

WINDOWS

Electric smoke and heat extraction and ventilation systems

Contents

Overview	04
Installation options	05

OPENING DRIVES

Chain drives

ECchain	08
Slimchain	14
Slimchain 230 V	29
Powerchain	42

Spindle drives

E 250 NT	54
E 350 N	62
E 1500 N	68
E 1500 S	75
E 3000	79

Electric linear and scissor drives

E 212	84
E 170	88
E 170/2	93
Variable cover for E 170	99

Fitting drive

F 1200+	101
---------	-----

LOCKING DRIVES

Power lock	112
------------	-----

OPENING AND LOCKING SYSTEMS

RWA 100 NT	118
RWA 105 NT	122
RWA 110 NT	127
RWA 100 in combination with Power lock	131

FRESH AIR SYSTEMS

RWA TÖ	136
RWA K 600 G	140
RWA K 600 T	146
RWA K 600 F	150

SMOKE AND HEAT EXTRACTION CONTROL PANEL

MBZ 300	156
THZ N4	164
THZ Comfort N4	167
Possible combinations of smoke and heat extraction control panels with on-site systems	170

VENTILATION CONTROL

IQ box KNX	174
IQ box Safety	177

ACCESSORIES

Smoke and heat extraction system (SHEV)	182
Ventilation	184
Sensors	188
Power supplies	190
Cable transitions	192
Surface-mounted housing	193
Marking / signalisation	194
Safety scissors	195
Synchronising units	198

SOFTWARE

WinCalc calculation programme	202
-------------------------------	-----

OVERVIEW

Chain drives				Spindle drives					Locking drives	Opening and locking systems				Electro-magnetic	linear and scissor drives	Fitting drive	Fresh air systems		
ECchain	Slimchain	Slimchain 230 V	Powerchain	E 250 NT	E 350 N	E 1500 N	E 1500 S	E 3000	Power lock	RWA 100 NT	RWA 105 NT	RWA 110 NT	RWA 100 with Power lock	RWA EM	E 212	E 170, E 170/2	F 1200+	RWA TÖ	RWA K 600

AREA OF APPLICATION

Natural ventilation	●	●	●	●	●	●	●	●	●	●	●	●	●	●	●	●	●	●	●	●
Smoke and heat extraction system (SHEV)		●		●		●	●	●	●	●	●	●	●	●					●	●
Natural smoke and heat exhaust ventilator (SHEV)		●		●			●	●	●	●	●	●	●							●

FUNCTION

Exhaust air (as smoke vent (natural smoke and heat exhaust ventilation device) or smoke extraction)		●		●		●	●	●	●	●	●	●	●	●						●
Fresh air		●		●		●			●	●	●	●	●	●					●	●

INSTALLATION LOCATION

Façade	●	●	●	●	●	●	●		●	●	●	●	●	●	●	●	●			●
Roof				●	●	●	●	●												● ³
Door																			●	●

LEAF TYPES

Bottom-hung leaf	●	●	●	●	●	●	●		●	●	●	●	●	●	●	●	●	●	●	●
Side-hung leaf	●	●	●	●	●	●	●		●	●	●	●	●	●						●
Top-hung leaf	●	●	●	●	●	●	●		●	●	●	●	●	●						●
Turn-and-tilt-leaf																		●		
Centre pivoted leaf				●					●											
Vertically centre pivoted leaf				●					●											
Skylight leaf				●	●	●	●	●	●											
Louvre window															● ⁶					
Projected top-hung leaf		●	●																	
Parallel opening window		●																		

TYPE OF OPENING

Inward opening	●	●	●	●	●	●	●		●	●	●		●	●	●	●	●	●	●	●
Outward opening	●	●	●	●	●	●	●	●				●	●						●	●

INSTALLATION OPTIONS

Frame	●	●	●	●	●	●	●	●	●	●		●	●	●	●	●			●	●
Leaf		●	●	●	●	●	●		●		●		●					●	●	●
Integrated		● ⁴	● ⁴																	

OPENING WIDTH [MM] / OPENING ANGLE [°]

200	300	200	600	100	100	300	500	500	22 ¹⁾	58 ¹⁾	75 ¹⁾	56 ¹⁾			170	180			90
400	500	300	800	150	150	400	750	750											
	800	500	1200	200	200	500	1000	1000											
		800		230	230	750													
				300	300	1000													
				500	500														
				750	700														
				1000	750														
					1000														

CONNECTION TO SMOKE AND HEAT EXTRACTION CONTROL PANELS

THZ N4/ THZ Comfort N4		●		●		●		●	●	●	●	●	●	● ²⁾					●	●
MBZ 300		●		●		●		●	●	●	●	●	●	● ²⁾					●	●

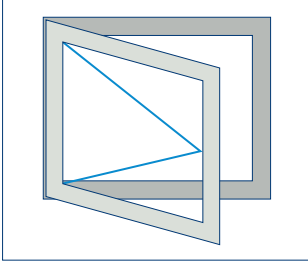
USE FOR VENTILATION 230 V

with power supply and IQ gear	●		●		●				●	●	●	●								
-------------------------------	---	--	---	--	---	--	--	--	---	---	---	---	--	--	--	--	--	--	--	--

1 = max. opening angle depending on window size | 2 = mode of operation 'hold-open magnet' | 3 = depending on particular application | 4 = special variant, separate planning, depends on profile | 5 = locking stroke | 6 = special solution

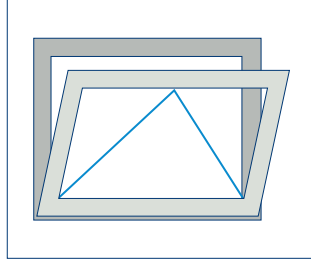
INSTALLATION OPTIONS

SIDE-HUNG LEAF INWARD OPENING



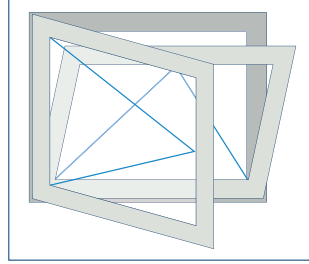
ECchain, Slimchain, Slimchain 230 V, Powerchain, E 250 NT, E 350 N, E 1500 N, Power lock, RWA 100 NT, RWA 105 NT, RWA 100 with Power lock, RWA K 600 G, RWA K 600 F

BOTTOM-HUNG LEAF INWARD OPENING



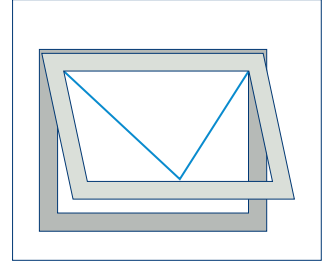
ECchain, Slimchain, Slimchain 230 V, Powerchain, E 250 NT, E 350 N, E 1500 N, F 1200+, Power lock, RWA 100 NT, RWA 105 NT, RWA 100 with Power lock, E 170, E 170/2, E 212, RWA K 600 G, RWA K 600 F

TURN-AND-TILT LEAF INWARD OPENING



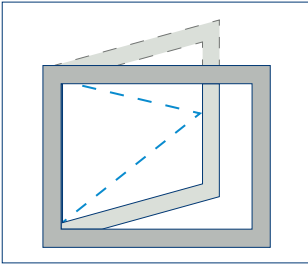
F 1200+

TOP-HUNG LEAF INWARD OPENING



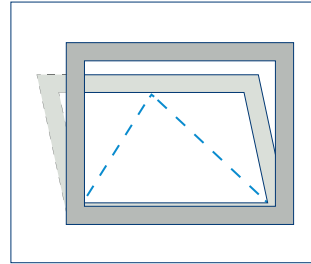
Slimchain, Slimchain 230 V, Powerchain, E 250 NT, E 350 N, E 1500 N, Power lock, RWA 100 NT, RWA 105 NT, RWA 100 with Power lock, RWA K 600 G, RWA K 600 F

SIDE-HUNG LEAF OUTWARD OPENING



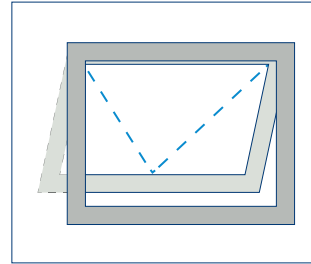
ECchain, Slimchain, Slimchain 230 V, Powerchain, E 250 NT, E 350 N, E 1500 N, RWA 110 NT, RWA K 600 G

BOTTOM-HUNG LEAF OUTWARD OPENING



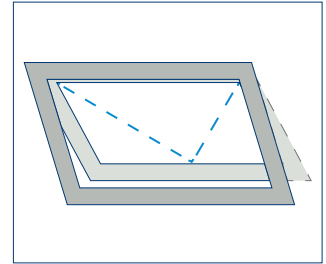
Slimchain, Slimchain 230 V, Powerchain, E 250 NT, E 350 N, E 1500 N, RWA 110 NT, RWA K 600 G

TOP-HUNG LEAF OUTWARD OPENING



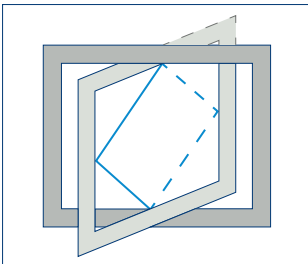
ECchain, Slimchain, Slimchain 230 V, Powerchain, E 250 NT, E 350 N, E 1500 N, RWA 110 NT, RWA K 600 G

SKYLIGHT LEAF OUTWARD OPENING



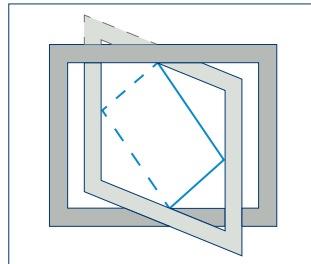
Powerchain, E 250 NT, E 350 N, E 1500 N, E 1500 S, E 3000

VERTICALLY CENTRE PIVOTED LEAF LEFT INWARD OPENING



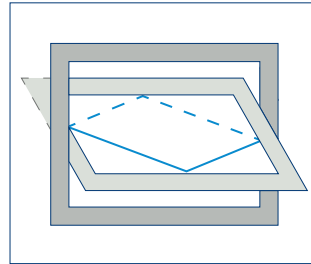
Powerchain, Power lock, Special windows on request

VERTICALLY CENTRE PIVOTED LEAF RIGHT INWARD OPENING



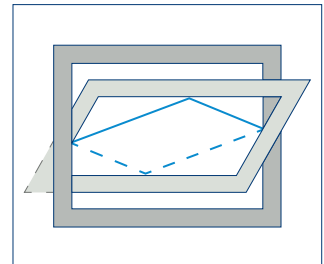
Powerchain, Power lock

CENTRE PIVOTED LEAF BOTTOM INWARD OPENING



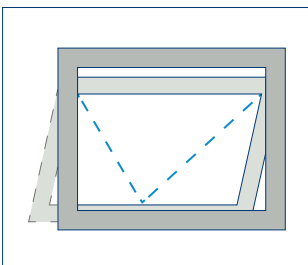
Powerchain, Power lock

CENTRE PIVOTED LEAF BOTTOM OUTWARD OPENING



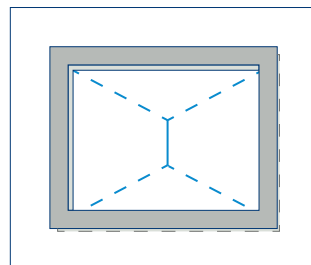
Powerchain

PROJECTED TOP-HUNG LEAF OUTWARD OPENING



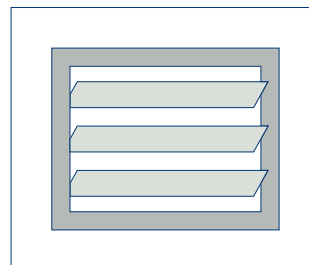
Slimchain, Slimchain 230 V

PARALLEL OPENING WINDOW OUTWARD OPENING



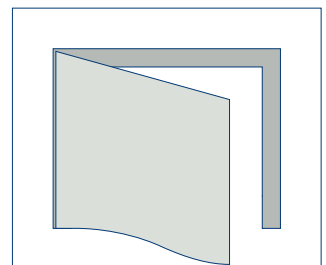
Slimchain

LOUVRE WINDOW



E 212 (special solution)

DOOR



RWA K 600 T, RWA TÖ



WINDOWS

Opening drives

Electric opening drives take the hassle out of opening and closing windows. Especially when mechanical ventilation demands too much manual force or is not possible at all. Opening drives for windows offer both: safety in case of danger and ventilation comfort in everyday life. Automated windows with chain or spindle drives serve as smoke and heat extraction exhaust air opening in case of fire. As a side effect, they serve the purpose of providing controlled daily ventilation and take on the function of a window ventilation system.



ECchain



Chain drive with universal brackets
for simple automation in ventilation mode

AREAS OF APPLICATION

- Natural ventilation (230 V) also for private residential construction
- Inward and outward-opening bottom-hung, top-hung and side-hung windows
- Installation on wooden, PVC or aluminium windows
- Frame installation

PRODUCT FEATURES

- Cost-effective and powerful chain drive for 230 V ventilation applications
- Variable stroke adjustment to 200 mm or 400 mm possible for different ventilation requirements
- Universal mountings and brackets for standard profile systems available on the market
- Fast and simple installation
- Can be used variably on small fanlights

TECHNICAL DATA

ECchain

GENERAL

Length	with bracket 409 mm, without bracket 390 mm
Height	44 mm
Depth	63 mm
Space needed on frame (min.)	Frame installation inward opening: 55 mm, frame installation outward opening: 35 mm
Space needed on leaf (min.)	Frame installation inward opening: 37 mm, frame installation outward opening: 20 mm

SPECIFICATIONS

Possible stroke lengths	200 mm, 400 mm
Stroke length selectable	yes, stroke 200 or stroke 400 mm depending on cable connection
Opening speed ventilation	9 mm/s
Closing speed	9 mm/s
Pulling force (max.)	250 N
Compressive force (max.)	250 N
Holding force (max.)	1800 N
Leaf weight (max.)	200 kg *
Overlap range	10 – 23 mm

ELECTRICAL DATA

Operating voltage	230 V ± 10 %
Current consumption	0.13 A
Duty rating	30 %
Length of connector cable	2 m
Cable dimensions	4 x 0.75 mm ²
Temperature range	-5 – 60 °C
IP rating / protection class	IP30 / II

FUNCTIONS

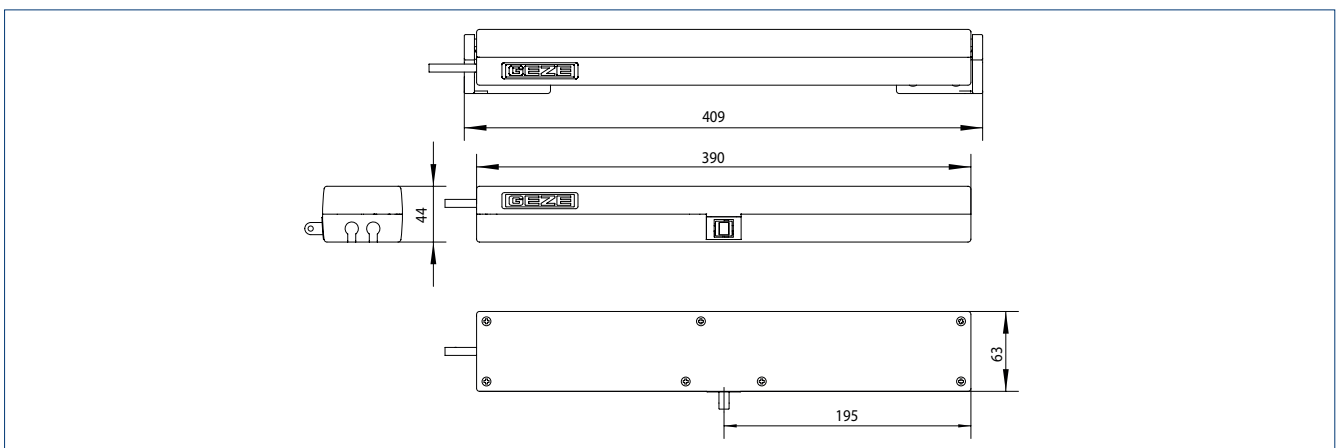
End position cut-off extended	Limit switch
End position cut-off retracted	electric, electronic via current consumption
Overload cut-off	●

TYPES OF INSTALLATION

Bottom-hung window	inward opening	Frame
Side-hung window	inward opening	Frame
	outward opening	Frame
Top-hung window	outward opening	Frame

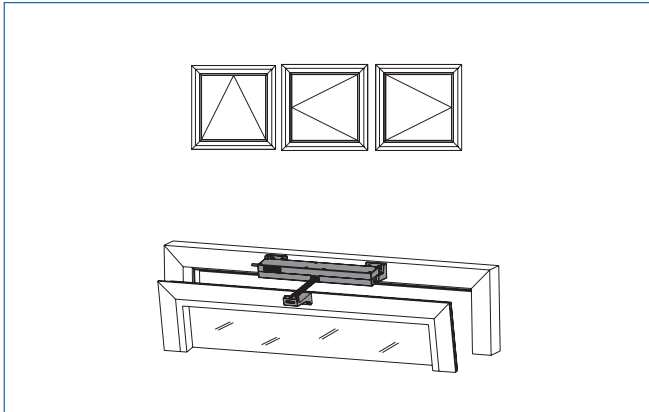
● = YES | * The overall weight is limited by the hinges and depends on the details provided by the profile system manufacturer

PRODUCT SCALE DRAWING

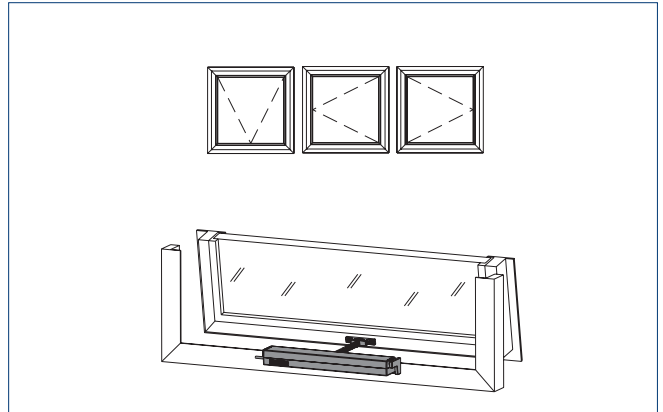


TYPES OF INSTALLATION

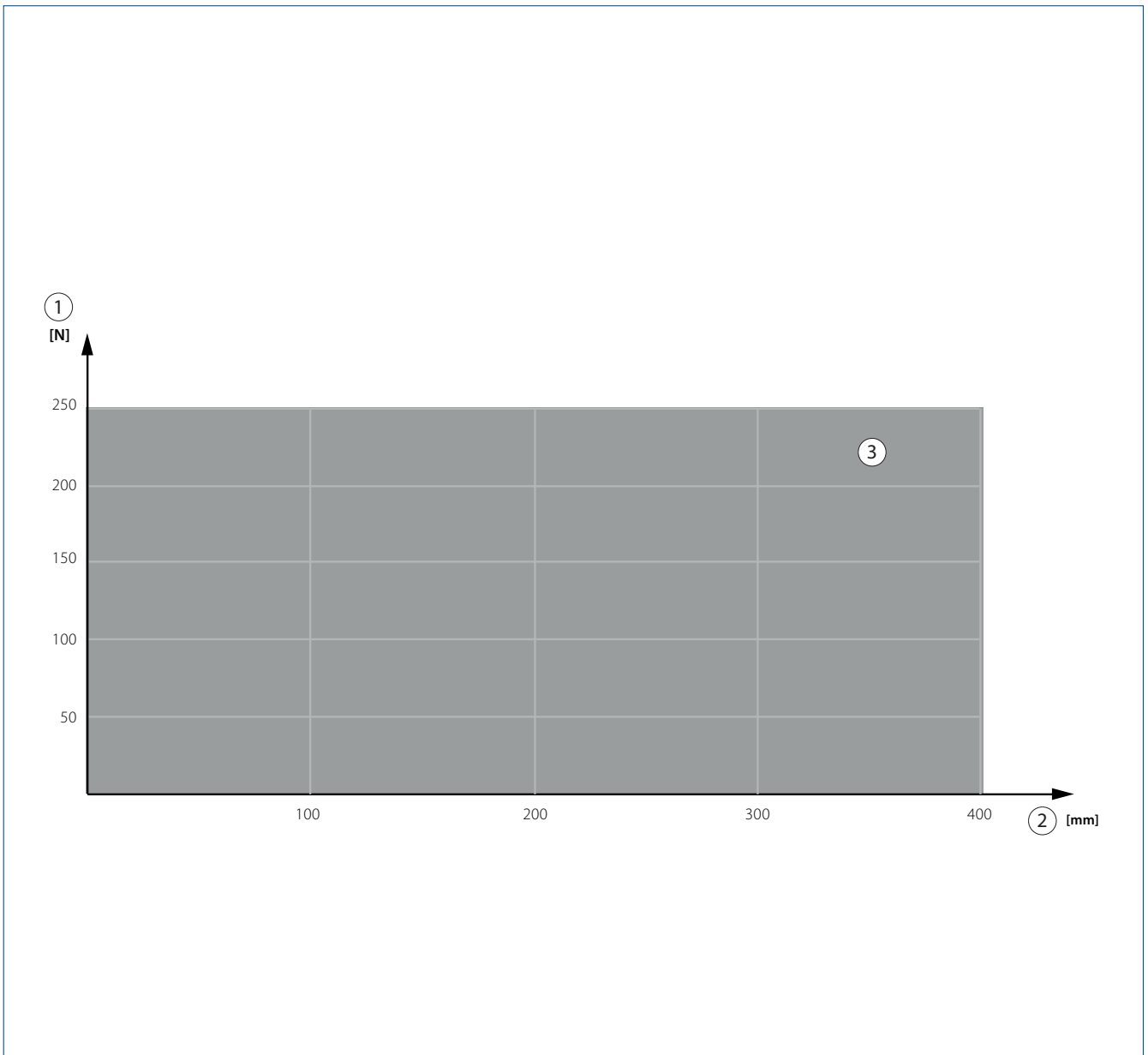
Frame installation
INWARD opening



Frame installation
OUTWARD opening

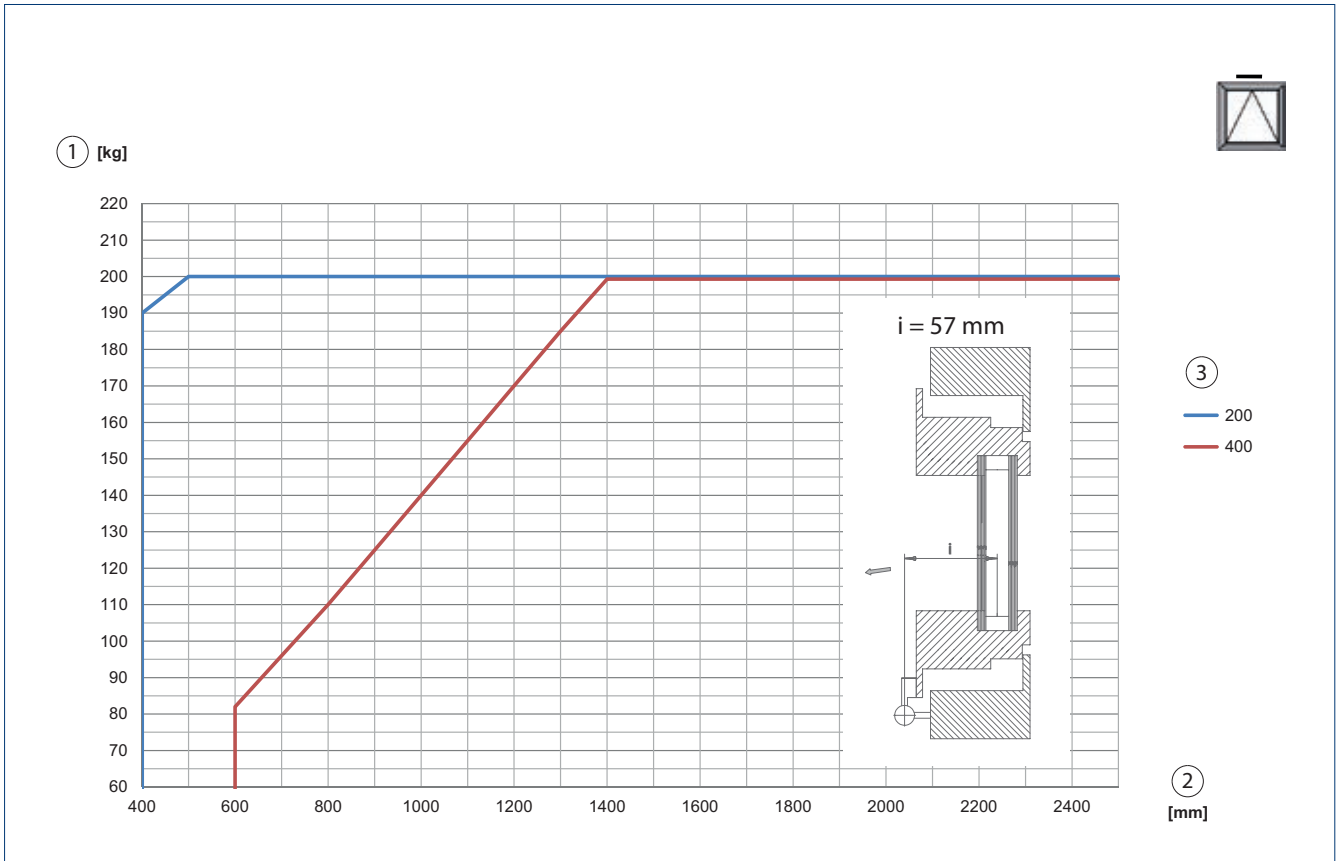


FORCE-PATH CHART



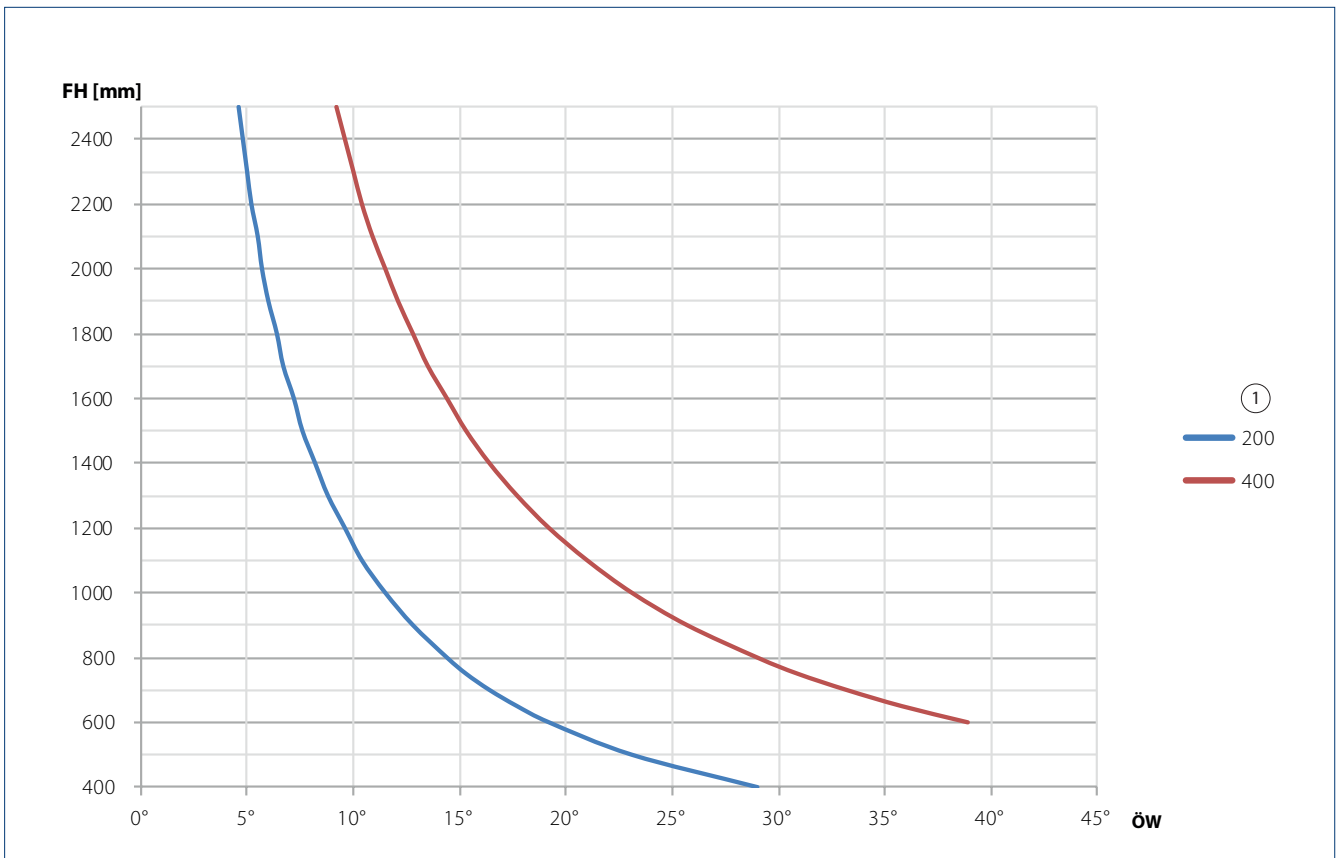
1 = Force | 2 = Stroke | 3 = Tension / pressure

AREA OF APPLICATION BOTTOM-HUNG WINDOW FRAME INSTALLATION INWARD OPENING



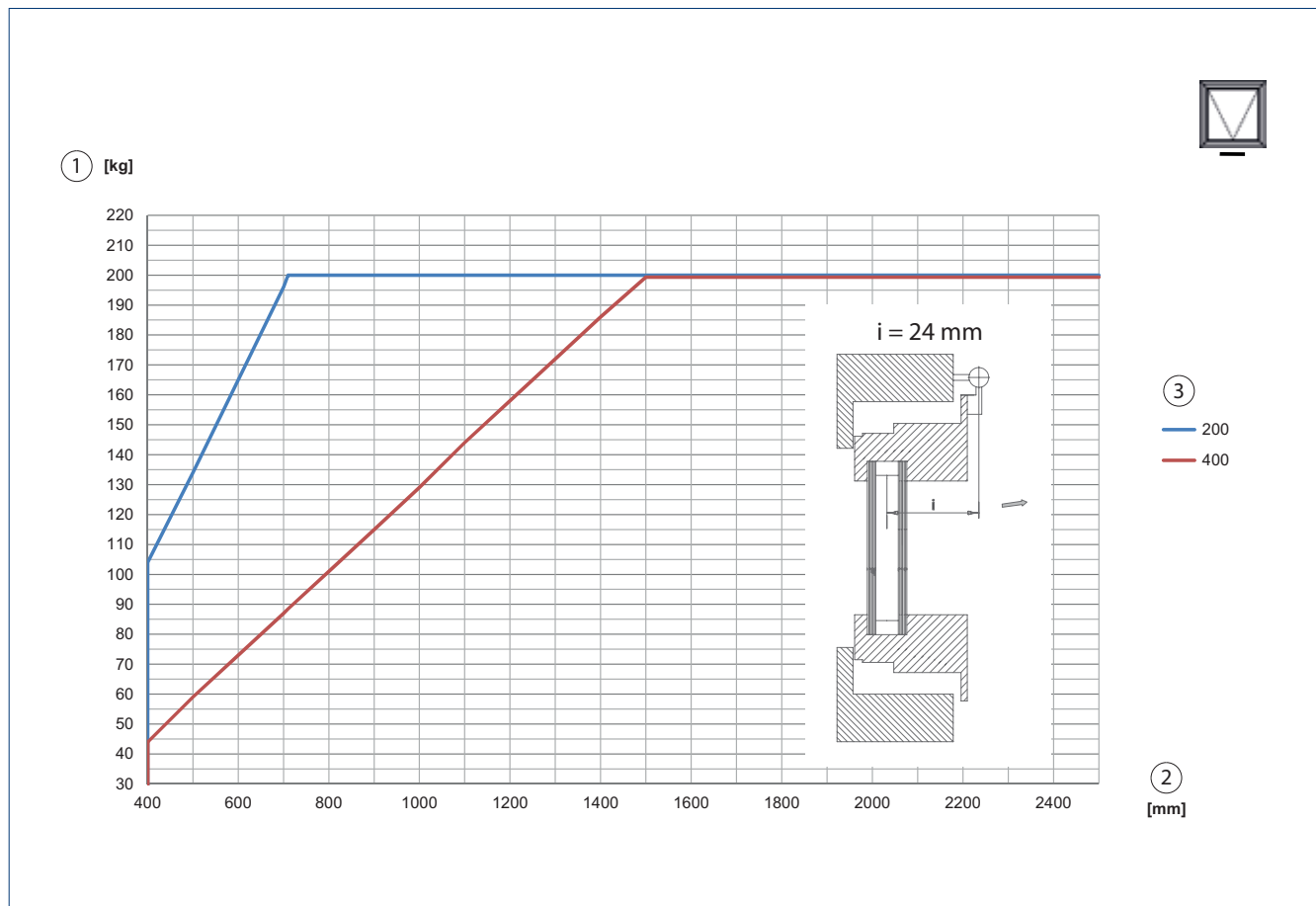
1 = Leaf weight | 2 = Secondary closing edge | 3 = Stroke

OPENING ANGLE BOTTOM-HUNG WINDOW FRAME INSTALLATION INWARD OPENING



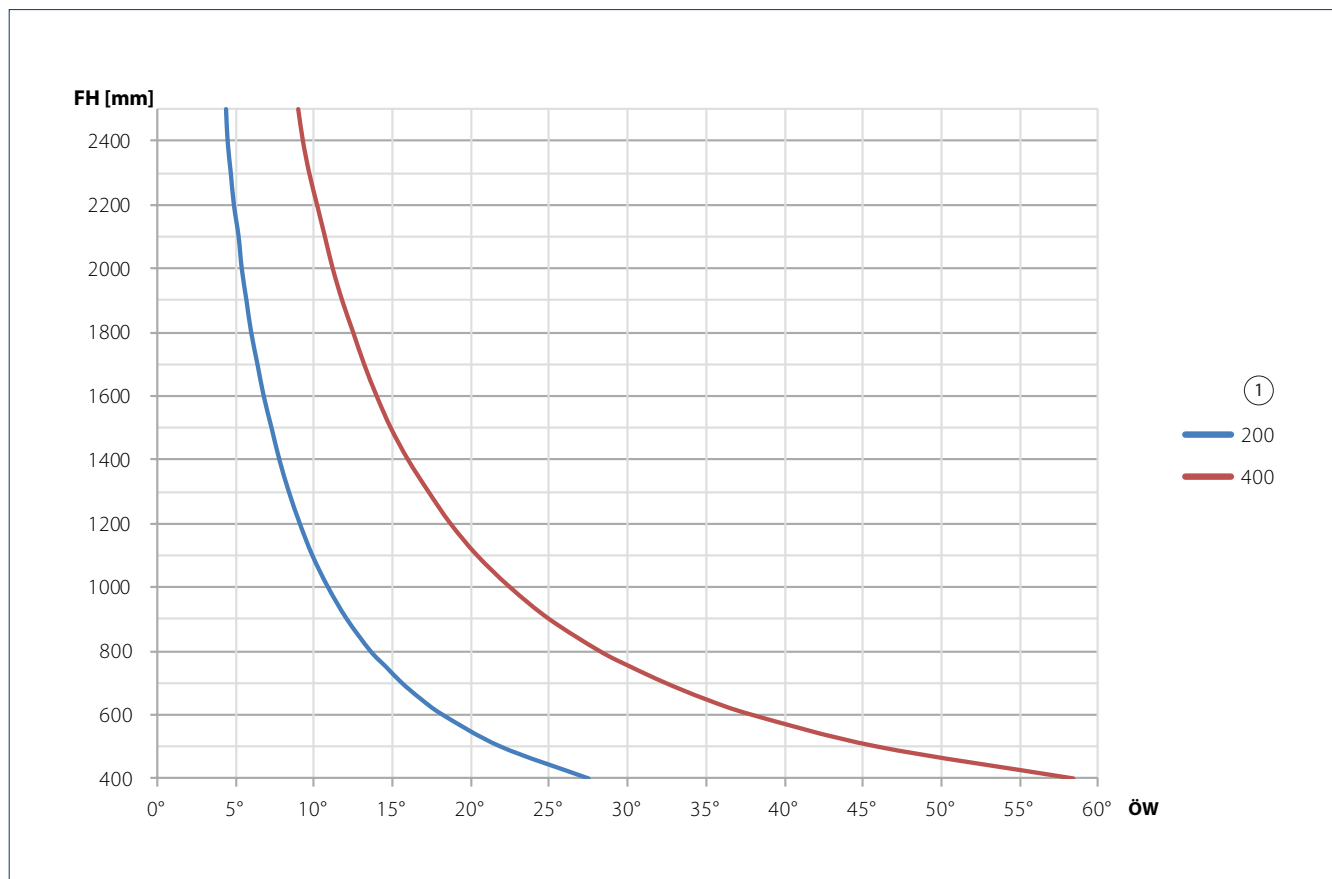
FH = Leaf height | öw = Opening angle | 1 = Stroke

AREA OF APPLICATION TOP-HUNG WINDOW FRAME INSTALLATION OUTWARD OPENING



1 = Leaf weight | 2 = Secondary closing edge | 3 = Stroke

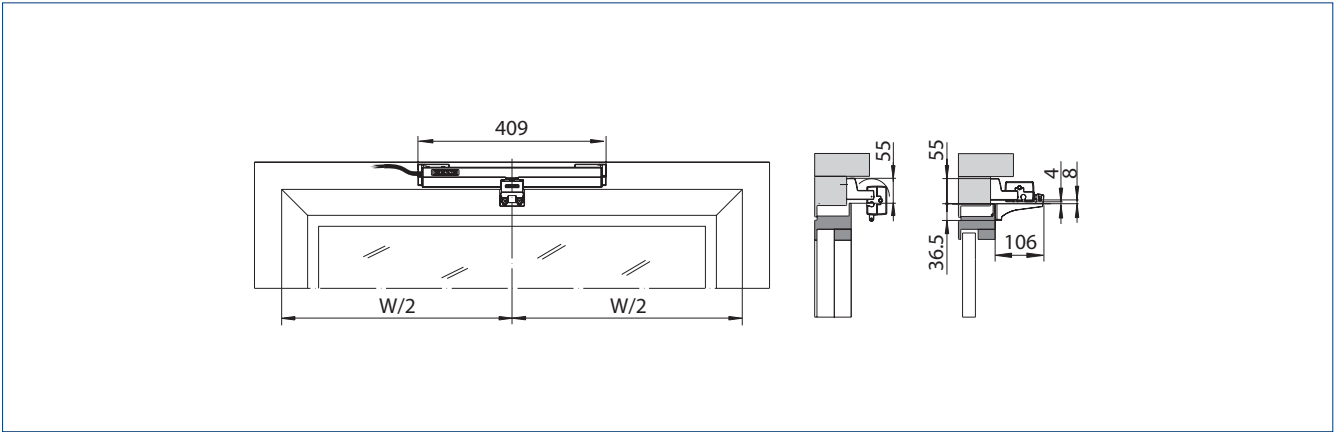
OPENING ANGLE TOP-HUNG WINDOW FRAME INSTALLATION OUTWARD OPENING



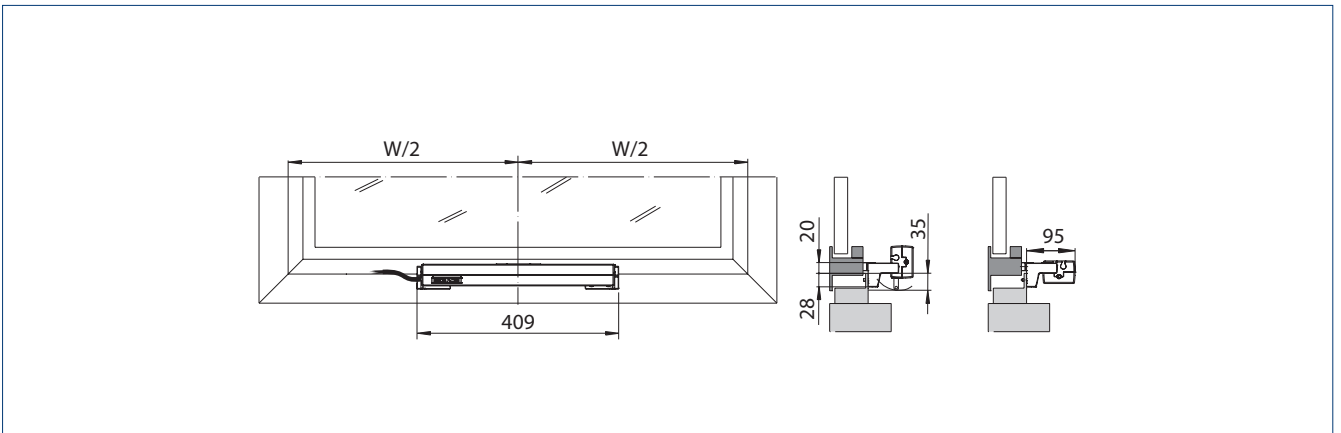
FH = Leaf height | ÖW = Opening angle | 1 = Stroke

SPACE NEEDED

SPACE NEEDED FOR FRAME INSTALLATION INWARD OPENING

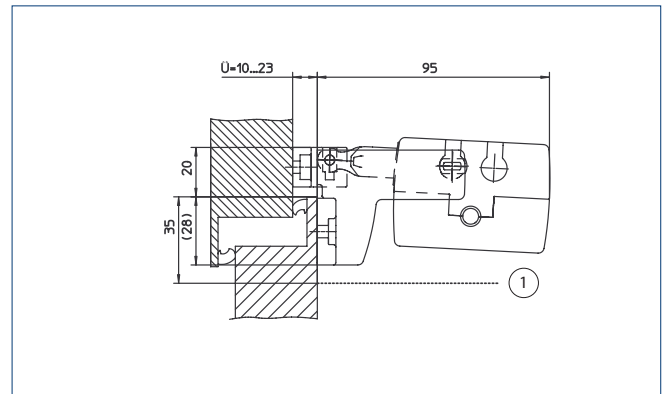
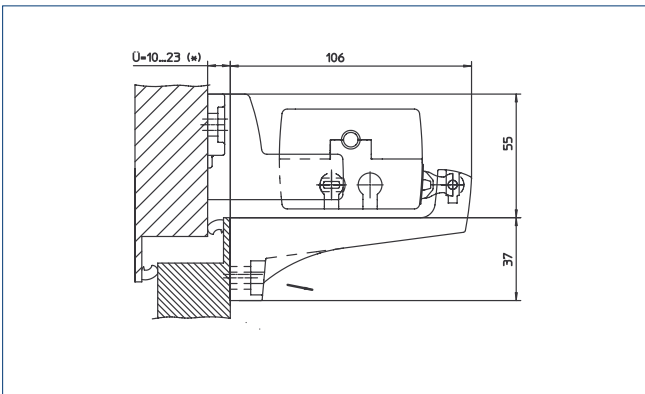


SPACE NEEDED FOR FRAME INSTALLATION OUTWARD OPENING



Frame installation
INWARD opening

Frame installation
OUTWARD opening



→ **Note:** The space needed for the drive depends on the type of installation.
U = Overlap range | 1 = Swivelling range

ORDER INFORMATION

Designation

ECchain including bracket for inward opening and outward opening

Version

white
black
grey

ID no.

148260
148258
148259

ACCESSORIES

Safety scissors no. 35

galvanised

014499

Safety scissors no. 60

galvanised

133814

→ **Note:** For product liability reasons, when using a chain drive on a bottom-hung window, GEZE prescribes the use of separate 'GEZE safety scissors'. The GEZE safety scissors ensure that a permanent fixed connection between the frame and leaf is guaranteed – independently of the drive.

Slimchain



Chain drive in an attractive design with numerous possible applications in 24 V finish

AREAS OF APPLICATION

- Smoke and heat extraction system and natural ventilation (24 V) in the façade area
- Can be used in the exhaust air and air intake
- Inward and outward-opening windows with bottom-hung, top-hung and side-hung leaves
- Projected top hung and parallel opening window
- Installation on wooden, PVC or metal windows
- Leaf, frame or integrated installation
- System solution in combination with the Power lock locking drive

PRODUCT FEATURES

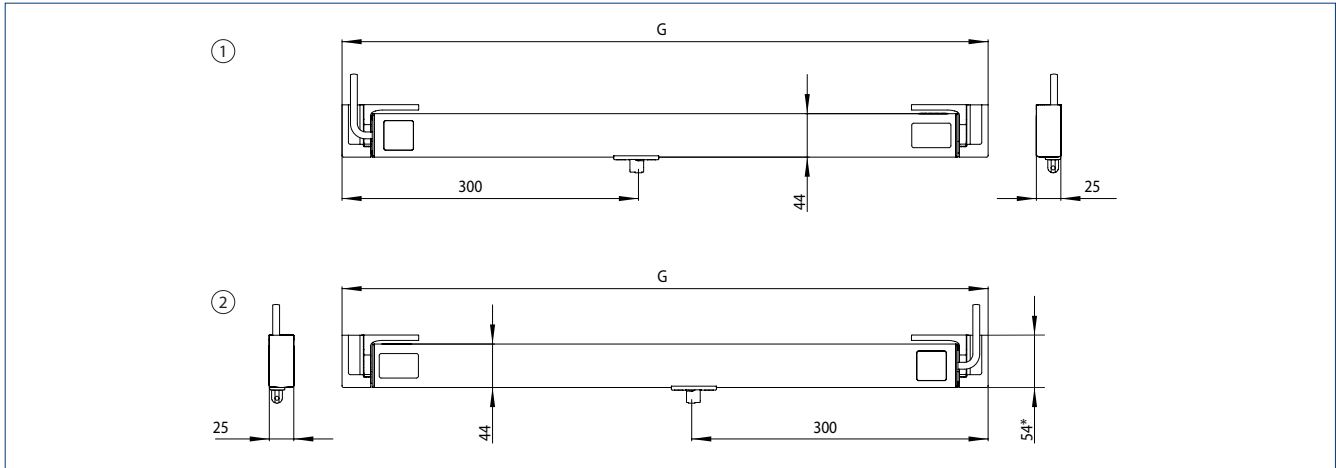
- Slim and discreet appearance integrates perfectly into the façade design
- Drive stroke and individual speeds with variable adjustment for ventilation and smoke and heat extraction
- Available as special version – stroke, cable length, colour and alignment configurable to DIN left/right
- Synchronisation of max. four drives without external control unit
- DIP switches for changing over the mode of operation (Solo and Syncro, master, slave)
- Simple and fast installation with the Smart fix installation system
- IQ windowdrive – intelligent drive control
- Tested as natural smoke and heat exhaust ventilation device in accordance with EN 12101-2

TECHNICAL DATA

		Slimchain
GENERAL		
Length	Stroke 300: 560 mm, stroke 500: 660 mm, stroke 800: 810 mm (each with brackets)	
Height	25 mm	
Depth	44 mm	
Space needed on frame (min.)	Frame installation inward opening: 40 mm, leaf installation inward opening: 16/21 mm, frame installation outward opening: 31 mm	
Space needed on leaf (min.)	Frame installation inward opening: 40 mm, leaf installation inward opening: 34/29 mm, Frame installation outward opening: 19 mm	
SPECIFICATIONS		
Possible stroke lengths	300 mm, 500 mm, 800 mm	
Factory presetting:	Ventilation stroke 300 mm (slow speed), Alarm stroke full opening width (fast speed)	
Opening speed smoke and heat extraction	15 mm/s	
Opening speed ventilation	5 mm/s	
Closing speed	5 mm/s	
Pulling force (max.)	300 N	
Compressive force (max.)	100 N (depending on stroke), see force-path chart	
Holding force (max.)	2000 N	
Leaf weight (max.) ¹⁾	200 kg	
Overlap range ²⁾	0 – 23 mm	
ELECTRICAL DATA		
Operating voltage	24 V ± 25%	
Current consumption	Ventilation (24 V): 0.9 A; SHEV (18 V): 1.1 A	
Power consumption (max.)	20 W	
Duty rating	30 %	
Length of connector cable	2 m	
Special length of connector cable	5 m, 7.5 m	
Cable dimensions	4 x 0.75 mm ²	
Temperature range	-5 – 70 °C	
IP rating / protection class	IP40 / III	
FUNCTIONS		
Stroke length settable	●	
Syncro function	●	
Opening speed settable (ventilation)	●	
Additional locking mechanism available	●	
Type of additional locking mechanism (max.)	2 locking drives	
Type of stroke shortening	Synchronising unit, factory setting	
End position cut-off extended	electronically via internal pathfinder	
End position cut-off retracted	electric, electronic via current consumption	
Overload cut-off	●	
Complete opening within 60 s	yes, including locking drive	
Natural smoke and heat exhaust ventilation device tested	●	
Synchronisation (max.)	4 drives	
TYPES OF INSTALLATION		
Bottom-hung window	inward opening outward opening	Frame / leaf Frame
Side-hung window	inward opening outward opening	Frame / leaf Frame
Top-hung window	inward opening outward opening	Frame / leaf Frame
Projected top-hung window	outward opening	Frame
Parallel opening window	outward opening	Frame

● = YES | 1 = The total weight is limited by the hinges and depends on the details provided by the profile system manufacturer. | 2 = Depending on the application and the bracket set

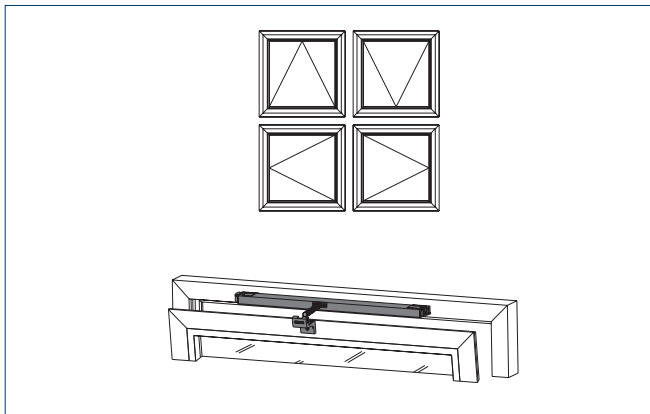
PRODUCT SCALE DRAWING



G = Length I 1 = GEZE Slimchain L I 2 = GEZE Slimchain R I * = Bracket set A

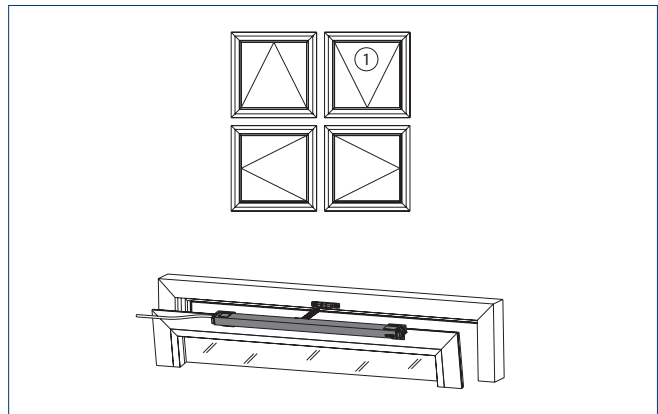
TYPES OF INSTALLATION

Frame installation
INWARD opening



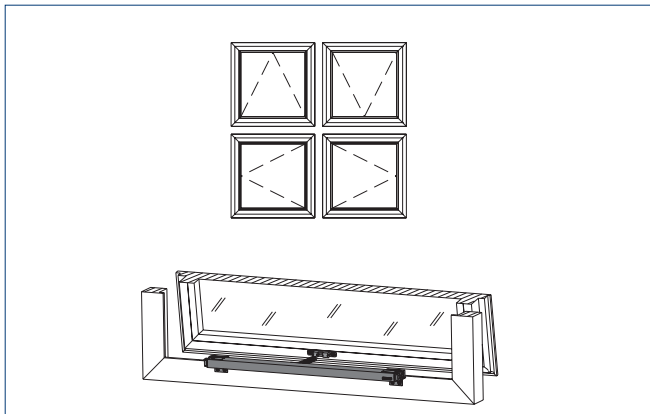
Bracket set A

Leaf installation
INWARD opening



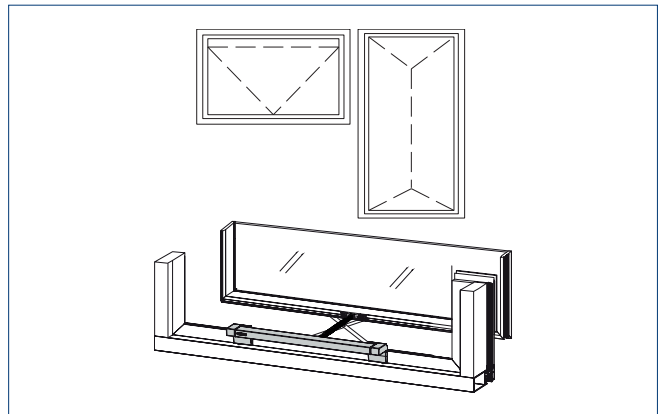
Bracket set B I 1 = on request

Frame installation
OUTWARD opening



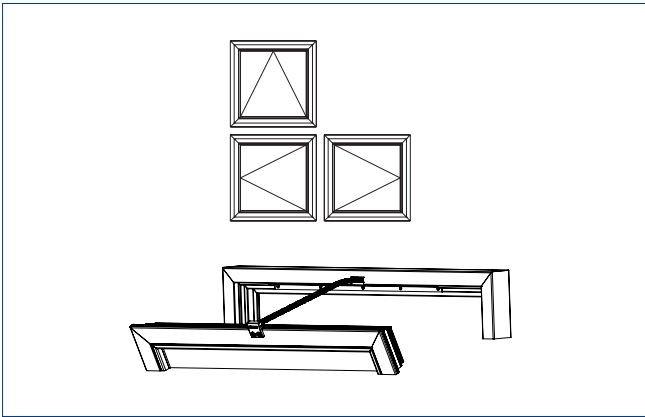
Bracket set B

Frame installation
OUTWARD opening
projected top-hung window/parallel opening window



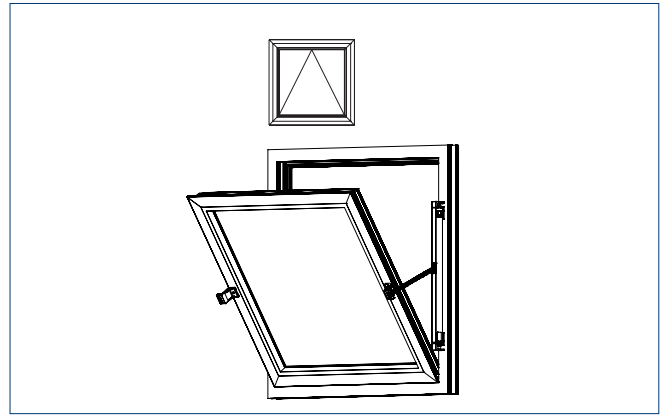
Bracket set P

Integrated installation
 Frame installation, INWARD opening



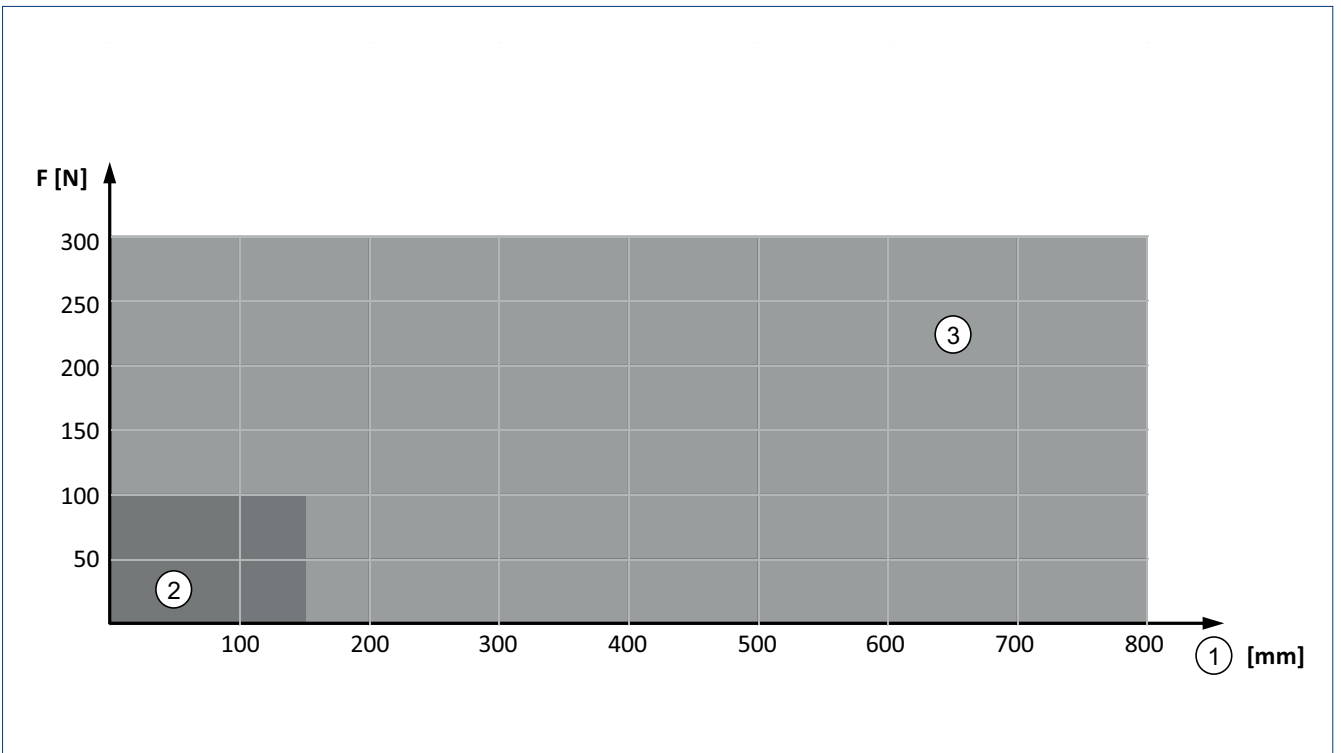
Bracket set C

Drawbridge installation
 Frame installation, INWARD opening



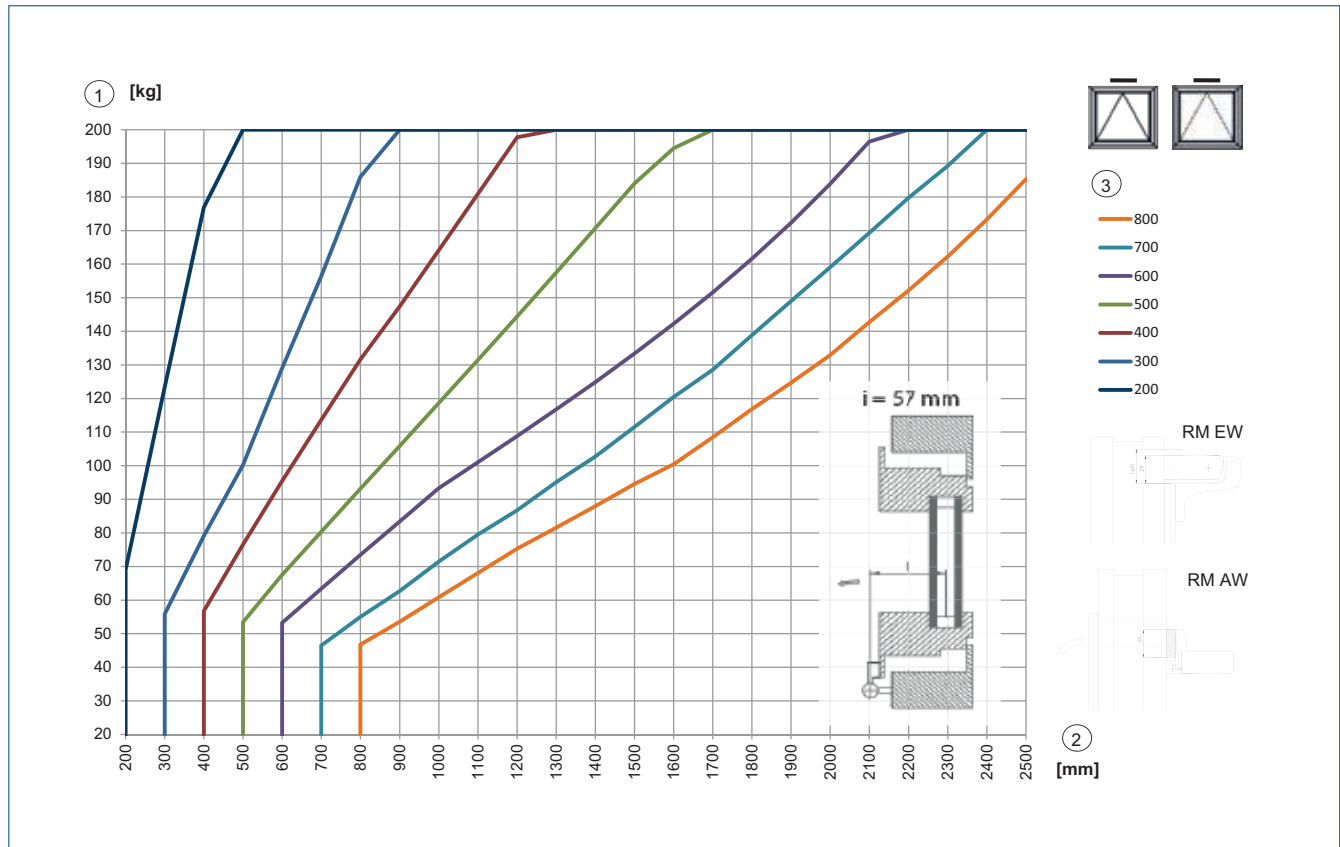
Bracket set A

FORCE-PATH CHART



F = Force | 1 = Stroke | 2 = Pressure | 3 = Tension

AREA OF APPLICATION BOTTOM-HUNG WINDOW FRAME INSTALLATION INWARD OPENING (DRIVE CAN BE SWIVELLED) / BOTTOM-HUNG WINDOW FRAME INSTALLATION OUTWARD OPENING (DRIVE CAN BE SWIVELLED)

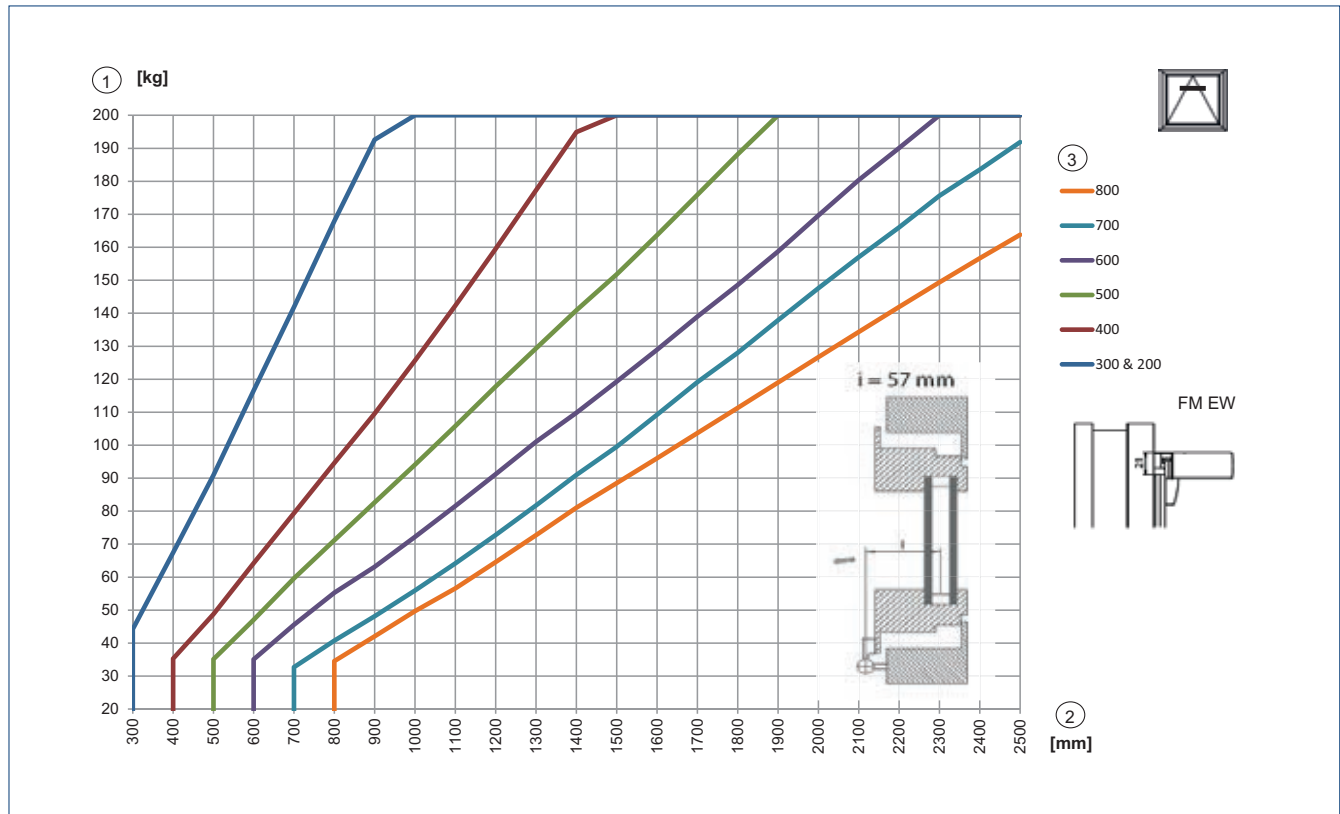


Area of application applies for one Solo drive, for Syncro 2 or Syncro 3 the leaf weight can be doubled or tripled.

The details provided by the profile system manufacturer must be heeded.

1 = Leaf weight | 2 = Secondary closing edge | 3 = Stroke [mm] | RM EW = frame installation INWARD opening | RM AW = frame installation OUTWARD opening

AREA OF APPLICATION BOTTOM-HUNG WINDOW LEAF INSTALLATION INWARD OPENING (DRIVE CANNOT BE SWIVELLED) AND FOR INTEGRATED INSTALLATION

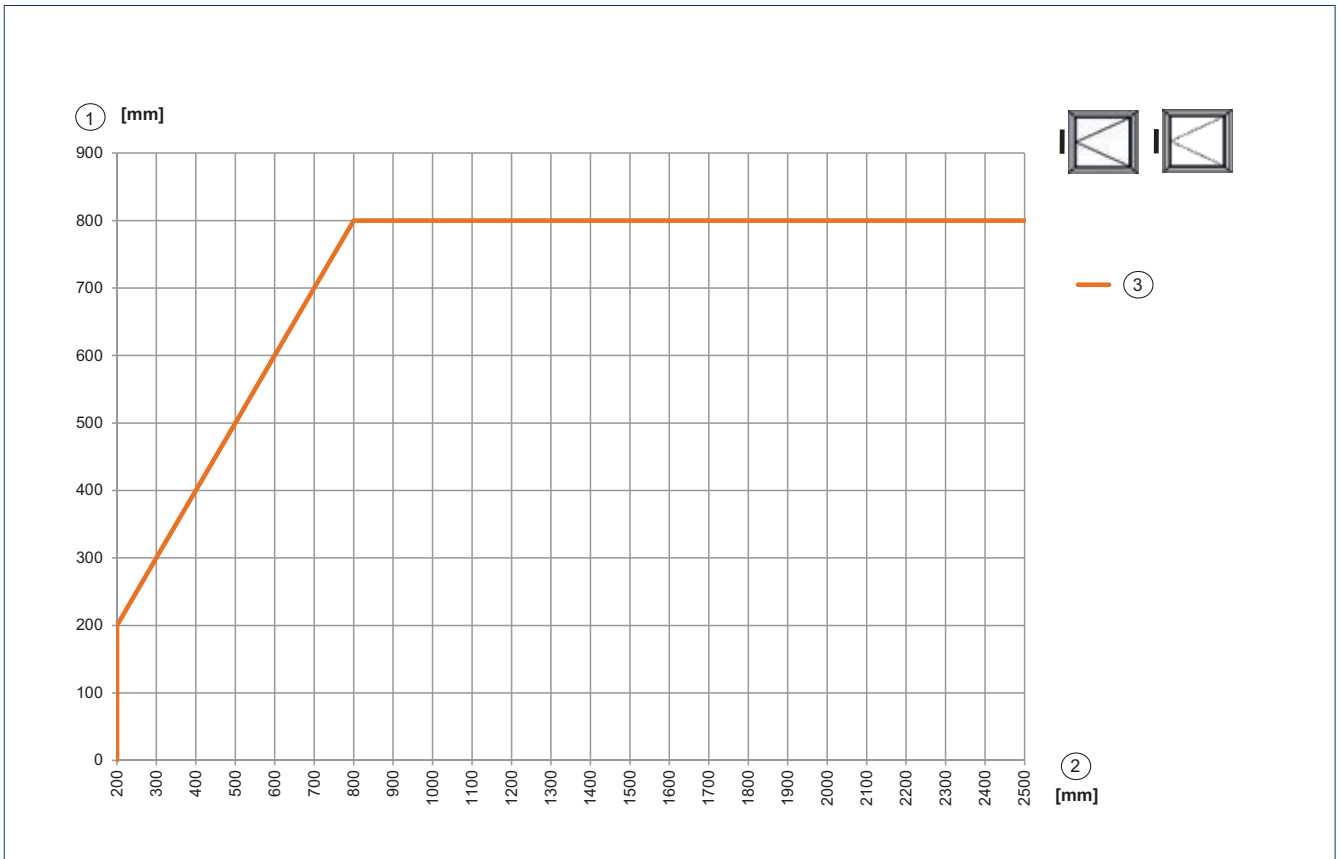


Area of application applies for one Solo drive, for Syncro 2 or Syncro 3 the leaf weight can be doubled or tripled.

The details provided by the profile system manufacturer must be heeded.

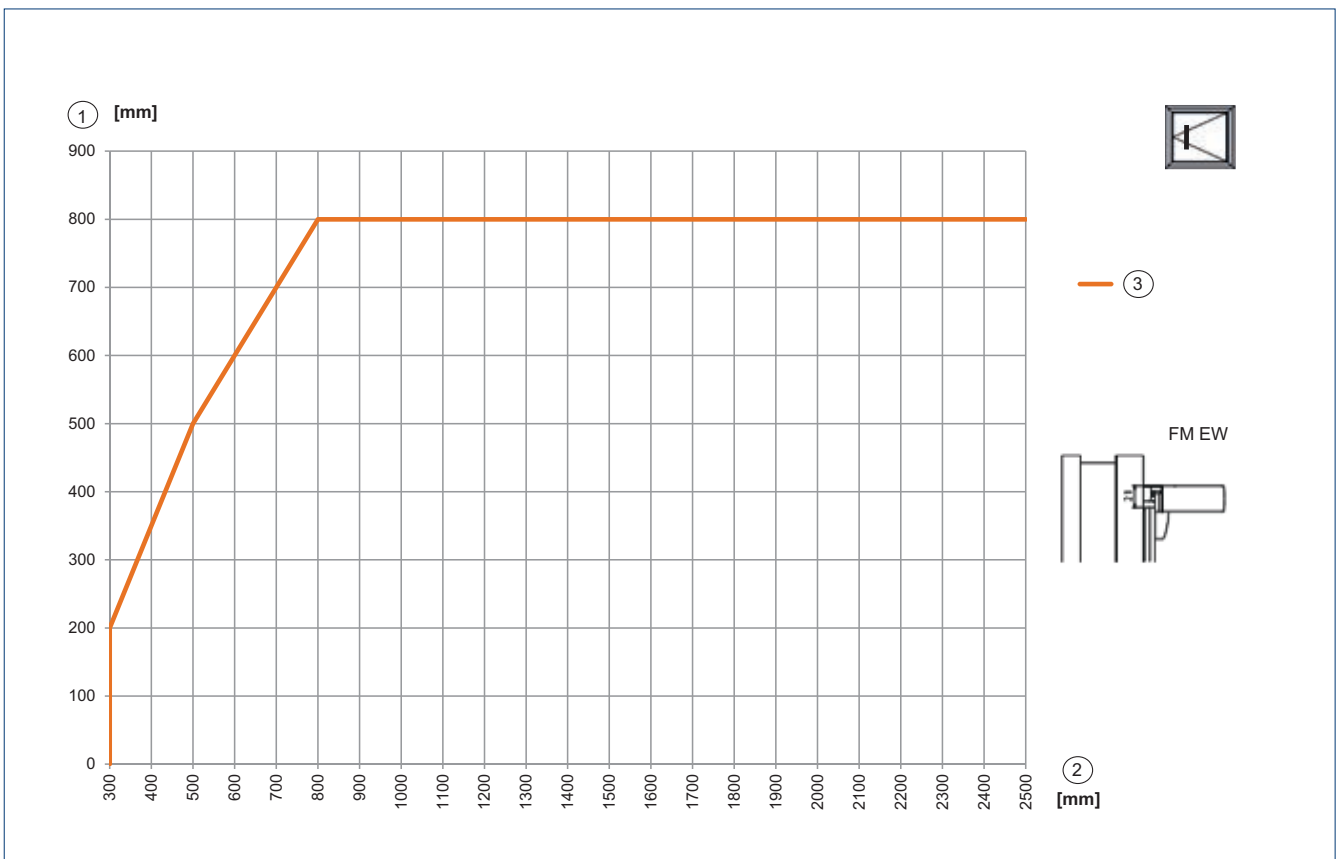
1 = Leaf weight | 2 = Secondary closing edge | 3 = Stroke [mm]

MINIMUM LEAF WIDTH SIDE-HUNG WINDOW FRAME INSTALLATION INWARD OPENING / SIDE-HUNG WINDOW FRAME INSTALLATION OUTWARD OPENING (DRIVE CANNOT BE SWIVELLED)



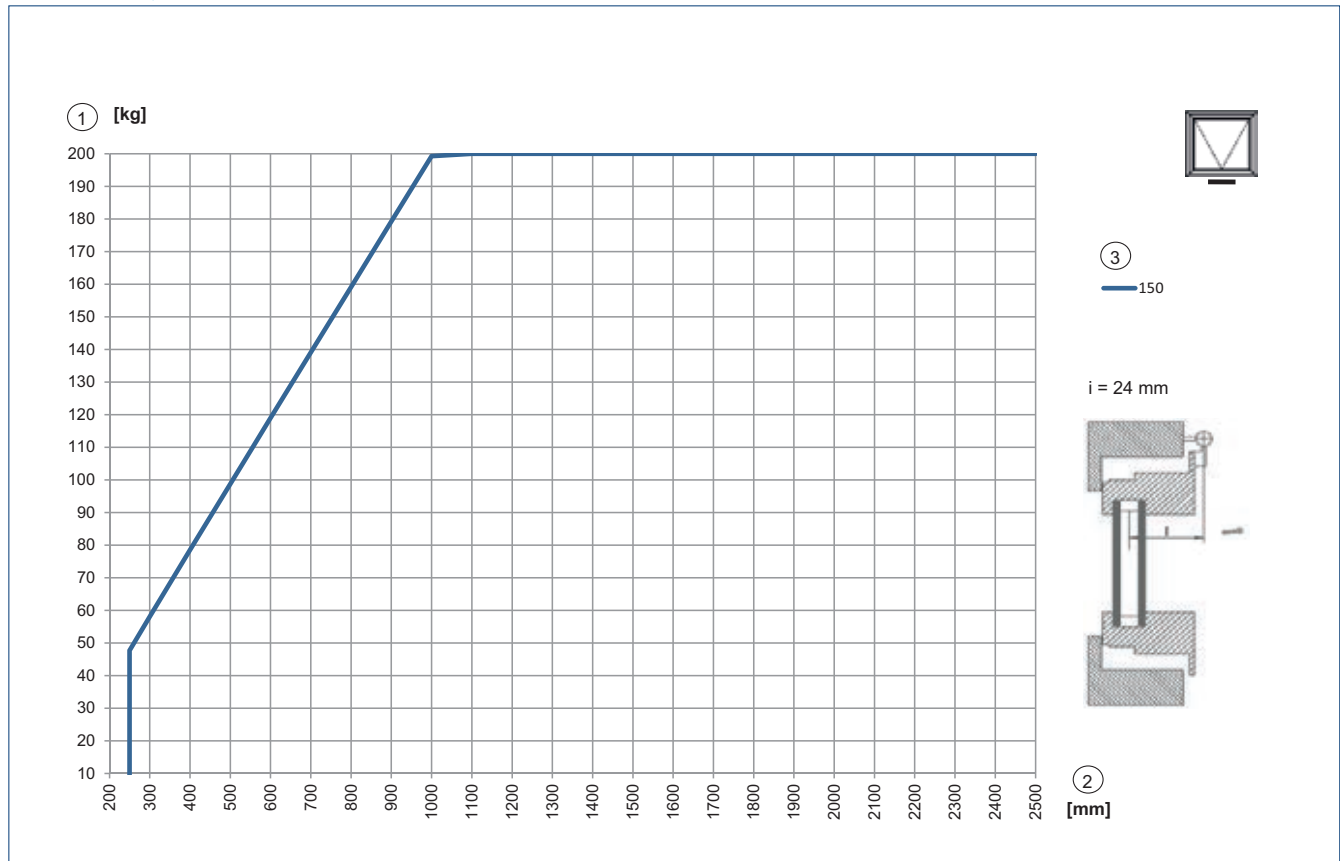
1 = Stroke | 2 = Secondary closing edge | 3 = Alarm and ventilation

MINIMUM LEAF WIDTH SIDE-HUNG WINDOW LEAF INSTALLATION INWARD OPENING (DRIVE CANNOT BE SWIVELLED) AND FOR INTEGRATED INSTALLATION



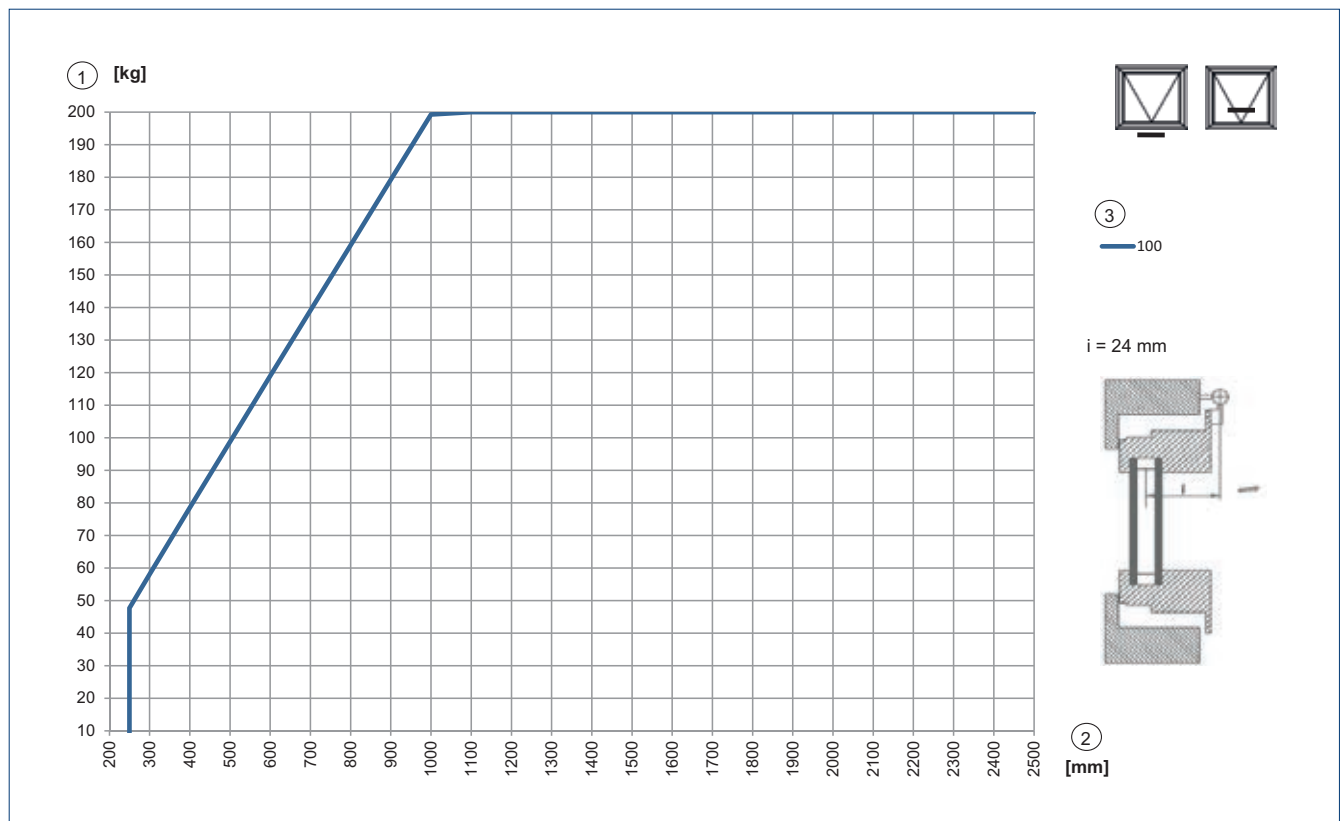
1 = Stroke | 2 = Secondary closing edge | 3 = Alarm and ventilation

AREA OF APPLICATION TOP-HUNG WINDOW FRAME INSTALLATION OUTWARD OPENING (DRIVE CAN BE SWIVELLED)



Area of application applies for one Solo drive, for Syncro 2 or Syncro 3 the leaf weight can be doubled or tripled.
 The details provided by the profile system manufacturer must be heeded.
 1 = Leaf weight | 2 = Secondary closing edge | 3 = Stroke [mm]

AREA OF APPLICATION TOP-HUNG WINDOW FRAME INSTALLATION INWARD OPENING (DRIVE CAN BE SWIVELLED) / TOP-HUNG WINDOW LEAF INSTALLATION INWARD OPENING (DRIVE CANNOT BE SWIVELLED) AND FOR INTEGRATED INSTALLATION



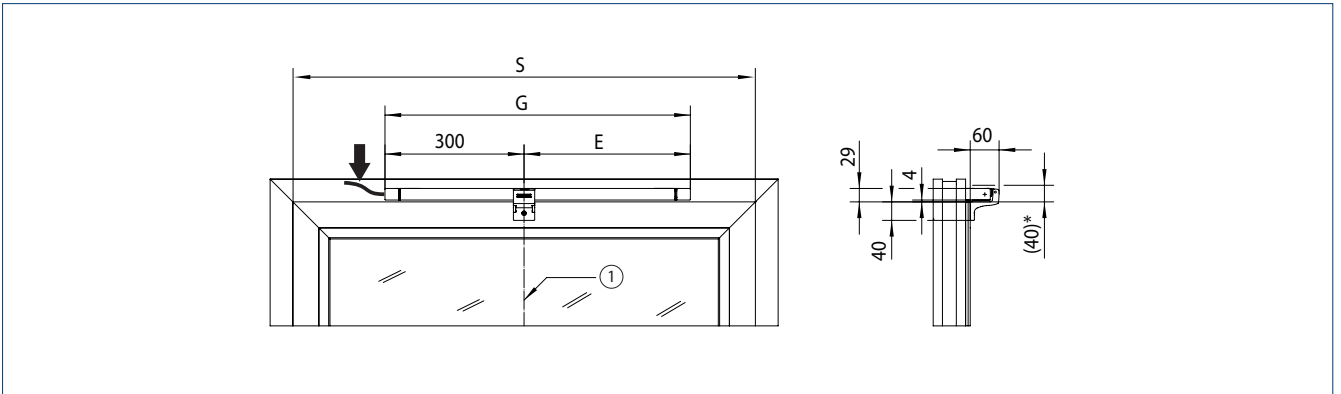
1 = Leaf weight | 2 = Secondary closing edge | 3 = Stroke [mm]

SPACE NEEDED

Stroke	E [mm]	G [mm]	S [mm]
300	260	560	600
500	360	660	720
800	510	810	1020

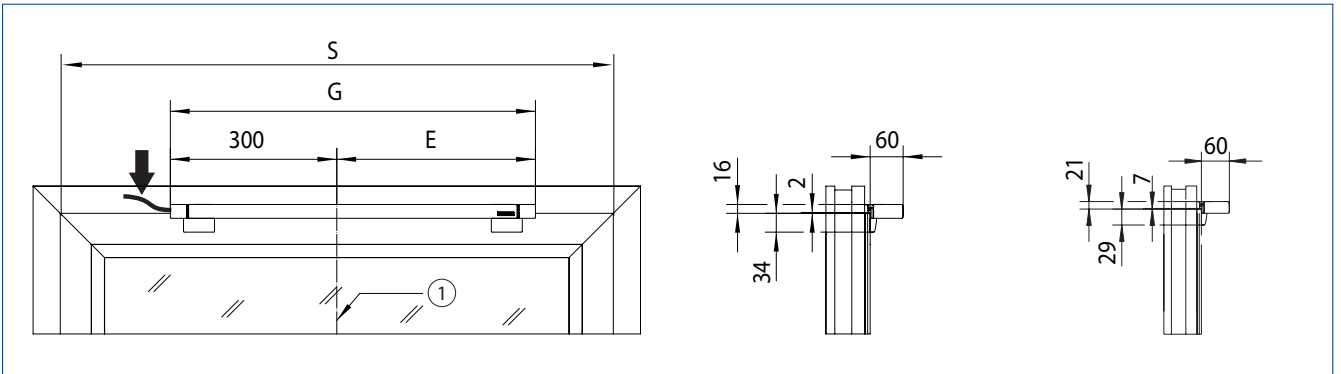
→ **Note:** Illustrations with cable side left, cable side right is reversed.

SPACE NEEDED FOR FRAME INSTALLATION INWARD OPENING



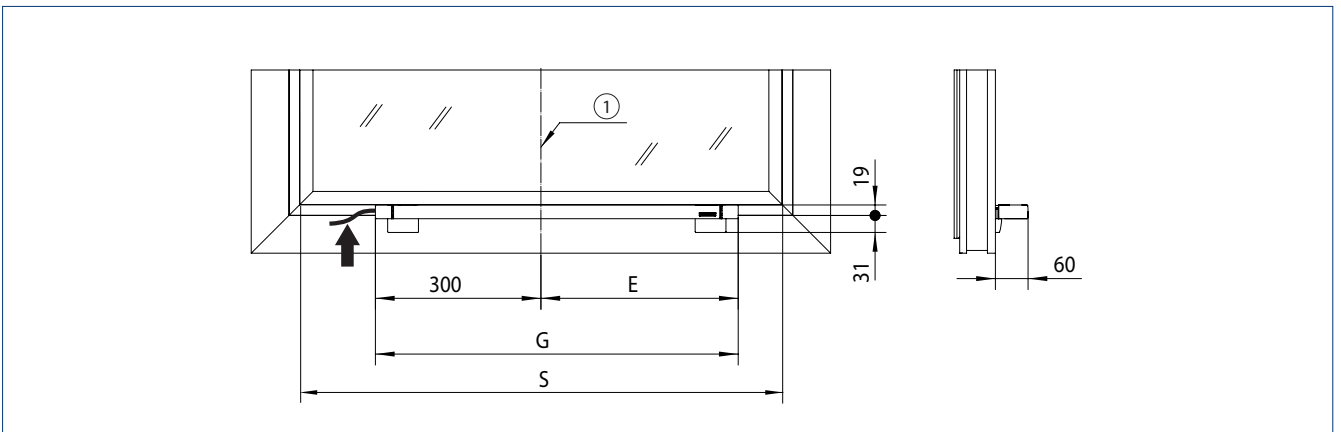
See table for dimensions for E, G and S
1 = Centre of window | * = Swivelling range

SPACE NEEDED FOR LEAF INSTALLATION INWARD OPENING



Dimensions for E, G and S see table | 1 = Centre of window

SPACE NEEDED FOR FRAME INSTALLATION OUTWARD OPENING

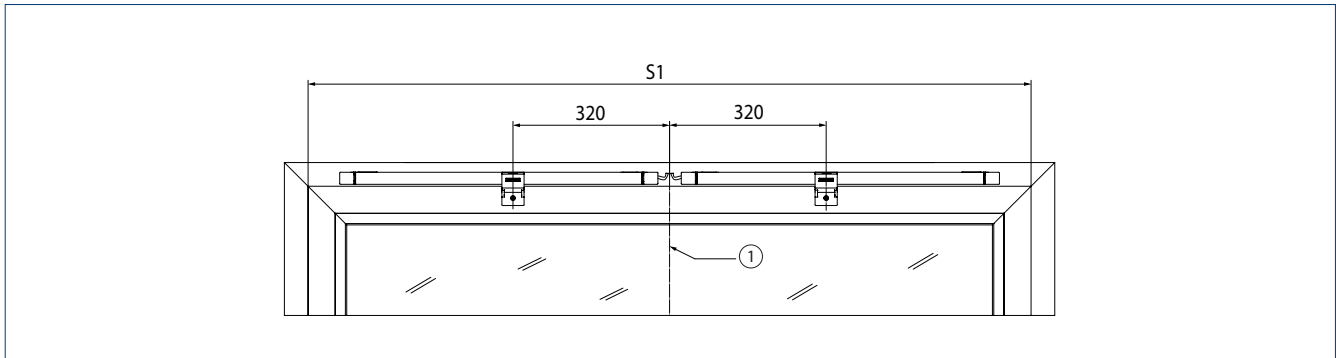


Dimensions for E, G and S see table | 1 = Centre of window

SPACE NEEDED – SYNCRO 2

→ **Note:** The illustrations apply for all installation possibilities.

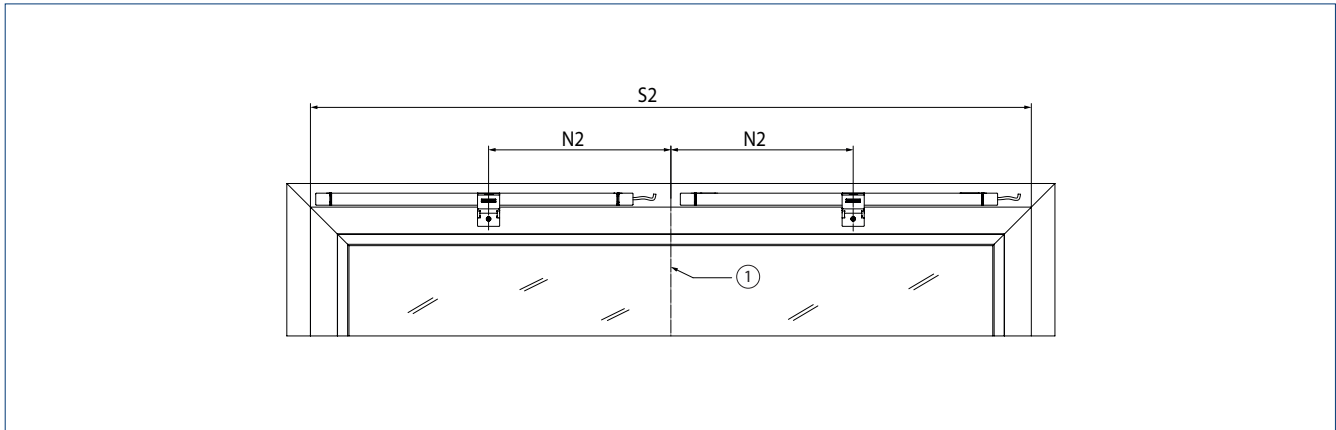
SPACE NEEDED FOR INSTALLATION WITH ONE LEFT-HAND AND ONE RIGHT-HAND DRIVE



→ **Note:** Not suitable for side-hung windows.
Dimensions for S1 see table | 1 = Centre of window

Stroke	S1 [mm] min.	ID no. EV1/white RAL 9016	Number
300	1160	147030/147031 R 147035/147036 L	1 1
500	1360	147040/147041 R 147045/147046 L	1 1
800	1660	147050/147051 R 147055/147056 L	1 1

**SPACE NEEDED FOR INSTALLATION WITH TWO RIGHT-HAND DRIVES
(REVERSED FOR TWO LEFT-HAND DRIVES)**

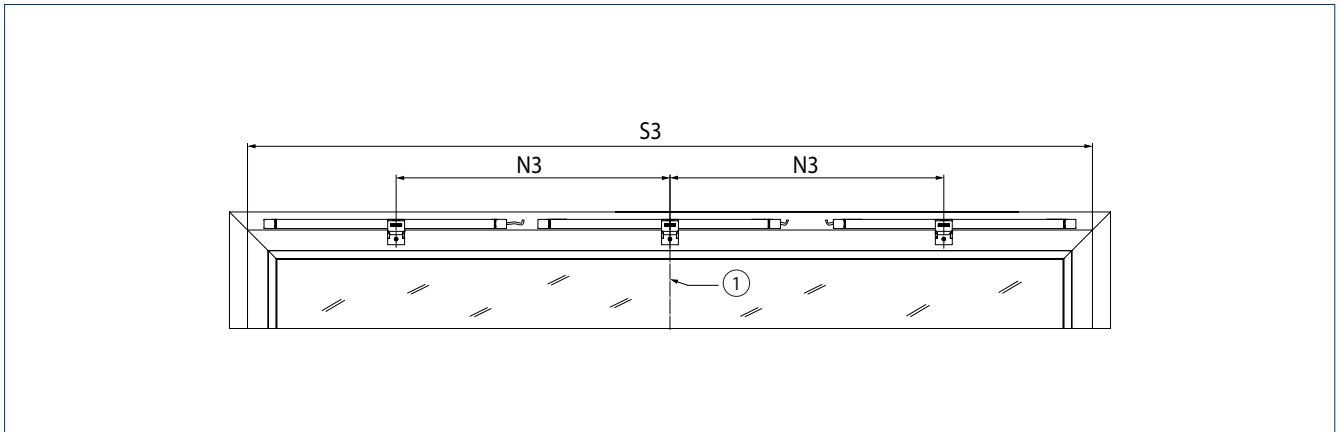


→ **Note:** Suitable for side-hung windows.
Dimensions for S2 and N2 see table | 1 = Centre of window

Stroke	N2 [mm]	S2 [mm] min.	ID no. EV1/ white RAL 901	Number	ID no. EV1/ white RAL 901	Number
300	300	1200	147030/147031 R 147035/147036 L	2 –	147030/147031 R 147035/147036 L	– 2
500	350	1420	147040/147041 R 147045/147046 L	2 –	147040/147041 R 147045/147046 L	– 2
800	425	1870	147050/147051 R 147055/147056 L	2 –	147050/147051 R 147055/147056 L	– 2

SPACE NEEDED - SYNCRO 3

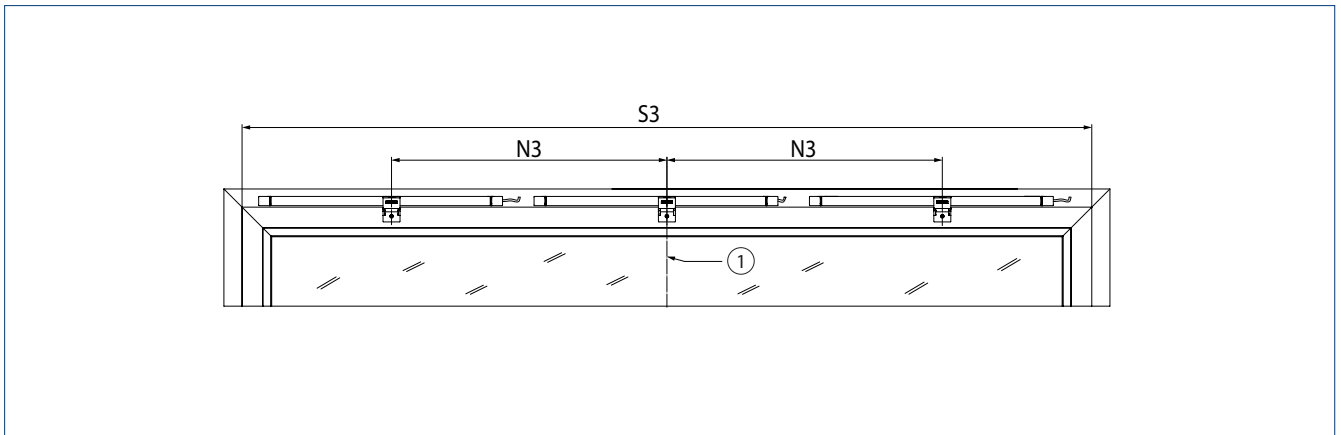
SPACE NEEDED FOR INSTALLATION WITH ONE LEFT-HAND AND TWO RIGHT-HAND DRIVES



→ **Note:** Not suitable for side-hung windows. Dimensions for S3 and N3 see table I 1 = Centre of window

Stroke	N3 [mm]	S3 [mm] min.	ID no. EV1/ white RAL 9016	Number	ID no. EV1/ white RAL 9016	Number
300	640	1800	147030/147031 L, R	2	147030/147031 L, R	1
			147035/147036 L, R	1	147035/147036 L, R	2
500	700	2120	147040/147041 L, R	2	147040/147041 L, R	1
			147045/147046 L, R	1	147045/147046 L, R	2
800	850	2720	147050/147051 L, R	2	147050/147051 L, R	1
			147055/147056 L, R	1	147055/147056 L, R	2

SPACE NEEDED FOR INSTALLATION WITH THREE RIGHT-HAND DRIVES

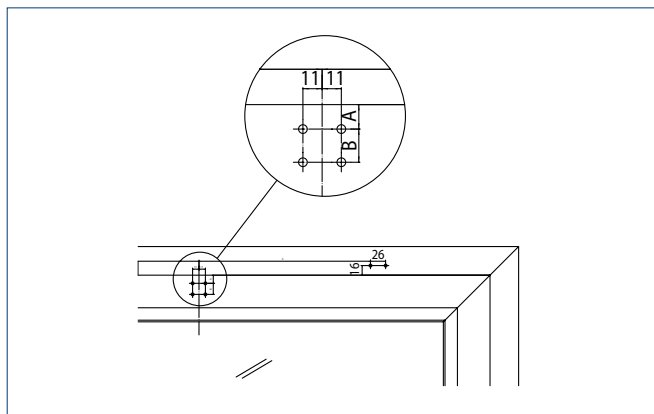


Dimensions for S3 and N3 see table I 1 = Centre of window

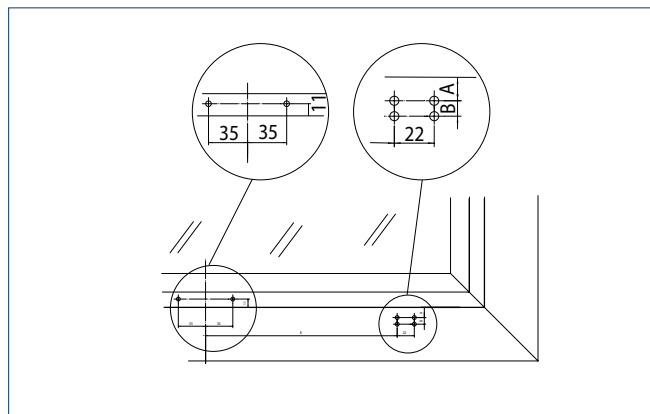
Stroke	N3 [mm]	S3 [mm] min.	ID no. EV1/white RAL 9016	Number	ID no. EV1/white RAL 9016	Number
300	600	1800	147030/147031 L, R	3	147030/147031 L, R	–
			147035/147036 L, R	–	147035/147036 L, R	3
500	700	2120	147040/147041 L, R	3	147040/147041 L, R	–
			147045/147046 L, R	–	147045/147046	3
800	850	2720	147050/147051 L, R	3	147050/147051 L, R	–
			147055/147056 L, R	–	147055/147056 L, R	3

INSTALLATION DIMENSIONS – RECOMMENDATION

Frame installation
INWARD opening



Leaf installation
INWARD opening



Frame installation
OUTWARD opening

Material	Manufacturer	Profile system	Frame installation INWARD opening		Leaf installation INWARD opening 21 mm 4 screws		with 2 screws with rivet nuts	Frame installation OUTWARD opening		with 2 screws with rivet nuts
			A	B	A	B	A	A	B	A
Aluminium	Aluprof	MB-60	14	19	9	8	13	–	–	–
		MB-70	14	19	9	8	13	–	–	–
	Gutmann	S70	14	19	9	10	13	–	–	–
		065	14	19	9	11	13	–	–	16 ¹⁾
	Heroal	110ES	14	19	9	9	13	–	–	16 ¹⁾
		Lambda 65	14	19	9	11	13	11 ^{2) 3)}	9 ^{2) 3)}	15 ²⁾
	Hueck	Lambda 77	14	19	9	11	13	11 ^{2) 3)}	9 ^{2) 3)}	15 ²⁾
		Raico	Frame+ 65 W	14	19	9	11	13	14 ¹⁾	17 ¹⁾
	Frame+ 75 WB		14	19	9	11	13	14 ¹⁾	17 ¹⁾	–
	Schueco	AWS 65	14	19	10	9	14	11	11	14
		AWS 75	14	19	10	9	14	11	11	14
	SAPA	1074	13 ^{5) 6)}	18 ^{5) 6)}	–	–	13	–	–	18 ^{2) 7)}
		1086	13 ^{5) 8)}	18 ⁸⁾	–	–	13	–	–	–
	Wicona	Wicline 65 EVO	14	11	10	10	14	–	–	14 ²⁾
Wicline 75 EVO		14	11	10	10	14	–	–	14 ²⁾	
Plastic	EgoKiefer	AS1	17	11	11	8	17	–	–	–
	Profine	Kömmerling 88plus ⁴⁾	18	14	11	8	11	–	–	–
		Alphaline 90	15	18	10	8	15	–	–	–
	Veka	Softline 82 MD	15	18	10	8	15	–	–	–
Wood		Gutmann	Mira	22	11	8	10	–	–	–
	Landgraf	IV79	22	11	8	10	–	–	–	
	Oertli	IV68/IV80	22	11	8	10	–	–	–	

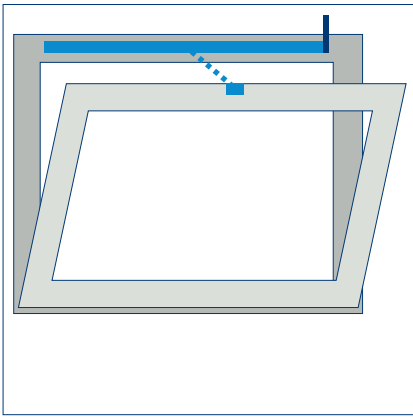
All dimensions in mm

- 1) Installation dimension chain block 14 instead of 11
- 2) Installation dimension chain block 13 instead of 11
- 3) only with tapping screws
- 4) On-site supports required, since door overlap 24 mm
- 5) Installation dimension chain drive 18 instead of 16
- 6) All profile combinations containing profile number 74102, 74112, 74202 or 74203 allowed
- 7) All profile combinations containing profile number 74052 or 68713; A = 16 mm / installation dimension chain block 17 instead of 11
- 8) For all profile combinations containing profile number 86102 or 86202; A= 16 mm / installation dimension chain block 18 instead of 11

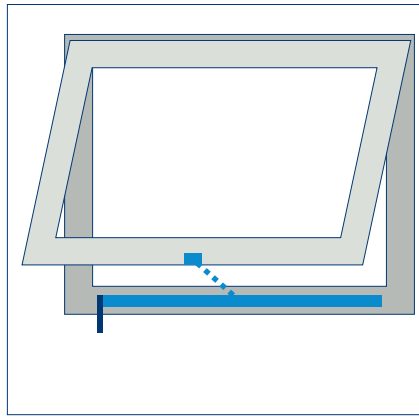
Further profile ranges on request.

ORDERING AID

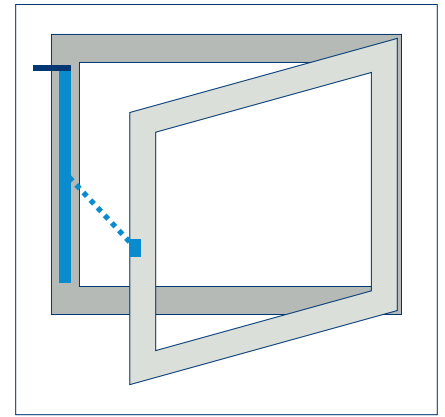
LEAF INWARD OPENING FRAME INSTALLATION



Bottom-hung leaf INWARD opening (drive can be swivelled)



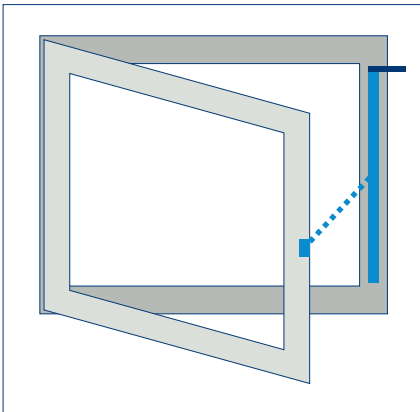
Top-hung leaf INWARD opening (drive can be swivelled)



Side-hung leaf DIN R INWARD opening (drive cannot be swivelled)
Cable outlet always upwards.

Stroke	Version	Drive	Accessories
300	EV1	147030 Right	147060
300	white RAL 9016	147031 Right	147061
500	EV1	147040 Right	147060
500	white RAL 9016	147041 Right	147061
800	EV1	147050 Right	147060
800	white RAL 9016	147051 Right	147061

LEAF INWARD OPENING FRAME INSTALLATION

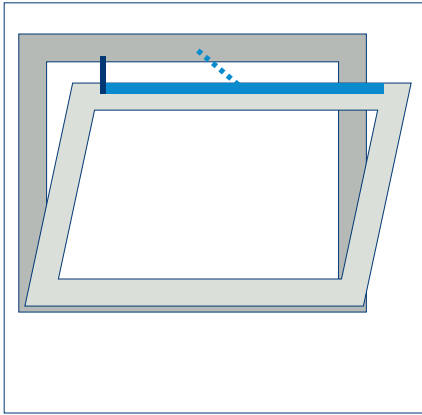


Side-hung leaf DIN L INWARD opening (drive cannot be swivelled)
Cable outlet always upwards.

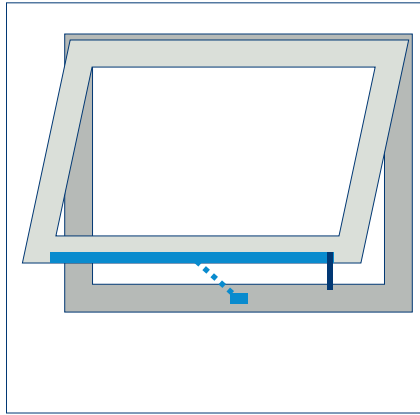
Stroke	Version	Drive	Accessories
300	EV1	147035 Left	147060
300	white RAL 9016	147036 Left	147061
500	EV1	147045 Left	147060
500	white RAL 9016	147046 Left	147061
800	EV1	147055 Left	147060
800	white RAL 9016	147056 Left	147061

ORDERING AID

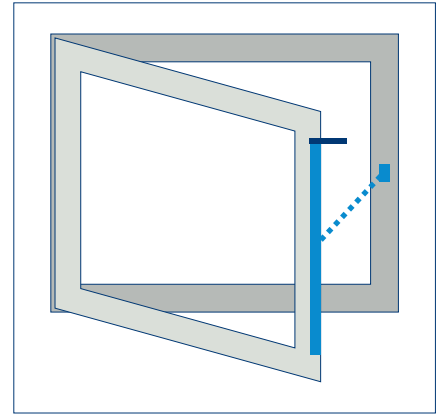
LEAF INWARD OPENING LEAF INSTALLATION



Bottom-hung leaf INWARD opening (drive cannot be swivelled)



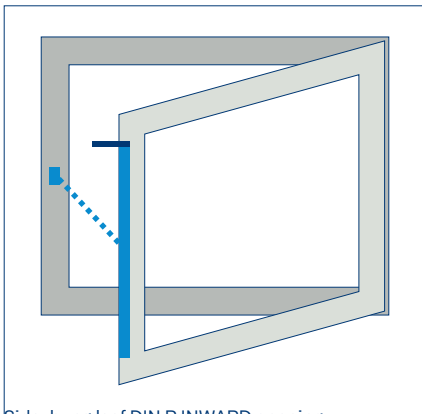
Top-hung leaf INWARD opening (drive cannot be swivelled)



Side-hung leaf DIN L INWARD opening (drive cannot be swivelled)
Cable outlet always upwards.

Stroke	Version	Drive	Accessories
300	EV1	147030 Right	147062
300	white RAL 9016	147031 Right	147063
500	EV1	147040 Right	147062
500	white RAL 9016	147041 Right	147063
800	EV1	147050 Right	147062
800	white RAL 9016	147051 Right	147063

LEAF INWARD OPENING LEAF INSTALLATION

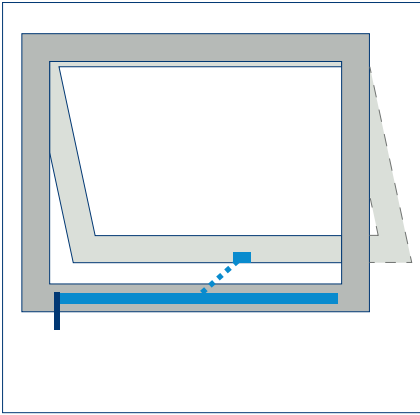


Side-hung leaf DIN R INWARD opening (drive cannot be swivelled)
Cable outlet always upwards.

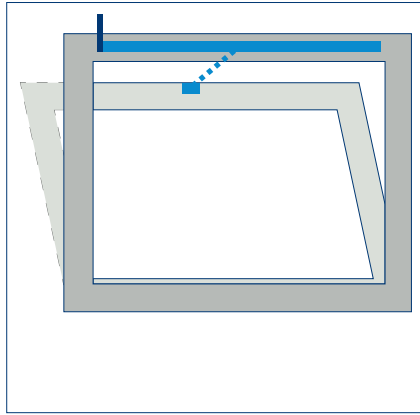
Stroke	Version	Drive	Accessories
300	EV1	147035 Left	147062
300	white RAL 9016	147036 Left	147063
500	EV1	147045 Left	147062
500	white RAL 9016	147046 Left	147063
800	EV1	147055 Left	147062
800	white RAL 901	147056 Left	147063

ORDERING AID

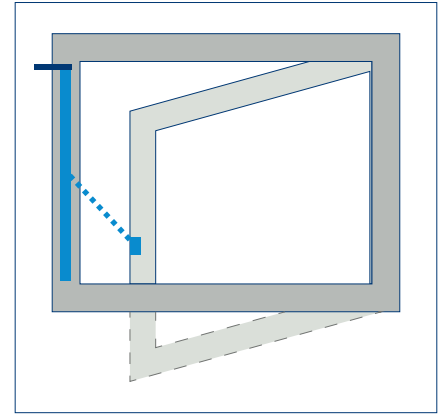
LEAF OUTWARD OPENING FRAME INSTALLATION



Top-hung leaf OUTWARD opening (drive can be swivelled)



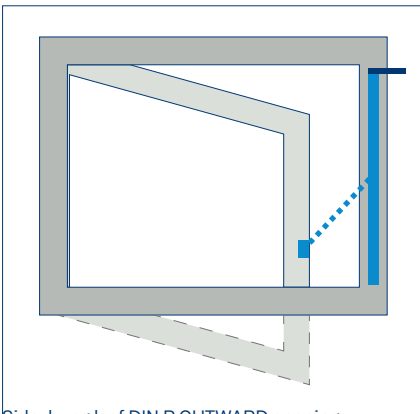
Bottom-hung leaf OUTWARD opening (drive can be swivelled)



Side-hung leaf DIN L OUTWARD opening (drive cannot be swivelled)
Cable outlet always upwards.

Stroke	Version	Drive	Accessories
300	EV1	147030 Right	147062
300	white RAL 9016	147031 Right	147063
500	EV1	147040 Right	147062
500	white RAL 9016	147041 Right	147063
800	EV1	147050 Right	147062
800	white RAL 9016	147051 Right	147063

LEAF OUTWARD OPENING FRAME INSTALLATION



Side-hung leaf DIN R OUTWARD opening (drive cannot be swivelled)
Cable outlet always upwards.

Stroke	Version	Drive	Accessories
300	EV1	147035 Left	147062
300	white RAL 9016	147036 Left	147063
500	EV1	147045 Left	147062
500	white RAL 9016	147046 Left	147063
800	EV1	147055 Left	147062
800	white RAL 9016	147056 Left	147063

ORDER INFORMATION

Designation	Stroke	Version	ID no.
Slimchain L	300 mm	EV1	147035
	300 mm	white RAL 9016	147036
	500 mm	EV1	147045
	500 mm	white RAL 9016	147046
	800 mm	EV1	147055
	800 mm	white RAL 9016	147056
Slimchain R	300 mm	EV1	147030
	300 mm	white RAL 9016	147031
	500 mm	EV1	147040
	500 mm	white RAL 9016	147041
	800 mm	EV1	147050
	800 mm	white RAL 9016	147051
Slimchain - special version Can be configured: Stroke, cable length, colour, version L/R			147070

ACCESSORIES

Safety scissors no. 35		galvanised	014499
Safety scissors no. 60		galvanised	133814
Bracket set A Slimchain For bottom-hung, side-hung and top-hung windows, frame installation INWARD opening		white RAL 9016 black	147061 147060
Bracket set B Slimchain For bottom-hung, side-hung and top-hung windows, leaf installation INWARD opening and frame installation OUTWARD opening		white RAL 9016 black	147063 147062
Bracket set C Slimchain For bottom-hung, side-hung windows, frame installation integrated INWARD opening		silver	155878
Bracket set P Slimchain For parallel opening windows, top-hung/bottom-hung windows and projected top hung windows, frame installation OUTWARD opening		white RAL 9016 black acc. to RAL	164396 164394 164397
Bracket set for Slimchain Can be configured: Type of opening, colour		acc. to RAL	147071

→ **Note:** For product liability reasons, when using a chain drive on a bottom-hung window, GEZE prescribes the use of separate "GEZE safety scissors". The GEZE safety scissors ensure that a permanent fixed connection between the frame and leaf is guaranteed – independently of the drive.

Bracket sets



Bracket set A Slimchain
(147060)



Bracket set B Slimchain
(147062)



Bracket set C Slimchain
(155878)



Bracket set P Slimchain
(164394)

Slimchain 230 V



Chain drive in an attractive design with numerous possible applications in 230 V finish

AREAS OF APPLICATION

- Natural ventilation in the façade area
- Inward and outward-opening bottom-hung, top-hung and side-hung windows
- Outward-opening projected top-hung windows
- Installation on wooden, PVC or metal windows
- Leaf, frame or integrated installation

PRODUCT FEATURES

- Slim and discreet appearance integrates perfectly into the façade design
- Fast and easy installation with the GEZE Smart fix installation system
- Direct 230 V connection of the drive via a connection terminal with cable plug
- Concealed line-feed 230 V
- Direct access to the electronics for setting parameters via service cover
- Drive stroke with variable adjustment
- Available as special version - stroke, cable length, colour and alignment configurable to left/right

TECHNICAL DATA
Slimchain 230 V
GENERAL

Length	Stroke 200: 540 mm, stroke 300: 590 mm, stroke 500: 690 mm, stroke 800: 840 mm (each with brackets)
Height	25 mm
Depth	44 mm
Space needed on frame (min.)	Frame installation inward opening: 40 mm, leaf installation inward opening: 16/21 mm, frame installation outward opening: 31 mm
Space needed on leaf (min.)	Frame installation inward opening: 40 mm, leaf installation inward opening: 34/29 mm, Frame installation outward opening: 19 mm

SPECIFICATIONS

Possible stroke lengths	200 mm, 300 mm, 500 mm, 800 mm
Factory presetting:	Ventilation stroke 300 mm
Opening speed ventilation	5 mm/s
Closing speed	5 mm/s
Pulling force (max.)	300 N
Compressive force (max.)	100 N (depending on stroke), see force-path chart
Holding force (max.)	2000 N
Leaf weight (max.) ¹⁾	200 kg
Overlap range ²⁾	0 – 23 mm

ELECTRICAL DATA

Operating voltage	230 V ± 10 %
Current consumption	0.3 A
Power consumption (max.)	30 W
Duty rating	30 %
Length of connector cable	2 m
Special length of connector cable	5 m, 7.5 m
Cable dimensions	3 x 0.75 mm ²
Temperature range	–5 – 70 °C
IP rating / protection class	IP30 / II

FUNCTIONS

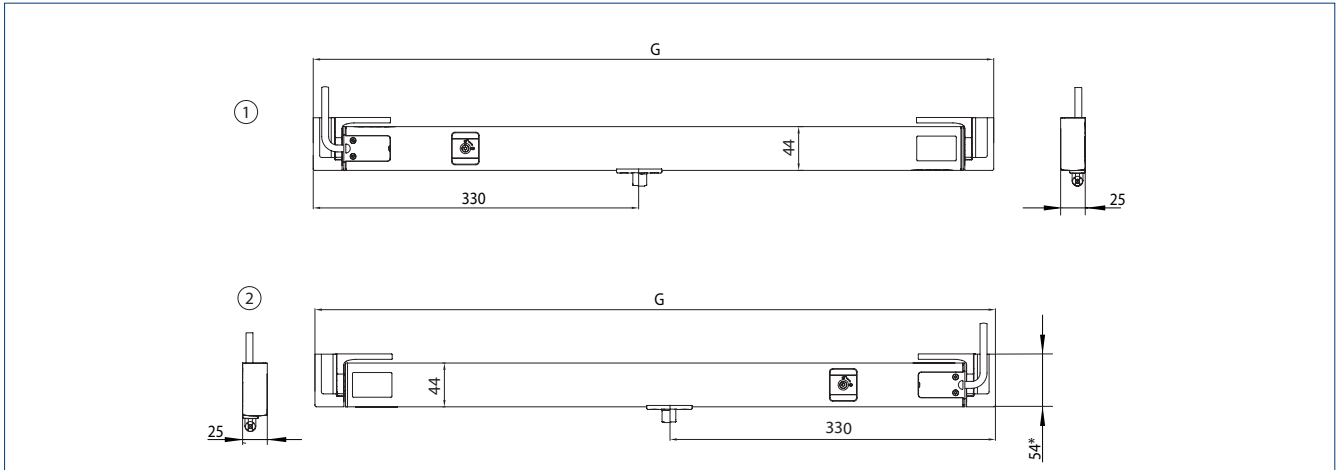
Stroke length settable	●
Opening speed settable (ventilation)	●
Type of stroke shortening	Synchronising unit, factory setting
End position cut-off extended	electronically via internal pathfinder
End position cut-off retracted	electric, electronic via current consumption
Overload cut-off	●

TYPES OF INSTALLATION

Bottom-hung window	inward opening outward opening	Frame / leaf Frame
Side-hung window	inward opening outward opening	Frame / leaf Frame
Top-hung window	inward opening outward opening	Frame / leaf Frame
Projected top-hung window	outward opening	Frame

● = YES | 1 = The total weight is limited by the hinges and depends on the details provided by the profile system manufacturer. | 2 = Depending on the application and the bracket set

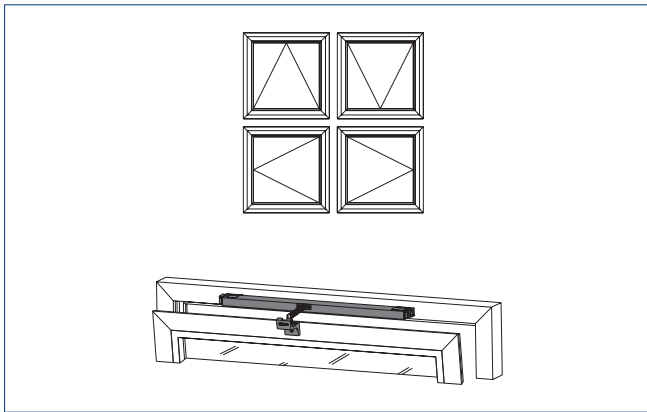
PRODUCT SCALE DRAWING



G = Length | 1 = GEZE Slimchain 230 V L | 2 = GEZE Slimchain 230 V R | * = Bracket set A

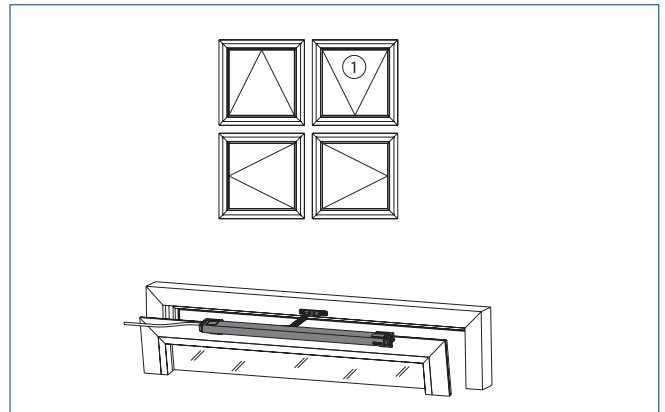
TYPES OF INSTALLATION

**Frame installation
INWARD opening**

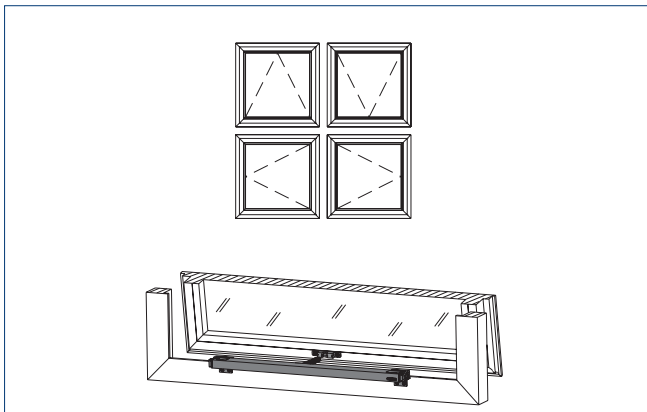


Bracket set B 11 = on request

**Leaf installation
INWARD opening**

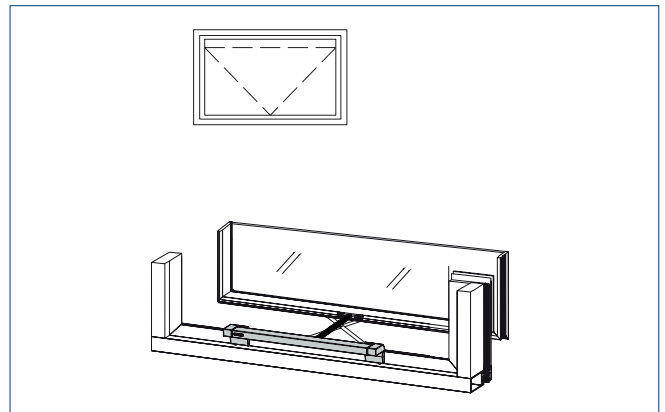


**Frame installation
OUTWARD opening**



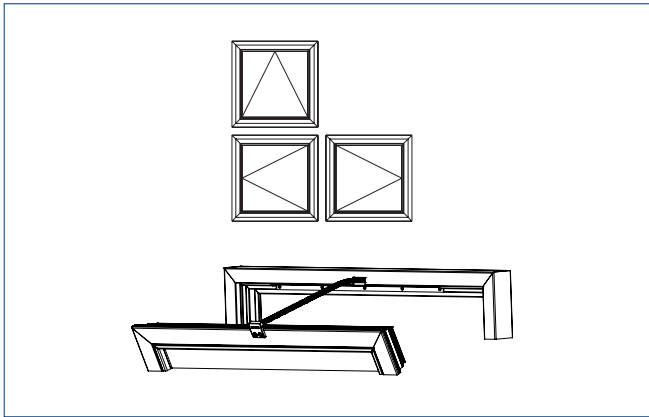
Bracket set B

**Frame installation
OUTWARD opening projected
top-hung window**



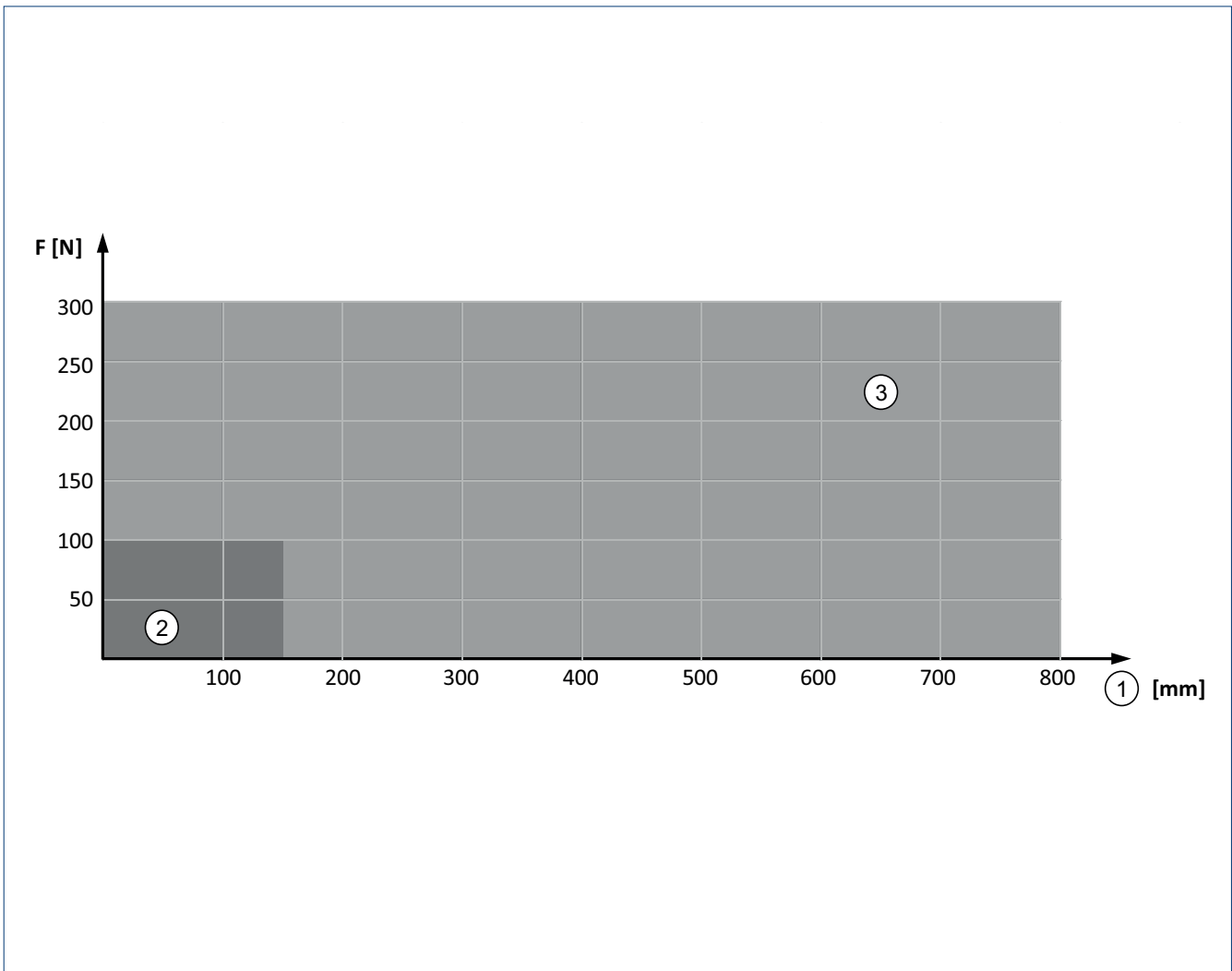
Bracket set P

Integrated installation
 Frame installation, INWARD opening



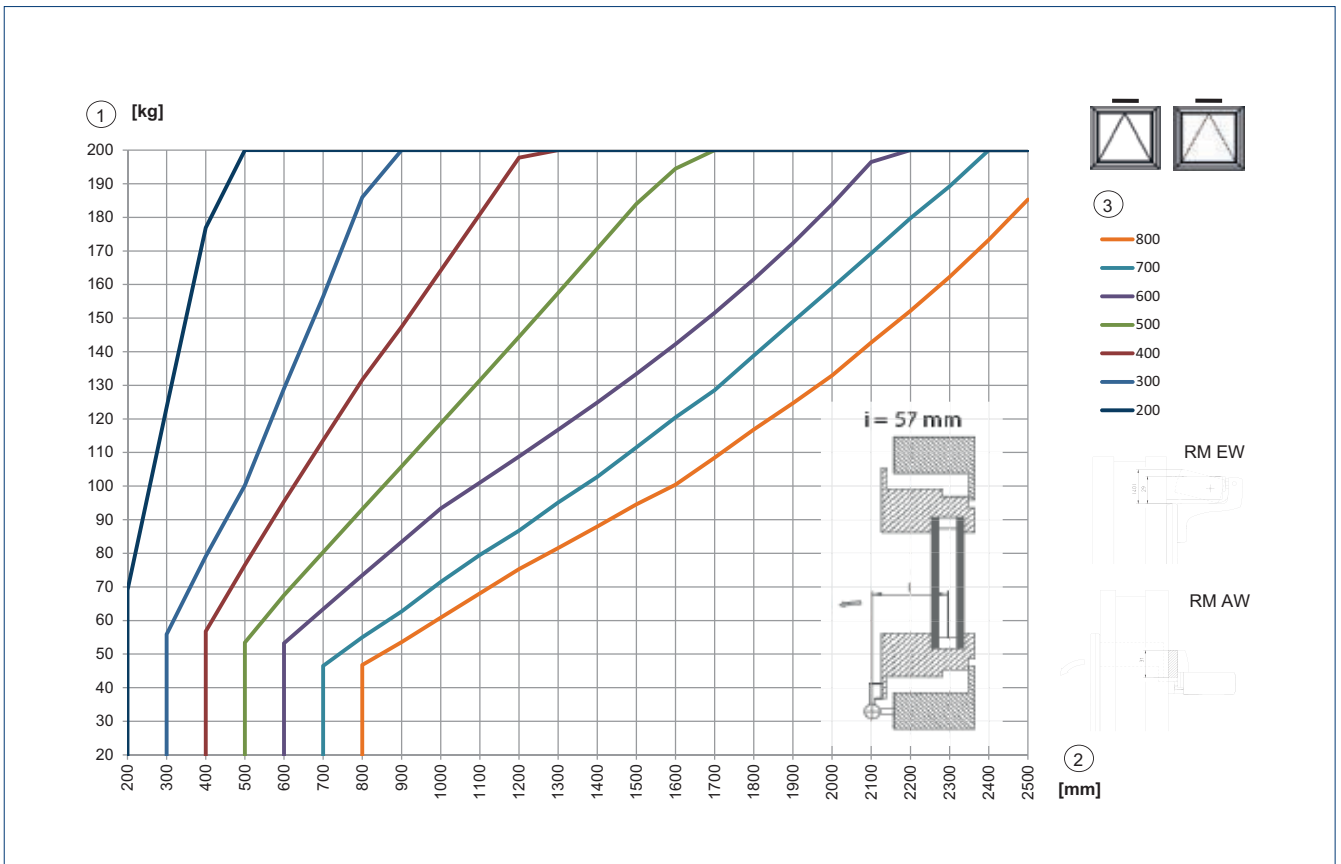
Bracket set C

FORCE-PATH CHART



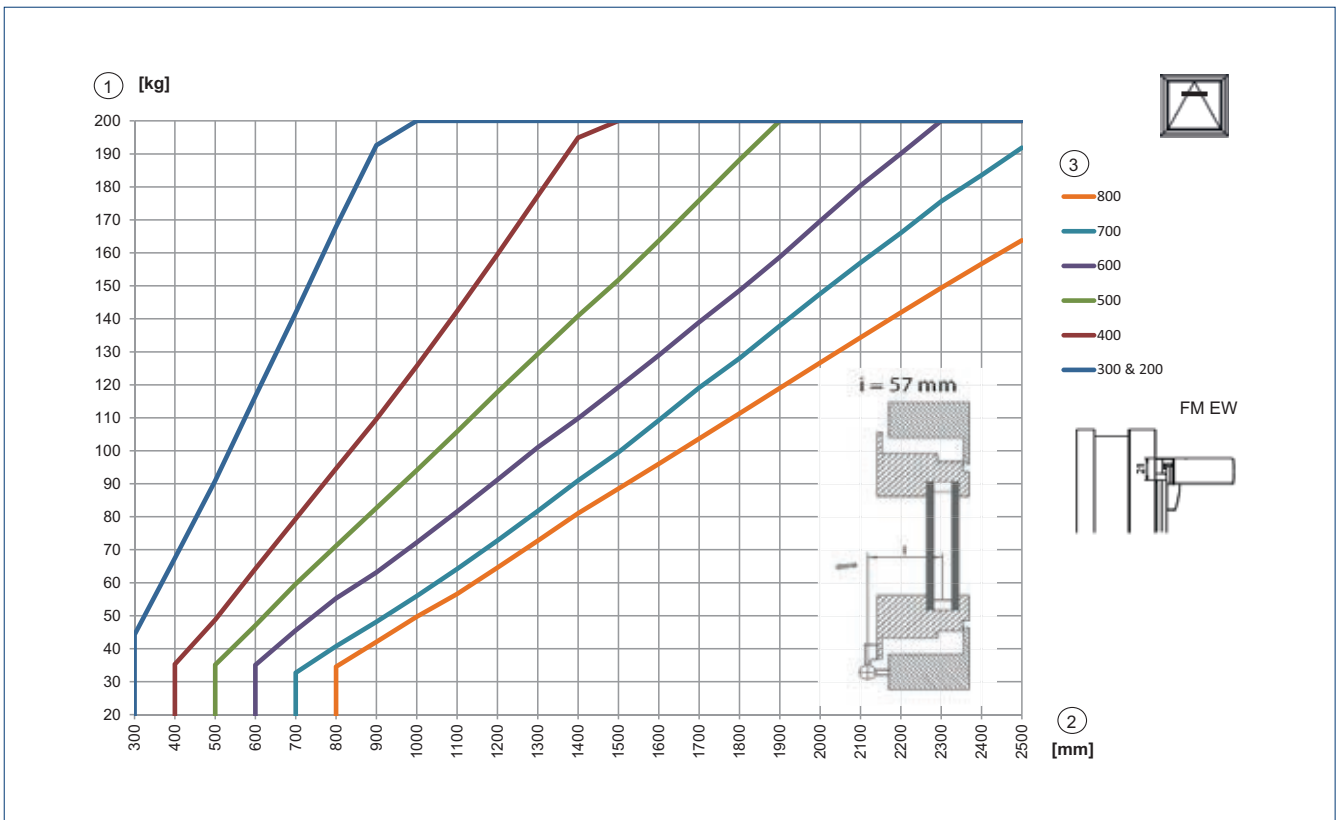
F = Force | 1 = Stroke | 2 = Pressure | 3 = Tension

AREA OF APPLICATION BOTTOM-HUNG WINDOW FRAME INSTALLATION INWARD OPENING (DRIVE CAN BE SWIVELLED) / BOTTOM-HUNG WINDOW FRAME INSTALLATION OUTWARD OPENING (DRIVE CAN BE SWIVELLED)



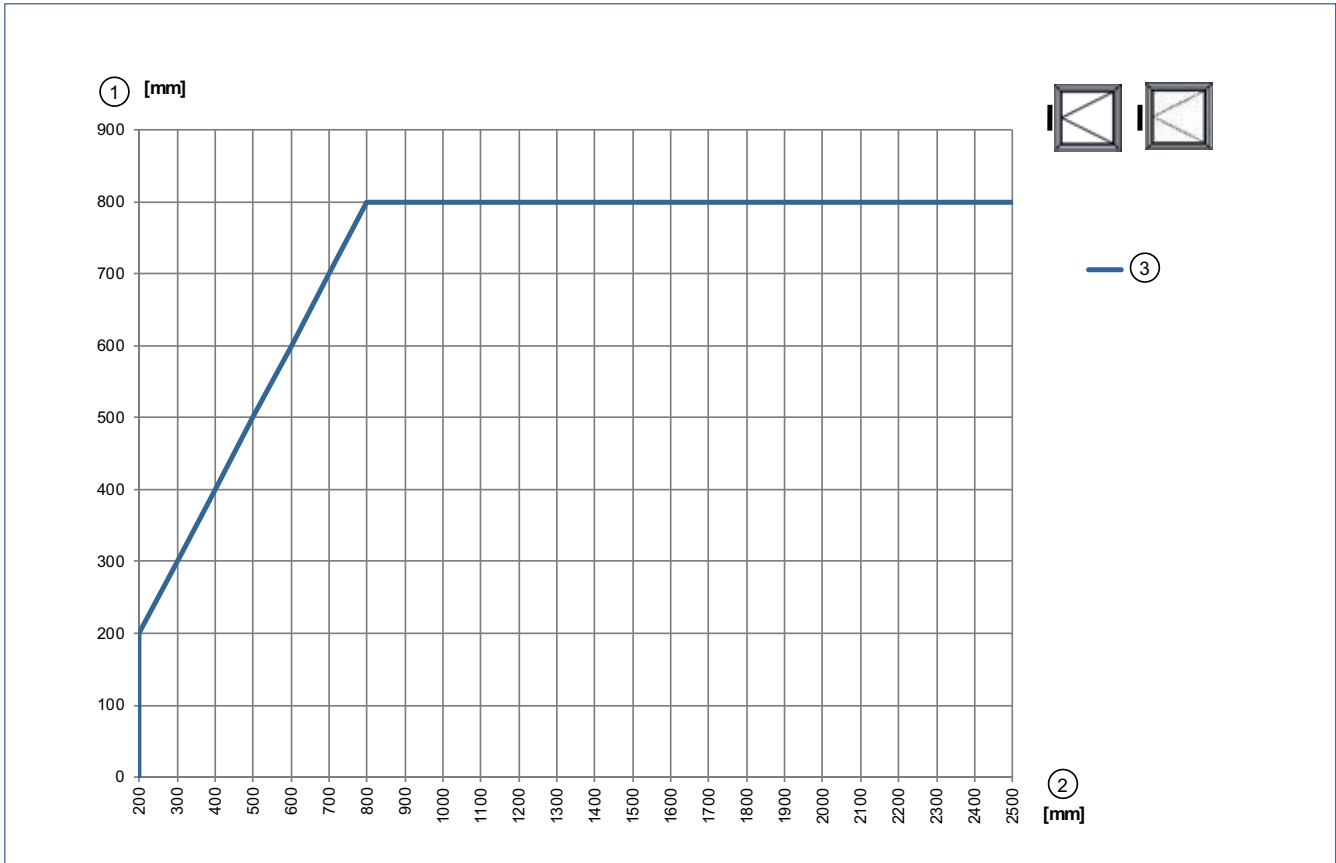
Area of application applies for one Solo drive, for Syncro 2 or Syncro 3 the leaf weight can be doubled or tripled. The details provided by the profile system manufacturer must be heeded. 1 = Leaf weight | 2 = Secondary closing edge | 3 = Stroke [mm] | RM EW = frame installation INWARD opening | RM AW = frame installation OUTWARD opening

AREA OF APPLICATION BOTTOM-HUNG WINDOW LEAF INSTALLATION INWARD OPENING (DRIVE CANNOT BE SWIVELLED) AND FOR INTEGRATED INSTALLATION



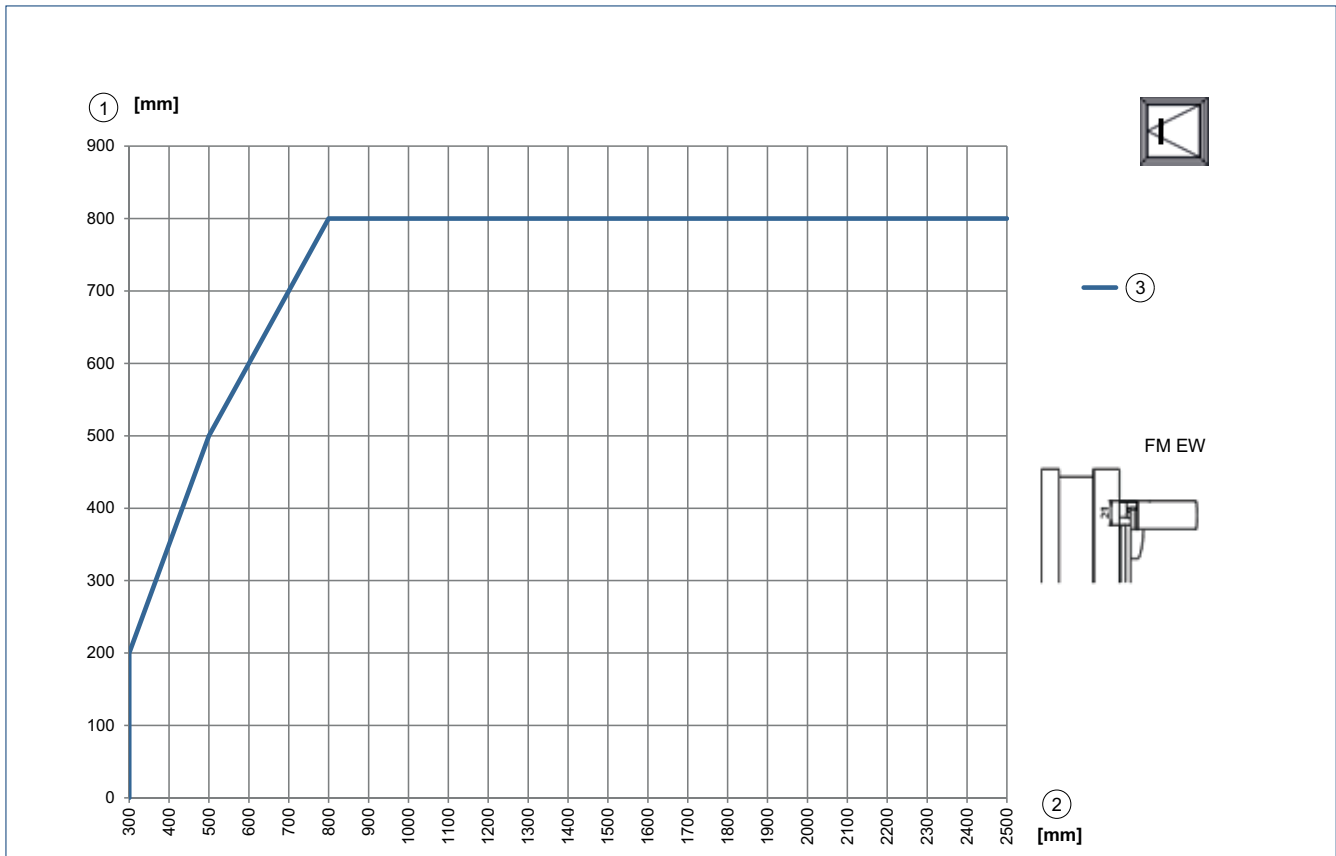
Area of application applies for one Solo drive, for Syncro 2 or Syncro 3 the leaf weight can be doubled or tripled. The details provided by the profile system manufacturer must be heeded. 1 = Leaf weight | 2 = Secondary closing edge | 3 = Stroke [mm]

MINIMUM LEAF WIDTH SIDE-HUNG WINDOW FRAME INSTALLATION INWARD OPENING / SIDE-HUNG WINDOW FRAME INSTALLATION OUTWARD OPENING (DRIVE CANNOT BE SWIVELLED)



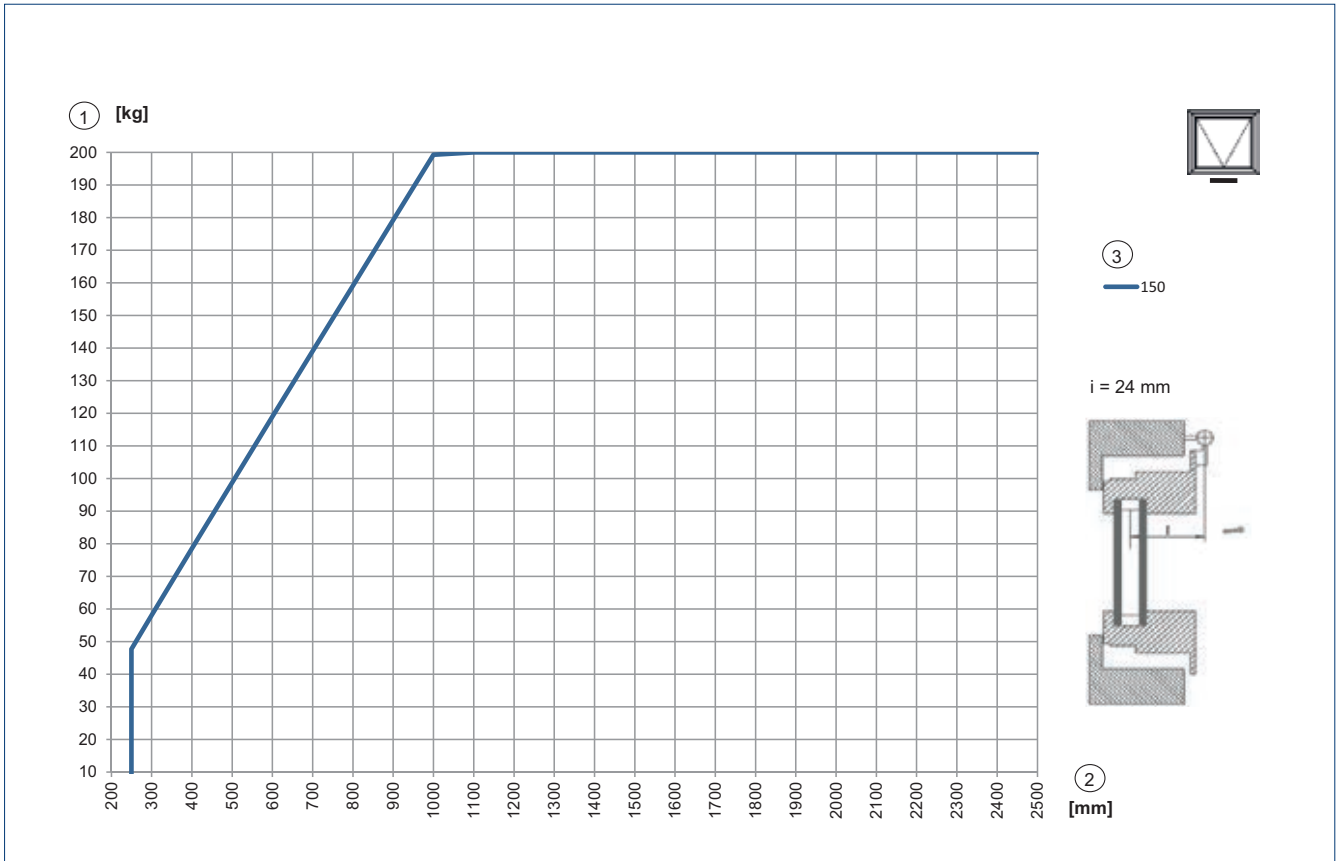
1 = Stroke | 2 = Secondary closing edge | 3 = Ventilation

MINIMUM LEAF WIDTH SIDE-HUNG WINDOW LEAF INSTALLATION INWARD OPENING (DRIVE CANNOT BE SWIVELLED) AND FOR INTEGRATED INSTALLATION



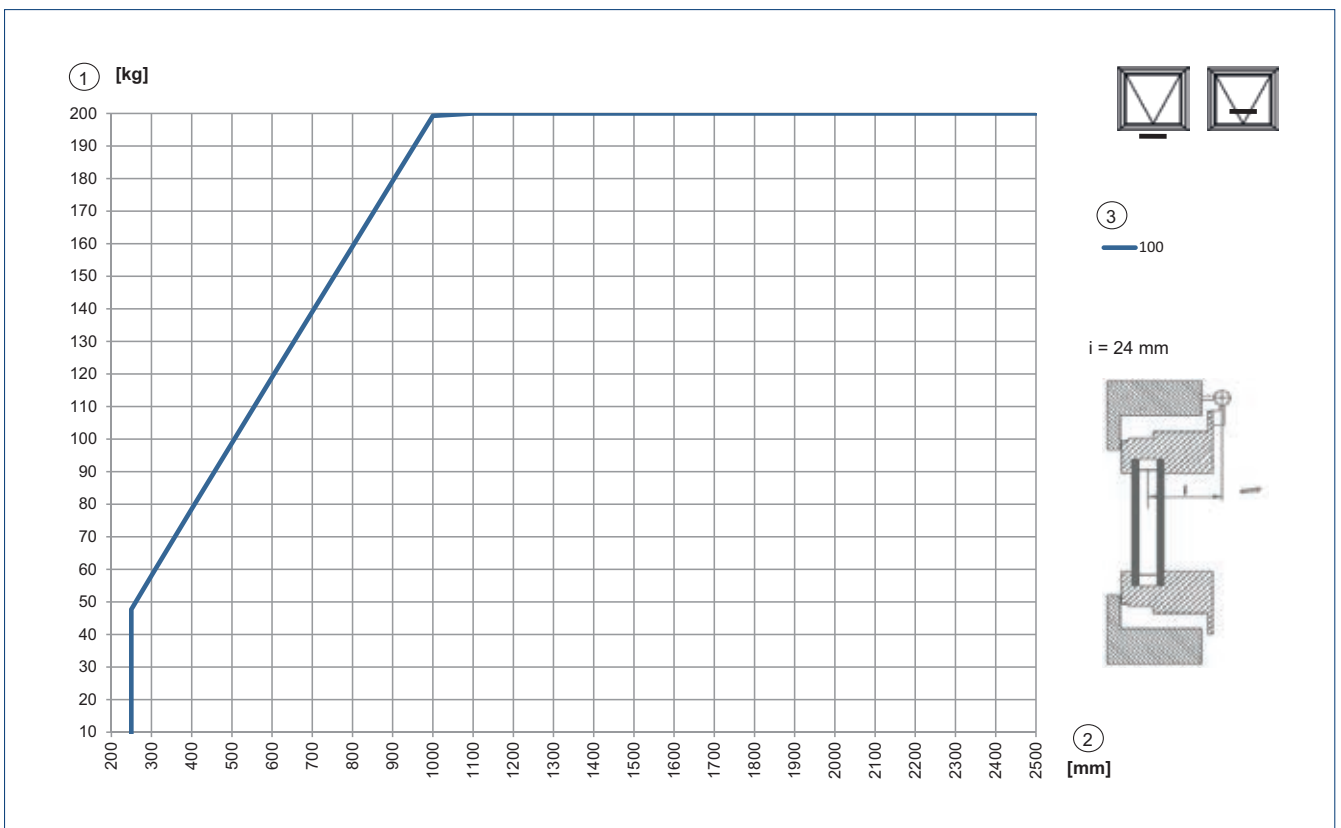
1 = Stroke | 2 = Secondary closing edge | 3 = Ventilation

AREA OF APPLICATION TOP-HUNG WINDOW FRAME INSTALLATION OUTWARD OPENING (DRIVE CAN BE SWIVELLED)



Area of application applies for one Solo drive, for Syncro 2 or Syncro 3 the leaf weight can be doubled or tripled. The details provided by the profile system manufacturer must be heeded. 1 = Leaf weight | 2 = Secondary closing edge | 3 = Stroke [mm]

AREA OF APPLICATION TOP-HUNG WINDOW FRAME INSTALLATION INWARD OPENING (DRIVE CAN BE SWIVELLED) / TOP-HUNG WINDOW LEAF INSTALLATION INWARD OPENING (DRIVE CANNOT BE SWIVELLED) AND FOR INTEGRATED INSTALLATION



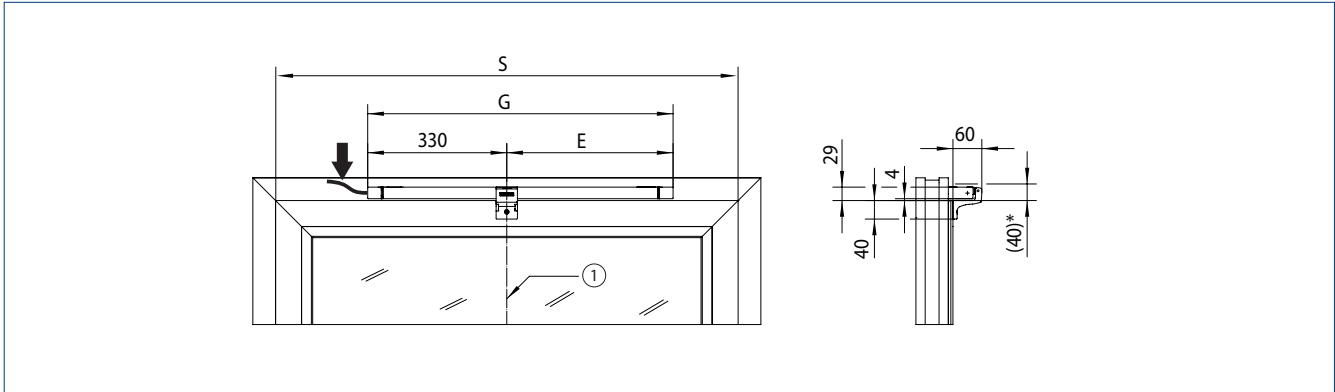
1 = Leaf weight | 2 = Secondary closing edge | 3 = Stroke [mm]

SPACE NEEDED

Stroke	E [mm]	G [mm]	S [mm]
200	210	540	660
300	260	590	660
500	360	660	720
800	510	840	1020

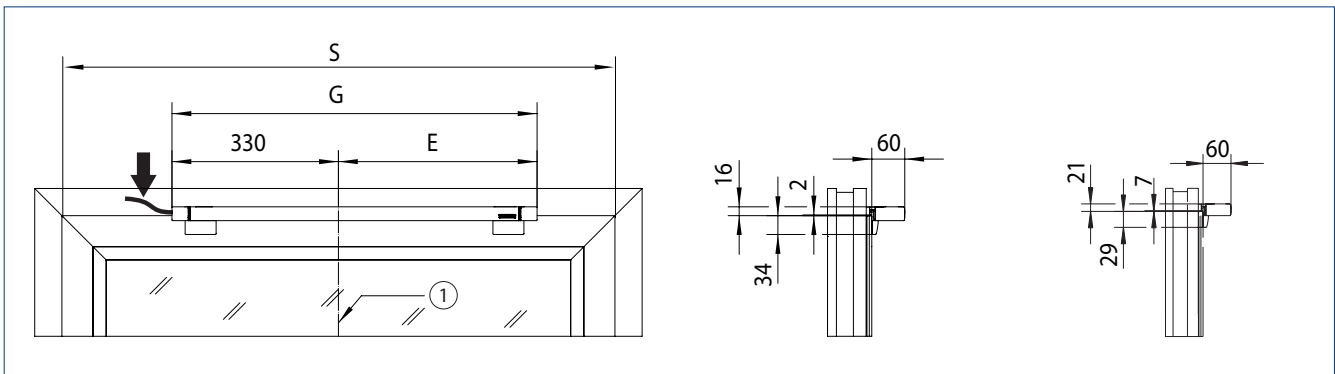
→ **Note:** Illustrations with cable side left, cable side right is reversed

SPACE NEEDED FOR FRAME INSTALLATION INWARD OPENING



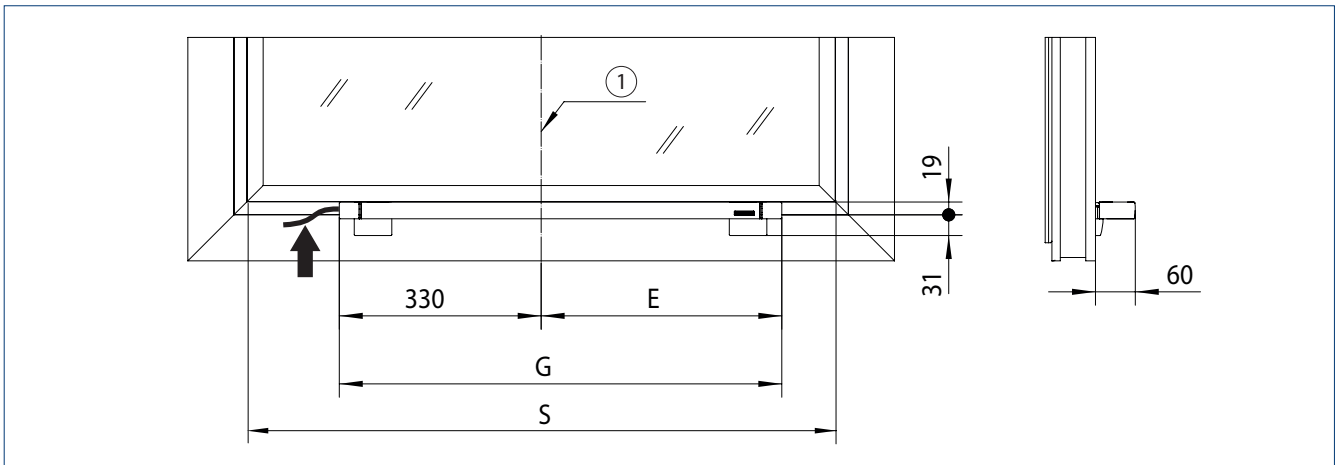
See table for dimensions for E, G and S
1 = Centre of window | * = Swivelling range

SPACE NEEDED FOR LEAF INSTALLATION INWARD OPENING

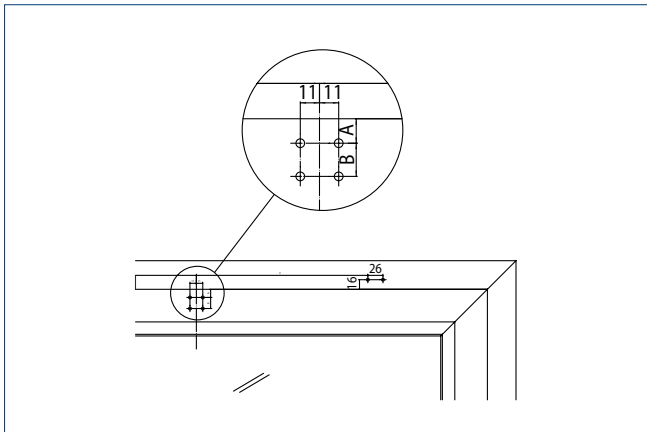
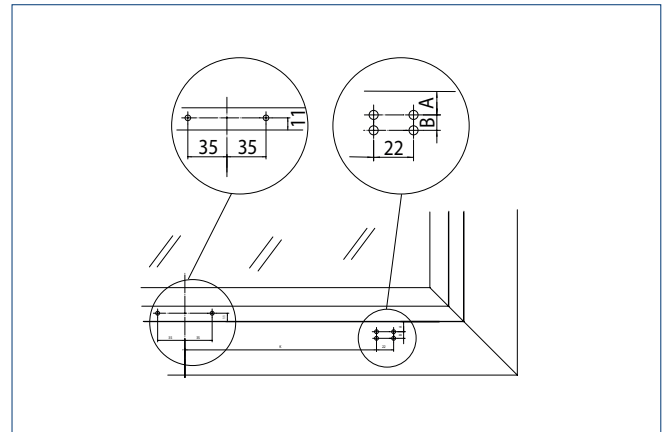


See table for dimensions for E, G and S
1 = Centre of window

SPACE NEEDED FOR FRAME INSTALLATION OUTWARD OPENING



See table for dimensions for E, G and S
1 = Centre of window

INSTALLATION DIMENSIONS - RECOMMENDATION
**Frame installation
INWARD opening**

**Leaf installation
INWARD opening**

**Frame installation
OUTWARD opening**

Material	Manufacturer	Profile system	Frame installation INWARD opening		Leaf installation INWARD opening 21 mm 4 screws		with 2 screws with rivet nuts	Frame installation OUTWARD opening		with 2 screws with rivet nuts
			A	B	A	B	A	A	B	A
Aluminium	Aluprof	MB-60	14	19	9	8	13	-	-	-
		MB-70	14	19	9	8	13	-	-	-
	Gutmann	S70	14	19	9	10	13	-	-	-
		065	14	19	9	11	13	-	-	16 ¹⁾
	Heroal	110ES	14	19	9	9	13	-	-	16 ¹⁾
		Lambda 65	14	19	9	11	13	11 ²⁾³⁾	9 ²⁾³⁾	15 ²⁾
	Hueck	Lambda 77	14	19	9	11	13	11 ²⁾³⁾	9 ²⁾³⁾	15 ²⁾
		Frame+ 65 W	14	19	9	11	13	14 ¹⁾	17 ¹⁾	-
	Raico	Frame+ 75 WB	14	19	9	11	13	14 ¹⁾	17 ¹⁾	-
		AWS 65	14	19	10	9	14	11	11	14
	Schueco	AWS 75	14	19	10	9	14	11	11	14
		1074	13 ⁵⁾⁶⁾	18 ⁵⁾⁶⁾	-	-	13	-	-	18 ²⁾⁷⁾
	SAPA	1086	13 ⁵⁾⁸⁾	18 ⁵⁾	-	-	13	-	-	-
		Wicona	Wicline 65 EVO	14	11	10	10	14	-	-
Wicona	Wicline 75 EVO	14	11	10	10	14	-	-	14 ²⁾	
	Plastic	EgoKiefer	AS1	17	11	11	8	17	-	-
Profine		Kömmerring 88plus ⁴⁾	18	14	11	8	11	-	-	-
		Alphaline 90	15	18	10	8	15	-	-	-
Veka		Softline 82 MD	15	18	10	8	15	-	-	-
	Wood	Gutmann	Mira	22	11	8	10	-	-	-
Landgraf		IV79	22	11	8	10	-	-	-	
Oertli		IV68/IV80	22	11	8	10	-	-	-	

All dimensions in mm

1) Installation dimension chain block 14 instead of 11

2) Installation dimension chain block 13 instead of 11

3) only with tapping screws

4) On-site supports required, since door overlap 24 mm

5) Installation dimension chain drive 18 instead of 16

6) All profile combinations containing profile number 74102, 74112, 74202 or 74203 allowed

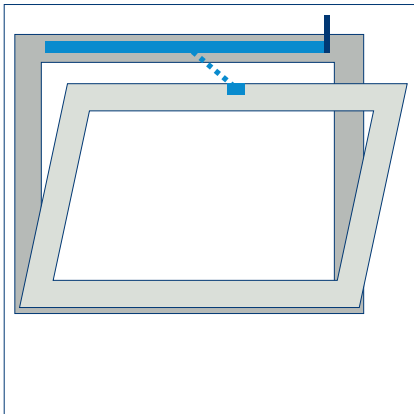
7) All profile combinations containing profile number 74052 or 68713; A = 16 mm / installation dimension chain block 17 instead of 11

8) For all profile combinations containing profile number 86102 or 86202; A = 16 mm / installation dimension chain block 18 instead of 11

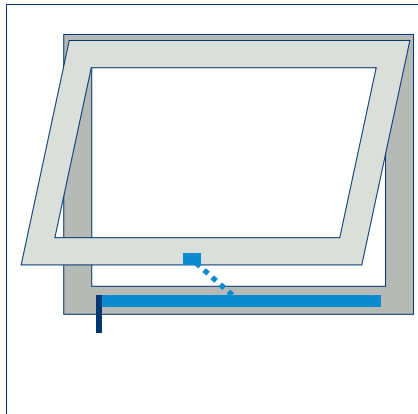
Further profile ranges on request.

ORDERING AID

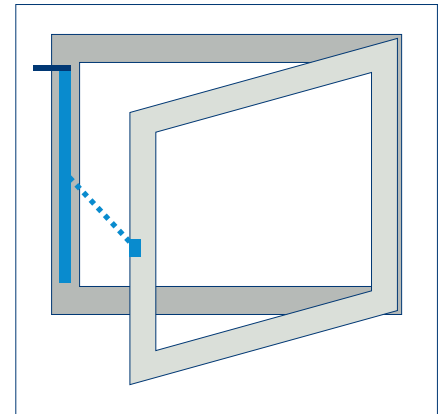
LEAF INWARD OPENING FRAME INSTALLATION



Bottom-hung leaf INWARD opening
(drive can be swivelled)



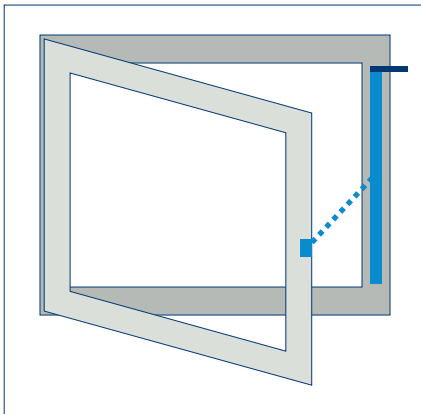
Top-hung leaf INWARD opening
(drive can be swivelled)



Side-hung leaf DIN R INWARD opening
(drive cannot be swivelled)
Cable outlet always upwards.

Stroke	Version	Drive	Accessories
200	EV1	182582 Right	147060
200	white RAL 9016	182583 Right	147061
300	EV1	182586 Right	147060
300	white RAL 9016	182587 Right	147061
500	EV1	182590 Right	147060
500	white RAL 9016	182591 Right	147061
800	EV1	182594 Right	147060
800	white RAL 9016	182595 Right	147061

LEAF INWARD OPENING FRAME INSTALLATION

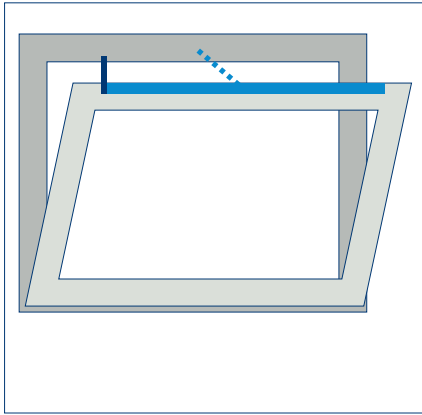


Side-hung leaf DIN L INWARD opening
(drive cannot be swivelled)
Cable outlet always upwards.

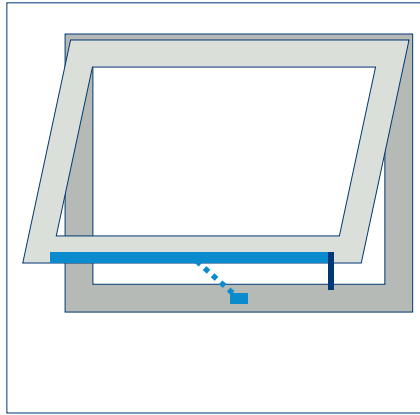
Stroke	Version	Drive	Accessories
200	EV1	182570 Left	147060
200	white RAL 9016	182571 Left	147061
300	EV1	182584 Left	147060
300	white RAL 9016	182585 Left	147061
500	EV1	182588 Left	147060
500	white RAL 9016	182589 Left	147061
800	EV1	182592 Left	147060
800	white RAL 9016	182593 Left	147061

ORDERING AID

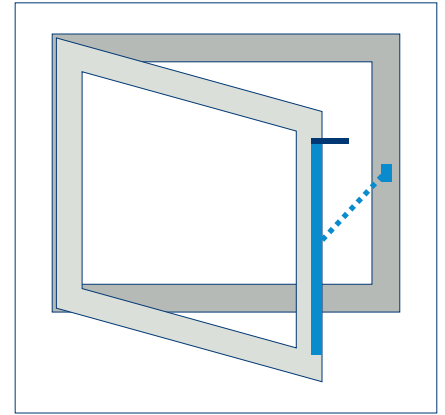
LEAF INWARD OPENING LEAF INSTALLATION



Bottom-hung leaf INWARD opening
(drive cannot be swivelled)



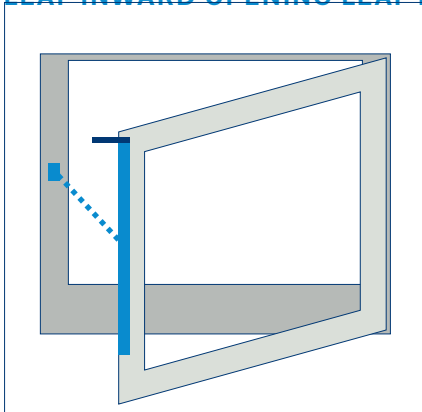
Top-hung leaf INWARD opening
(drive cannot be swivelled)



Side-hung leaf DIN L INWARD opening
(drive cannot be swivelled)
Cable outlet always upwards.

Stroke	Version	Drive	Accessories
200	EV1	182582 Right	147062
200	white RAL 9016	182583 Right	147063
300	EV1	182586 Right	147062
300	white RAL 9016	182587 Right	147063
500	EV1	182590 Right	147062
500	white RAL 9016	182591 Right	147063
800	EV1	182594 Right	147062
800	white RAL 9016	182595 Right	147063

LEAF INWARD OPENING LEAF INSTALLATION

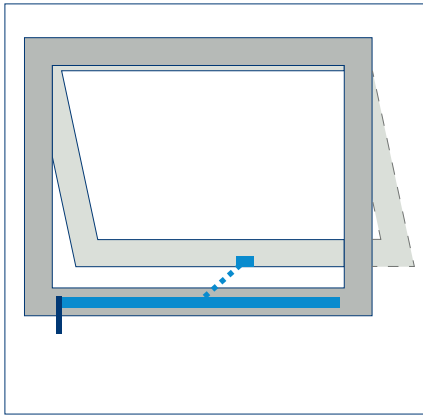


Side-hung leaf DIN R INWARD opening
(drive cannot be swivelled)
Cable outlet always upwards.

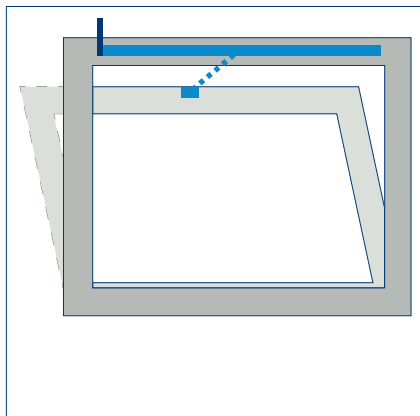
Stroke	Version	Drive	Accessories
200	EV1	182570 Left	147062
200	white RAL 9016	182571 Left	147063
300	EV1	182584 Left	147062
300	white RAL 9016	182585 Left	147063
500	EV1	182588 Left	147062
500	white RAL 9016	182589 Left	147063
800	EV1	182592 Left	147062
800	white RAL 9016	182593 Left	147063

ORDERING AID

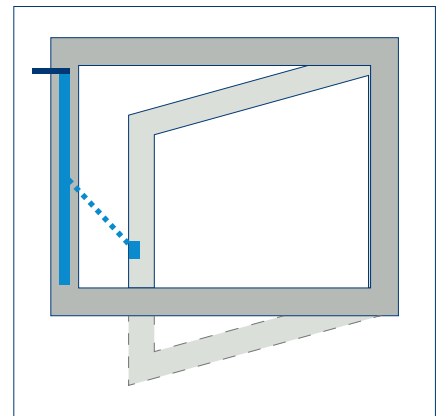
LEAF OUTWARD OPENING FRAME INSTALLATION



Top-hung leaf OUTWARD opening
(drive can be swivelled)



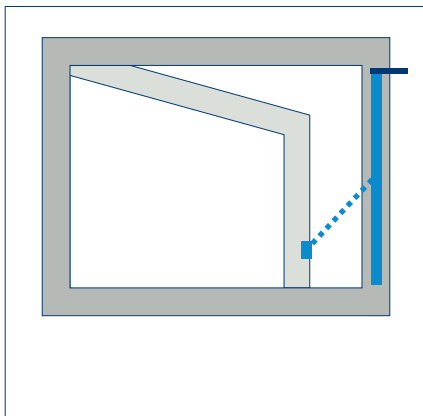
Bottom-hung leaf OUTWARD opening
(drive can be swivelled)



Side-hung leaf DIN L OUTWARD opening
(drive cannot be swivelled)

Stroke	Version	Drive	Accessories
200	EV1	182582 Right	147062
200	white RAL 9016	182583 Right	147063
300	EV1	182586 Right	147062
300	white RAL 9016	182587 Right	147063
500	EV1	182590 Right	147062
500	white RAL 9016	182591 Right	147063
800	EV1	182594 Right	147062
800	white RAL 9016	182595 Right	147063

LEAF OUTWARD OPENING FRAME INSTALLATION



Side-hung leaf DIN R OUTWARD opening
(drive cannot be swivelled)

Stroke	Version	Drive	Accessories
200	EV1	182570 Left	147062
200	white RAL 9016	182571 Left	147063
300	EV1	182584 Left	147062
300	white RAL 9016	182585 Left	147063
500	EV1	182588 Left	147062
500	white RAL 9016	182589 Left	147063
800	EV1	182592 Left	147062
800	white RAL 9016	182593 Left	147063

ORDER INFORMATION

Designation	Stroke	Version	ID no.
Slimchain 230 V L	200 mm	EV1	182570
	200 mm	white RAL 9016	182571
	300 mm	EV1	182584
	300 mm	white RAL 9016	182585
	500 mm	EV1	182588
	500 mm	white RAL 9016	182589
	800 mm	EV1	182592
	800 mm	white RAL 9016	182593
Slimchain 230 V R	200 mm	EV1	182582
	200 mm	white RAL 9016	182583
	300 mm	EV1	182586
	300 mm	white RAL 9016	182587
	500 mm	EV1	182590
	500 mm	white RAL 9016	182591
	800 mm	EV1	182594
	800 mm	white RAL 9016	182595
Slimchain – special version Can be configured: Stroke, cable length, colour, version L/R			182596
ACCESSORIES			
Safety scissors no. 35		galvanised	014499
Safety scissors no. 60		galvanised	133814
Bracket set A Slimchain For bottom-hung, side-hung and top-hung windows, frame installation INWARD opening		white RAL 9016 black	147061 147060
Bracket set B Slimchain For bottom-hung, side-hung and top-hung windows, leaf installation INWARD opening and frame installation OUTWARD opening		white RAL 9016 black	147063 147062
Bracket set C Slimchain For bottom-hung, side-hung windows, frame installation integrated INWARD opening		silver	155878
Bracket set P Slimchain For top-/ bottom-hung windows, frame installation OUTWARD opening, projected top hung windows frame installation OUTWARD opening		white RAL 9016 black acc. to RAL	164396 164394 164397
Bracket set for Slimchain Can be configured: Type of opening, colour		acc. to RAL	147071

→ **Note:** For product liability reasons, when using a chain drive on a bottom-hung window, GEZE prescribes the use of separate 'GEZE safety scissors'. The GEZE safety scissors ensure that a permanent fixed connection between the frame and leaf is guaranteed – independently of the drive.

Bracket sets



Bracket set A Slimchain
(147060)



Bracket set B Slimchain
(147062)



Bracket set C Slimchain
(155878)



Bracket set P Slimchain
(164394)

Powerchain



Chain drive for large and heavy window elements
that need large opening widths

AREAS OF APPLICATION

- Smoke and heat extraction system (SHEV) and natural ventilation (24 V) in the façade and roof area
- Can be used in the exhaust air and air intake
- Inward and outward-opening windows with bottom-hung, top-hung, side-hung leaves
- Roof windows
- Installation on wooden, PVC or metal windows
- Leaf and frame installation
- Synchronisation of up to four drives
- System solution in combination with the Power lock locking drive

PRODUCT FEATURES

- Fast opening speeds when smoke and heat extraction is needed, even for very heavy windows
- Drive stroke and individual speeds with variable adjustment for ventilation and smoke and heat extraction
- Available as special version – stroke, cable length and colour configurable
- Synchronisation of max. four drives without external control unit
- DIP switches for changing over the mode of operation (Solo and Syncro, master, slave)
- Fast and easy installation with the GEZE Smart fix installation system
- IQ windowdrive – intelligent drive control
- Tested as natural smoke and heat exhaust ventilation device in accordance with EN 12101-2

TECHNICAL DATA

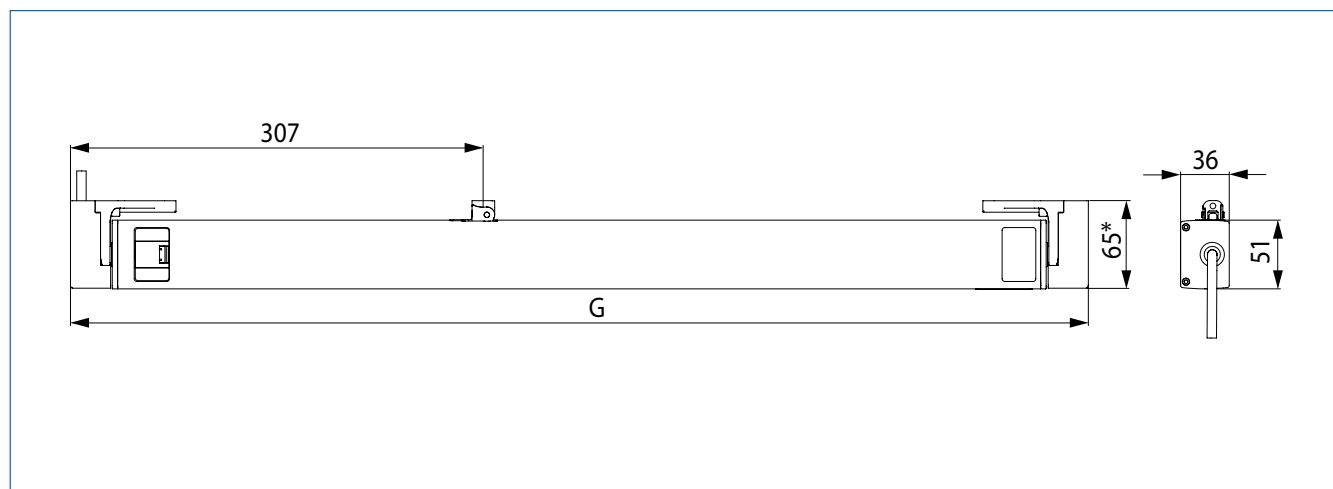
Powerchain	
GENERAL	
Length	Stroke 600: 756 mm, stroke 800: 856 mm, stroke 1200: 1056 mm (each with brackets)
Height	36 mm
Depth	51 mm
Space needed on frame (min.)	Frame installation inward opening: 50/61 mm (for side-hung leaf DIN L), Leaf installation inward opening: 30/41 mm (for side-hung leaf DIN R), Frame installation outward opening: 50 mm
Space needed on leaf (min.)	Frame installation inward opening: 40 mm, leaf installation inward opening: 50 mm, Frame installation outward opening 30/41 mm (for side-hung leaf DIN R)
SPECIFICATIONS	
Possible stroke lengths	600 mm, 800 mm, 1200 mm
Factory presetting:	Ventilation stroke 300 mm (slow speed), Alarm stroke full opening width (fast speed)
Opening speed smoke and heat extraction	15 mm/s
Opening speed ventilation	5 mm/s
Closing speed	5 mm/s
Pulling force (max.)	600 N
Compressive force (max.)	600 N (depending on stroke), see force-path chart
Holding force (max.)	3000 N
Leaf weight (max.) ¹⁾	200 kg
Overlap range ²⁾	0 – 23 mm
ELECTRICAL DATA	
Operating voltage	24 V ± 25 %
Current consumption	Ventilation (24 V): 1.2 A; smoke and heat extraction system (18 V): 1.5 A
Power consumption (max.)	36 W
Duty rating	30 %
Length of connector cable	2 m
Special length of connector cable	5 m, 7.5 m
Cable dimensions	4 x 0.75 mm ²
Temperature range	–5 – 70 °C
IP rating / protection class	IP40 / III
FUNCTIONS	
Stroke length settable	●
Opening speed settable (ventilation)	●
Additional locking mechanism available	●
Type of additional locking mechanism (max.)	2 locking drives
Type of stroke shortening	Synchronising unit, factory setting
End position cut-off extended	electronically via internal pathfinder
End position cut-off retracted	electric, electronic via current consumption
Overload cut-off	●
Complete opening within 60 s	yes, up to 800 mm stroke, including locking drive
Natural smoke and heat exhaust ventilation device tested	●
Synchronisation (max.)	4 drives

TYPES OF INSTALLATION

Bottom-hung window	inward opening outward opening	Frame / leaf Frame
Side-hung window	inward opening outward opening	Frame / leaf Frame
Top-hung window	inward opening outward opening	Frame / leaf Frame
Roof window	outward opening	Frame

● = YES | 1 = The total weight is limited by the hinges and depends on the details provided by the profile system manufacturer. | 2 = Depending on the application and the bracket set

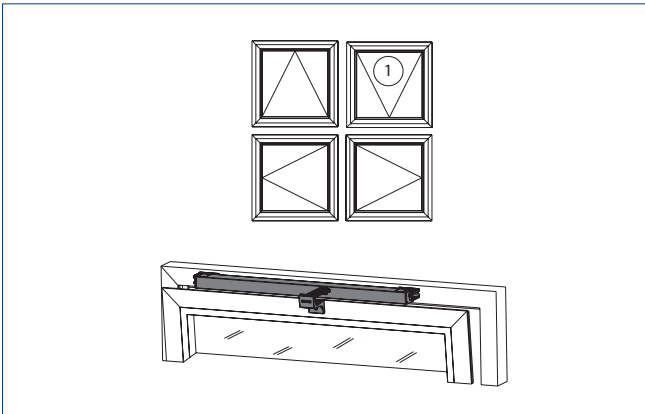
PRODUCT SCALE DRAWING



G = Length | * = Bracket set A

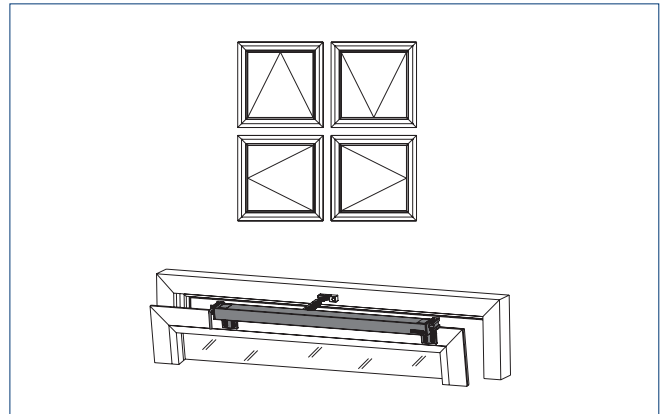
TYPES OF INSTALLATION

Frame installation
INWARD opening



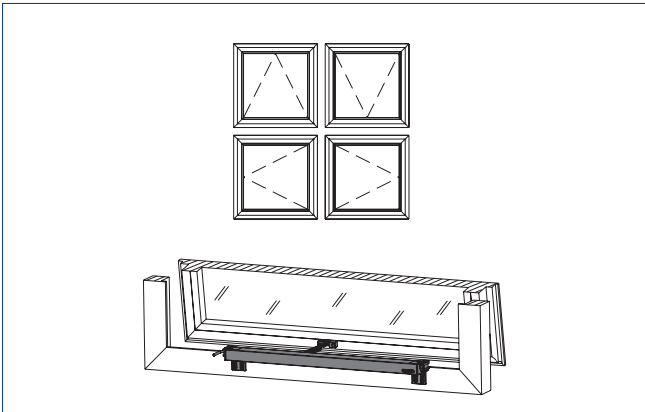
Bracket set A
1 = With bracket set ET

Leaf installation
INWARD opening



Bracket set B

Frame installation
OUTWARD opening



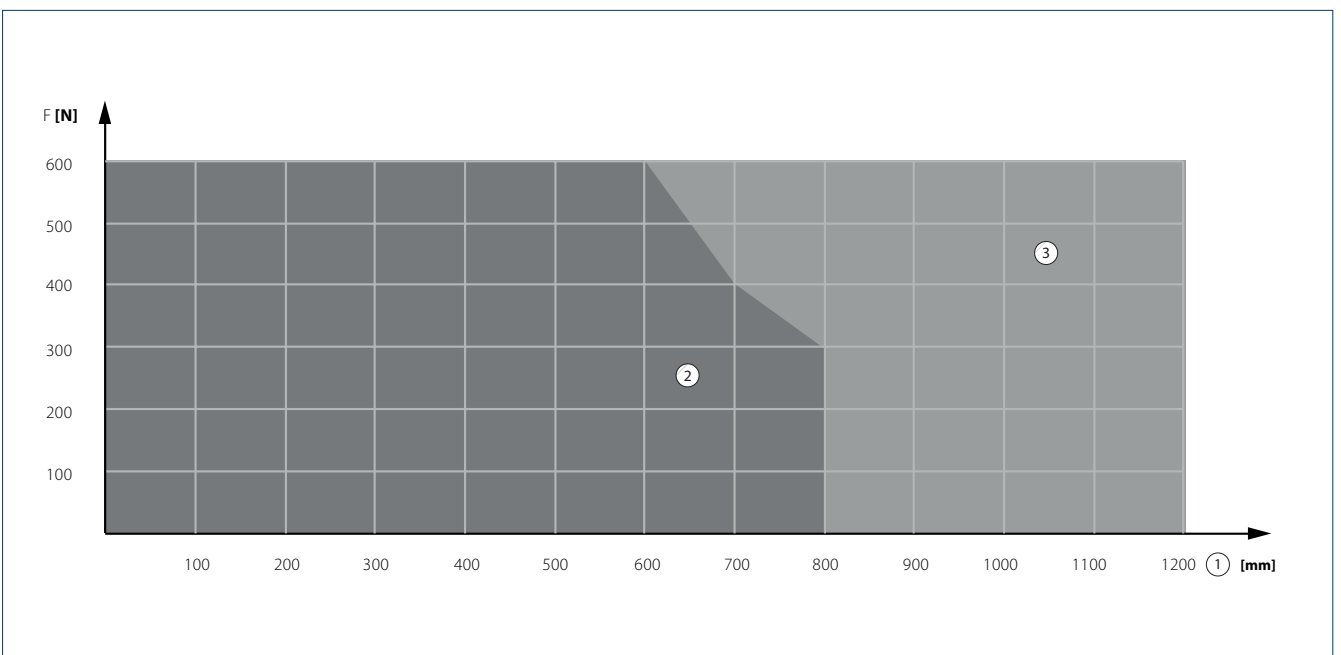
Bracket set B

Skylight leaf frame installation
OUTWARD opening



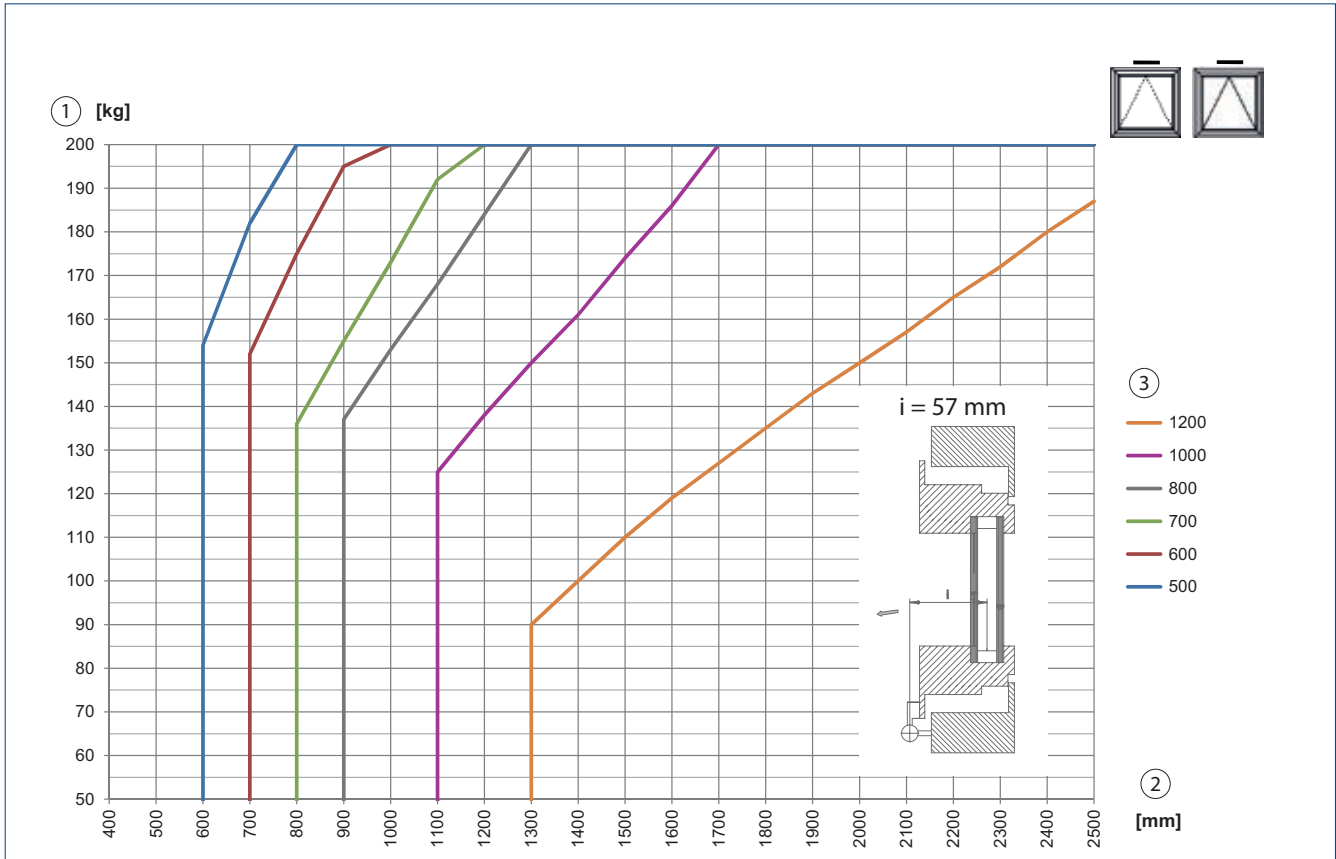
Bracket set D1, D2 or D3

FORCE-PATH CHART



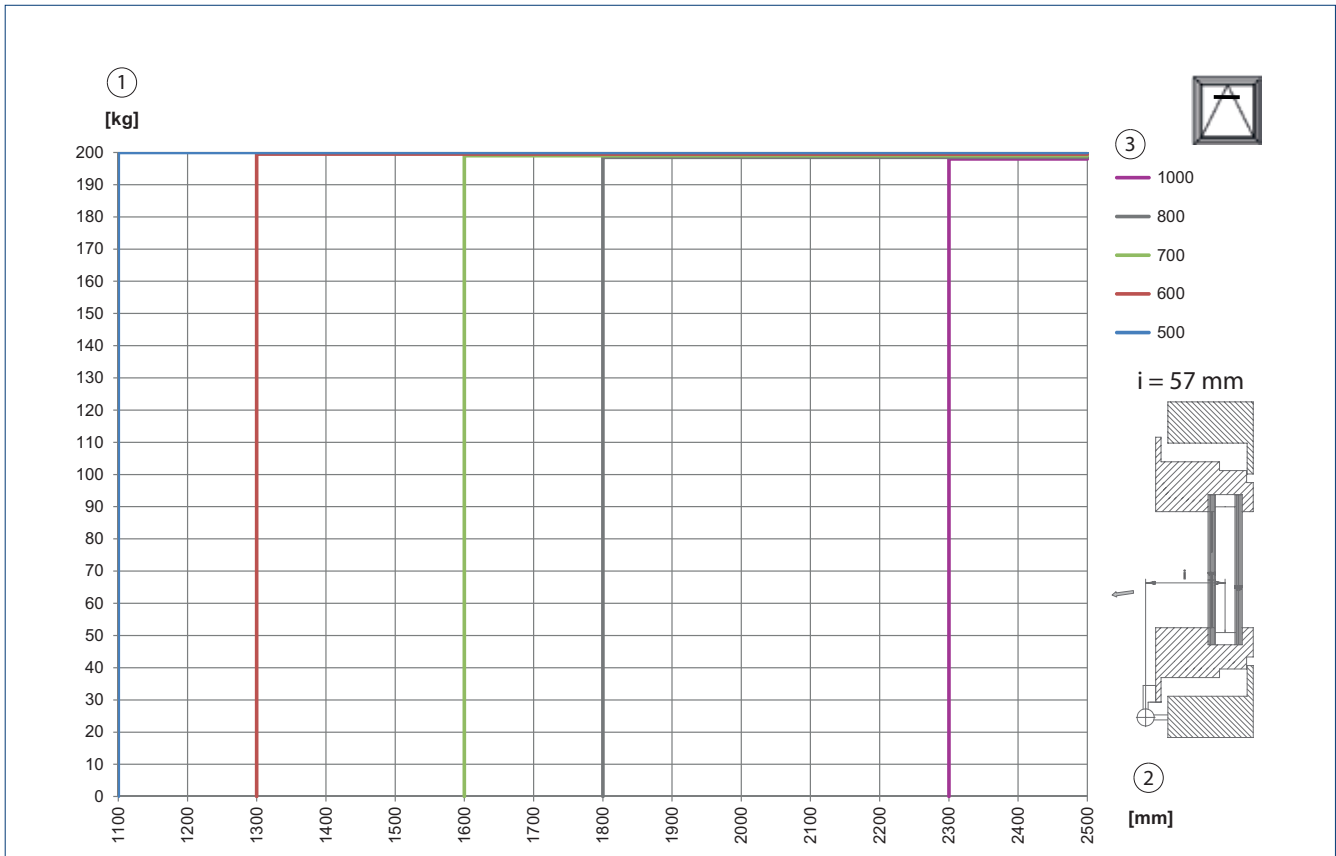
F = Force | 1 = Stroke | 2 = Pressure | 3 = Tension

AREA OF APPLICATION BOTTOM-HUNG WINDOW FRAME INSTALLATION INWARD OPENING / BOTTOM-HUNG WINDOW FRAME INSTALLATION OUTWARD OPENING



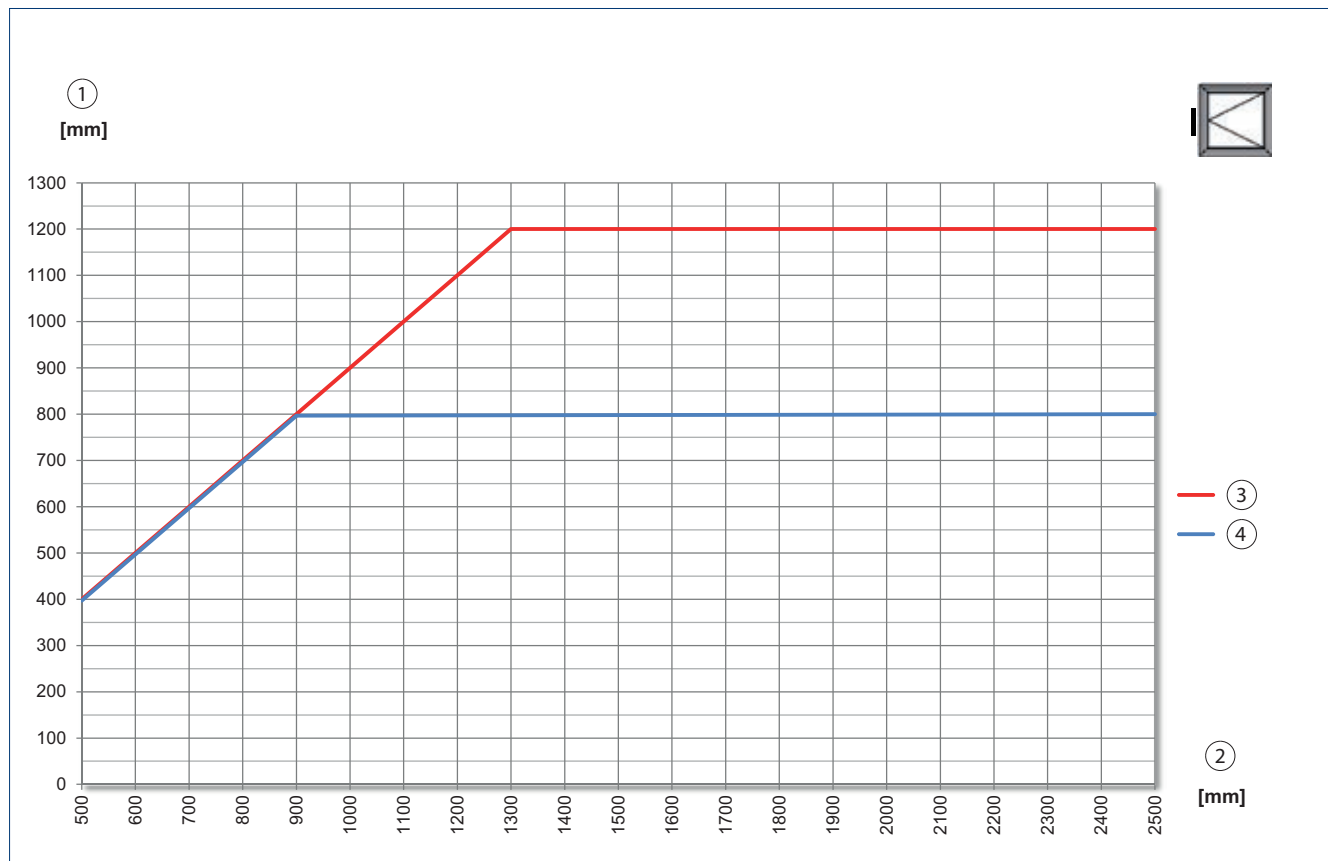
Area of application applies for one Solo drive, for Syncro 2 or Syncro 3 the leaf weight can be doubled or tripled.
The details provided by the profile system manufacturer must be heeded. | 1 = Leaf weight | 2 = Secondary closing edge | 3 = Stroke

AREA OF APPLICATION BOTTOM-HUNG WINDOW LEAF INSTALLATION INWARD OPENING



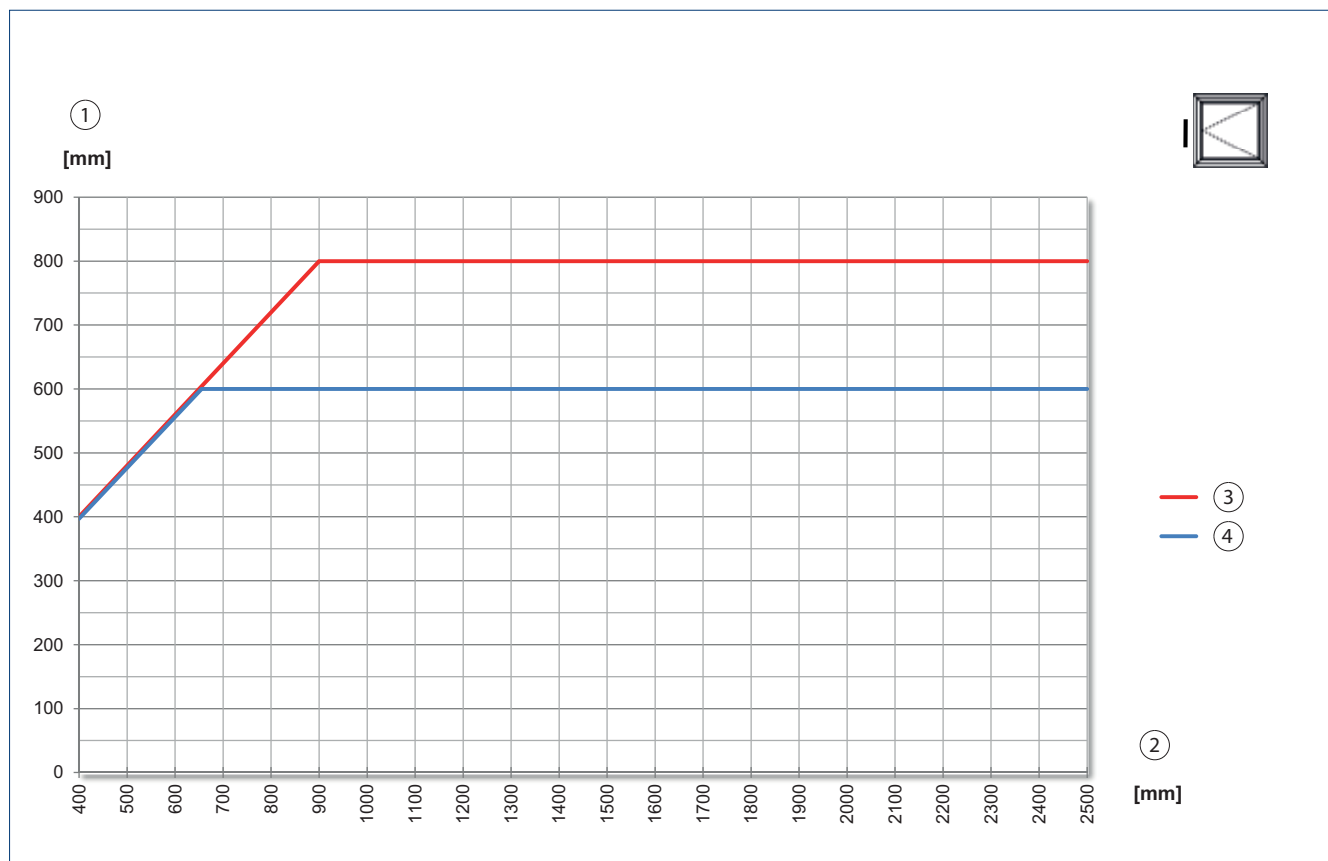
1 = Leaf weight | 2 = Secondary closing edge | 3 = Stroke

MINIMUM LEAF WIDTH SIDE-HUNG WINDOW FRAME INSTALLATION INWARD OPENING



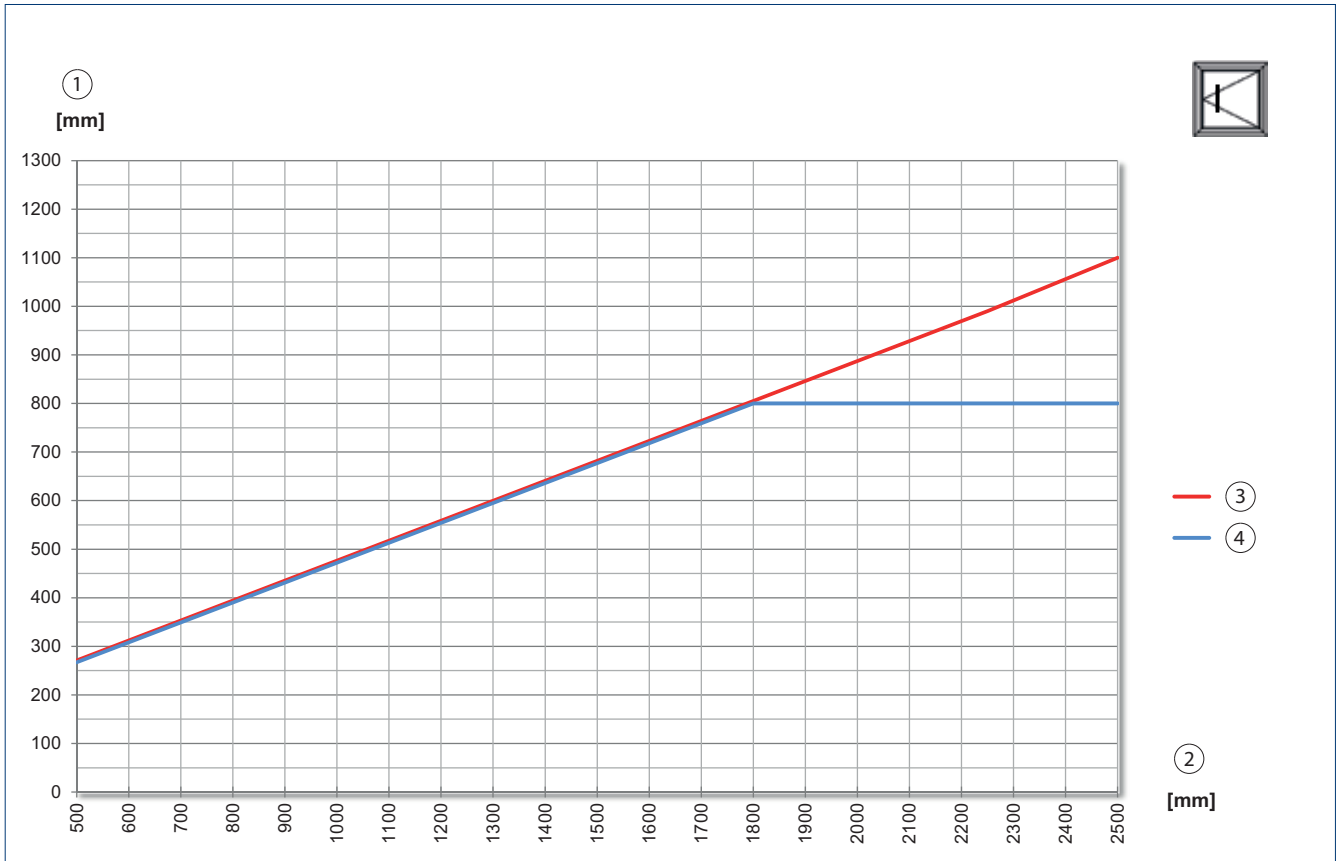
1 = Stroke | 2 = Secondary closing edge | 3 = Alarm | 4 = Ventilation

MINIMUM LEAF WIDTH SIDE-HUNG WINDOW FRAME INSTALLATION OUTWARD OPENING



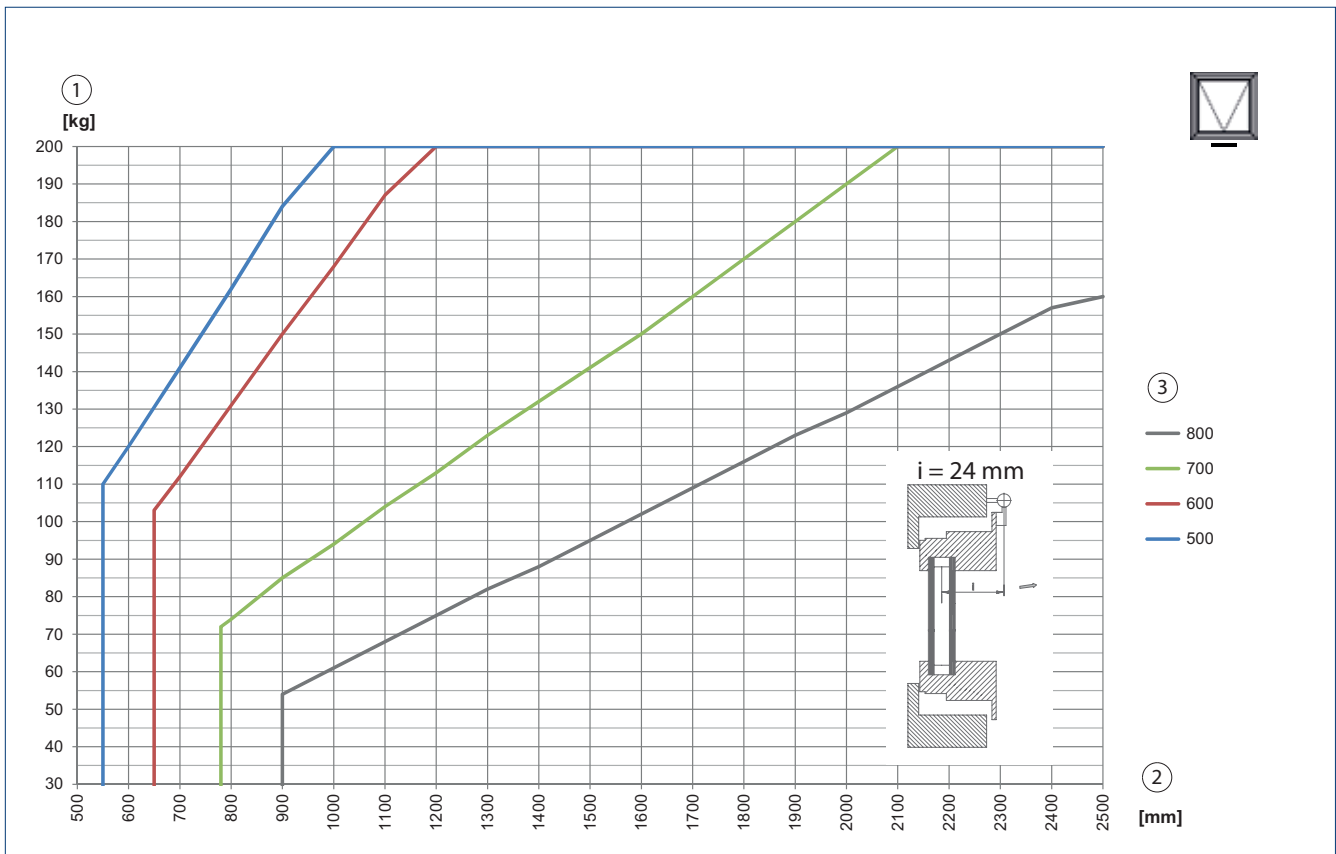
1 = Stroke | 2 = Secondary closing edge | 3 = Alarm | 4 = Ventilation

MINIMUM LEAF WIDTH SIDE-HUNG WINDOW LEAF INSTALLATION INWARD OPENING



1 = Stroke | 2 = Secondary closing edge | 3 = Alarm | 4 = Ventilation

AREA OF APPLICATION TOP-HUNG WINDOW FRAME INSTALLATION OUTWARD OPENING

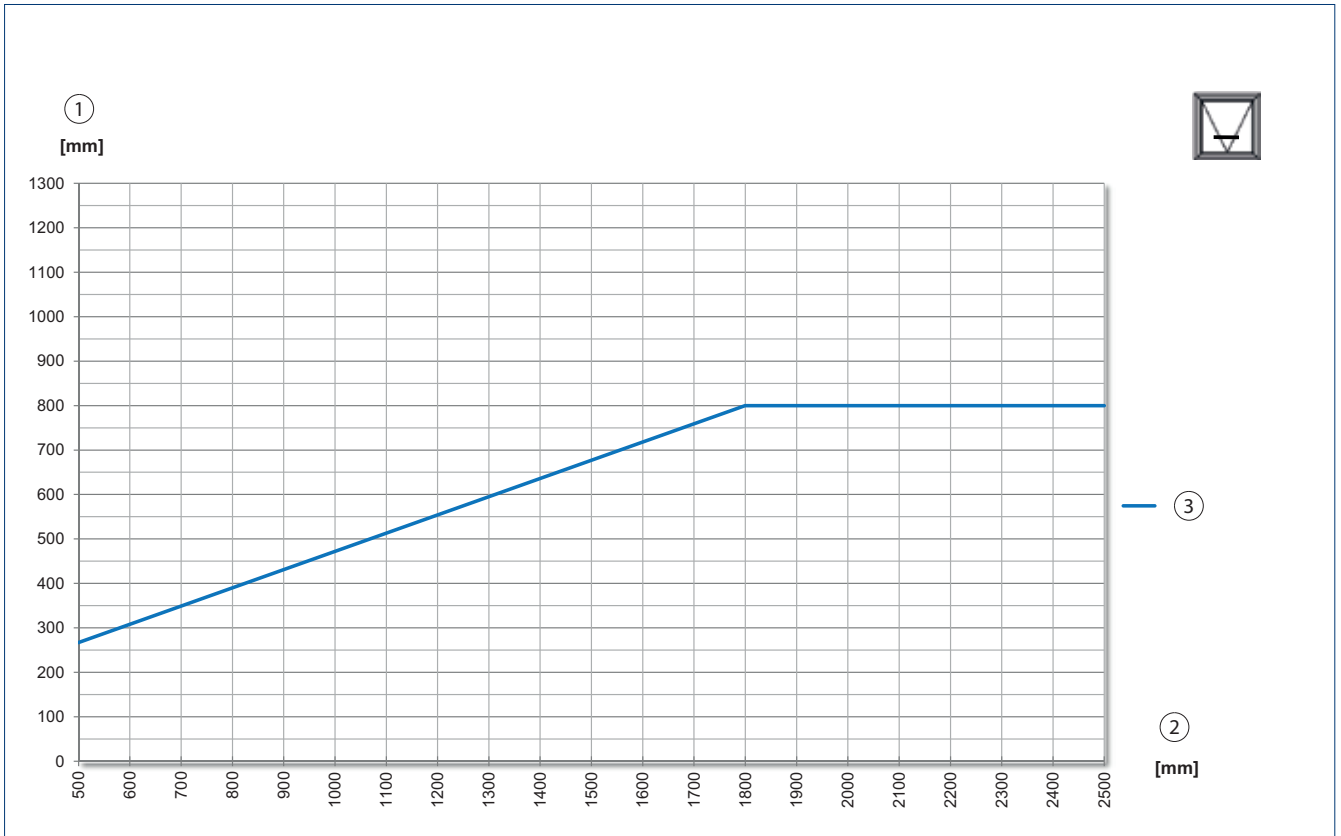


Area of application applies for one Solo drive, for Syncro 2 or Syncro 3 the leaf weight can be doubled or tripled.

The details provided by the profile system manufacturer must be heeded.

1 = Leaf weight | 2 = Secondary closing edge | 3 = Stroke

MINIMUM LEAF HEIGHT TOP-HUNG WINDOW LEAF INSTALLATION INWARD OPENING

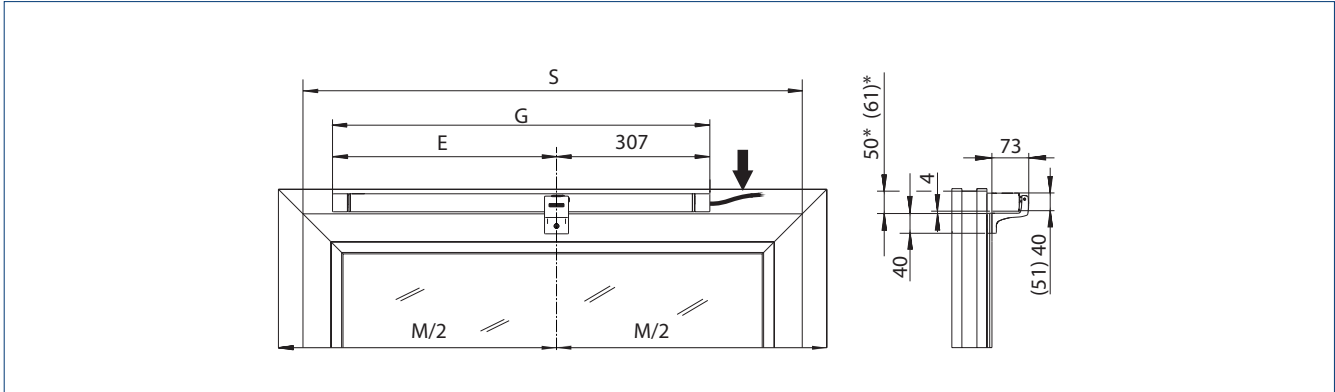


Area of application applies for one Solo drive, for Syncro 2 or Syncro 3 the leaf weight can be doubled or tripled.
 The details provided by the profile system manufacturer must be heeded.
 1 = Stroke | 2 = Secondary closing edge | 3 = Ventilation/alarm

SPACE NEEDED

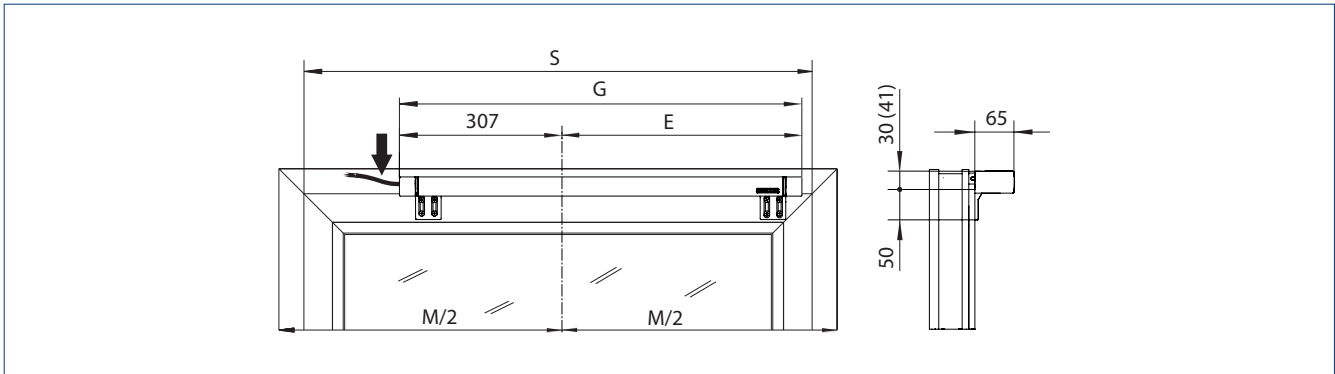
Stroke	E [mm]	G [mm]	S [mm]
600	449	756	900
800	549	856	1100
1200	749	1056	1500

SPACE NEEDED FOR FRAME INSTALLATION INWARD OPENING



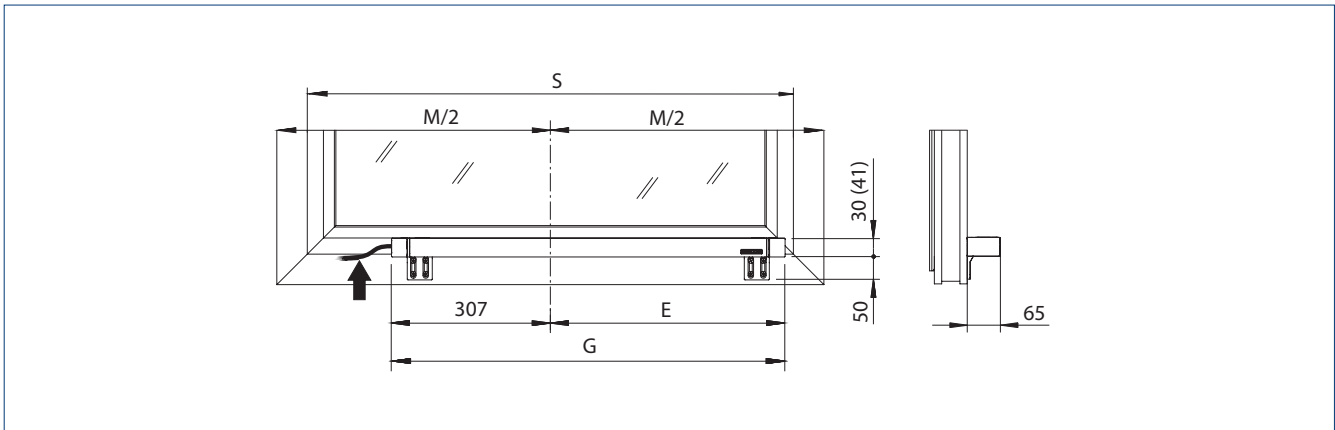
See table for dimensions for E, G and S
Dimensions in brackets apply for side-hung windows DIN left I* = Swivelling range

SPACE NEEDED FOR LEAF INSTALLATION INWARD OPENING



See table for dimensions for E, G and S
Dimension in brackets applies for side-hung windows DIN right

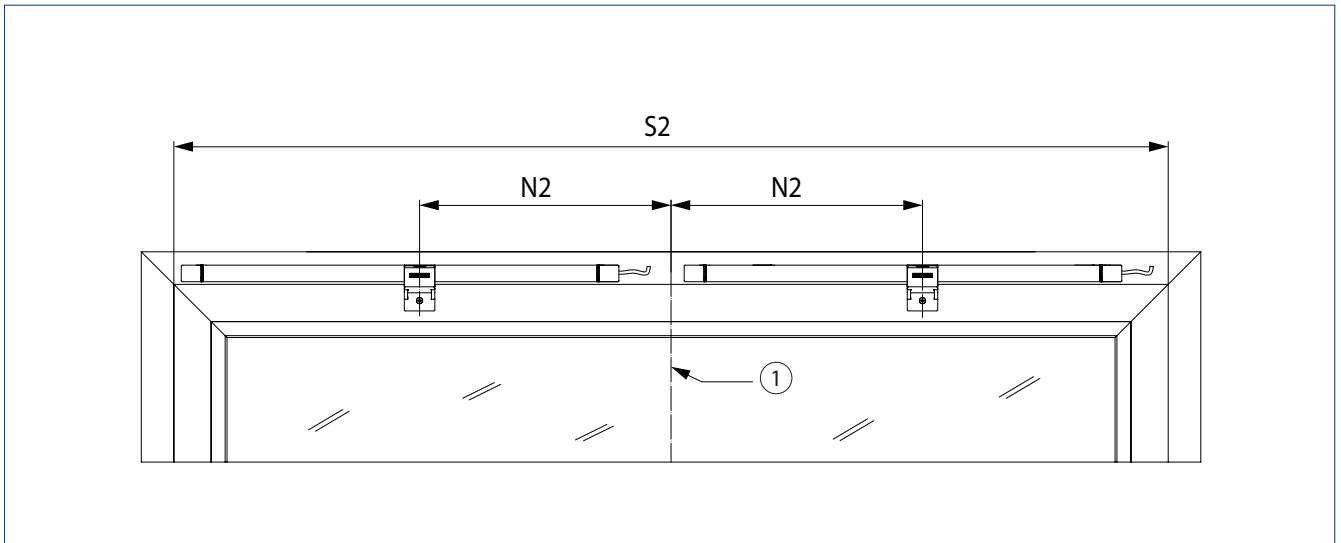
SPACE NEEDED FOR FRAME INSTALLATION OUTWARD OPENING



See table for dimensions for E, G and S
Dimension in brackets applies for side-hung windows DIN right

SPACE NEEDED - SYNCRO 2

SPACE NEEDED FOR INSTALLATION WITH TWO DRIVES

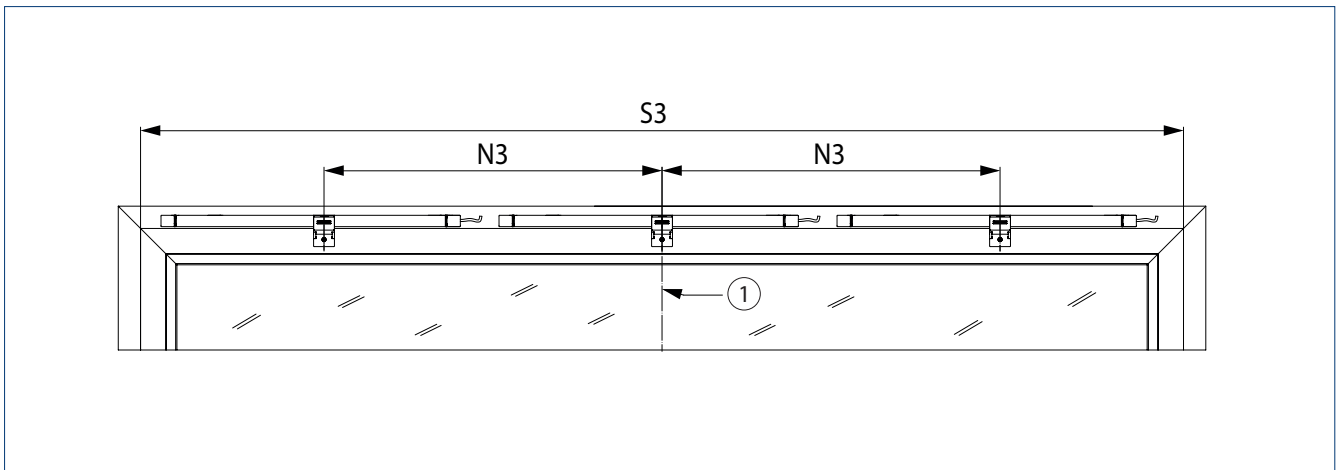


See table for dimensions for S2 and N2
1 = Centre of window

Stroke	N2 [mm]	S2 [mm]	ID no. EV1/white RAL 9016	Number
600	400	1700	147080/147081	2
800	450	2000	147090/147091	2
1200	550	2600	147100/147101	2

SPACE NEEDED - SYNCRO 3

SPACE NEEDED FOR INSTALLATION WITH THREE RIGHT-HAND DRIVES

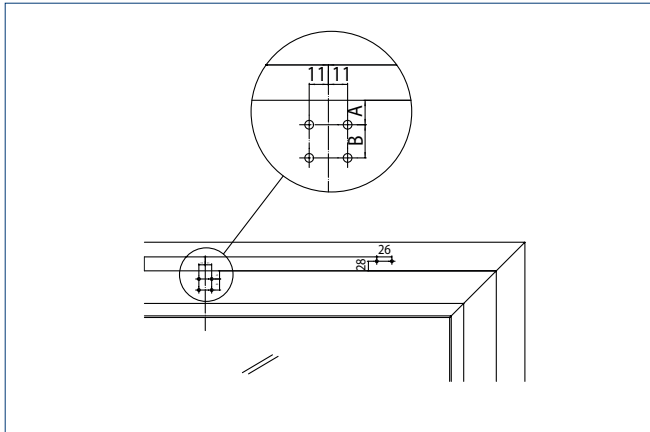


See table for dimensions for S3 and N3
1 = Centre of window

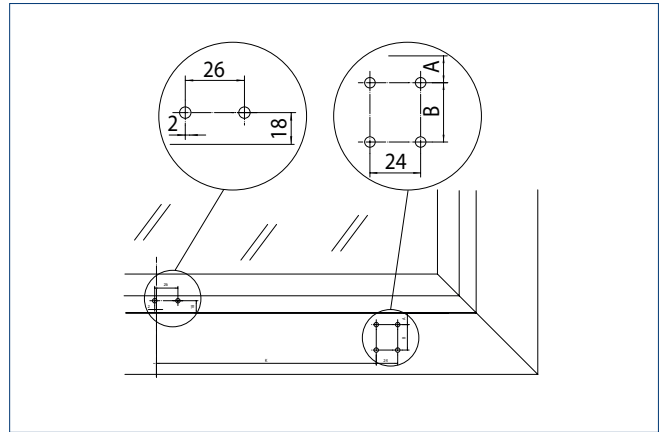
Stroke	N3 [mm]	S3 [mm]	ID no. EV1/white RAL 9016	Number
600	800	2490	147080/147081	3
800	900	2890	147090/147091	3
1200	1100	3690	147100/147101	3

INSTALLATION DIMENSIONS – RECOMMENDATION

Frame installation
INWARD opening



Leaf installation
INWARD opening



Frame installation
OUTWARD opening

Material	Manufacturer	Profile system	Frame installation INWARD opening		Leaf installation INWARD opening		Frame installation OUTWARD opening	
			A	B	A	B	A	B
Aluminium	Aluprof	MB-60	14	19	13	22	–	–
		MB-70	14	19	13	22	–	–
	Gutmann	S70	14	19	13	22	–	–
		065	14	19	13	22	16	22
	Heroal	110ES	14	19	13	22	16	22
		Lambda 65	14	19	13	22	15	17
	Hueck	Lambda 77	14	19	13	22	15	17
		Frame+ 65 W	14	19	13	22	14	17
	Raico	Frame+ 75 WB	14	19	13	22	14	17
		1074	14 ¹⁾	19 ¹⁾	13 ¹⁾	20 ¹⁾	19 ²⁾	14 ²⁾
	SAPA	1086	14 ³⁾	18 ³⁾	13 ³⁾	19 ³⁾	–	–
		AWS 65	14	19	14	22	14	24
	Schueco	AWS 75	14	19	14	22	14	24
		Wicline 65 EVO	14	11	14	22	14	17
Wicona	Wicline 75 EVO	14	11	14	22	14	17	
	EgoKiefer	AS1	17	11	17	23	–	–
Plastic	Profine	Kömmerling 88plus ⁴⁾	18	14	11	19	–	–
		Alphaline 90	15	18	15	20	–	–
	Veka	Softline 82 MD	15	18	15	20	–	–
Wood	Gutmann	Mira	22	11	22	17	–	–
	Landgraf	IV79	22	11	22	17	–	–
	Oertli	IV68/IV80	22	11	22	17	–	–

All dimensions in mm

- 1) All profile combinations containing profile number 74102, 74112, 74202 or 74203 allowed
- 2) All profile combinations containing profile number 74052 allowed
- 3) All profile combinations containing profile number 86102, 86112 or 86302 allowed
- 4) On-site supports required, since door overlap 24 mm

Further profile ranges on request

ORDER INFORMATION

Designation	Stroke	Version	ID no.
Powerchain	600 mm	EV1	147080
	600 mm	white RAL 9016	147081
	800 mm	EV1	147090
	800 mm	white RAL 9016	147091
	1200 mm	EV1	147100
	1200 mm	white RAL 9016	147101
Powerchain – special version Can be configured: Stroke, cable length, colour			147120
ACCESSORIES			
Safety scissors no. 35		galvanised	014499
Safety scissors no. 60		galvanised	133814
Bracket set A Powerchain For bottom-hung, side-hung and top-hung windows, frame installation INWARD opening		white RAL 9016 black	147111 147110
Bracket set B Powerchain For bottom-hung, side-hung and top-hung windows, leaf installation INWARD opening and frame installation OUTWARD opening Roof profile system: Aluprof MB-SR 50, Reynaers CW 50, Raico Wing 105 DI		white RAL 9016 black	147113 147112
Bracket set for Powerchain Can be configured: Type of opening, opening direction, type of installation, colour		acc. to RAL	147121
Bracket set roof D1 For roof window frame installation OUTWARD opening. For roof profile system: Heroal C50, Hueck 85E, Wicona Wictec 50-60		black	154869
Bracket set roof D2 For roof window frame installation OUTWARD opening. For roof profile system: Akotherm AT 500F, Alcoa AA100, Heroal 180, Hueck VF50, MGlass		silver	154870
Bracket set roof D3 For roof window frame installation OUTWARD opening. For roof profile system: Schüco AWS 57RO		silver	158053
Bracket set roof Can be configured: Profile system, colour		acc. to RAL	159901
Bracket set ET For top-hung window frame installation INWARD opening		white black	161139 161140

→ **Note:** For product liability reasons, when using a chain drive on a bottom-hung window, GEZE prescribes the use of separate 'GEZE safety scissors'. The GEZE safety scissors ensure that a permanent fixed connection between the frame and leaf is guaranteed – independently of the drive.

Bracket sets



Bracket set A Powerchain
(147110)



Bracket set B Powerchain
(147112)



Bracket set roof D1 (154869)



Bracket set roof D2 (154870)



Bracket set roof D3 (158053)



Bracket set ET (161140)

E 250 NT



Compact design spindle drive
with a wide area of application

AREAS OF APPLICATION

- Smoke and heat extraction system (SHEV) and natural ventilation (24 V) for direct opening in the façade and roof area
- Inward and outward-opening windows with bottom-hung, top-hung and side-hung leaves
- Can be used in the exhaust air and air intake
- Secured outer area (e.g. conservatories) with variant E 250 NT AB
- Installation on wooden, PVC or metal windows

PRODUCT FEATURES

- Drive stroke and individual speeds with variable adjustment for ventilation and smoke and heat extraction
- Synchronisation of max. four drives without external control unit
- Easy change of the mode of operation (Solo and Syncro, master/slave) via DIP switch
- IQ windowdrive – intelligent drive control
- Tested as natural smoke and heat exhaust ventilation device in accordance with EN 12101-2

TECHNICAL DATA

E 250 NT

GENERAL

Dimensions (W x H x D) Stroke + 284 x 40 x 47 mm

SPECIFICATIONS

Possible stroke lengths 100 mm, 150 mm, 200 mm, 230 mm, 300 mm, 500 mm, 750 mm, 1000 mm

Opening speed smoke and heat extraction 5.7 mm/s, stroke 500: 9.5 mm/s

Opening speed ventilation 5 mm/s

Pulling force (max.) 750 N

Compressive force (max.) 750 N

Holding force (max.) 2000 N

ELECTRICAL DATA

Operating voltage 24 V

Current consumption Ventilation (24 V): 0.9 A; SHEV (18 V): 1.0 A
Stroke 500: Ventilation (24 V): 1.1 A; smoke and heat extraction system (18 V): 1.3 A

Power consumption (max.) 20 W

Duty rating 30 %

Length of connector cable 2 m

Special length of connector cable 5 m, 7.5 m

Cable dimensions 4 x 0.75 mm²

Temperature range -5 – 70 °C

IP rating / protection class IP65 / III

FUNCTIONS

Stroke length settable ●

Syncro function ●

Opening speed settable (ventilation) ●

Additional locking mechanism available ●

Type of additional locking mechanism (max.) 2 locking drives

Type of stroke shortening Factory setting, synchronising unit

End position cut-off extended electronically via path and load

End position cut-off retracted electronically via path and load

Overload cut-off ●

Complete opening within 60 s yes, up to 500 mm stroke

Natural smoke and heat exhaust ventilation device tested yes, up to 500 mm stroke

Synchronisation (max.) 4 drives

TYPES OF INSTALLATION

Bottom-hung window inward opening
outward opening Frame / leaf
Frame

Side-hung window inward opening
outward opening Frame / leaf
Frame

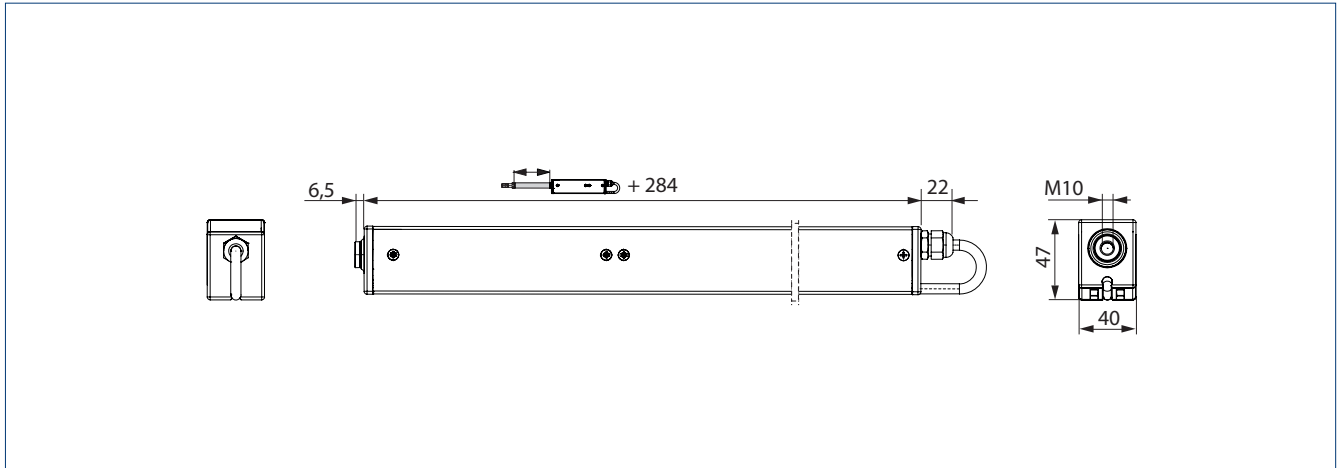
Top-hung window inward opening
outward opening Frame / leaf
Frame

Roof window outward opening Frame

Louvre window Frame

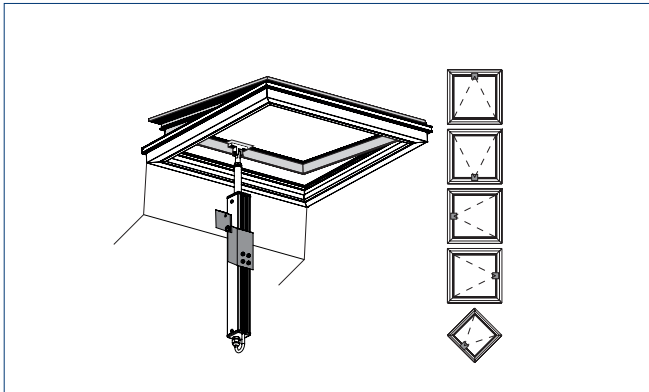
● = YES

PRODUCT SCALE DRAWING



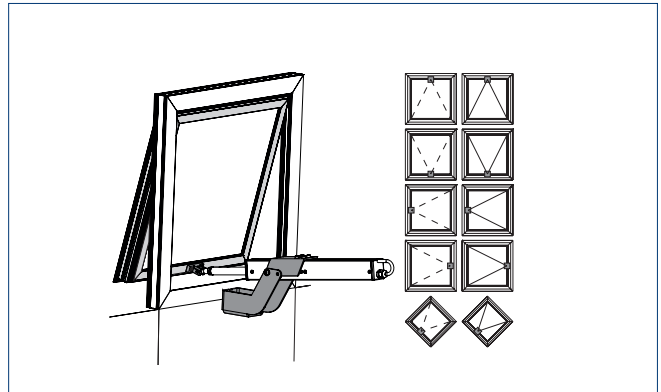
TYPES OF INSTALLATION

Roof windows and skylight domes
OUTWARD opening



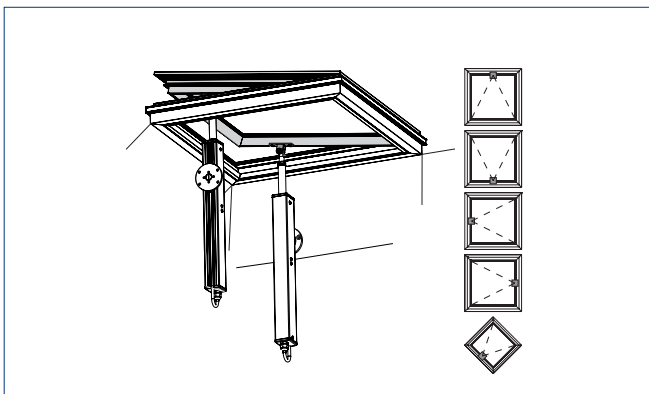
Standard bracket for installation on lintel of the main closing edge

Bottom-hung, top-hung, side-hung and roof windows
INWARD or OUTWARD opening



INWARD opening bracket for installation on frame or main closing edge

Roof windows and skylight domes
OUTWARD opening



Rotating bracket for installation on the lintel of the secondary closing edge

INSTALLATION

MINIMUM LEAF HEIGHTS FOR INWARD OPENING BOTTOM-HUNG, TOP-HUNG AND SIDE-HUNG WINDOWS

Stroke	Leaf height
100 mm	–
150 mm	–
200 mm	200 mm
230 mm	230 mm
300 mm	300 mm
500 mm	600 mm

MINIMUM LEAF HEIGHTS FOR OUTWARD OPENING BOTTOM-HUNG, TOP-HUNG AND SIDE-HUNG WINDOWS

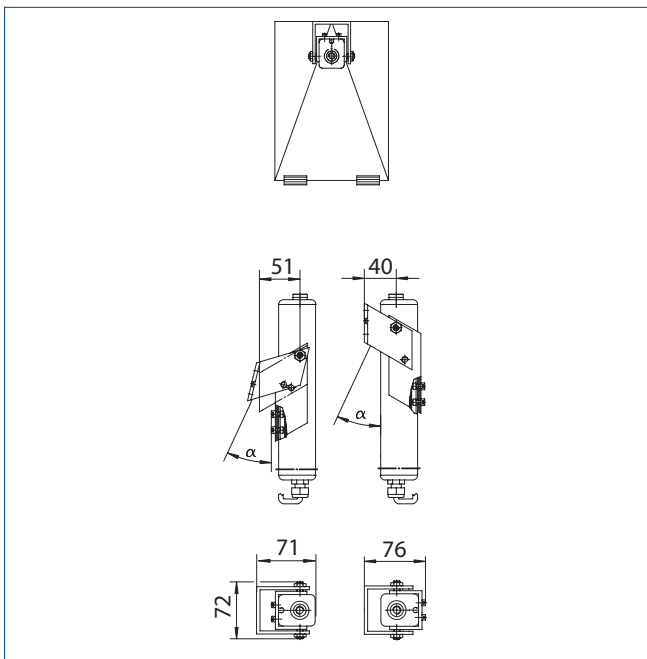
Stroke	Leaf height
100 – 300 mm	400 mm
500 mm	600 mm

MINIMUM LEAF HEIGHTS FOR ROOF WINDOWS AND SKYLIGHT DOMES

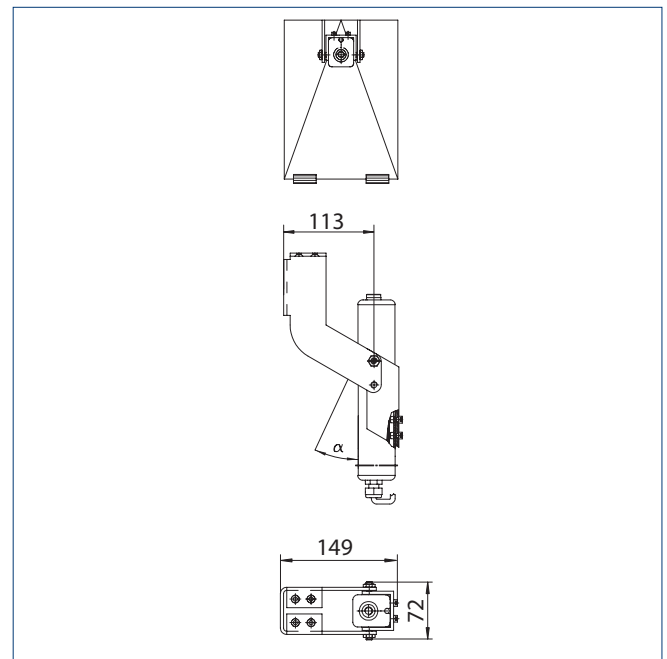
Stroke	Leaf height
100 mm	220 mm
150 mm	270 mm
200 mm	320 mm
230 mm	350 mm
300 mm	440 mm
500 mm	670 mm
700 mm	910 mm
750 mm	980 mm
1000 mm	1270 mm

SOLO APPLICATION ON THE MAIN CLOSING EDGE

Leaf weight max. 100 kg, leaf width < 1200 mm



Standard bracket

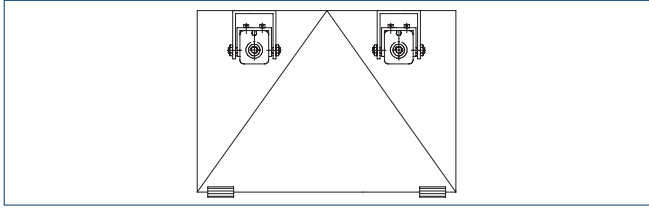


INWARD opening bracket

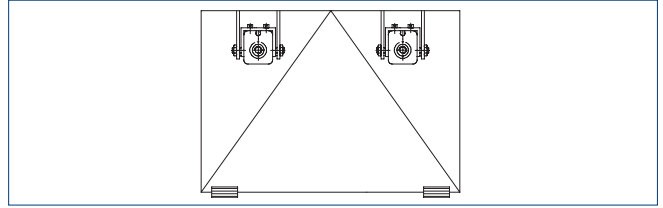
INSTALLATION - SYNCRO 2

SYNCRO APPLICATION AT THE MAIN CLOSING EDGE

Leaf weight max. 200 kg, leaf width < 2400 mm

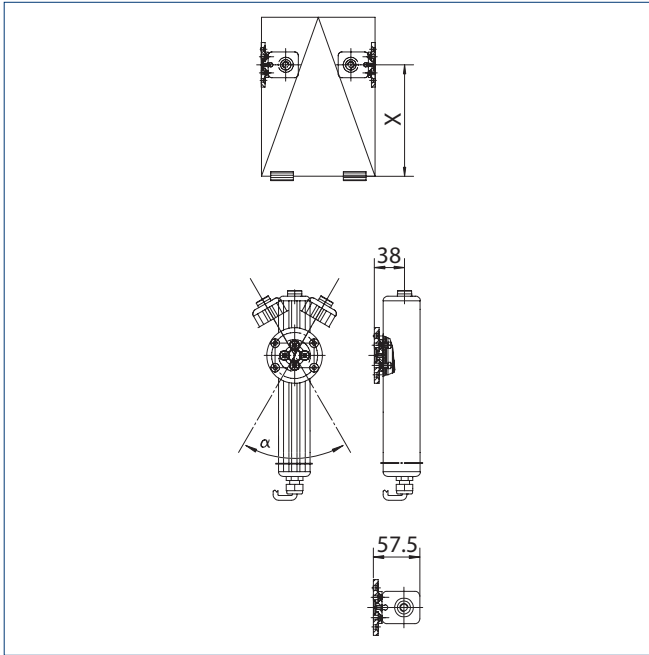


Standard bracket

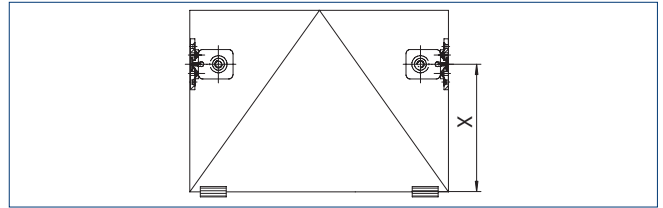


INWARD opening bracket

SYNCRO APPLICATION AT THE SECONDARY CLOSING EDGE

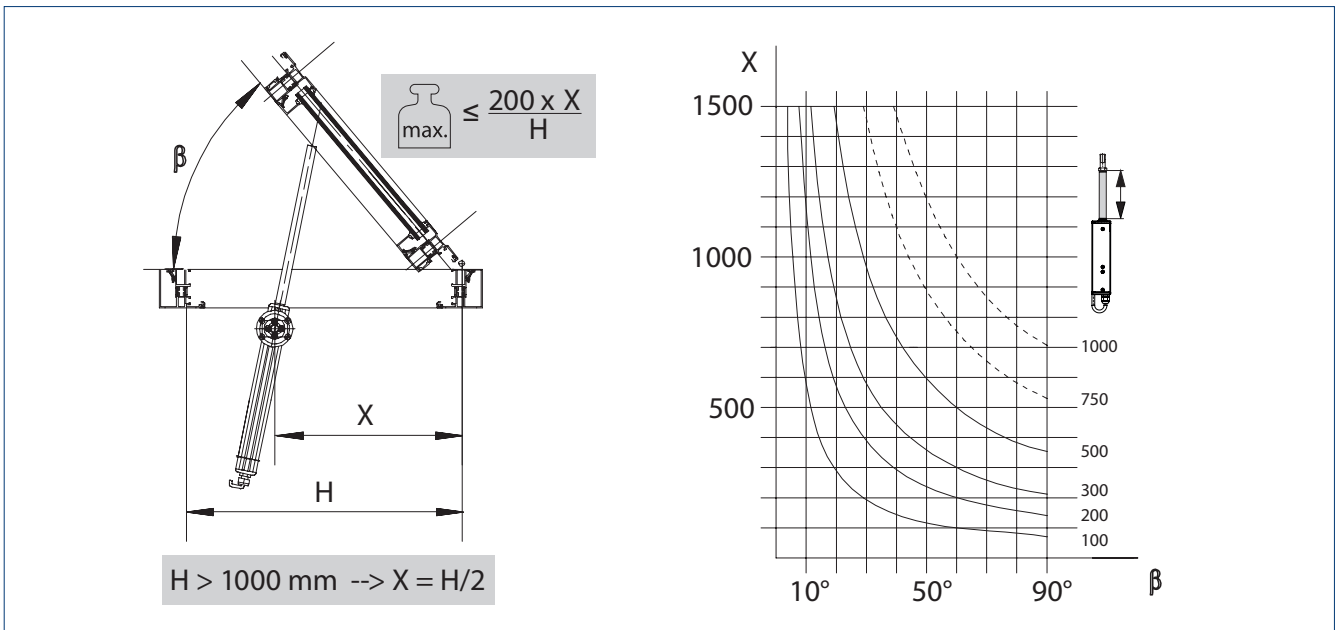


Rotating bracket



Rotating bracket

DETERMINING THE OPENING ANGLE USING THE ROTATING BRACKET

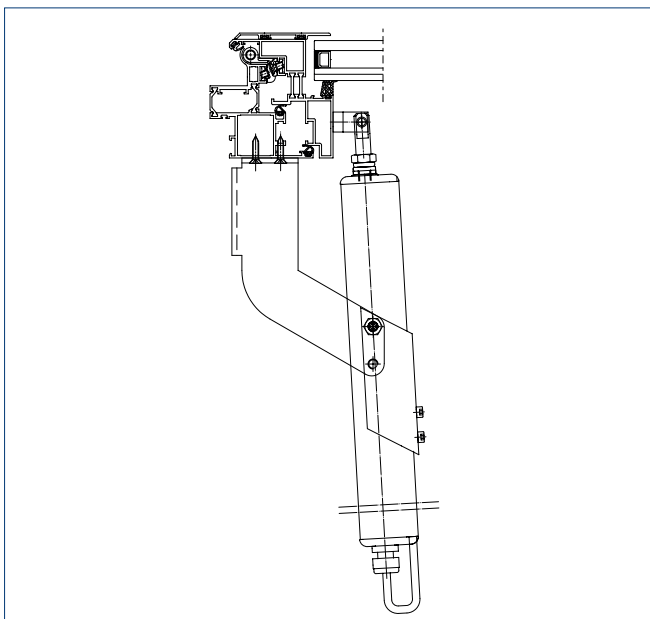


H = Secondary closing edge | X = Fitting dimension | β = Opening angle

PROFILE-SPECIFIC INSTALLATION

WICONA WICTEC 50/60

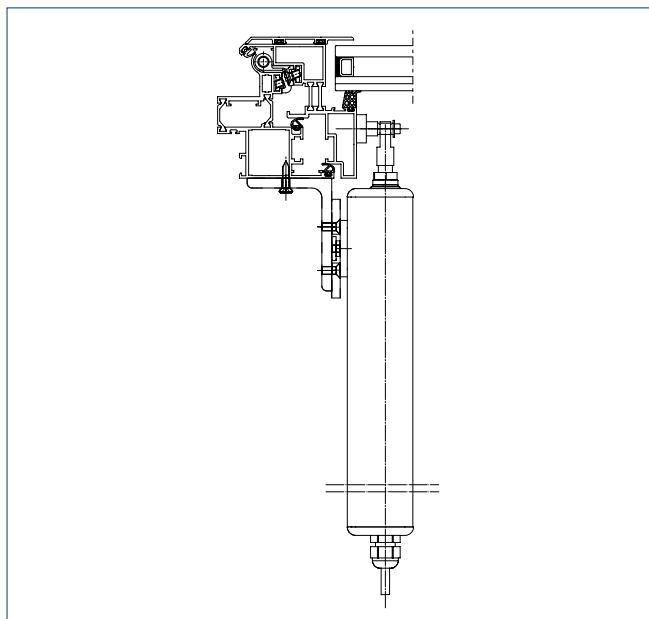
Installation on main closing edge



Bracket INWARD OPENING E 250 NT / E 350 N, incl. standard leaf bracket (ID no. 027218)

WICONA WICTEC 50/60

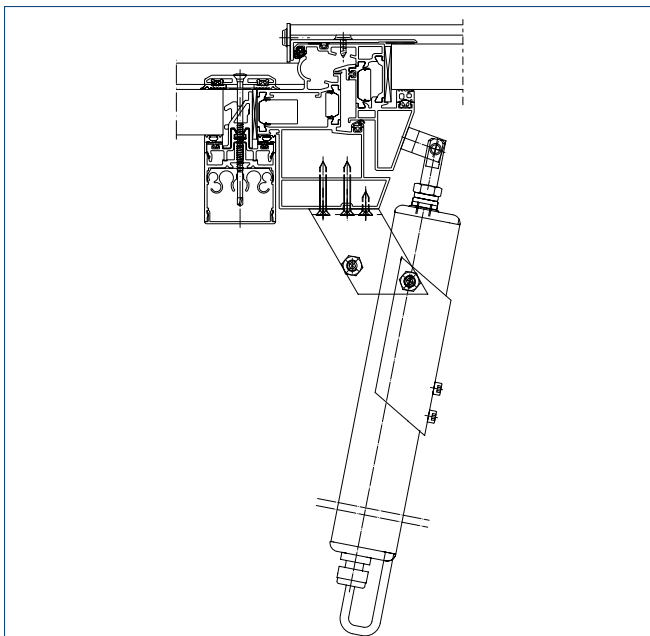
Installation on secondary closing edge



Leaf bracket E 1500 NSK W-HU (ID no. 136187) | Rotating bracket E 250 NT NSK / E 350 N, incl. bracket mount E 250 and eye bolt \varnothing 8 mm (ID no. 138367)

SCHÜCO AWS57

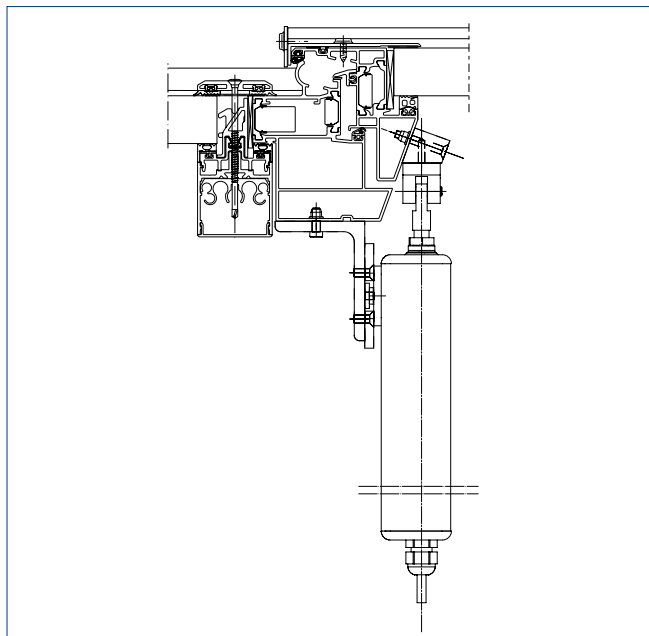
Installation on main closing edge



Standard bracket E 250 NT / E 350 N, incl. standard leaf bracket (ID no. 019032)

SCHÜCO AWS57

Installation on secondary closing edge



Adapter for bracket E 250 NSK S (ID no. 138370) | Rotating bracket E 250 NT + E 350 N (ID no. 116112) | Bracket E 250 NSK (ID no. 138369)

For further profile-specific solutions for Heroal, Alcoa, Hueck and Aluprof see installation diagram 45130-EP-002.

ORDER INFORMATION

Designation	Stroke	ID no.	ID no.
E 250 NT	100 mm	EV1	146499
	100 mm	white RAL 9016	146500
	100 mm	acc. to RAL	146651
	150 mm	EV1	146652
	150 mm	white RAL 9016	146653
	150 mm	acc. to RAL	146654
	200 mm	EV1	146655
	200 mm	white RAL 9016	146656
	200 mm	acc. to RAL	146657
	230 mm	EV1	146658
	230 mm	white RAL 9016	146659
	230 mm	acc. to RAL	146660
	300 mm	EV1	146661
	300 mm	white RAL 9016	146662
	300 mm	acc. to RAL	146663
	500 mm	EV1	146664
	500 mm	white RAL 9016	146665
	500 mm	acc. to RAL	146666
	750 mm	EV1	146670
	750 mm	white RAL 9016	146671
750 mm	acc. to RAL	146672	
1000 mm	EV1	146673	
1000 mm	white RAL 9016	146674	
1000 mm	acc. to RAL	146675	
E 250 NT – special version Can be configured: Stroke, cable length, colour, variant E 250 NT AB			146676

ACCESSORIES

Rotating bracket E 250 NT NSK with eye bolt and bracket mount suitable for installation on the secondary closing edge of roof windows			138367
Rotating bracket E 250 NT with eye bolts and leaf bracket		EV1 white RAL 9016 acc. to RAL	116112 116113 116114
Bracket INWARD opening E 250 NT with eye bolts and leaf bracket		EV1 white RAL 9016 acc. to RAL	027218 027223 027222
Standard bracket E 250 NT with eye bolts and leaf bracket		EV1 white RAL 9016 acc. to RAL	019032 020879 020878
Adapter for bracket E 250 NT NSK-S suitable for installation on the secondary closing edge of roof windows (Schüco AWS57 RO)			138370
Eye bolt E 250 NT DRM suitable for installation on the secondary closing edge of roof windows			138368
Bracket E 250 NT NSK suitable for installation on the secondary closing edge of roof windows			138369
Leaf bracket E 1500 HSK HE suitable for installation on the main closing edge of roof windows (Heroal), can also be used for E 250 NT			136190
Leaf bracket E 1500 NSK A-HU suitable for installation on the secondary closing edge of roof windows (Alcoa AA 100, Hueck VF 50/60), can also be used for E 250 NT			136189
Leaf bracket E 1500 NSK HE suitable for installation on the secondary closing edge of roof windows (Heroal 85 D), also suitable for E 250 NT			136188
Leaf bracket E 1500 NSK W-HU suitable for installation on the secondary closing edge of roof windows (Wicono WT 50/60, Hueck 85 E), can also be used for E 250 NT			136187
Leaf bracket E 1500/ E 3000 NSK AP suitable for installation on the secondary closing edge of roof windows (Aluprof MB-SR50), can also be used for E 250 NT			140713

Accessories



Rotating bracket E 250 NT
(116112)



Bracket INWARD opening E 250 NT
(027218)



Standard bracket E 250 NT
(019032)

E 350 N



Spindle drive in 230 V version
with extensive bracket programme

AREAS OF APPLICATION

- Direct opener for natural ventilation (230 V) in the façade and roof area
- Inward and outward-opening windows with bottom-hung, top-hung and side-hung leaves
- Installation on wooden, PVC or metal windows

PRODUCT FEATURES

- Compact design
- Versatile thanks to extensive bracket programme
- Robust design with mechanical load cut-off and IP rating IP65

TECHNICAL DATA**E 350 N****GENERAL**

Dimensions (W x H x D)	Stroke + 340 x 40 x 47 mm
------------------------	---------------------------

SPECIFICATIONS

Possible stroke lengths	100 mm, 150 mm, 200 mm, 230 mm, 300 mm, 500 mm, 700 mm, 750 mm, 1000 mm
-------------------------	--

Opening speed ventilation	5 mm/s
---------------------------	--------

Pulling force (max.)	750 N
----------------------	-------

Compressive force (max.)	750 N
--------------------------	-------

Holding force (max.)	2000 N
----------------------	--------

ELECTRICAL DATA

Operating voltage	230 V
-------------------	-------

Current consumption	0.15 A
---------------------	--------

Power consumption (max.)	35 W
--------------------------	------

Duty rating	50%
-------------	-----

Length of connector cable	2.5 m
---------------------------	-------

Cable dimensions	3 x 0.75 mm ²
------------------	--------------------------

Temperature range	-20 – 70 °C
-------------------	-------------

IP rating/protection class	IP65 / II
----------------------------	-----------

FUNCTIONS

End position cut-off extended	mechanical load cut-off
-------------------------------	-------------------------

End position cut-off retracted	mechanical load cut-off
--------------------------------	-------------------------

Overload cut-off	●
------------------	---

TYPES OF INSTALLATION

Bottom-hung window	inward opening outward opening	Frame / leaf Frame
--------------------	-----------------------------------	-----------------------

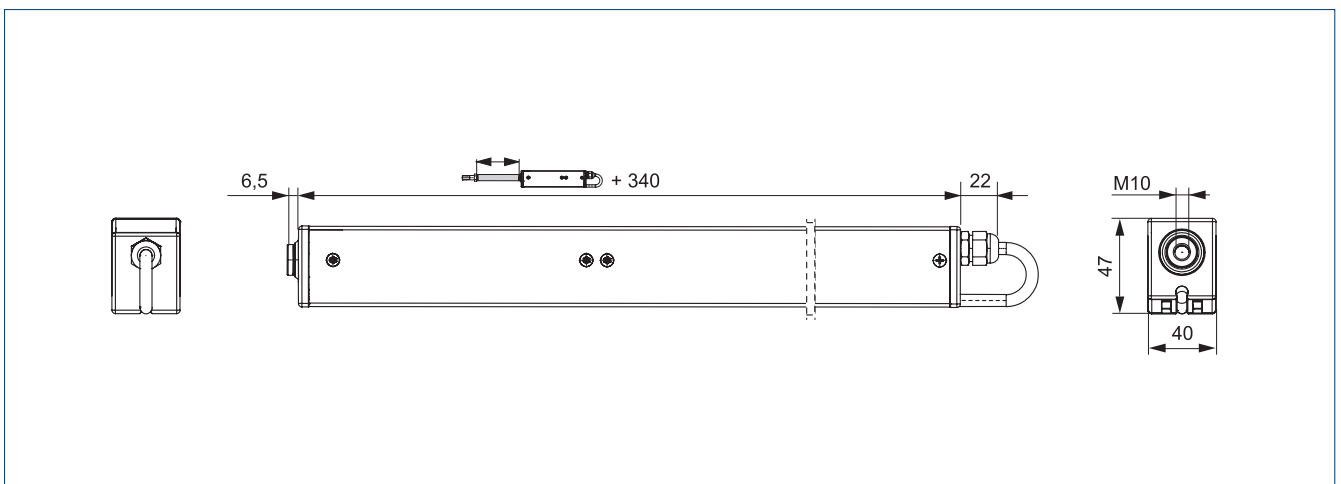
Side-hung window	inward opening outward opening	Frame / leaf Frame
------------------	-----------------------------------	-----------------------

Top-hung window	inward opening outward opening	Frame / leaf Frame
-----------------	-----------------------------------	-----------------------

Roof window	outward opening	Frame
-------------	-----------------	-------

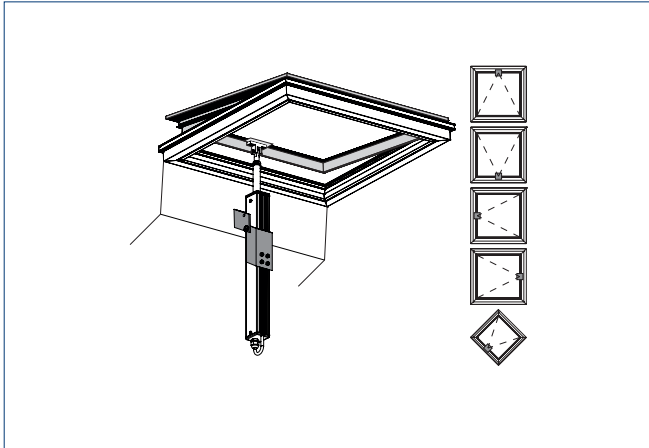
Louvre window		Frame
---------------	--	-------

● = YES

PRODUCT SCALE DRAWING

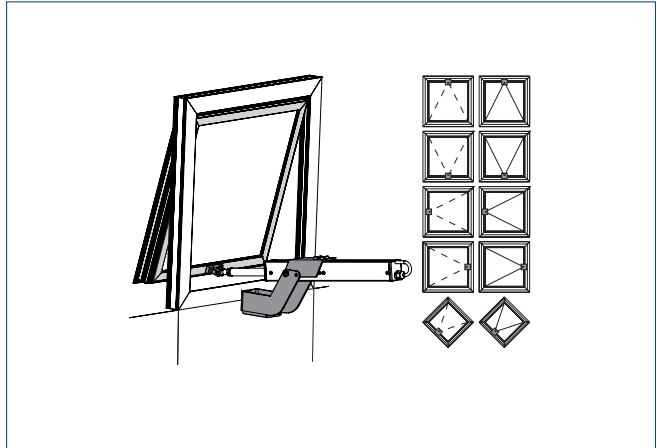
TYPES OF INSTALLATION

Roof windows and skylight domes
OUTWARD opening



Standard bracket for installation on lintel of the main closing edge

Bottom-hung, top-hung, side-hung and roof windows
INWARD or OUTWARD opening



INWARD opening bracket for installation on frame or main closing edge

INSTALLATION

MINIMUM LEAF HEIGHTS FOR INWARD OPENING BOTTOM-HUNG, TOP-HUNG AND SIDE-HUNG WINDOWS

Stroke	Leaf height
100 mm	–
150 mm	–
200 mm	200 mm
230 mm	230 mm
300 mm	300 mm
500 mm	600 mm

MINIMUM LEAF HEIGHTS FOR OUTWARD OPENING BOTTOM-HUNG, TOP-HUNG AND SIDE-HUNG WINDOWS

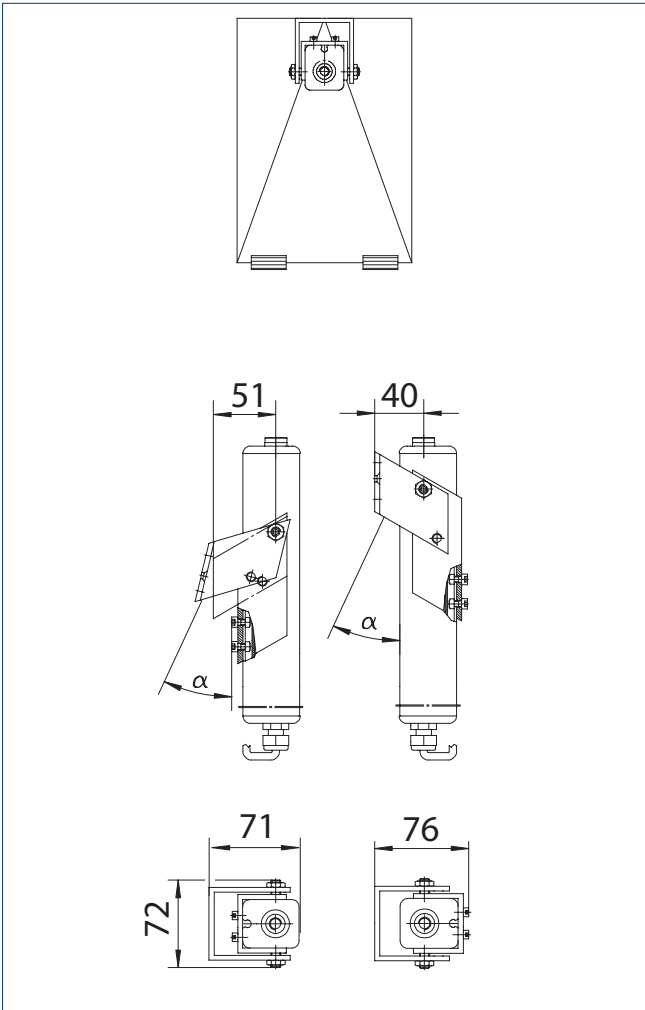
Stroke	Leaf height
100 – 300 mm	400 mm
500 mm	600 mm

MINIMUM LEAF HEIGHTS FOR ROOF WINDOWS AND SKYLIGHT DOMES

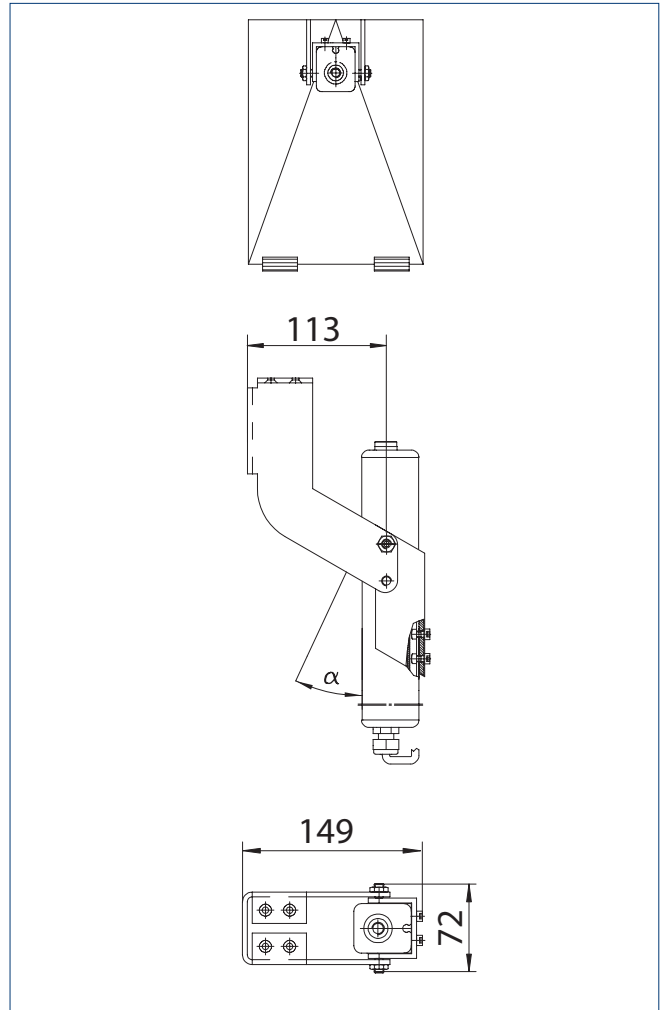
Stroke	Leaf height
100 mm	220 mm
150 mm	270 mm
200 mm	320 mm
230 mm	350 mm
300 mm	440 mm
500 mm	670 mm
700 mm	910 mm
750 mm	980 mm
1000 mm	1270 mm

SOLO APPLICATION ON THE MAIN CLOSING EDGE

Leaf weight max. 100 kg, leaf width < 1200 mm



Standard bracket

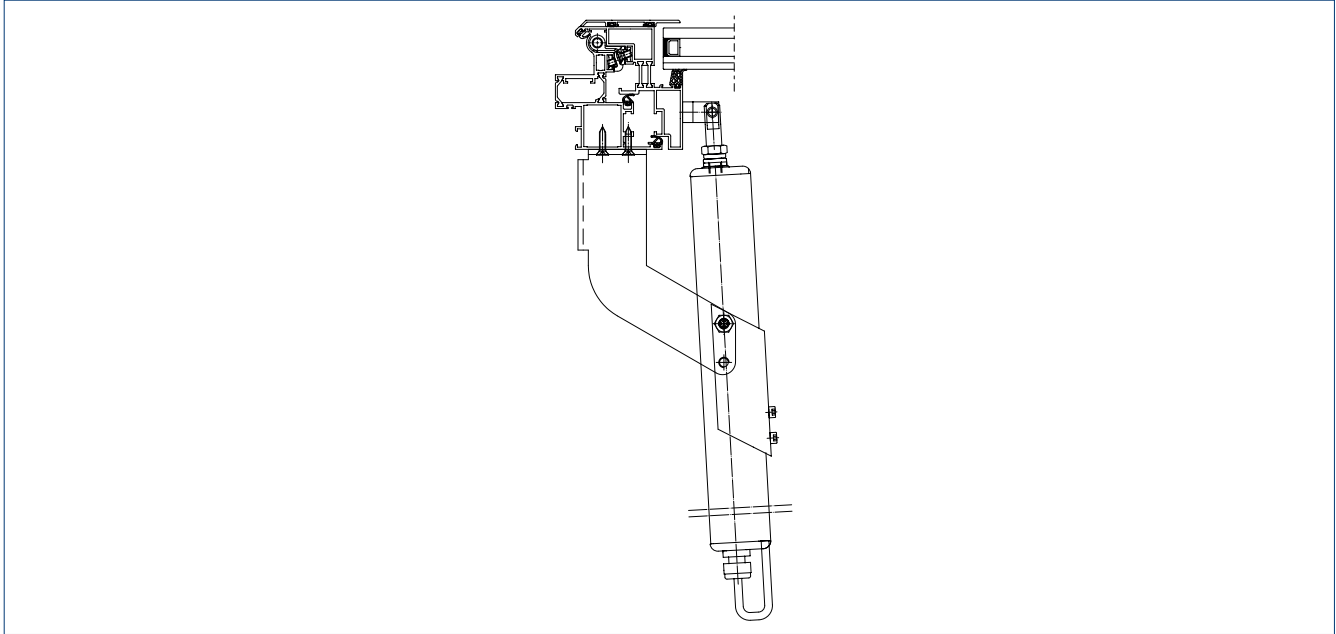


INWARD opening bracket

PROFILE-SPECIFIC INSTALLATION

WICONA WICTEC 50/60

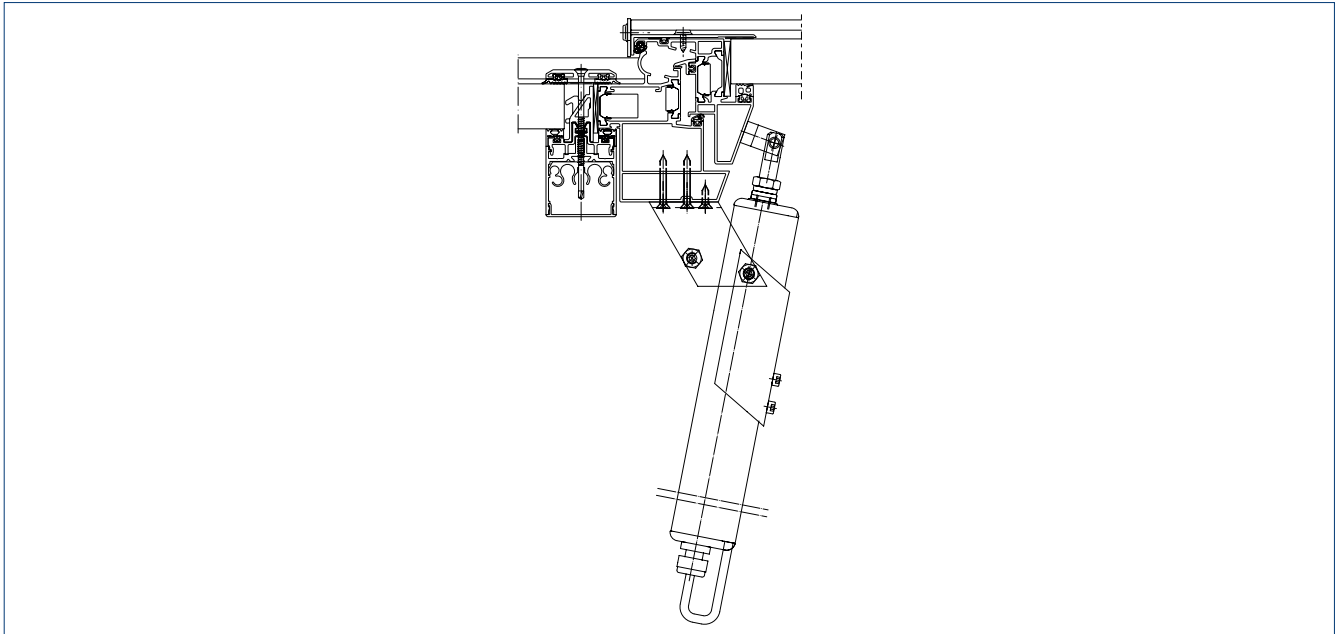
Installation on main closing edge



Console INWARD OPENING E 250 NT / E 350 N, incl. standard leaf bracket (ID no. 027218)

SCHÜCO AWS57

Installation on main closing edge



Standard bracket E 250 NT / E 350 N, incl. standard leaf bracket (ID no. 019032)

For further profile-specific solutions on the main closing edge (HSK) for Heroal, Alcoa, Hueck and Aluprof see installation diagram 45130-EP-002.

ORDER INFORMATION

Designation	Stroke	Version	ID no.
E 350 N	100 mm	EV1	086121
	100 mm	white RAL 9016	086124
	150 mm	EV1	086126
	150 mm	white RAL 9016	086129
	200 mm	EV1	086131
	200 mm	white RAL 9016	086134
	230 mm	EV1	086136
	230 mm	white RAL 9016	086139
	300 mm	EV1	086141
	300 mm	white RAL 9016	086144
	500 mm	EV1	086146
	500 mm	white RAL 9016	086149
	700 mm	EV1	086151
	700 mm	white RAL 9016	086154
	750 mm	EV1	086156
	750 mm	white RAL 9016	086159
	1000 mm	EV1	086161
	1000 mm	white RAL 9016	086164

ACCESSORIES

Standard bracket E 250 NT / E 350 N with eye bolts and leaf bracket	EV1	019032
	white RAL 9016	020879
	acc. to RAL	020878
Bracket INWARD opening E 250 NT / E 350 N with eye bolts and leaf bracket	EV1	027218
	white RAL 9016	027223
	acc. to RAL	027222
Stroke limiter 230 V		084147
Position feedback for E 350 N		083941

Accessories



Standard bracket E 250 NT /
E 350 N (019032)



Bracket INWARD opening E 250
NT / E 350 N (027218)

E 1500 N



Spindle drive with slim dimensions
for heavy leaves in the façade and roof area

AREAS OF APPLICATION

- Heavy window elements in the façade and roof area
- Natural ventilation, smoke and heat extraction system (SHEV)
- Inward and outward-opening windows with bottom-hung, top-hung and side-hung leaves as well as roof windows
- Can be used in the exhaust air and air intake
- Installation on wooden, PVC or metal windows

PRODUCT FEATURES

- Slim dimensions and an aluminium housing for highest design demands
- Robust and corrosion-resistant design with built-in end position damping
- Syncro drive sets are available for leaf widths over 1200 mm
- Extensive brackets allow versatile installation on main or secondary closing edges
- Syncro set without external control device

TECHNICAL DATA

E 1500 N

GENERAL

Dimensions (W x H x D) Stroke + 302, Ø 36 mm

SPECIFICATIONS

Possible stroke lengths 300 mm, 400 mm, 500 mm, 750 mm, 1000 mm

Opening speed smoke and heat extraction 4 mm/s

Opening speed ventilation 4 mm/s

Pulling force (max.) 1500 N

Compressive force (max.) 1500 N

ELECTRICAL DATA

Operating voltage 24 V

Current consumption 0.8 A

Power consumption (max.) 20 W

Duty rating 30 %

Length of connector cable 2.5 m

Cable dimensions 3 x 1 mm²

Temperature range -5 – 75 °C

IP rating / protection class IP65 / III

FUNCTIONS

Type of stroke shortening Factory setting

End position cut-off extended electronic

End position cut-off retracted electronic

Overload cut-off ●

TYPES OF INSTALLATION

Bottom-hung window	inward opening	Frame / leaf
	outward opening	Frame

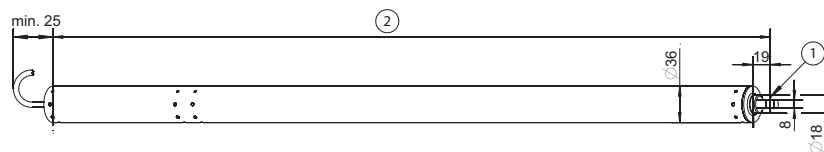
Side-hung window	inward opening	Frame / leaf
	outward opening	Frame

Top-hung window	inward opening	Frame / leaf
	outward opening	Frame

Roof window	outward opening	Frame
-------------	-----------------	-------

● = YES

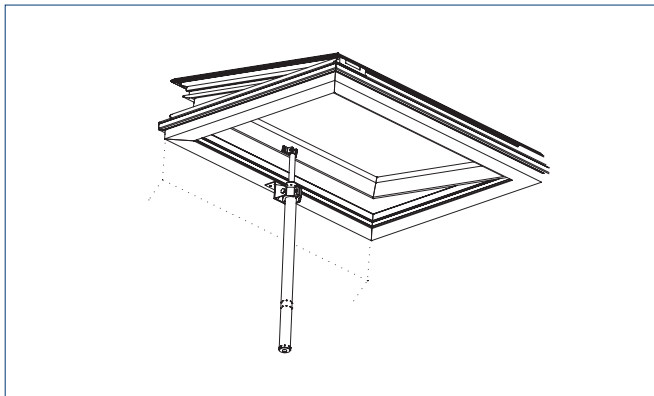
PRODUCT SCALE DRAWING



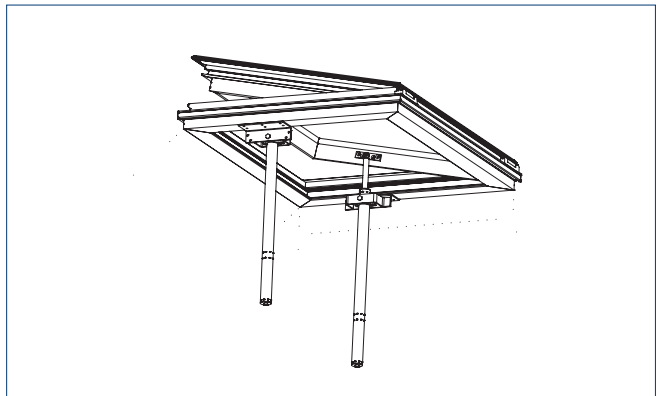
1 = ø 6 mm with bearing bush, ø 8 mm without bearing bush | 2 = approx. 302 mm + stroke (Solo version)
approx. 342 mm + stroke (Syncro version)

TYPES OF INSTALLATION

Main closing edge Solo



Secondary closing edge installation Syncro



LEAF DIMENSIONS FOR BOTTOM-HUNG AND TOP-HUNG WINDOWS

Type of window	Minimum leaf height		Maximum leaf width	
	Stroke 300 mm	Stroke 500 mm	Solo	Syncro
Bottom-hung window inward opening	650 mm	1200 mm	max. 1200 mm	max. 2400 mm
Top-hung window outward opening	400 mm	400 mm	max. 1200 mm	max. 2400 mm

LEAF WEIGHT FOR BOTTOM-HUNG AND TOP-HUNG WINDOWS

Bottom-hung window	Stroke 300 mm		Stroke 500 mm	
	Solo	Syncro	Solo	Syncro
Leaf height				
650 – 1200 mm	max. 200 kg	max. 400 kg	max. 170 kg	max. 340 kg
1200 – 1700 mm	max. 250 kg	max. 500 kg	max. 200 kg	max. 400 kg

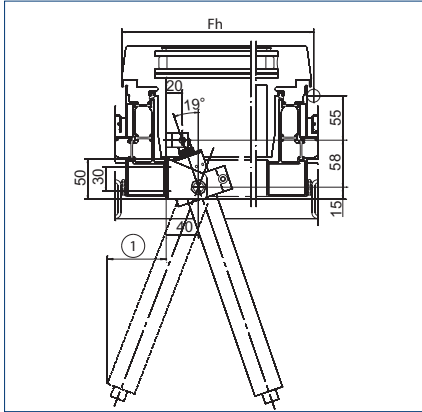
Top-hung window	Stroke 300 mm		Stroke 500 mm	
	Solo	Syncro	Solo	Syncro
Leaf height				
400 – 650 mm	max. 180 kg	max. 360 kg	max. 150 kg	max. 300 kg
650 – 1200 mm	max. 200 kg	max. 400 kg	max. 170 kg	max. 340 kg
1200 – 1700 mm	max. 250 kg	max. 500 kg	max. 200 kg	max. 400 kg

INSTALLATION WITH ROOF WINDOW BRACKET H40

The roof window bracket E 1500 H40 is used to fix the drive to the frame of the roof window.

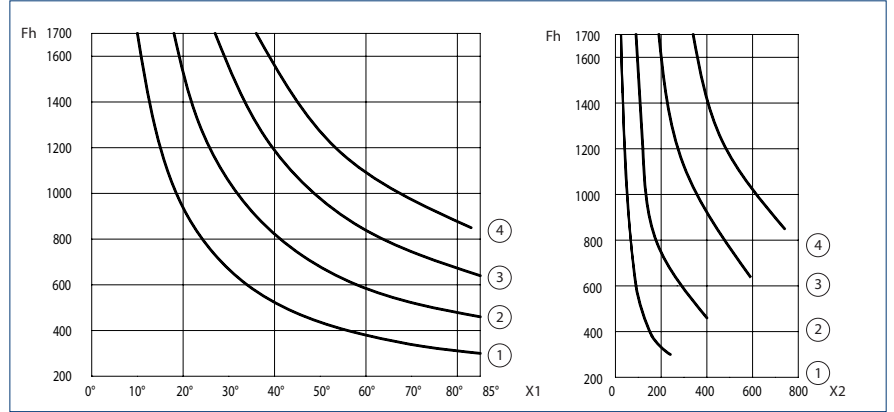
Attention: Chart and tables only contain guideline values and refer to the applications as shown below. If the installation conditions differ, the values must be determined for each specific project.

Installation example



Fh = Leaf height | 1 = Clearance under the window for swivel movement of the drive during the opening movement, see chart

Opening angle and space needed for swivel



X1 = Opening angle | X2 = Space needed for swivelling (mm) | Fh = Leaf height (mm) | 1 = Stroke 300 | 2 = Stroke 500 | 3 = Stroke 750 | 4 = Stroke 1000

MINIMUM LEAF HEIGHT FOR E 1500 N ON THE ROOF WINDOW (GUIDELINE VALUES*)

E 1500 N stroke	Leaf height Fh	Opening angle	Space needed for drive swivel under the window
1000 mm	850 mm	approx. 85°	min. 740 mm
750 mm	640 mm	approx. 85°	min. 590 mm
500 mm	460 mm	approx. 85°	min. 400 mm
300 mm	300 mm	approx. 85°	min. 240 mm

*On account of the wide variety of window profiles and installation options available, it is only possible to list guideline values here. An installation examination is recommended with limit values.

EXAMPLE: SPACE NEEDED FOR THE DRIVE SWIVEL UNDER THE ROOF WINDOW AT OPENING ANGLE APPROX. 60°

E 1500 N stroke	Leaf height Fh	Opening angle	Space needed for drive swivel under the window
1000 mm	1100 mm	approx. 60°	min. 540 mm
750 mm	850 mm	approx. 60°	min. 410 mm
500 mm	600 mm	approx. 60°	min. 270 mm
300 mm	380 mm	approx. 60°	min. 160 mm

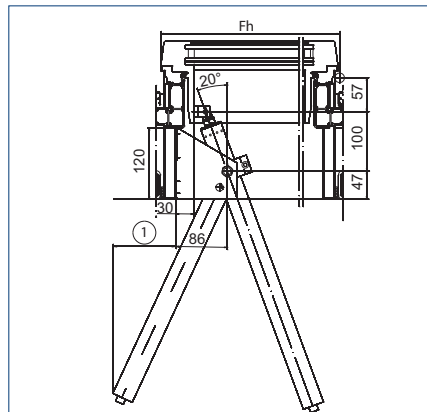
The space needed under the window for the swivel movement of the drive depends on the leaf height (larger leaf height = smaller swivel).

INSTALLATION WITH ROOF WINDOW BRACKET H86

The roof window bracket E 1500 H86 is used to fix the drive to the frame of the roof window.

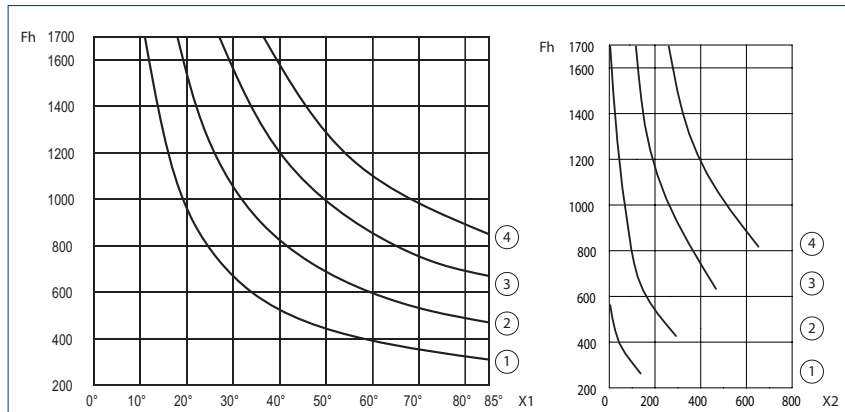
Attention: Chart and tables only contain guideline values and refer to the applications as shown below. If the installation conditions differ, the values must be determined for each specific project.

Installation example



Fh = Leaf height | 1 = Clearance under the window for swivel movement of the drive during the opening movement, see chart

Opening angle and space needed for swivel



X1 = Opening angle | X2 = Space needed for swivelling (mm) | Fh = Leaf height (mm) | 1 = Stroke 300 | 2 = Stroke 500 | 3 = Stroke 750 | 4 = Stroke 1000

MINIMUM LEAF HEIGHT FOR E 1500 N ON THE ROOF WINDOW (GUIDELINE VALUES*)

E 1500 N stroke	Leaf height Fh	Opening angle	Space needed for drive swivel under the window
1000 mm	850 mm	approx. 85°	min. 640 mm
750 mm	670 mm	approx. 85°	min. 460 mm
500 mm	470 mm	approx. 85°	min. 290 mm
300 mm	310 mm	approx. 85°	min. 140 mm

*On account of the wide variety of window profiles and installation options available, it is only possible to list guideline values here. An installation examination is recommended with limit values.

EXAMPLE: SPACE NEEDED FOR THE DRIVE SWIVEL UNDER THE ROOF WINDOW AT OPENING WIDTH APPROX. 60°

E 1500 N stroke	Leaf height Fh	Opening angle	Space needed for drive swivel under the window
1000 mm	1100 mm	approx. 60°	min. 460 mm
750 mm	850 mm	approx. 60°	min. 320 mm
500 mm	600 mm	approx. 60°	min. 180 mm
300 mm	400 mm	approx. 60°	min. 70 mm

The space needed under the window for the swivel movement of the drive depends on the leaf height (larger leaf height = smaller swivel).

ORDER INFORMATION

Designation	Stroke	Version	ID no.
E 1500 N	300 mm	EV1	141894
	300 mm	white RAL 9016	141895
	300 mm	acc. to RAL	141896
	400 mm	EV1	141897
	400 mm	white RAL 9016	141898
	400 mm	acc. to RAL	141899
	500 mm	EV1	141900
	500 mm	white RAL 9016	141911
	500 mm	acc. to RAL	141912
	750 mm	EV1	141913
	750 mm	white RAL 9016	141914
	750 mm	acc. to RAL	141915
	1000 mm	EV1	141916
	1000 mm	white RAL 9016	141917
	1000 mm	acc. to RAL	141918
E 1500 N special version Can be configured: Stroke, connector, cable length, colour		EV1 acc. to RAL	141944 141945
E 1500 N SYNCRO	300 mm	EV1	141919
	300 mm	white RAL 9016	141920
	300 mm	acc. to RAL	141931
	400 mm	EV1	141932
	400 mm	white RAL 9016	141933
	400 mm	acc. to RAL	141934
	500 mm	EV1	141935
	500 mm	white RAL 9016	141936
	500 mm	acc. to RAL	141937
	750 mm	EV1	141938
	750 mm	white RAL 9016	141939
	750 mm	acc. to RAL	141940
	1000 mm	EV1	141941
	1000 mm	white RAL 9016	141942
	1000 mm	acc. to RAL	141943
E 1500 N SYNCRO special version Consists of 2 drives with integrated Syncro control unit		EV1 acc. to RAL	141946 141947
ACCESSORIES			
Bracket E 1500 NSK S-W-HU suitable for installation on the secondary closing edge of roof windows (Schüco AWS57 RO, Wicona WT 50/60, Hueck VF 50/60).			136184
Bracket E 1500 NSK suitable for installation on the secondary closing edge of roof windows			130524
Bracket mount E 1500 suitable for installation on the main closing edge of roof windows			136201
Clamping insert E 1500		silver-coloured	121215
		white RAL 9016	121216
		acc. to RAL	121217
Leaf bracket E 1500 FS		silver-coloured	123085
		white RAL 9016	123086
		acc. to RAL	123087

ORDER INFORMATION

Designation	Stroke	Version	ID no.
Leaf bracket E 1500 HSK HE suitable for installation on the main closing edge of roof windows (Heroal), can also be used for E 250 NT			136190
Leaf bracket E 1500 NSK A-HU suitable for installation on the secondary closing edge of roof windows (Alcoa AA 100, Hueck VF 50/60), can also be used for E 250 NT			136189
Leaf bracket E 1500 NSK HE suitable for installation on the secondary closing edge of roof windows (Heroal 85 D), also suitable for E 250 NT			136188
Leaf bracket E 1500 NSK W-HU suitable for installation on the secondary closing edge of roof windows (Wicona WT 50/60, Hueck 85 E), can also be used for E 250 NT			136187
Leaf bracket E 1500/ E 3000 NSK AP suitable for installation on the secondary closing edge of roof windows (Aluprof MB-SR50), can also be used for E 250 NT			140713
Leaf bracket E 1500/ E 3000 NSK S suitable for installation on the secondary closing edge of roof windows (Schüco AWS57 RO)			136186
Roof window bracket H40 E 1500		silver-coloured white RAL 9016 acc. to RAL	121221 121222 121223
Roof window bracket H86 E 1500		silver-coloured white RAL 9016 acc. to RAL	121224 121225 121226

Accessories



Leaf bracket E 1500



Leaf bracket E 1500 FS (123085)



Clamping insert E 1500 (121215)



Bracket E 1500

Roof window bracket H40 E 1500
(121221)Roof window bracket H86 E 1500
(121224)

E 1500 S



Spindle drive with high opening and closing speed

AREAS OF APPLICATION

- Heavy windows in the roof area
- Natural ventilation, smoke and heat extraction system, natural smoke and heat exhaust ventilation device
- Use in the exhaust air system
- Installation on wooden, PVC or metal windows

PRODUCT FEATURES

- High pressure force and high speed
- Max. opening width of 1000 mm achieved in less than 60 seconds
- Robust and corrosion-resistant design with built-in end position damping
- Syncro drive sets are available for leaf widths over 1200 mm
- Aluminium housing for highest design demands
- Extensive brackets allow versatile installation on main or secondary closing edges
- Syncro set without external control device
- Tested as natural smoke and heat exhaust ventilation device in accordance with EN 12101-2

TECHNICAL DATA

E 1500 S

GENERAL

Dimensions (W x H x D)	Stroke + 465, Ø 50 mm
------------------------	-----------------------

SPECIFICATIONS

Possible stroke lengths	500 mm, 750 mm, 1000 mm
Opening speed smoke and heat extraction	16 mm/s
Opening speed ventilation	16 mm/s
Pulling force (max.)	1500 N
Compressive force (max.)	1500 N
Holding force (max.)	25000 N *

ELECTRICAL DATA

Operating voltage	24 V
Current consumption	4 A
Power consumption (max.)	75 W
Duty rating	30 %
Length of connector cable	3 m
Cable dimensions	3 x 1 mm ²
Temperature range	-5 – 75 °C
IP rating / protection class	IP54 / III

FUNCTIONS

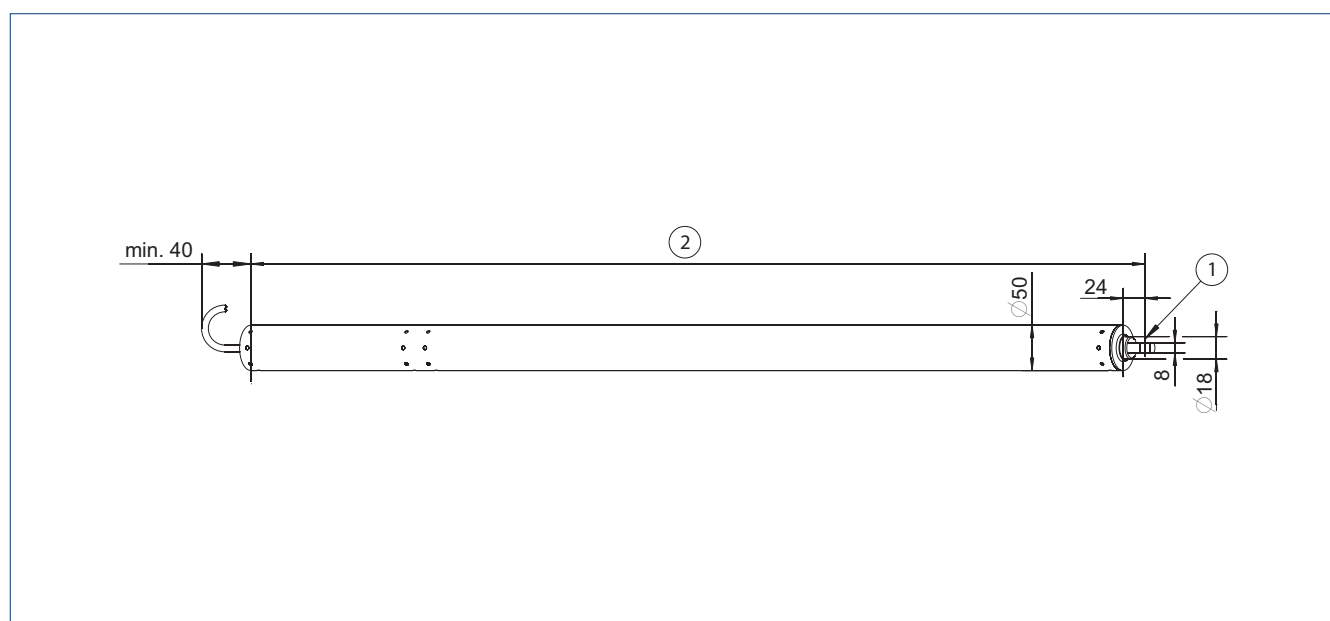
Type of stroke shortening	Factory setting
End position cut-off extended	electronic
End position cut-off retracted	electronic
Complete opening within 60 s	yes, up to 1000 mm stroke
Natural smoke and heat exhaust ventilation device tested	yes, up to 1000 mm stroke

TYPES OF INSTALLATION

Roof window	outward opening	Frame
-------------	-----------------	-------

* = depends on installation

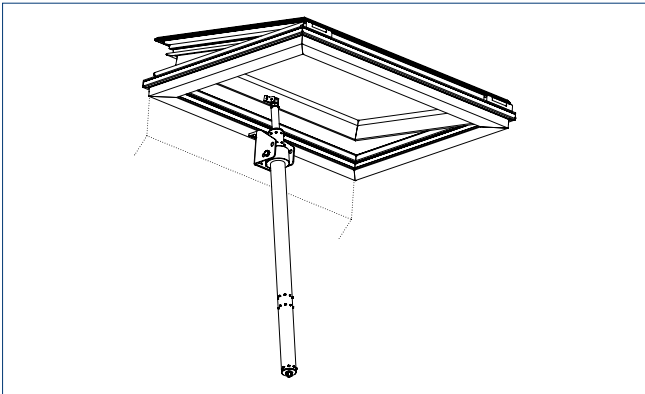
PRODUCT SCALE DRAWING



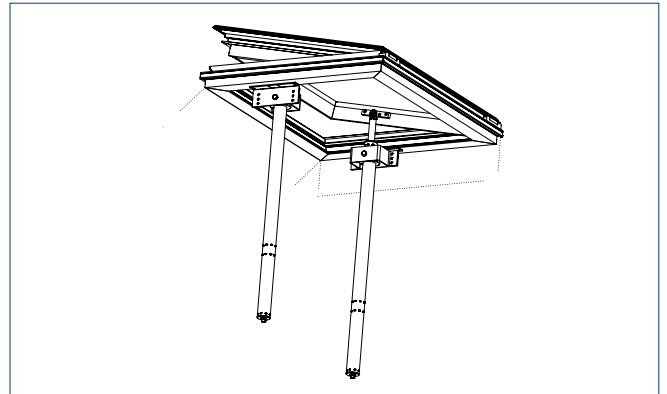
1 = ø 6 mm with bearing bush, ø 8 mm without bearing bush | 2 = approx. 465 mm + stroke

TYPES OF INSTALLATION

Main closing edge Solo



Secondary closing edge installation Syncro



Roof window	Solo	Syncro
Leaf weights for all strokes	max. 180 kg	max. 360 kg
Maximum leaf width	max. 1200 mm	max. 2400 mm

ORDER INFORMATION

Designation	Stroke	Version	ID no.
E 1500 S	500 mm	EV1	162381
	750 mm	EV1	162382
	1000 mm	EV1	162383
E 1500 S Can be configured: Stroke, cable length, colour		acc. to RAL	162384
E 1500 S SYNCRO Consists of 2 drives with integrated Syncro control unit	500 mm	EV1	162385
	750 mm	EV1	162386
	1000 mm	EV1	162387
E 1500 S SYNCRO Can be configured: Stroke, cable length, colour, Syncro 2-4		acc. to RAL	162388

Designation	Stroke	Version	ID no.
ACCESSORIES			
Roof window bracket E 3000		silver-coloured white RAL 9016 acc. to RAL	121280 121291 121292
Bracket E 3000 NSK S suitable for installation on the secondary closing edge of roof windows (Schüco AWS57 RO) Supplied by GEZE without clamping insert ID no. 121274			136183
Bracket E 3000 NSK suitable for installation on the secondary closing edge of roof windows. Supplied by GEZE without clamping insert ID no. 121274			130525
Bracket mount E 3000 HSK suitable for installation on the main closing edge of roof windows			136202
Bracket mount E 3000 NSK suitable for installation on the secondary closing edge of roof windows			136203
Bracket mount E 3000 NSK AP suitable for installation on the secondary closing edge of roof windows			140714
Clamping insert E 3000		silver-coloured white RAL 9016 acc. to RAL	121274 121275 121276
Leaf bracket E 3000		silver-coloured white RAL 9016 acc. to RAL	121277 121278 121279
Leaf bracket E 3000 HSK HE suitable for installation on the main closing edge of roof windows (Heroal 085 D)			136207
Leaf bracket E 3000 NSK A-HU suitable for installation on the secondary closing edge of roof windows (Alcoa AA 100, Hueck VF 50/60)			136205
Leaf bracket E 3000 NSK W-HU suitable for installation on the secondary closing edge of roof windows (Wicona WT 50/60, Hueck 85 E)			136204
Leaf bracket E 1500/ E 3000 NSK AP suitable for installation on the secondary closing edge of roof windows			140715
Leaf bracket E 3000 NSK HE suitable for installation on the secondary closing edge of roof windows (Heroal 85 D)			136206

Accessories



Clamping insert E 3000 (121274)



Leaf bracket E 3000 (121277)



Roof window bracket E 3000
(121280)

E 3000



Electric spindle drive for heavy roof windows

AREAS OF APPLICATION

- Very heavy windows in the roof area
- Natural ventilation, smoke and heat extraction system, natural smoke and heat exhaust ventilation device
- Use in the exhaust air system
- Installation on wooden, PVC or metal windows
- Frame installation

PRODUCT FEATURES

- Very high tensile force and force of pressure
- Robust and corrosion-resistant design with built-in end position damping
- Aluminium housing for highest design demands
- Extensive brackets allow versatile installation on main or secondary closing edges
- Synchronisation of max. four drives without external control unit
- Tested as natural smoke and heat exhaust ventilation device in accordance with EN 12101-2

TECHNICAL DATA

E 3000

GENERAL

Dimensions (W x H x D) Stroke + 465, Ø 50 mm

SPECIFICATIONS

Possible stroke lengths	500 mm, 750 mm, 1000 mm
Opening speed smoke and heat extraction	7.8 mm/s
Opening speed ventilation	7.8 mm/s
Pulling force (max.)	3000 N
Compressive force (max.)	3000 N
Holding force (max.)	25000 N*

ELECTRICAL DATA

Operating voltage	24 V
Current consumption	5 A
Power consumption (max.)	75 W
Duty rating	20%
Length of connector cable	3 m
Cable dimensions	3 x 1 mm ²
Temperature range	-5 – 75 °C
IP rating / protection class	IP54

FUNCTIONS

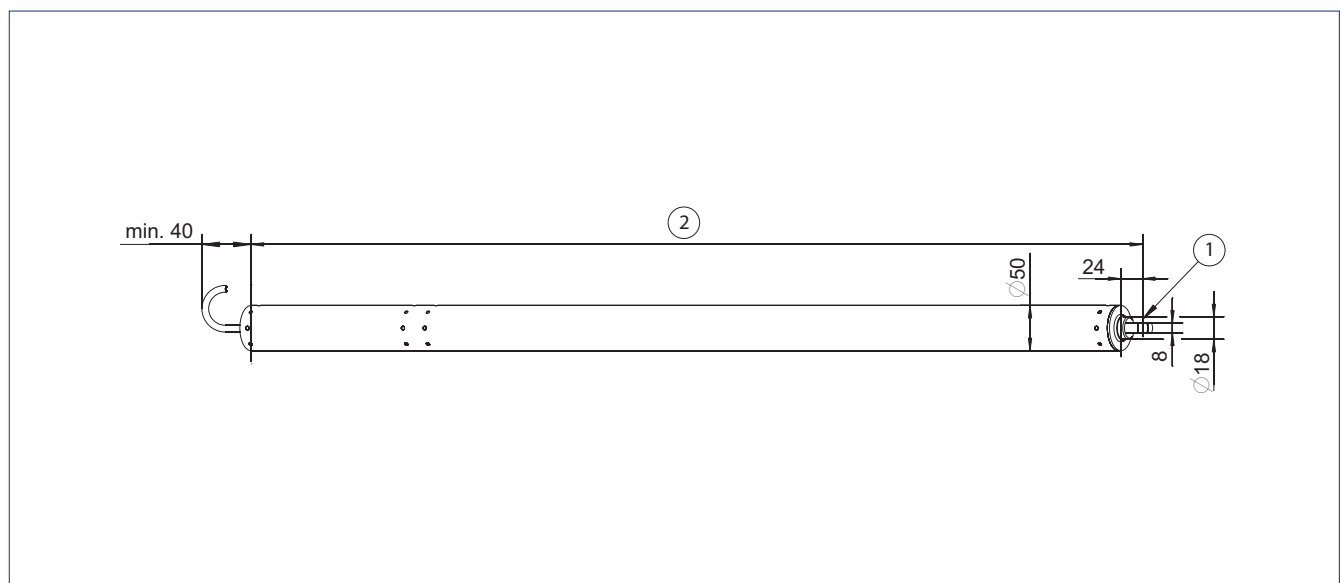
Type of stroke shortening	Factory setting
End position cut-off extended	electronic
End position cut-off retracted	electronic
Complete opening within 60 s	yes, up to 300 mm stroke
Natural smoke and heat exhaust ventilation device tested	yes, up to 300 mm stroke

TYPES OF INSTALLATION

Roof window	outward opening	Frame
-------------	-----------------	-------

* = depends on installation

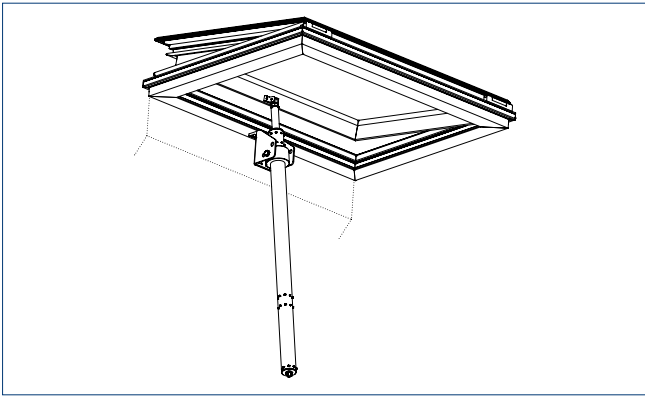
PRODUCT SCALE DRAWING



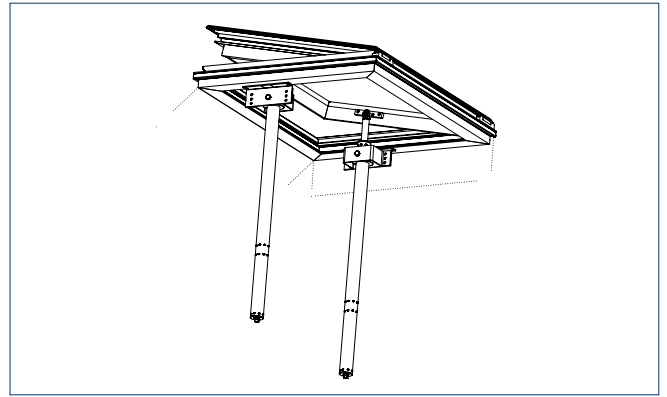
1 = ø 6 mm with bearing bush, ø 8 mm without bearing bush | 2 = approx. 465 mm + stroke

TYPES OF INSTALLATION

Main closing edge Solo



Secondary closing edge installation Syncro



Calculation of the swivelling range

The space needed under the window for the swivel movement of the drive depends on the height of the leaf, The larger the leaf height, the smaller the swivel.

Application	Solo	Syncro
Leaf weights for all strokes	max. 300 kg	max. 600 kg
Maximum leaf width	max. 1200 mm	max. 2400 mm

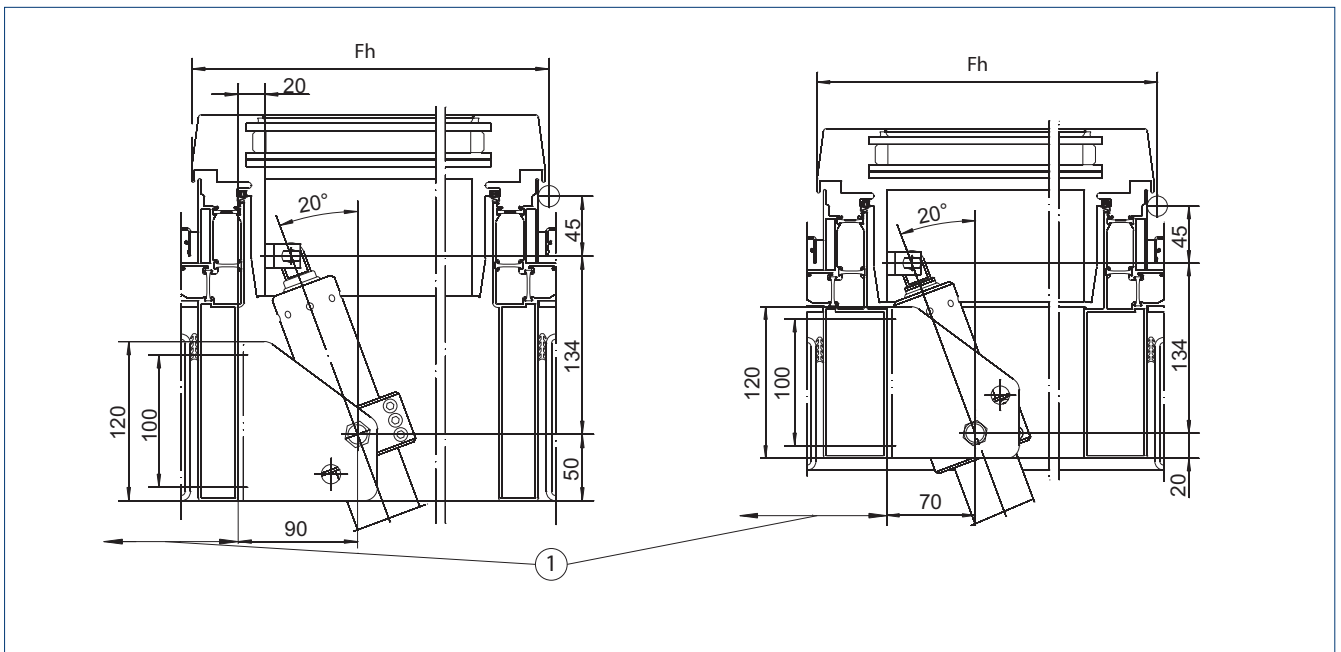
→ **Note:** The Syncro version is recommended from 1.2 m main closing edge, depending on the profile system used.

INSTALLATION WITH ROOF WINDOW BRACKET H86

The roof window bracket E 3000 H86 is used to fix the drive to the frame of the roof window. This bracket can also be used for the E 1500 S.

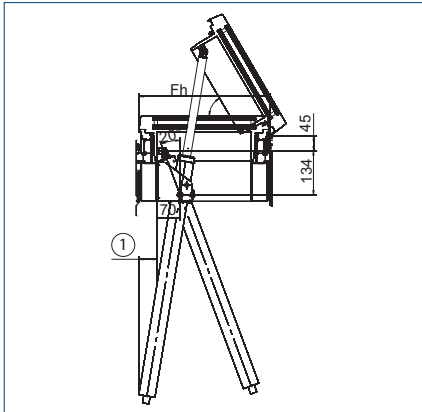
Attention: Chart and tables only contain guideline values and refer to the applications as shown below. If the installation conditions differ, the values must be determined for each specific project.

INSTALLATION EXAMPLES



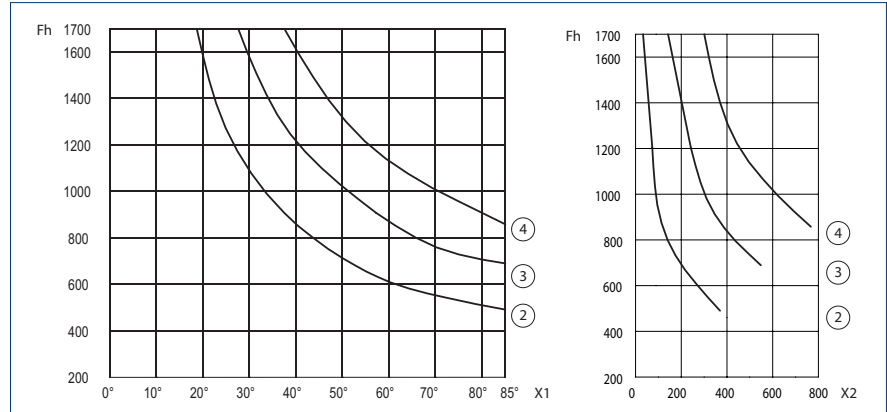
Fh = Leaf height | 1 = Clearance under the window for swivel movement of the drive during the opening movement, see chart

INSTALLATION EXAMPLE



Fh = Leaf height | 1 = Clearance under the window for swivel movement of the drive during the opening movement, see chart

OPENING ANGLE AND SPACE NEEDED FOR SWIVEL



X1 = Opening angle | X2 = Space needed for swivel (mm) | Fh = Leaf height (mm) | 2 = Stroke 500 | 3 = Stroke 750 | 4 = Stroke 1000

MINIMUM LEAF HEIGHT FOR ROOF WINDOW (GUIDELINE VALUES)

E 1500 S / E 3000 stroke	Leaf height Fh	Opening angle	Space needed for drive swivel under the window
1000 mm	850 mm	approx. 85°	min. 770 mm
750 mm	680 mm	approx. 85°	min. 550 mm
500 mm	480 mm	approx. 85°	min. 370 mm

EXAMPLE: SPACE NEEDED FOR THE DRIVE SWIVEL UNDER THE ROOF WINDOW AT OPENING WIDTH APPROX. 60°

E 1500 S / E 3000 stroke	Leaf height Fh	Opening angle	Space needed for drive swivel under the window
1000 mm	1100 mm	approx. 60°	min. 520 mm
750 mm	850 mm	approx. 60°	min. 380 mm
500 mm	600 mm	approx. 60°	min. 240 mm

The space needed under the window for the swivel movement of the drive depends on the leaf height (larger leaf height = smaller swivel)

ORDER INFORMATION

Designation	Stroke	Version	ID no.
GEZE E 3000	500 mm 750 mm 1000 mm	EV1 EV1 EV1	162389 162390 162391
E 3000 SYNCRO consisting of two drives with integrated synchro control	500 mm 750 mm 1000 mm	EV1 EV1 EV1	162393 162394 162395
E 3000 special version Can be configured: Stroke, cable length, colour		acc. to RAL	162392
E 3000 SYNCRO special version Can be configured: Stroke, cable length, colour, Syncro 2-4		acc. to RAL	162396

ACCESSORIES

Roof window bracket E 3000		silver-coloured white RAL 9016 acc. to RAL	121280 121291 121292
Bracket E 3000 NSK S suitable for installation on the secondary closing edge of roof windows (Schüco AWS57 RO). Supplied by GEZE without clamping insert ID no. 121274			136183
Bracket E 3000 NSK S suitable for installation on the secondary closing edge of roof windows Supplied by GEZE without clamping insert ID no. 121274			130525
Bracket mount E 3000 HSK suitable for installation on the main closing edge of roof windows			136202
Bracket mount E 3000 NSK suitable for installation on the secondary closing edge of roof windows			136203
Bracket mount E 3000 NSK AP suitable for installation on the secondary closing edge of roof windows			140714
Clamping insert E 3000		silver-coloured white RAL 9016 acc. to RAL	121274 121275 121276
Leaf bracket E 3000		silver-coloured white RAL 9016 acc. to RAL	121277 121278 121279
Leaf bracket E 3000 HSK HE suitable for installation on the main closing edge of roof windows (Heroal 085 D)			136207
Leaf bracket E 3000 NSK A-HU suitable for installation on the secondary closing edge of roof windows (Alcoa AA 100, Hueck VF 50/60)			136205
Leaf bracket E 3000 NSK W-HU suitable for installation on the secondary closing edge of roof windows (Wicona WT 50/60, Hueck 85 E)			136204
Leaf bracket E 1500/E 3000 NSK AP suitable for installation on the secondary closing edge of roof windows			140715
Leaf bracket E 3000 NSK HE suitable for installation on the secondary closing edge of roof windows (Heroal 85 D)			136206

Accessories



Clamping insert E 3000
(121274)



Leaf bracket E 3000 (121277)



Roof window bracket E 3000
(121280)

E 212



Electric linear drive for automation of slimline fanlight openers

AREAS OF APPLICATION

- Automation of GEZE OL 90 N, OL 95 and OL 320 fanlight openers
- Natural ventilation (24 V or 230 V version) in the façade area
- Inward opening bottom-hung leaves
- Installation on wooden, PVC or metal windows
- Frame installation

PRODUCT FEATURES

- Cost-effective and simple motorised solution for activating several scissors
- Slim and discreet appearance integrates perfectly into the façade design
- Opening width variably adjustable over stroke length and can be adjusted as required
- Load cut-off and integrated limit switch as well as stroke are adjustable
- Completely pre-mounted assembly groups facilitate installation

TECHNICAL DATA**E 212****GENERAL**

Dimensions (L x H x D)	210 x 30 x 80 mm
Space needed on frame (min.)	Necessary space should be determined individually

SPECIFICATIONS

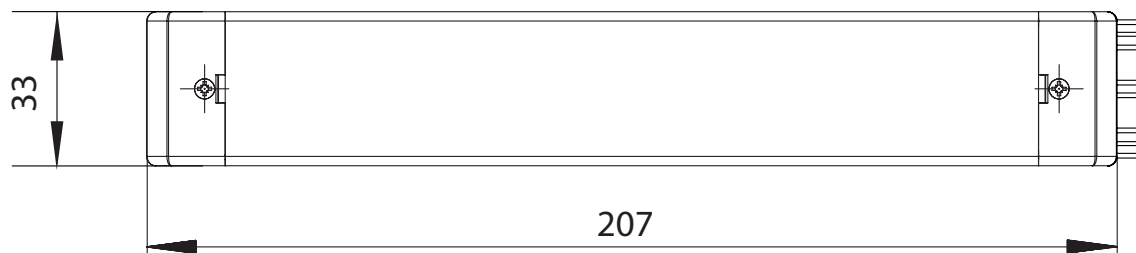
Adjustable stroke	42 – 70 mm
Tensile force and force of pressure	1500 N
Running time (under load)	approx. 35 s for 52 mm stroke
Temperature range	-20 – 60 °C

ELECTRICAL DATA

Power consumption	90 W
Current consumption	at 230 V: 0.2 A at 24 V: 1.2 A
IP rating	IP42
Operating voltage	230 V/24 V
Cable/length	Connector version

TYPES OF INSTALLATION

Bottom-hung window	inward opening	Frame
Louvre window		Frame

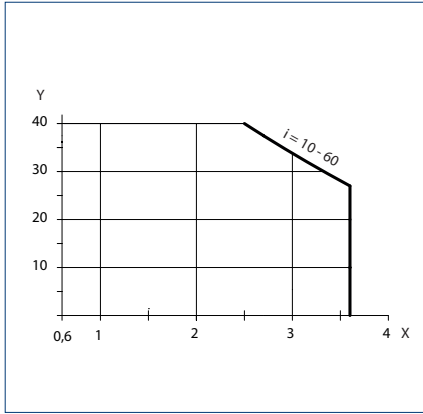
PRODUCT SCALE DRAWING

TYPES OF INSTALLATION

PERMISSIBLE LEAF WIDTH AND PANEL WEIGHT DEPENDING ON THE I DIMENSION

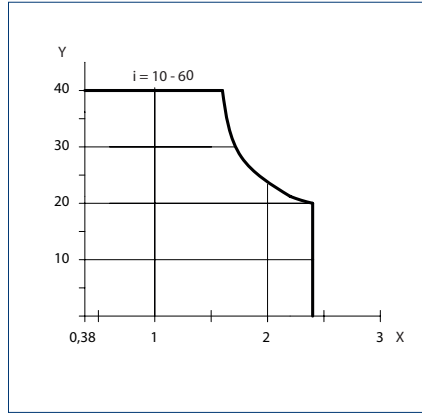
(for installation with OL 90 N)

Horizontal installation

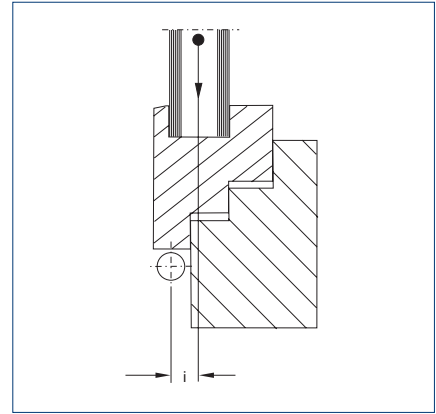


X = Total leaf width (sum of all leaf widths) [m] | Y = panel weight [kg/m²]

Vertical installation



X = Total leaf width (sum of all leaf widths) [m] | Y = panel weight [kg/m²]

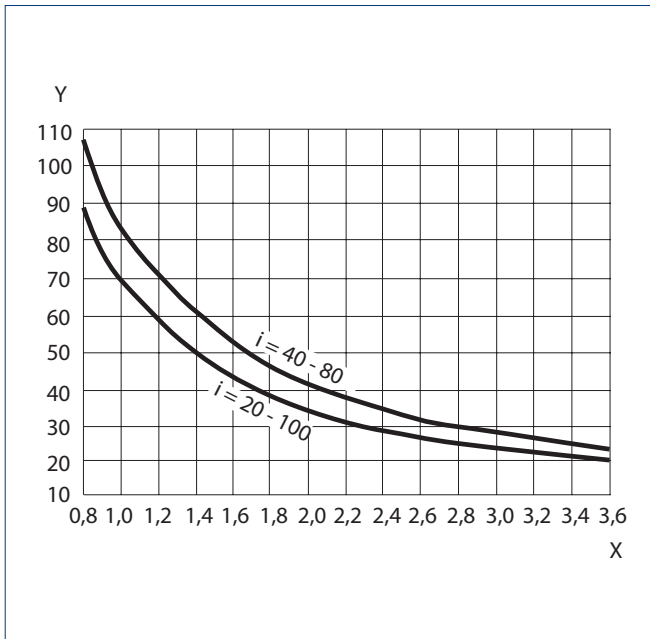


i = Clearance measurement between the leaf's centre of gravity and the hinge pivot point [mm]

GEZE E 212: PERMISSIBLE LEAF WIDTH AND PANEL WEIGHT DEPENDING ON THE I DIMENSION

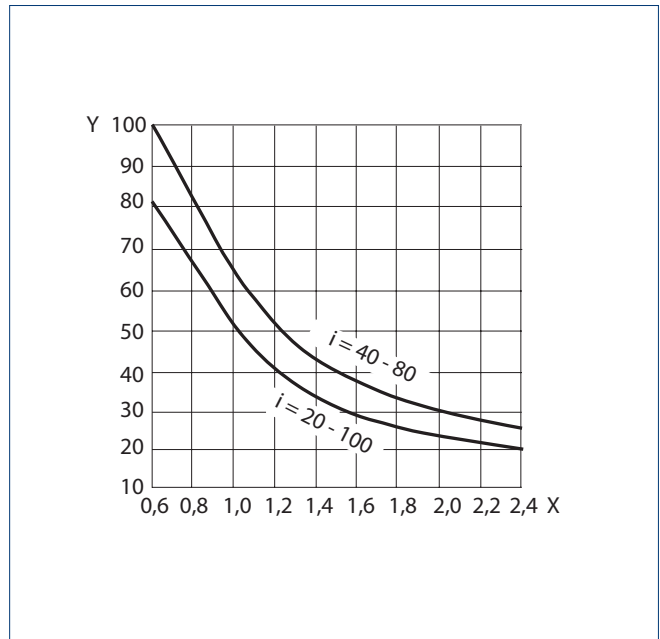
(for installation with OL 320)

Horizontal installation



X = Total leaf width (sum of all leaf widths) [m] | Y = panel weight [kg/m²]

Vertical installation



X = Total leaf width (sum of all leaf widths) [m] | Y = panel weight [kg/m²]

POSSIBLE LEAF WIDTHS GEZE E 212

Number of scissors required	Leaf width a with horizontal installation	Leaf width a with vertical installation
1 pair of scissors	800 – 1200 mm	600 – 1200 mm
2 pairs of scissors	1201 – 2400 mm	1201 – 2400 mm
3 pairs of scissors	2401 – 3600 mm	–
	Leaf height b min. 400 mm ¹⁾	Leaf height b min. 500 mm ²⁾

– = no

1 = If the opening width is limited to 190 mm over the motor stroke, b is min. 290 mm |

2 = If there is no reveal at the bottom, b is min. 400 mm

ORDER INFORMATION

Designation	Version	Version	ID no.
E 212 R1 electric linear drive, 230 V With 1 relay, for group actuation via 1 selector switch	66 mm	silver-coloured	020835
	66 mm	white RAL 9016	020839
	66 mm	acc. to RAL	020838
E 212 R electric linear drive, 230 V With 2 relays, for group actuation via any number of vent switches	66 mm	silver-coloured	005428
	66 mm	white RAL 9016	015435
	66 mm	acc. to RAL	006683
E 212 electric linear drive, 24 V Current consumption 1.2 A	66 mm	silver-coloured	010899
	66 mm	white RAL 9016	015540
	66 mm	acc. to RAL	010915

ACCESSORIES

Safety scissors no. 35	galvanised	014499
Safety scissors no. 60	galvanised	133814
Synchronising unit for GEZE electric drives with 24 V		111198
Synchronising unit for GEZE electric drives with 230 V		054371
Synchronising unit for GEZE electric drive E 212 R1 230 V		026762

E 170



Scissor drive as design solution for optimum ventilation

AREAS OF APPLICATION

- Natural ventilation (230 V version) in the façade area
- Inward opening bottom-hung leaves
- Installation on wooden, PVC or metal windows
- Frame installation

PRODUCT FEATURES

- Combines the OL 90 N fanlight opener and the E 212 electric linear drive in a single product
- Scissors integrated in the cover profile
- Attractive design and additional protection against contamination
- Opening width is variably adjustable and can therefore be flexibly regulated on site

TECHNICAL DATA**E 170****GENERAL**

Dimensions (L x H x D)	547 x 85 x 35 mm
Space needed on frame (min.)	40 mm

SPECIFICATIONS

i dimension	20 – 70 mm
Overlap height	0 – 25 mm
Leaf width	550 – 1200 mm
Leaf height (min.)	300 mm
Opening width	170 mm
Leaf weight (max.)	100 kg
Pulling force	1500 N
Compressive force	1500 N

ELECTRICAL DATA

Operating voltage	230 V AC
Current consumption	0.2 A
Power consumption	90 W
Frequency	50 Hz
Duty rating	25 %
Temperature range	-20 – 60 °C
IP rating / protection class	IP42

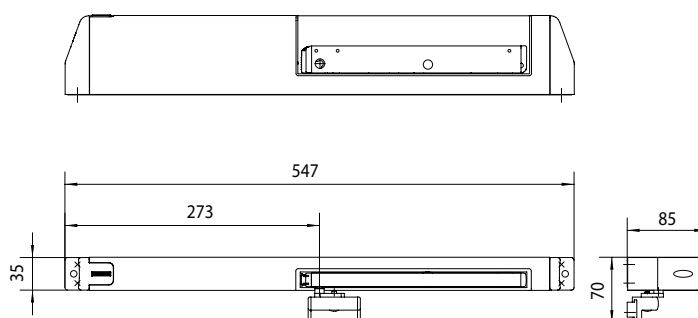
FUNCTIONS

Stroke length settable	●
End position cut-off extended	Limit switch
End position cut-off retracted	Limit switch

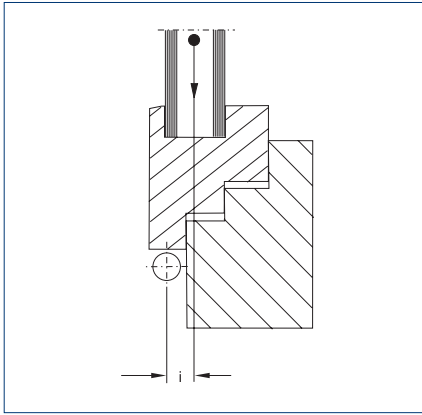
TYPES OF INSTALLATION

Bottom-hung window	inward opening	Frame
--------------------	----------------	-------

● = YES

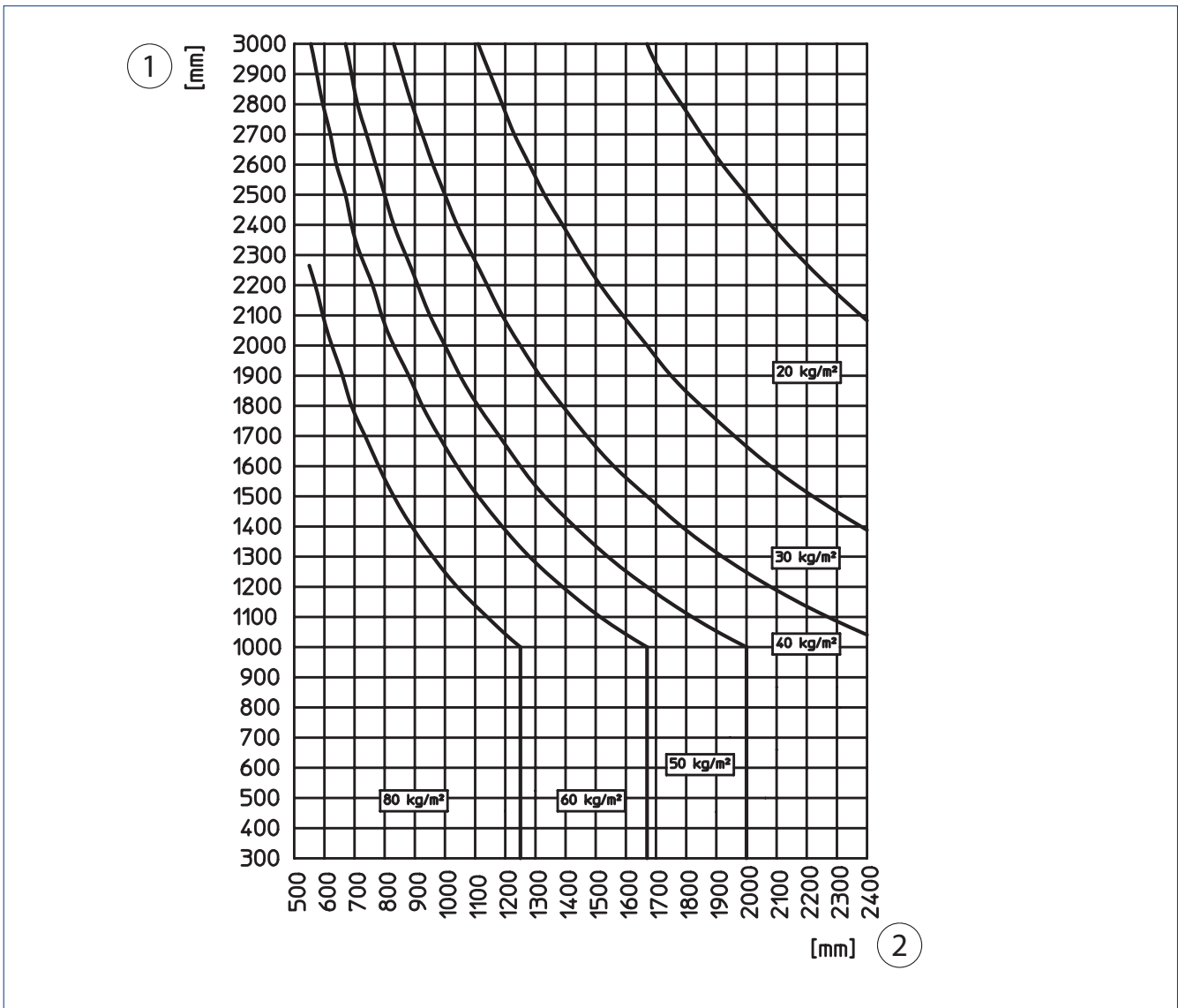
PRODUCT SCALE DRAWING

MAXIMUM WEIGHT PER UNIT AREA DEPENDING ON LEAF DIMENSIONS



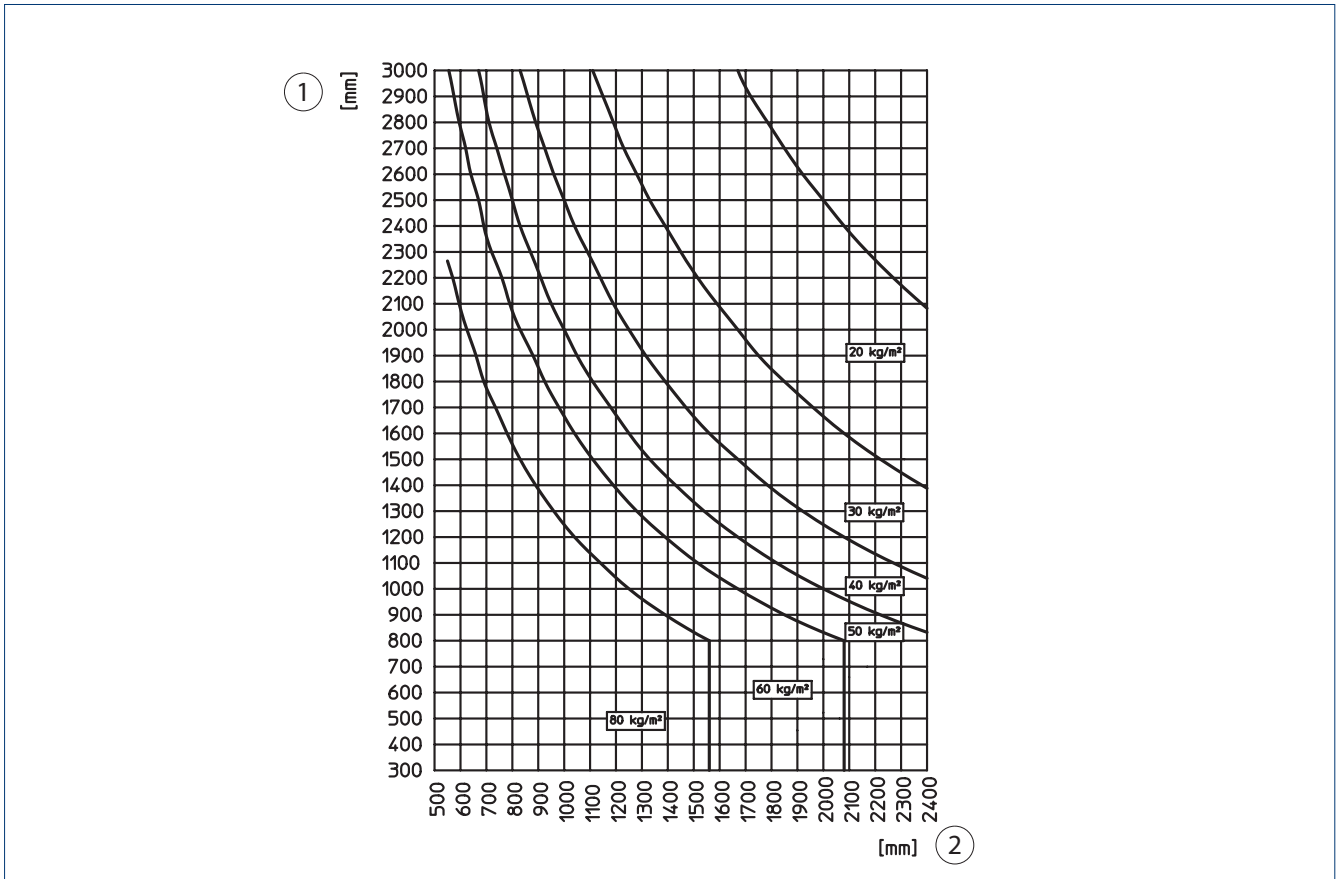
i = Clearance measurement between the leaf's centre of gravity and the hinge pivot point [mm]

I DIMENSION = 20 - 70



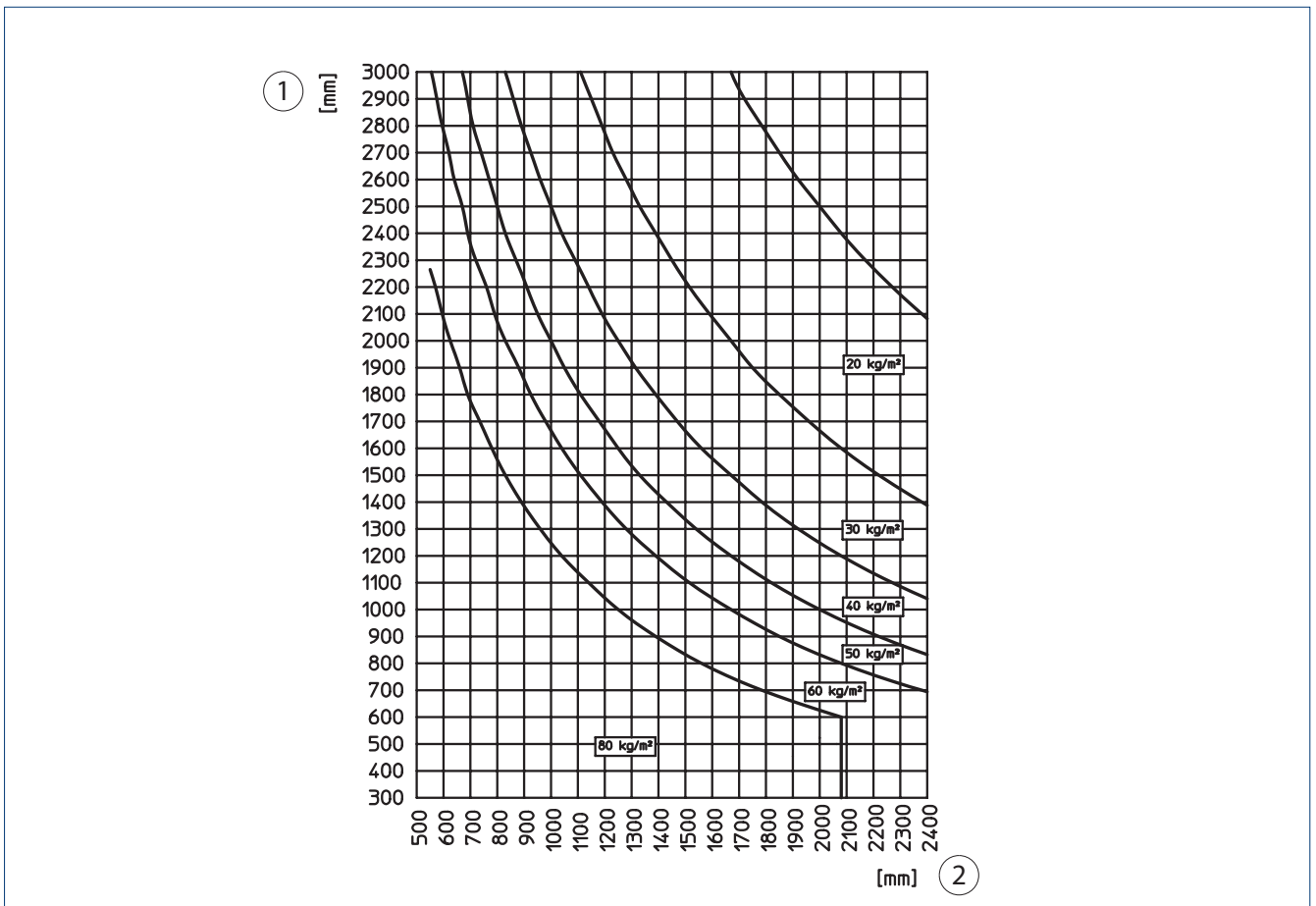
1 = Leaf height | 2 = Leaf width

I DIMENSION = 30 - 60



1 = Leaf height | 2 = Leaf width

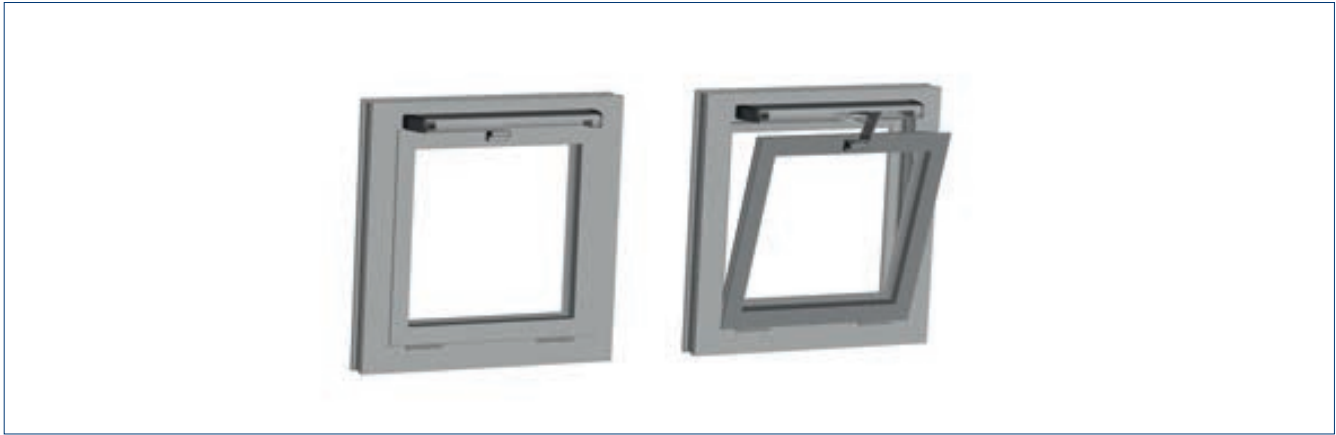
I DIMENSION = 40 - 50



1 = Leaf height | 2 = Leaf width

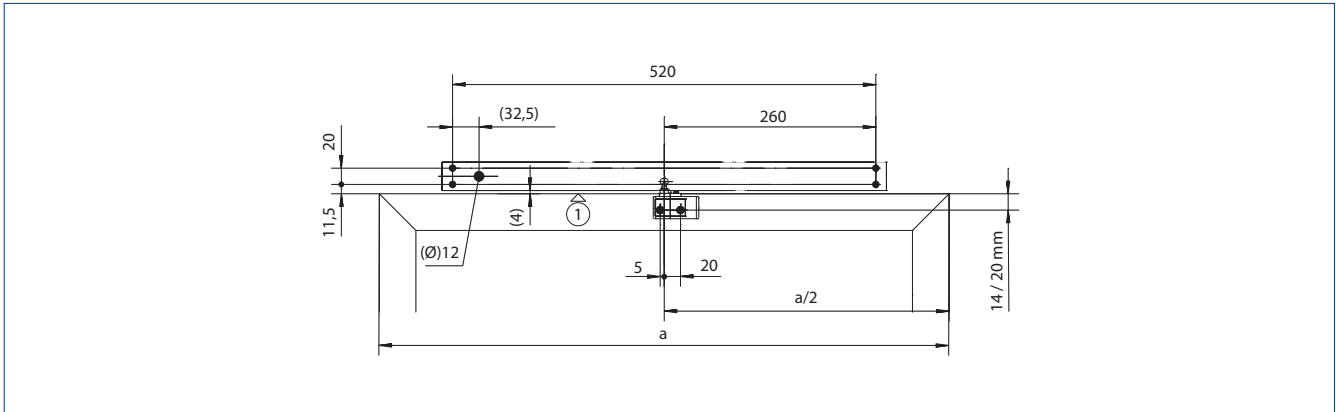
TYPES OF INSTALLATION

E 170 SCISSOR DRIVE



Leaf width 550 – 1200 mm

FITTING DIMENSIONS E 170

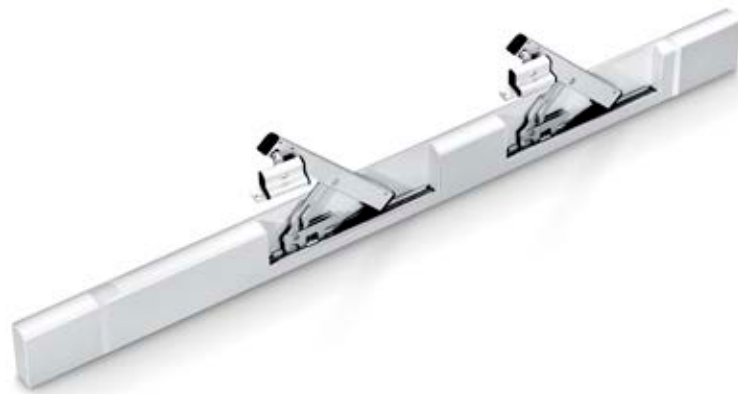


1 = Top edge leaf

ORDER INFORMATION

Designation	Version	ID no.
E 170, 230 V incl. leaf bracket	EV1	128707
	white RAL 9016	128708
	acc. to RAL	128709
ACCESSORIES		
Safety scissors no. 35	galvanised	014499
Safety scissors no. 60	galvanised	133814
Standard leaf bracket suitable for E 170	EV1	128925
	white RAL 9016	128926
	acc. to RAL	128927
Sliding leaf bracket suitable for E 170	EV1	128928
	white RAL 9016	128929
	acc. to RAL	128930
Variable cover for E 170 The design set for GEZE scissor drives	EV1	128922
	white RAL 9016	128923
	acc. to RAL	128924

E 170/2



Scissor drive as design solution for optimal ventilation of wide windows

AREAS OF APPLICATION

- Natural ventilation (230 V version) in the façade area
- Solution for activation of wide windows
- Inward opening bottom-hung leaves
- Installation on wooden, PVC or metal windows
- Frame installation

PRODUCT FEATURES

- Combines the OL 90 N fanlight opener and the E 212 electric linear drive in a single product
- Scissors integrated in the cover profile
- Attractive design and additional protection against contamination
- Opening width is variably adjustable and can therefore be flexibly regulated on site

TECHNICAL DATA

E 170/2

GENERAL

Dimensions (L x H x D)	900 x 85 x 35 mm
Height	85 mm
Depth	35 mm
Space needed on frame (min.)	40 mm

SPECIFICATIONS

i dimension	20-70 mm
Overlap height	0 – 25 mm
Leaf width	Length 900 mm: 900 – 1600 mm Length 1600 mm: 1600 – 2400 mm
Leaf height (min.)	300 mm
Opening width	170 mm
Leaf weight (max.)	100 kg
Pulling force	1500 N
Compressive force	1500 N

ELECTRICAL DATA

Operating voltage	230 V AC
Current consumption	0.2 A
Power consumption	90 W
Frequency	50 Hz
Duty rating	25 %
Temperature range	-20 – 60 °C
IP rating / protection class	IP42

FUNCTIONS

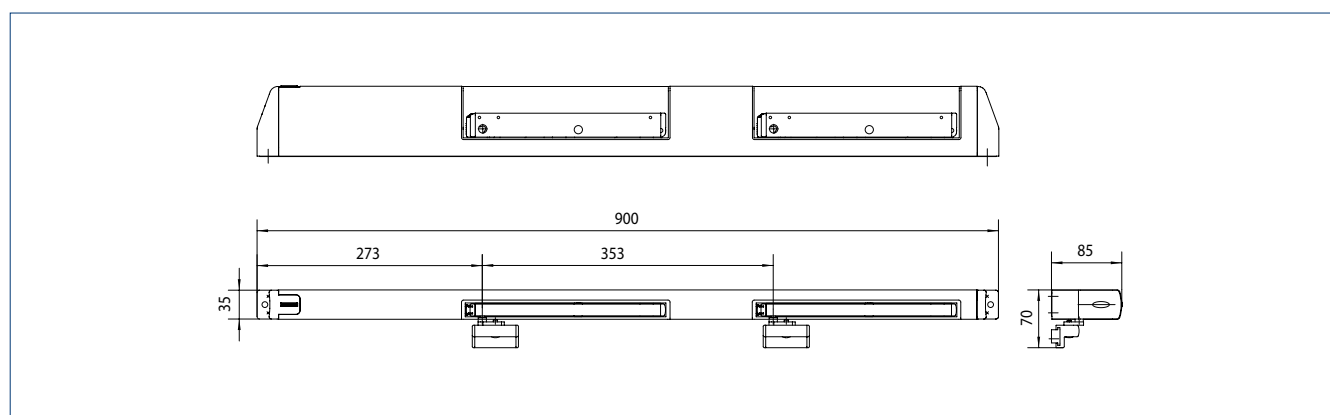
Stroke length settable	●
End position cut-off extended	Limit switch
End position cut-off retracted	Limit switch

TYPES OF INSTALLATION

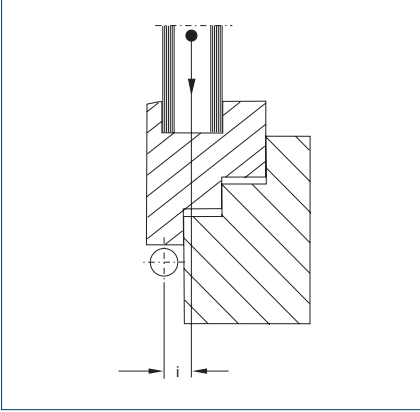
Bottom-hung window	inward opening	Frame
--------------------	----------------	-------

● = YES

PRODUCT SCALE DRAWING

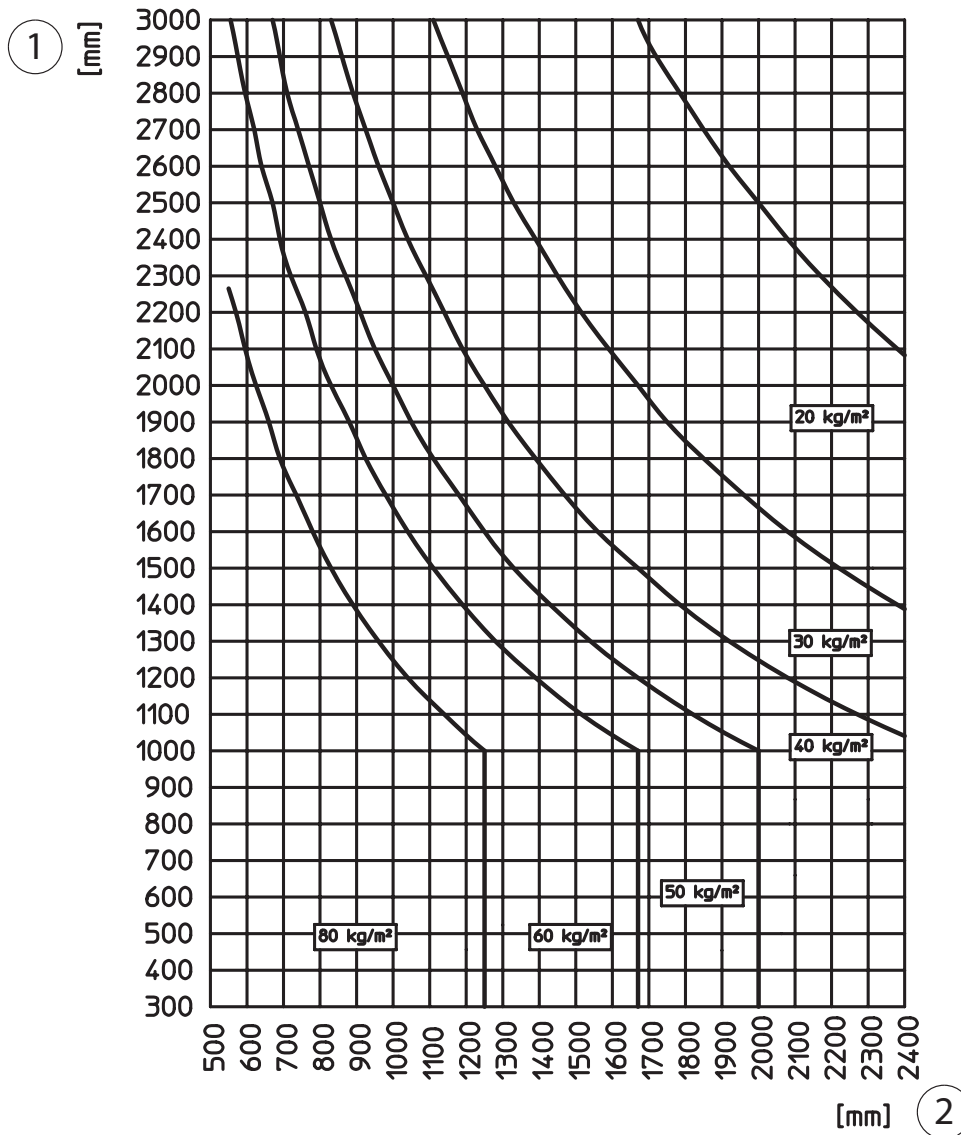


MAXIMUM WEIGHT PER UNIT AREA DEPENDING ON LEAF DIMENSIONS



i = Clearance measurement between the leaf's centre of gravity and the hinge pivot point [mm]

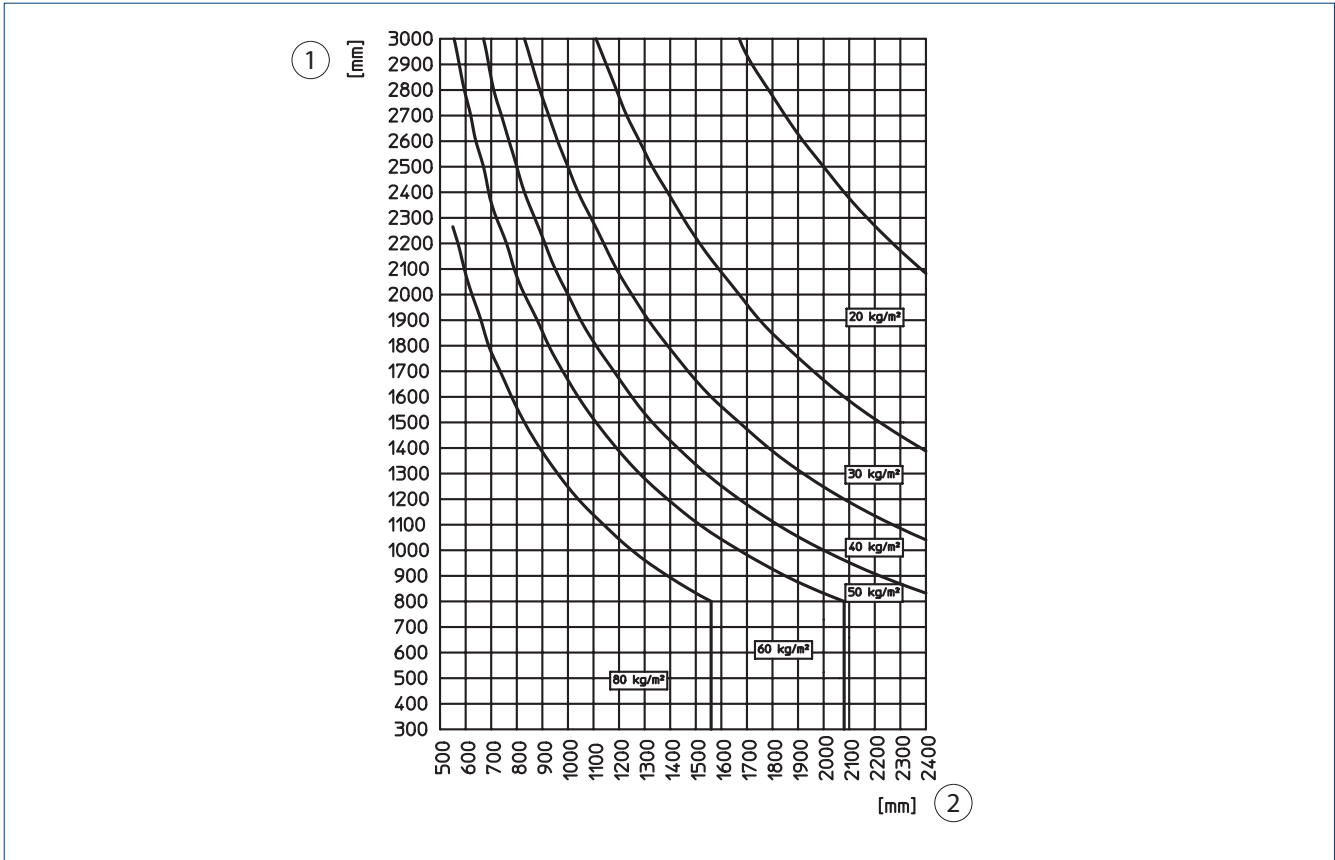
I DIMENSION = 20 - 70



1 = Leaf height | 2 = Leaf width

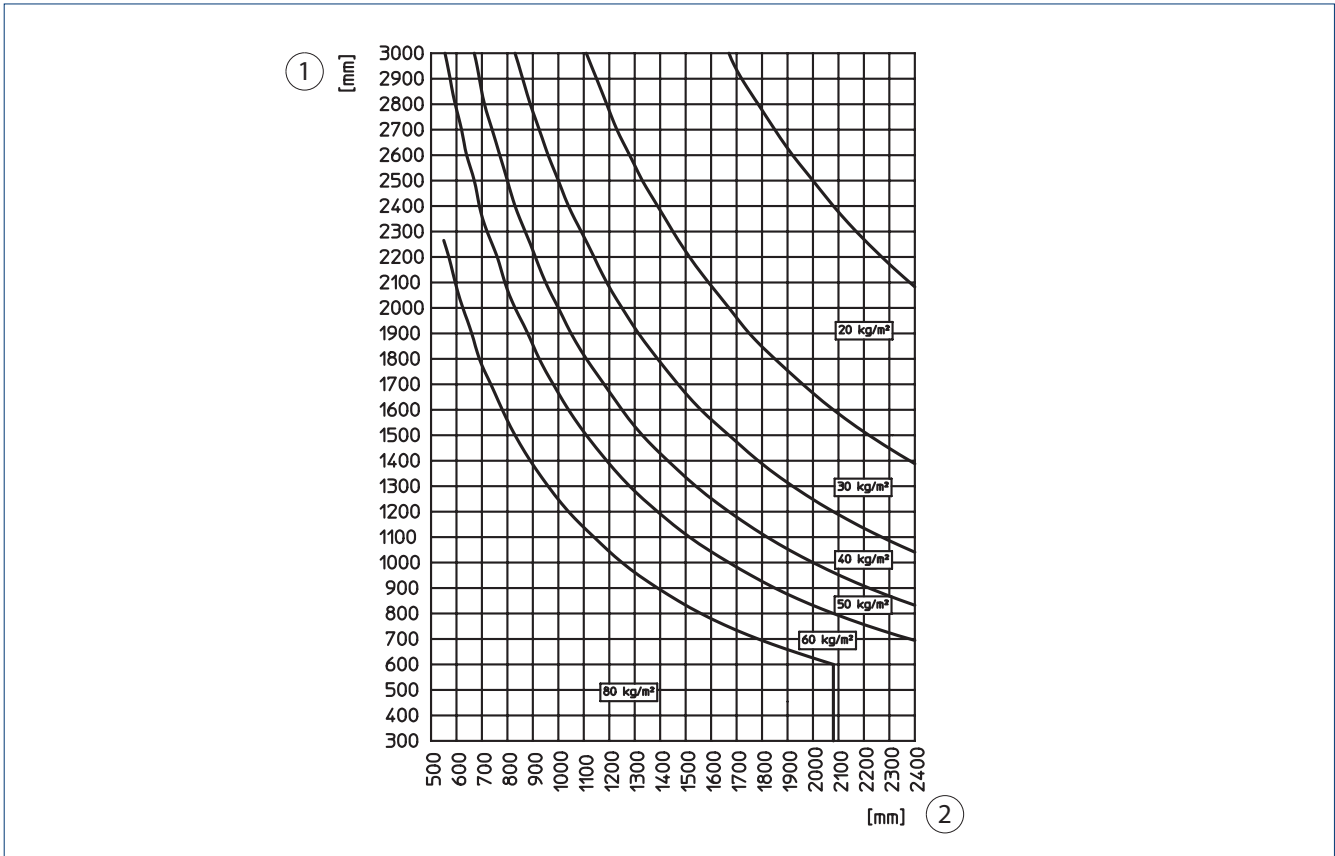
INSTALLATION

I DIMENSION = 30 - 60



1 = Leaf height | 2 = Leaf width

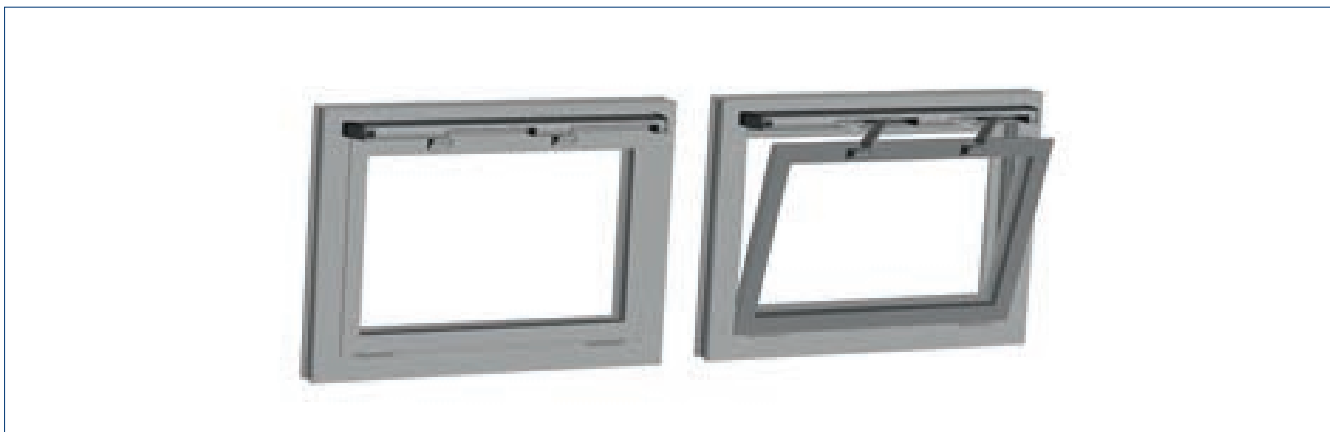
I DIMENSION = 40 - 50



1 = Leaf height | 2 = Leaf width

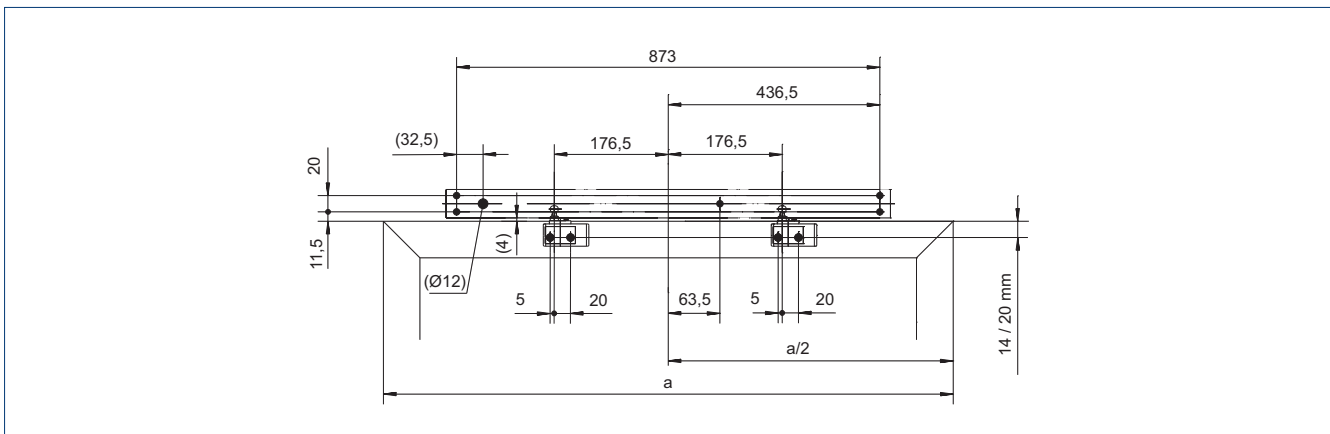
TYPES OF INSTALLATION

E 170/2 SCISSOR DRIVE

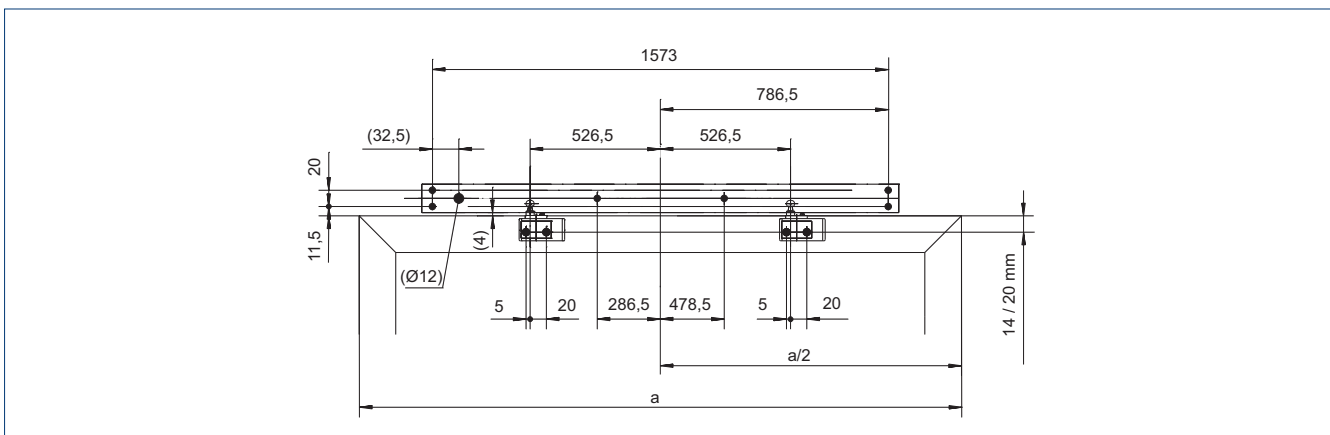


For leaf width 900 – 1600 (1600 – 2400) mm, 2-scissors

FITTING DIMENSIONS E 170/2 UP TO 1600 MM



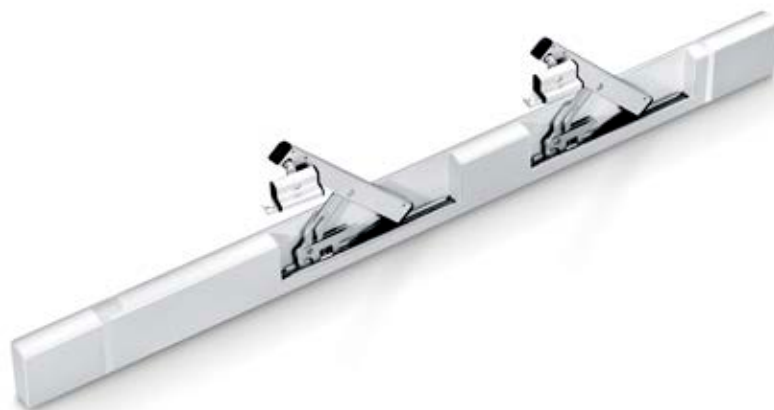
FITTING DIMENSIONS E 170/2 UP TO 2400 MM



ORDER INFORMATION

Designation	Version	ID no.
E 170/2, 230 V to 2400 mm Including leaf bracket	EV1	128720
	white RAL 9016	128721
	acc. to RAL	128722
E 170/2, 230 V up to 1600 mm Including leaf bracket	EV1	128714
	white RAL 9016	128715
	acc. to RAL	128716
ACCESSORIES		
Safety scissors no. 35	galvanised	014499
Safety scissors no. 60	galvanised	133814
Standard leaf bracket suitable for E 170	EV1	128925
	white RAL 9016	128926
	acc. to RAL	128927
Sliding leaf bracket suitable for E 170	EV1	128928
	white RAL 9016	128929
	acc. to RAL	128930
Variable cover for E 170 The design set for GEZE scissor drives	EV1	128922
	white RAL 9016	128923
	acc. to RAL	128924

Variable cover for E 170



Attractive design and additional protection
against contamination for GEZE scissor drives

AREAS OF APPLICATION

- For individual solutions
- Use in mullion bolt façades

PRODUCT FEATURES

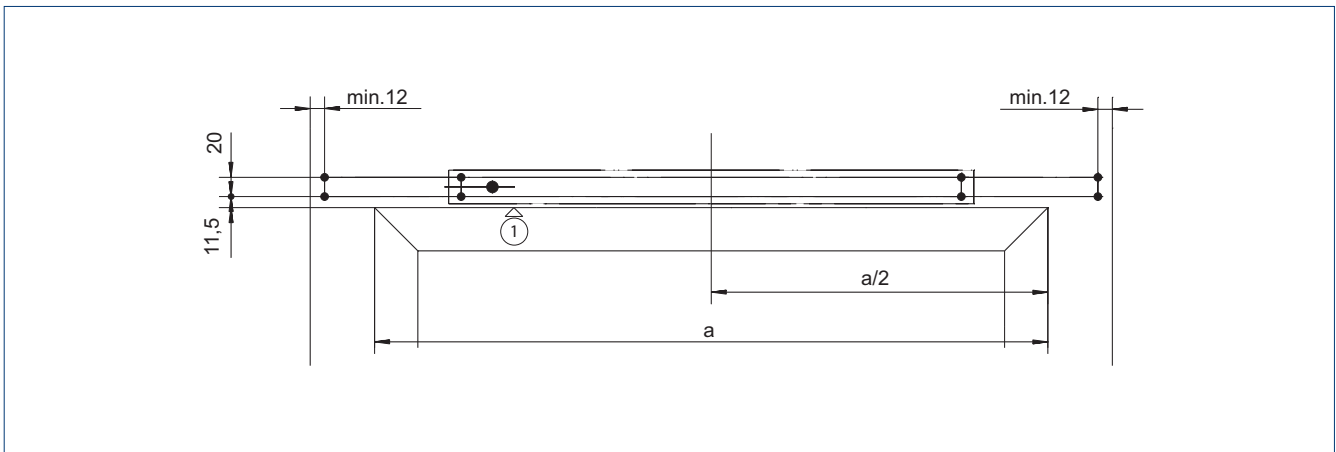
- Enables a continuous visual appearance and thus creates a uniform appearance

SCISSOR DRIVES E 170/2



With variable cover (design set)

FITTING DIMENSIONS E 170 WITH DESIGN SET



Side limit (e.g. mullion or reveal) | 1 = Top edge leaf

F 1200+



Fitting drive for especially heavy turn-and-tilt and bottom-hung windows

AREAS OF APPLICATION

- Automation of large window panels for natural ventilation
- Can be used for natural ventilation (24 V) in the façade area
- For inward opening turn-and-tilt and bottom-hung windows
- Installation on aluminium windows
- Leaf installation

PRODUCT FEATURES

- Tilt and locking function plus manual turn function combined in one drive
- Achieves the full tilt-opening width of 180 mm for all leaf heights
- Ventilation with variable adjustment – from gap ventilation to the tilted end position
- Safe use thanks to limitation of bottom opening width and authorised operation of the turn function
- High operating comfort due to operation without force and variable drive positioning
- Proximity sensor activates the control unit when the user approaches
- Brightness sensor adjusts illumination of the control panel to the ambient brightness
- IQ windowdrive – intelligent drive control

TECHNICAL DATA

F 1200+

GENERAL

Dimensions (L x W x H):	505 x 52 x 45 mm
Housing material	Aluminium

SPECIFICATION

Opening width (max.)	180 mm
Opening speed ventilation	11 mm/s
Unlocking force in turning position	500 N
Locking and unlocking force in tilted position	700 N
Temperature range	-5 – 70 °C

ELECTRICAL DATA

Operating voltage	24 V DC ± 10%
Current consumption	2.5 A
power consumption	60 W
IP rating/protection class	IP40/III

FUNCTIONS

Overload cut-off	●
Opening speed adjustable	●

APPLICATION LIMITS

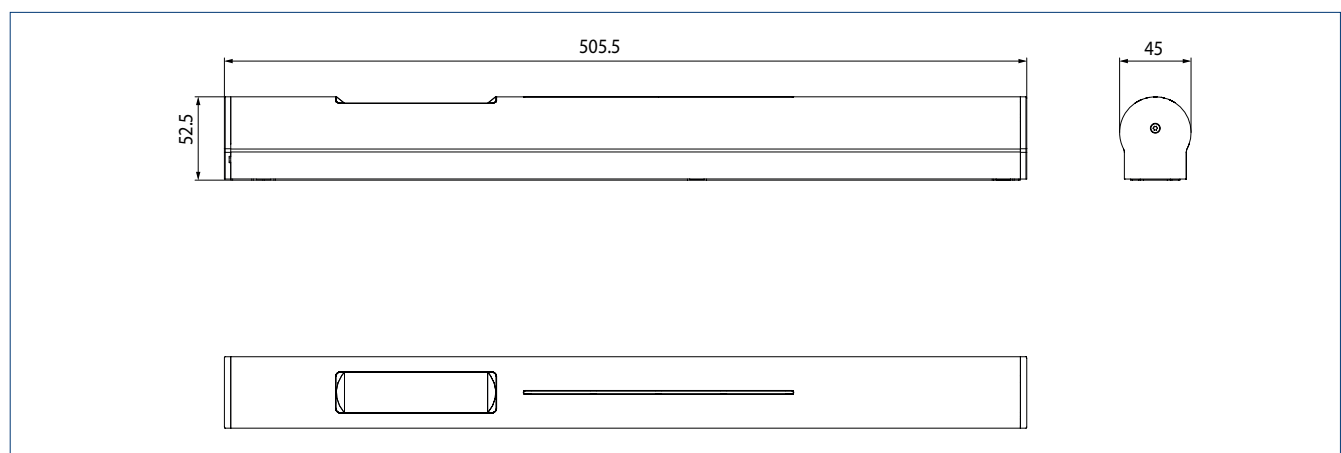
Leaf width (min.)	750 mm
Leaf width (max.)	2400 mm
Leaf weight (max.)	200 kg
Panel weight (max.)	150 kg/m ²
Leaf height (min.) with horizontal installation	750 mm
Leaf height (max.) with horizontal installation	3500 mm
Leaf height (min.) with vertical installation	980 mm
Leaf height (max.) with vertical installation	3500 mm

TYPES OF INSTALLATION

Bottom-hung window	inward opening	Leaf
Turn-and-tilt bottom-hung window	inward opening	Leaf

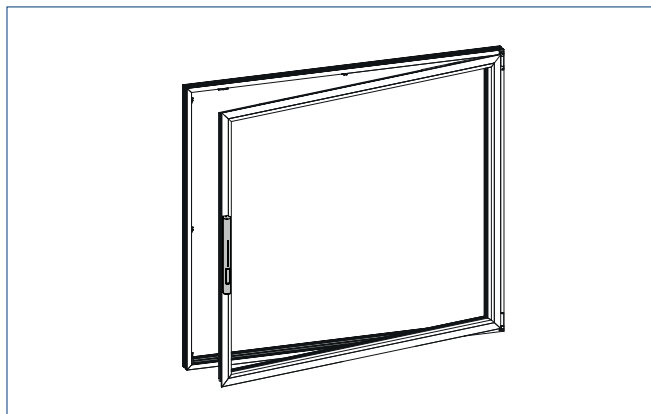
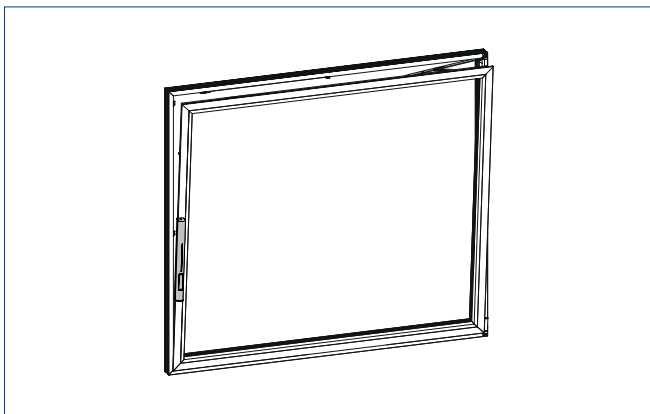
● = YES

PRODUCT SCALE DRAWING



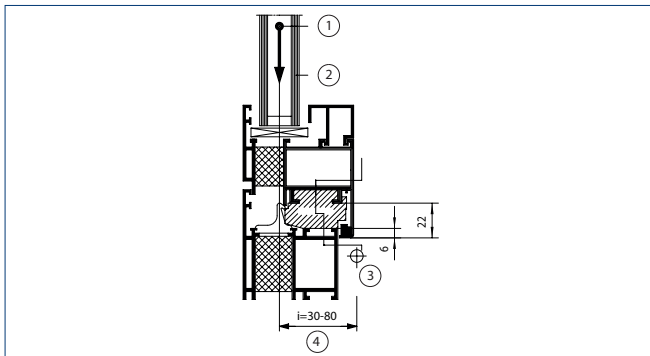
TYPES OF INSTALLATION

Leaf installation tilt-and-turn and bottom-hung window INWARD opening



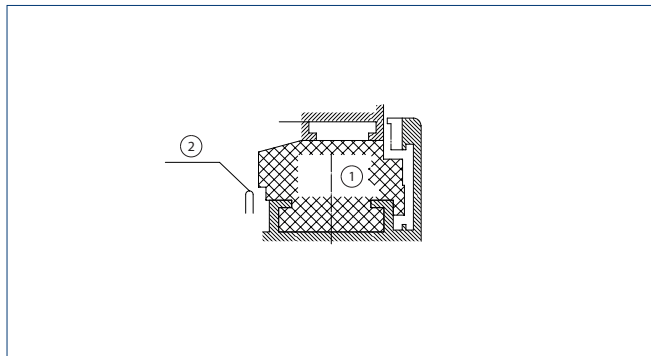
CROSS-SECTION IN PROFILE

LEAF CENTRE OF GRAVITY



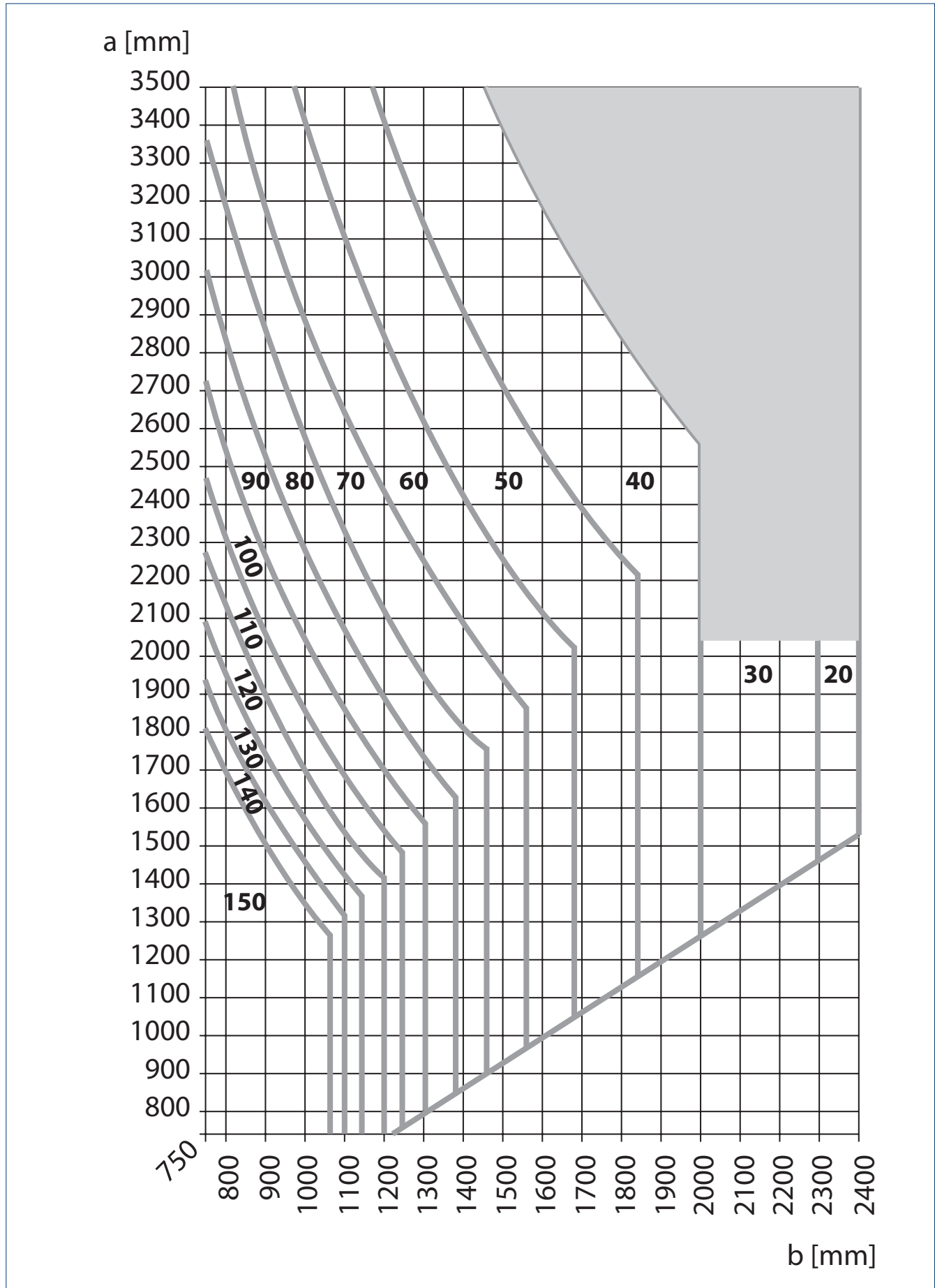
1 = Leaf centre of gravity | 2 = Glass panel weight kg/m² | 3 = Leaf pivot point | 4 = Distance apart

HARDWARE CHAMBER



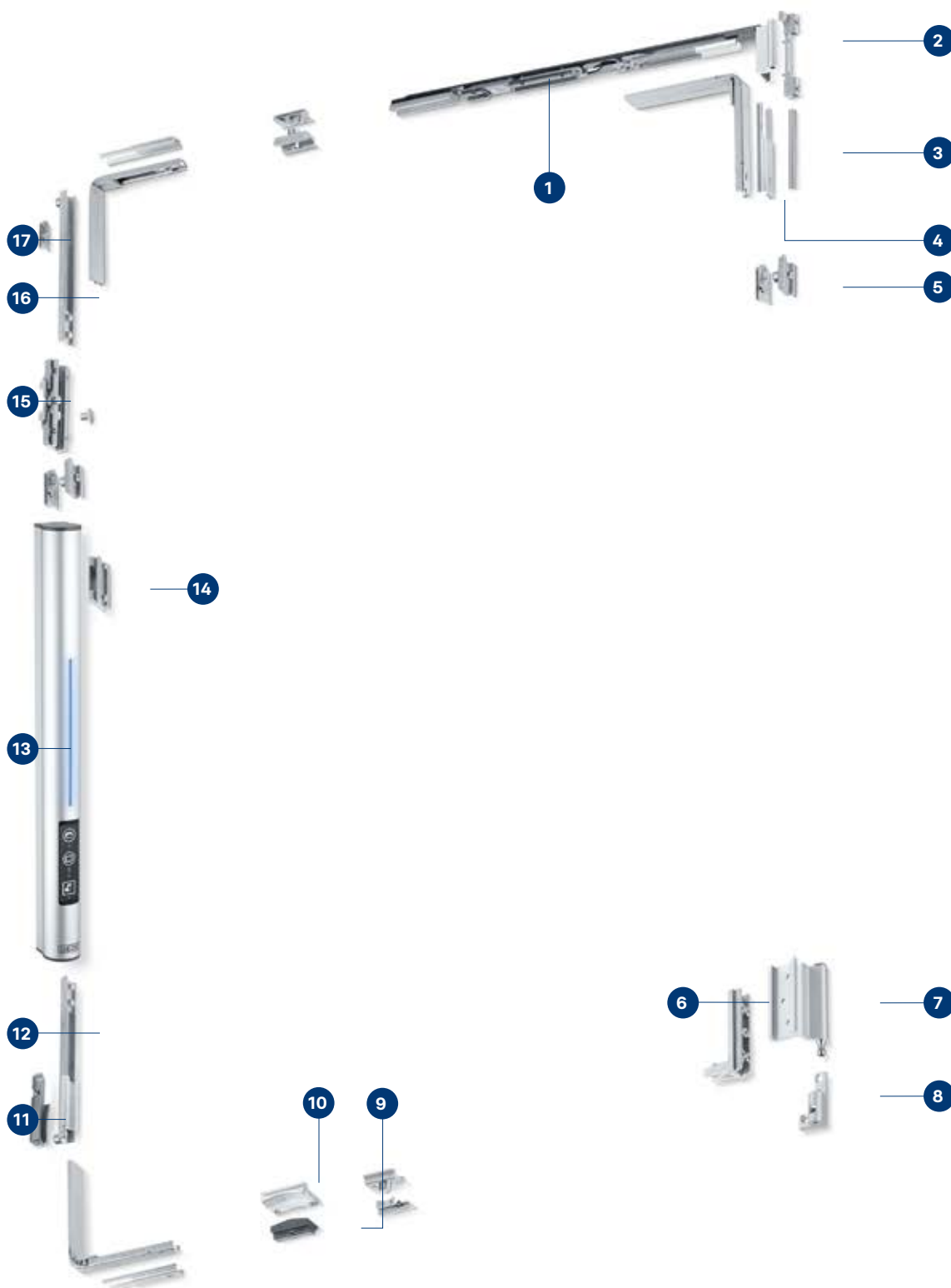
1 = Space needed for F 1200 components | 2 = Seal end face

APPLICATION DIAGRAM



a = Leaf height | b = Leaf width | Values within the diagram = panel weight kg/m²

F 1200+ IN THE CASE OF VERTICAL OPERATION – COMPONENTS OF THE HARDWARE SYSTEM



- | | | | |
|---|------------------------------------|----|----------------------|
| 1 | Cross scissors with scissor hinge | 10 | Buffer |
| 2 | Scissors hinge | 11 | Tilt locking part |
| 3 | Bearing pin | 12 | Tilt locking slide |
| 4 | Corner transmission and face plate | 13 | F 1200+ drive |
| 5 | Locking part and bolt component | 14 | Driver |
| 6 | Clamping rail | 15 | Fail safety assembly |
| 7 | Turn-and-tilt hinge | 16 | Locking slide |
| 8 | Turn-and-tilt bearing | 17 | Locking part |
| 9 | Buffer support | | |

ORDER INFORMATION

Designation	Type of installation	Version	ID No.
F 1200+ fitting drive for vertical installation	left	EV1	191142
for motorisation of the F 1200 turn-and-tilt hardware	right	EV1	193444
F 1200+ Fitting drive for horizontal installation	left	EV1	191143
for motorisation of the F 1200 turn-and-tilt hardware	right	EV1	191144
F 1200+ Fitting drive for motorisation of the F 1200 turn-and-tilt hardware Can be configured: Type of installation, lockability, stroke, Speed, push button operation, colour and accessories		acc. to RAL	204761
Cable transition 2 m/3 m for power supply to window drives		grey	193287
Cable transition 4 m/6 m for power supply to window drives		grey	193863
ACCESSORIES			
F 1200 basic hardware	left	silver-coloured	062910
Without gear, for vertical assembly	right	silver-coloured	062908
Cranked turn-and-tilt hardware system for manual ventilation of rooms and staircases	left	acc. to RAL	015865
	right	acc. to RAL	015859
Additional scissors F 1200	left	silver-coloured	062914
For leaf widths from 1400 mm upwards	right	silver-coloured	062913
Central locking system F 1200 Vertical or horizontal		silver-coloured	062912
Locking part		silver-coloured	062944
Bolt piece		silver-coloured	062937
Corner transmission		silver-coloured	063211

Accessories



F 1200 basic hardware
(062910, 062908, 015859,
015865)



Additional scissors F 1200
(062914, 092913)



Central locking system F 1200
(062912)



Locking part
(062944)



Bolt point
(062937)



Corner transmission F 1200
(063211)



Cable transition
(193287, 193863)







WINDOWS

Locking drives

Locking drives offer additional safety for your large smoke and heat extraction or ventilation windows. They are the solution for large leaf areas, when locking with the drive's retention force is not sufficient. With additional locking drives, windows can withstand wind load. They provide sealing in the event of pelting rain and are air tight, in addition to providing increased burglar resistance. GEZE also offers locking elements for window ventilation systems with manual fanlight openers for mechanical ventilation.



Power lock



Locking drive in combination with Slimchain, Powerchain or E 250 NT

AREAS OF APPLICATION

- Additional safety and protection against weather conditions
- Natural ventilation, smoke and heat extraction systems (SHEV), natural smoke and heat exhaust ventilation device
- Can be used in the exhaust air and air intake
- Inward-opening windows with bottom-hung, side-hung, top-hung, double-action and vertically centre pivoted leaves
- Installation on wooden, PVC or metal windows
- Leaf or frame installation

PRODUCT FEATURES

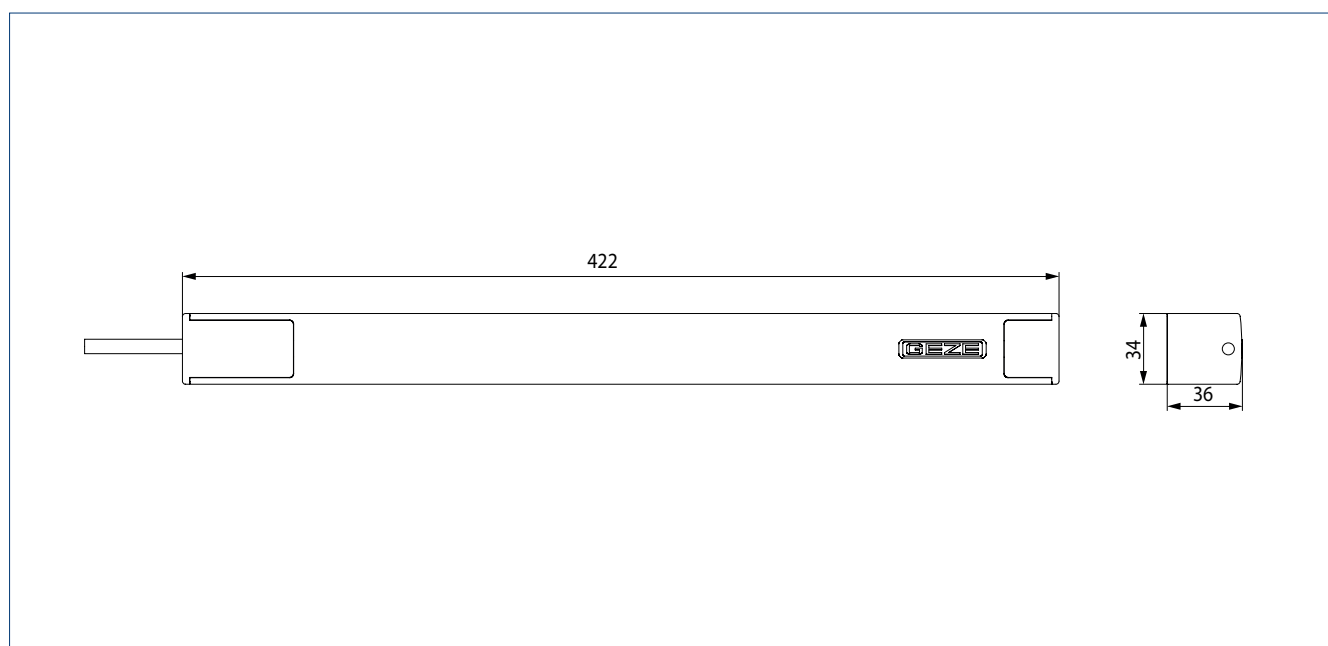
- System solution for locking in combination with the IQ windowdrive Slimchain, Powerchain and E 250 NT window drives
- Automatic locking of the window through access to the window transmission
- Meets high demands for wind load, sealing in the event of rain and air tightness
- Electronic position detection that unlocks the window before opening it
- Electronic end position cut-off provides protection from incorrect operation and overload
- High tensile and compressive force for up to six locking points
- Locking and unlocking in six seconds
- Synchronisation of up to two Power lock and four IQ windowdrive window drives possible
- Tested in combination with IQ windowdrive window drives in accordance with EN 12101-2 (natural smoke and heat exhaust ventilation device)

TECHNICAL DATA

Power lock		
GENERAL		
Dimensions (L x H x D)	430 mm x 34 mm x 36 mm	
Space needed on frame (min.)	Necessary space should be determined individually	
Space needed on leaf (min.)	Necessary space should be determined individually	
SPECIFICATIONS		
Possible stroke lengths	22 mm	
Opening speed ventilation	3.6 mm/s	
Locking and unlocking time	6 s	
Locking points (max.)	6	
Pulling force (max.)	600 N	
Compressive force (max.)	600 N	
ELECTRICAL DATA		
Operating voltage	24 V	
Current consumption	1.5 A	
Power consumption (max.)	36 W	
Length of connector cable	2 m	
Special length of connector cable	5 m, 7.5 m	
Cable dimensions	4 x 0.75 mm ²	
Temperature range	-5 – 70 °C	
IP rating / protection class	IP42/III	
FUNCTIONS		
Stroke length settable	●	
Natural smoke and heat exhaust ventilation device tested	●	
Microprocessor control unit	integrated	
TYPES OF INSTALLATION		
Bottom-hung window	inward opening	Frame / leaf
Side-hung window	inward opening	Frame / leaf
Top-hung window	inward opening	Frame / leaf
Centre pivoted window	inward opening	Frame
Vertically centre pivoted window	inward opening	Frame

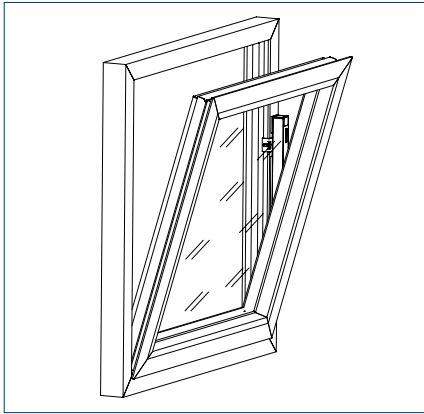
● = YES

PRODUCT SCALE DRAWING

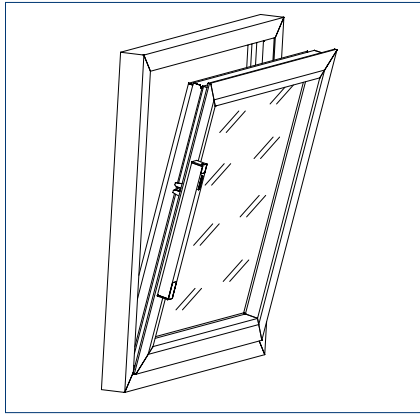


TYPES OF INSTALLATION

Frame installation



Leaf installation

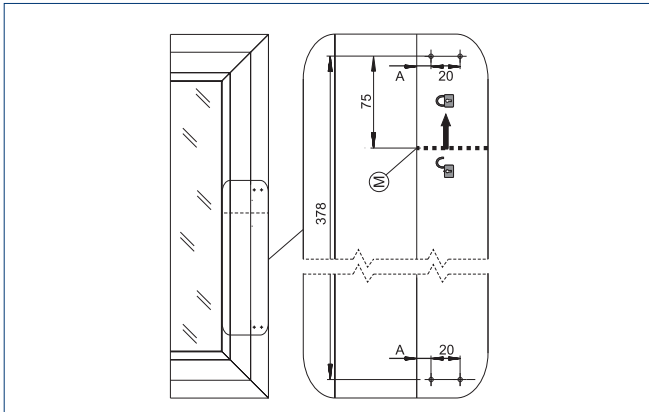


Note:

The E 250 NT electric spindle drive (stroke lengths 100 – 300 mm) is installed flush to the profile on the frame using the tried-and-trusted RWA 100 bracket profile. Locking is achieved using the Power lock locking drive. In less than 60 seconds, the system achieves large opening widths with a small spindle stroke.

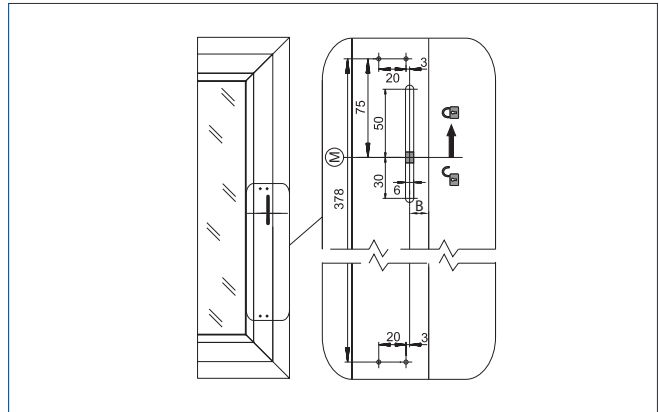
INSTALLATION DIMENSIONS, SPACE NEEDED AND CLOSING DIRECTION

Installation dimensions frame installation



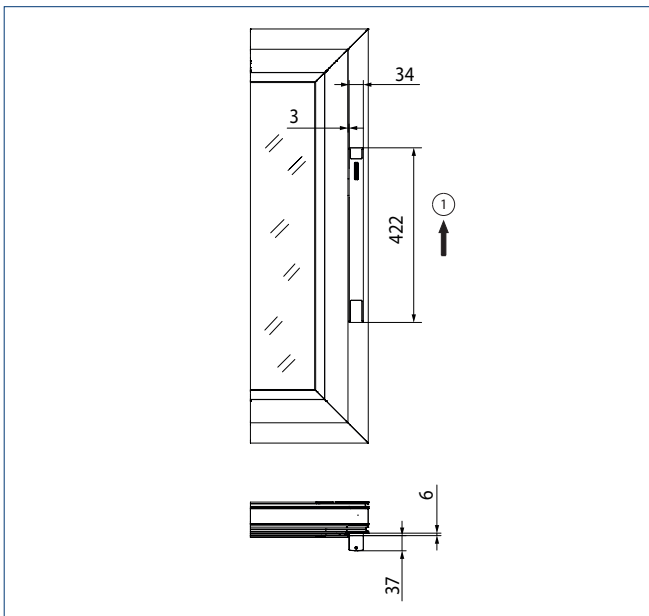
A = frame installation | M = Unlocked

Installation dimensions leaf installation



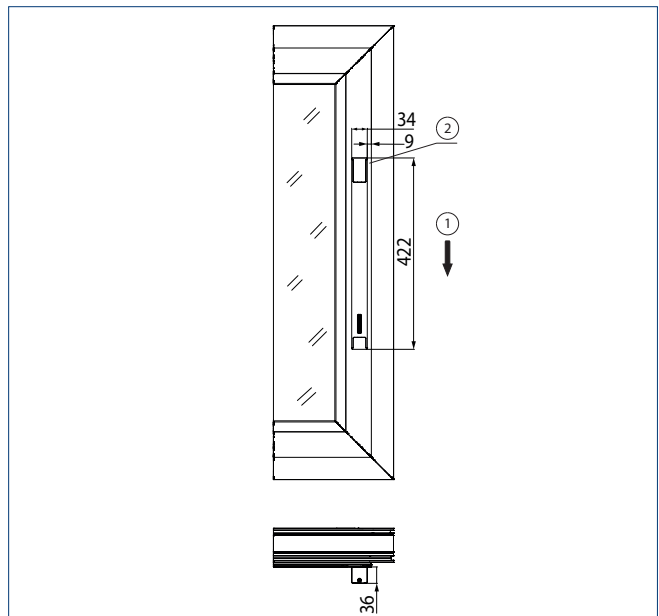
B = Leaf installation | M = Unlocked

Space needed for frame installation



1 = Closing direction

Space needed for leaf installation



1 = Closing direction | 2 = Height needed: min. 40 mm above and below the drive for line-feed and for loosening the cover caps

Material	Manufacturer	Profile system	Frame installation	Leaf installation
			A	B
Aluminium	Aluprof	MB-60	10	13 ³⁾
		MB-70	10	13 ³⁾
	Gutmann	S70	9	13 ³⁾
	Heroal	065	10	13 ³⁾
		110ES	10	13 ³⁾
	Hueck	Lambda 65	10	14
		Lambda 77	10	14
	Raico	Frame+ 65 W	10	13 ³⁾
		Frame+ 75 WB	10	13 ³⁾
SAPA	1074		10	
	1086		10	
Schüco	AWS 65	10	11	
	AWS 75	10	11	
Wicona	Wicline 65 EVO	10	13	
	Wicline 75 EVO	10	13	
Plastic	EgoKiefer	AS1	9	14
	Profine	Kömmerling 88plus	9	15
	Veka	Alphaline 90	9	–
Softline 82 MD		9	–	
Wood	Gutmann	Mira	9	–
	Landgraf	IV79	9	–
	Oertli	IV68 / IV80	9	–

All dimensions in mm.

3 = only with tapping screws | Further profile ranges on request.

ORDER INFORMATION

Designation	Dia. of driver	Version	ID no.
Power lock Locking stroke max.: 22 mm		EV1 white RAL 9016	147020 147021
Power lock Can be configured: Cable length, colour		acc. to RAL	147022

ACCESSORIES

Installation set leaf Driver fork length 35 mm	11.5 mm 8.5 mm		150505 147025
Installation set leaf for wooden / PVC windows Driver fork length 46 mm	11.5 mm		158238
Frame installation set can be configured as needed: Colour, driver= 8.5 mm / 11.5 mm		acc. to RAL	150010
Frame installation set	11.5 mm	EV1	150507
	8.5 mm	EV1	147026
	11.5 mm	white RAL 9016	150506
	8.5 mm	white RAL 9016	150508

Accessories



Installation set leaf (150505)



Installation set frame (150507)



WINDOWS

Opening/ locking systems

Smoke-free escape routes in case of fire, thanks to natural smoke and heat extraction and smoke ventilation. Welcome side-effect: the function of a window ventilation system for daily ventilation. Smoke and heat extraction opening and locking systems consist of an electric spindle drive and a mechanical hardware set. Large opening widths with a small spindle stroke are achieved in seconds. The systems can be used on all common side-, bottom- and top-hung windows. The drive does not protrude into the room.



RWA 100 NT



Opening and locking system for inward opening bottom-hung, top-hung and side-hung leaves

AREAS OF APPLICATION

- Opening and locking of inward-opening windows with bottom-hung, top-hung and side-hung leaves
- Natural ventilation, smoke and heat extraction system, natural smoke and heat exhaust ventilation device
- Can be used in the exhaust air and air intake
- Installation on wooden, PVC or metal windows

PRODUCT FEATURES

- System solution with E 250 NT spindle drive and a bracket set with locking mechanism
- Mechanical locking at the main closing edge by the spindle drive
- Large opening width with short spindle stroke in less than 60 seconds
- Synchro operation possible with two drives for wide window leaves
- IQ windowdrive – intelligent drive control
- Tested as natural smoke and heat exhaust ventilation device in accordance with EN 12101-2

TECHNICAL DATA

RWA 100 NT

GENERAL

Space needed (min.)	Locking side: 32 mm, Motor side: 48 mm
Permissible dimensions of main closing edge Solo for wooden and aluminium frames	360 - 1200 mm
Permissible dimensions of main closing edge Solo for PVC frames	360 - 800 mm
Permissible dimensions of main closing edge Syncro for wooden and aluminium frames	800 - 2400 mm
Permissible dimensions of main closing edge Syncro for PVC frames	800 - 1600 mm
Leaf heights for Solo and Syncro	520 - 1700 mm

SPECIFICATIONS

Possible stroke lengths	100 mm, 150 mm, 200 mm, 300 mm
Pulling force (max.)	750 N
Compressive force (max.)	750 N
Panel weight (max.) ¹⁾	30 kg/m ²

ELECTRICAL DATA

Operating voltage	24 V (+30% up to -20%)
Current consumption	Ventilation (24 V): 0.9 A; SHEV (18 V): 1.0 A
Power consumption (max.)	20 W
Residual ripple (max.)	30 %
Cable dimensions	4 x 0.75 mm ²
Temperature range	-5 - 75 °C
IP rating / protection class	IP 65 / III

FUNCTIONS

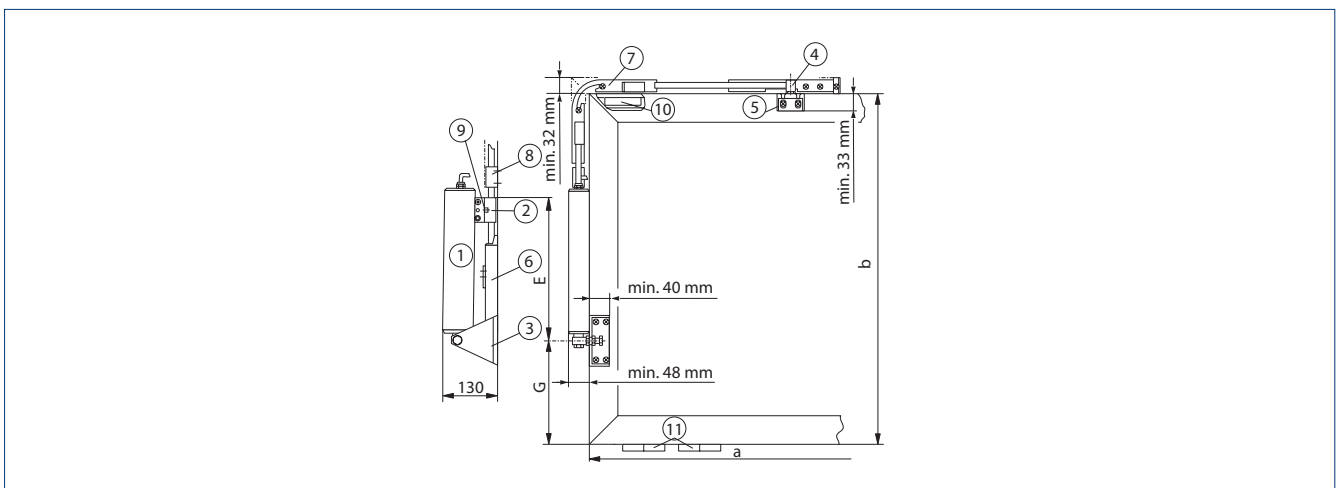
Syncro function	●
Locking mechanism and additional bracket	●
End position cut-off extended	Internal pathfinder
End position cut-off retracted	Internal pathfinder
Overload cut-off	●

TYPES OF INSTALLATION

Bottom-hung window	inward opening	Frame
Side-hung window	inward opening	Frame
Top-hung window	inward opening	Frame

● = YES | 1 = Higher leaf weights possible depending on application and type of installation. Exact calculation with Wincalc necessary.

SYSTEM STRUCTURE



a = Leaf width | b = Leaf height | 1 = E 250 NT electric spindle drive | 2 = Clamping piece | 3 = Toe angle bracket | 4 = additional locking mechanism OL 320 | 5 = Additional bracket complete | 6 = Release spring OL 320 | 7 = Corner transmission OL 320 | 8 = Rod guide OL 320 | 9 = Tilting bracket E 250 | 10 = Buffer support (on site) - only necessary for PVC windows | 11 = 2 hinges on the electric drive side (to be provided on site)

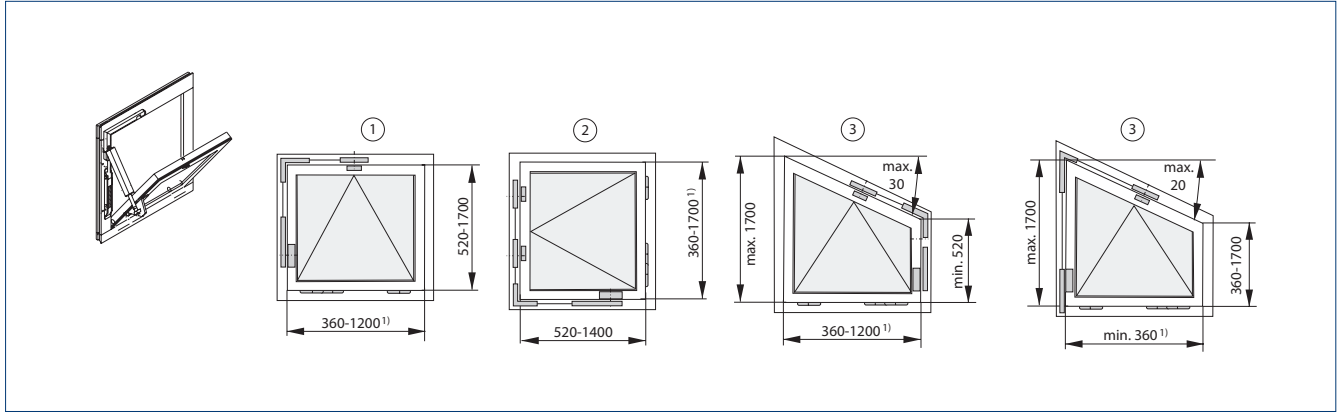
TYPES OF INSTALLATION

PROFILE-MOUNTED SYSTEM FOR VERTICALLY INSTALLED INWARD OPENING BOTTOM-HUNG, TOP-HUNG, PITCHED AND SIDE-HUNG WINDOWS.

The given dimensions are standard; please contact GEZE if you require other dimensions.

Details for wooden/aluminium windows

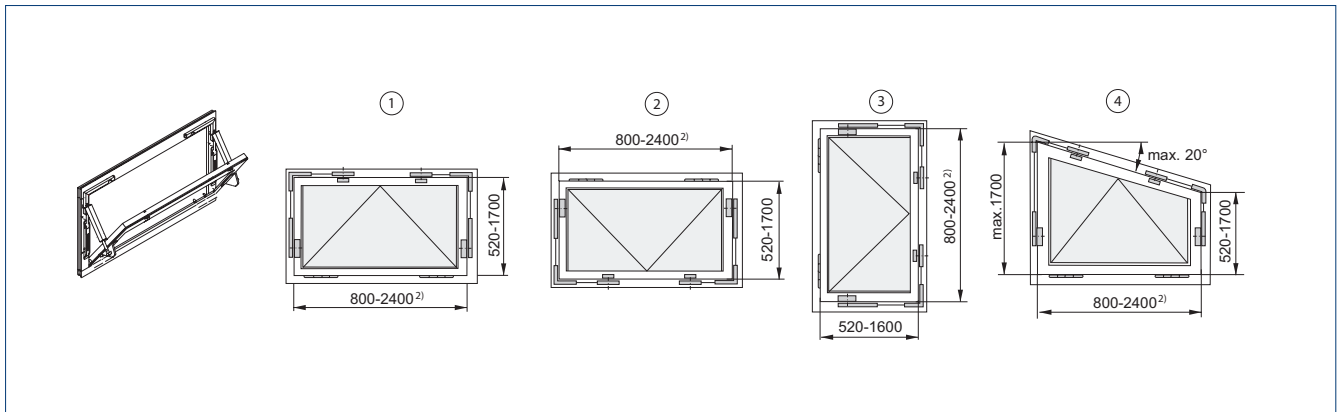
RWA 100 NT



All dimensions in mm

1 = Bottom-hung window | 2 = Side-hung window | 3 = Bespoke angular window tilt | ¹⁾ For Solo PVC window max. 800 mm

RWA 100 NT SYNCRO



All dimensions in mm

1 = Bottom-hung window | 2 = Top-hung window | 3 = Side-hung window | 4 = Bespoke angular window | ²⁾ For Syncro PVC window max. 1600 mm

DETERMINING THE MOTOR STROKE RWA 100 NT

RWA 100 NT and RWA 100 NT Syncro:										Spindle stroke	
Dimensions										[mm]	
Leaf dimension (b) [mm]	520 - 600	600 - 700	700 - 800	800 - 850						100	
G dimension [mm]	65	85	125	145							
Opening angle [°]	approx. 34	approx. 32	approx. 28	approx. 26							
Opening width [mm]	approx. 350	approx. 380	approx. 380	approx. 400							
Leaf dimension (b) [mm]	610 - 630	630 - 700	700 - 800	800 - 900	900 - 1000					150	
G dimension [mm]	100	115	150	200	275						
Opening angle [°]	approx. 49	approx. 47	approx. 42	approx. 36	approx. 31						
Opening width [mm]	approx. 520	approx. 520	approx. 560	approx. 550	approx. 520						
Leaf dimension (b) [mm]	700 - 720	720 - 800	800 - 900	900 - 1000	1000 - 1100	1100 - 1200	1200 - 1300			200	
G dimension [mm]	145	160	215	275	325	425	525				
Opening angle [°]	approx. 58	approx. 55	approx. 47	approx. 41	approx. 37	approx. 31	approx. 27				
Opening width [mm]	approx. 690	approx. 720	approx. 710	approx. 690	approx. 690	approx. 650	approx. 610				
Leaf dimension (b) [mm]	950 - 1000	1000 - 1050	1050 - 1100	1100 - 1150	1150 - 1250	1250 - 1320	1320 - 1400	1400 - 1500	1500 - 1600	1600 - 1700	300
G dimension [mm]	290	335	350	415	465	495	565	645	715	815	
Opening angle [°]	approx. 58	approx. 53	approx. 51	approx. 46	approx. 43	approx. 41	approx. 38	approx. 34	approx. 32	approx. 29	
Opening width [mm]	approx. 970	approx. 930	approx. 950	approx. 900	approx. 900	approx. 920	approx. 890	approx. 870	approx. 860	approx. 830	

ORDER INFORMATION

Designation	Length	Stroke	Version	ID no.
RWA 100 NT		100 mm	EV1	153187
		150 mm	EV1	153190
		200 mm	EV1	153213
		300 mm	EV1	153216
		100 mm	white RAL 9016	153188
		150 mm	white RAL 9016	153211
		200 mm	white RAL 9016	153214
		300 mm	white RAL 9016	153217
		100 mm	acc. to RAL	153189
		150 mm	acc. to RAL	153212
		200 mm	acc. to RAL	153215
		300 mm	acc. to RAL	153218
	RWA 100 NT - special version			acc. to RAL

ACCESSORIES

Rod Ø 12 mm, without cover profile	2000 mm	galvanised	053198
	3000 mm	galvanised	053199
	6000 mm	galvanised	054116
Cover profile OL 320 length 2000 mm Mitre-cut at both ends		EV1	058771
		white RAL 9016	018293
		acc. to RAL	014258
Cover profile OL 320 length 3000 mm Mitre-cut at both ends		EV1	058774
		white RAL 9016	018294
		acc. to RAL	014259
Cover profile OL 320 length 6000 mm Straight-cut at both ends		EV1	058630
		white RAL 9016	018251
		acc. to RAL	013814
Drilling template for RWA 100E			014740
Additional bracket for overlap height 0 - 12 mm		EV1	050727
		white RAL 9016	015519
		acc. to RAL	013077
Additional locking mechanism for OL 320 without additional bracket, overlap height 12-25 mm		EV1	063974
		white RAL 9016	018257
		acc. to RAL	013080
Additional locking mechanism for the secondary closing edge RWA 100E Can be used for RWA 100E, RWA 110E and OL 320		EV1	120297
		white RAL 9016	120298
		acc. to RAL	120299
Corner transmission suitable for OL 320		galvanised	058648

Note:

The E 250 NT electric spindle drive (stroke lengths 100 – 300 mm) is installed flush to the profile on the frame using the tried-and-true RWA 100 brackets. Locking is achieved using the Power lock locking drive. In less than 60 seconds, the system achieves large opening widths with small spindle stroke.

For RWA 100 NT Syncro, two RWA 100 NT in the respective stroke length must be ordered.

RWA 105 NT



Opening and locking system for mullion bolt constructions

AREAS OF APPLICATION

- Natural ventilation, smoke and heat extraction system and natural smoke and heat exhaust ventilation device
- Opening and locking of inward-opening windows with bottom-hung, top-hung and side-hung leaves in mullion bolt façades
- Installation on wooden, PVC or metal windows

PRODUCT FEATURES

- System solution with E 250 NT spindle drive and a bracket set with locking mechanism
- Double mechanical locking at the main closing edge by the spindle drive
- Very little space needed on the frame
- Large opening width with short spindle stroke in less than 60 seconds
- Synchro operation possible with two drives for wide window leaves
- IQ windowdrive – intelligent drive control
- Tested as natural smoke and heat exhaust ventilation device in accordance with EN 12101-2

TECHNICAL DATA

RWA 105 NT

GENERAL

Space needed (min.)	Cover frame: 18 mm, leaf 38 mm, mullion-rail height max. 125 mm
Permissible dimensions of main closing edge Solo for wooden and aluminium frames	depending on stroke
Permissible dimensions of main closing edge Solo for PVC frames	depending on stroke
Permissible dimensions of main closing edge Syncro for wooden and aluminium frames	depending on stroke
Permissible dimensions of main closing edge Syncro for PVC frames	depending on stroke
Leaf heights for Solo and Syncro	depending on stroke

SPECIFICATIONS

Possible stroke lengths	100 mm, 150 mm, 230 mm
Pulling force (max.)	750 N
Compressive force (max.)	750 N
Panel weight (max.) ¹⁾	30 kg/m ²

ELECTRICAL DATA

Operating voltage	24 V (+30% up to -20%)
Current consumption	Ventilation (24 V): 0.9 A; SHEV (18 V): 1.0 A
Power consumption (max.)	20 W
Residual ripple (max.)	30 %
Cable dimensions	4 x 0.75 mm ²
Temperature range	-5 – 75 °C
IP rating / protection class	IP 65 / III

FUNCTIONS

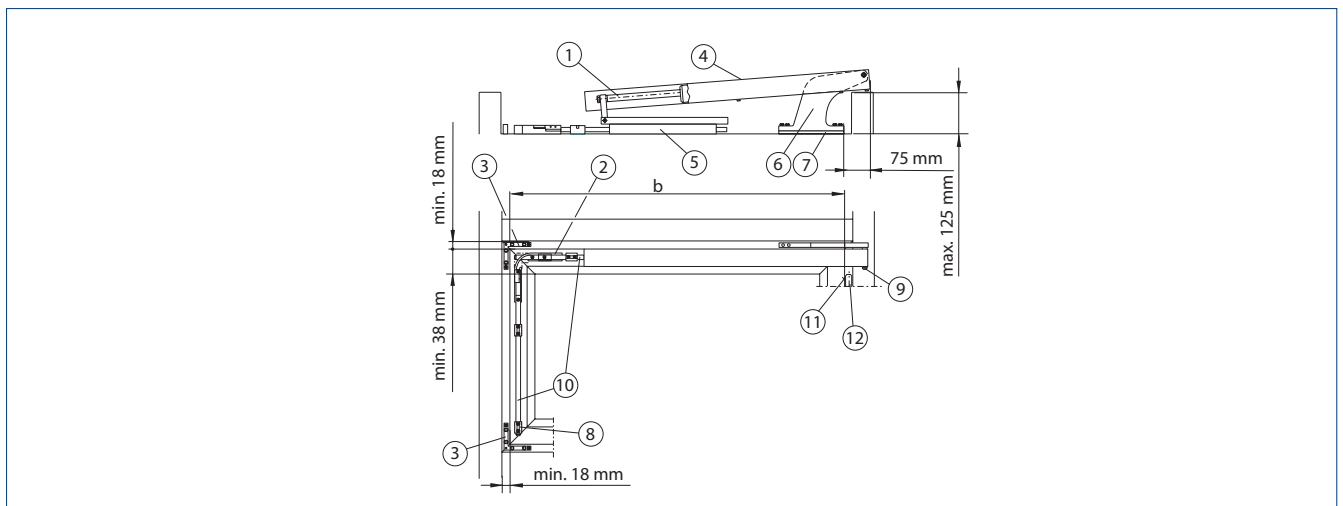
Syncro function	●
Locking mechanism and additional bracket	●
End position cut-off extended	Internal path sensor
End position cut-off retracted	Internal path sensor
Overload cut-off	●

TYPES OF INSTALLATION

Bottom-hung window	inward opening	Leaf
Side-hung window	inward opening	Leaf
Top-hung window	inward opening	Leaf

● = YES | 1 = Higher leaf weights possible depending on application and type of installation. Exact calculation with Wincalc necessary.

SYSTEM STRUCTURE



b = Leaf width | 1 = E 250 NT spindle drive | 2 = Corner transmission | 3 = Locking mechanism | 4 = Cover rail, stroke 230 mm | 5 = Unlocking field | 6 = Bracket | 7 = Bracket support | 8 = Rod guide | 9 = Drive bearing pin | 10 = Rod ø 12, galvanised | 11 = Outer leaf edge | 12 = 2 hinges on the electric drive side (to be provided on site)

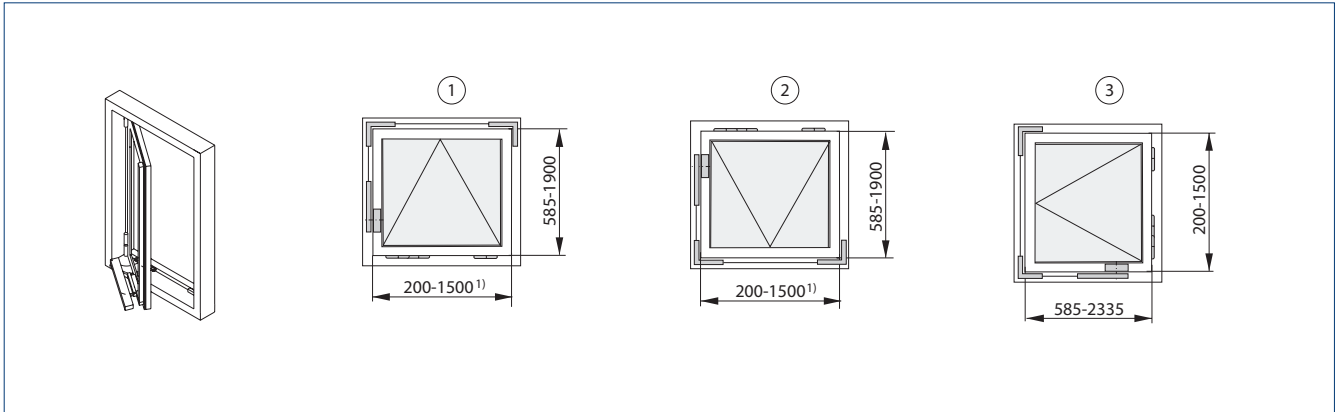
TYPES OF INSTALLATION

PROFILE-MOUNTED SYSTEM FOR VERTICALLY INSTALLED, RECTANGULAR INWARD OPENING BOTTOM-HUNG, TOP-HUNG AND SIDE-HUNG WINDOWS

The given dimensions are standard; please contact GEZE if you require other dimensions.

Details for wooden/aluminium windows

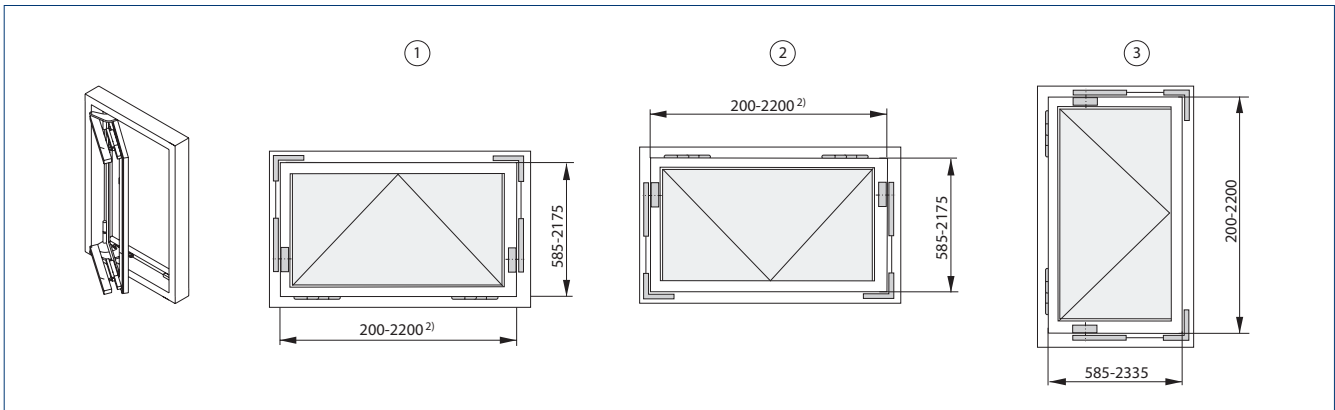
RWA 105 NT



All dimensions in mm

1 = Bottom-hung window | 2 = Top-hung window | 3 = Side-hung window | ¹⁾ For PVC windows Solo max. 800 mm

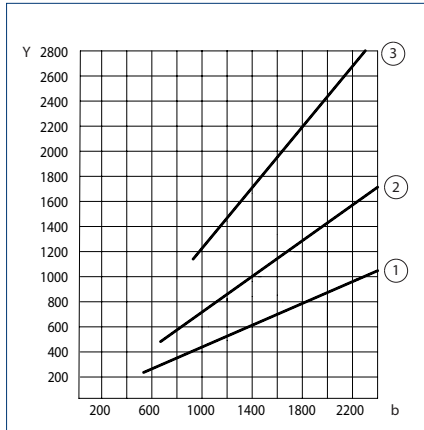
RWA 105 NT SYNCRO



All dimensions in mm

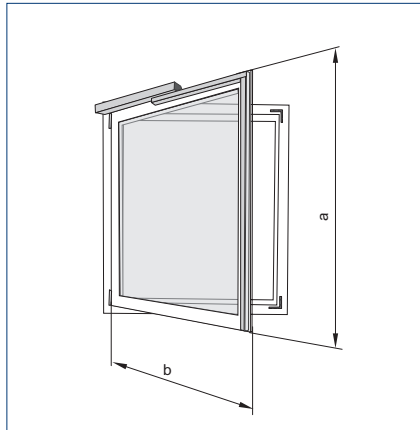
1 = Bottom-hung window | 2 = Top-hung window | 3 = Side-hung window | ¹⁾ For PVC windows Syncro max. 1600 mm

Determining the-opening width (ÖW)



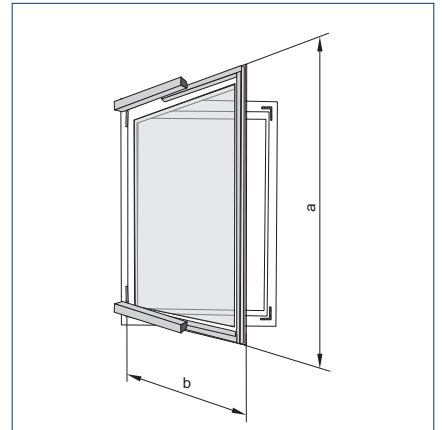
Y = Opening width (mm) | b = Leaf height (bottom-hung leaf)/leaf width (side-hung window) (mm) | 1 = Stroke 100 ÖW-25° | 2 = Stroke 150 ÖW-40° | 3 = Stroke 230 ÖW-75°

Determining the Solo motor stroke



a = Leaf height | b = Leaf width

Determining the Syncro motor stroke

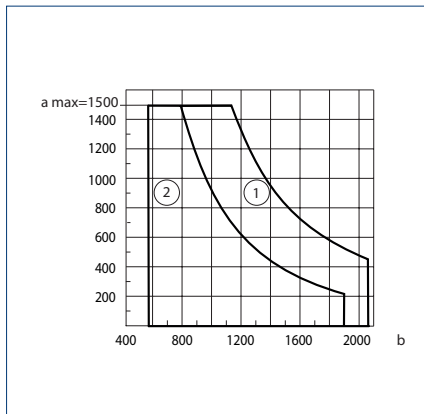


a = Leaf height | b = Leaf width

DETERMINATION OF THE MOTOR STROKE

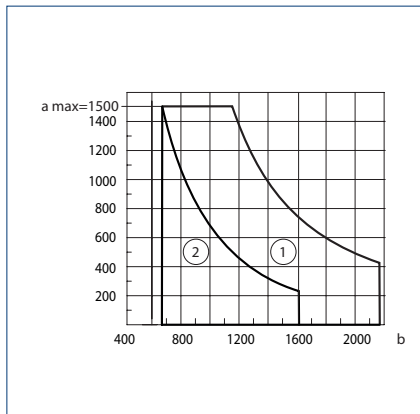
RWA 105 NT SOLO

Permissible leaf format stroke 100 mm



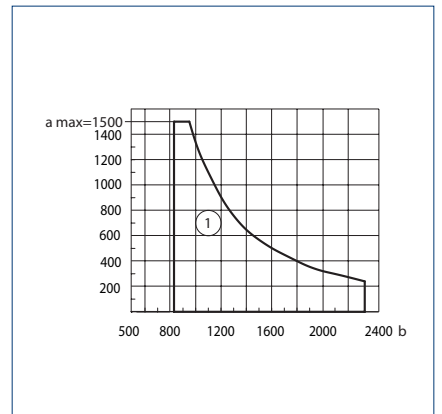
a max. = 1500 mm | b min. = 585 mm | b max. = 2075 mm | 1 = Side-hung window | 2 = Bottom-hung/top-hung window

Permissible leaf format stroke 150 mm



a max. = 1500 mm | b min. = 685 mm | b max. = 2175 mm | 1 = Side-hung window | 2 = Bottom-hung/top-hung window

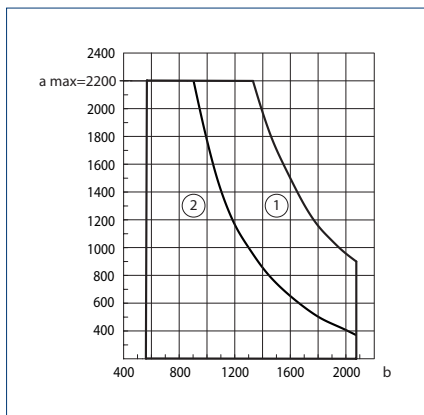
Permissible leaf format stroke 230 mm



a max. = 1500 mm | b min. = 845 mm | b max. = 2335 mm | 1 = Side-hung window | 2 = Bottom-hung/top-hung window

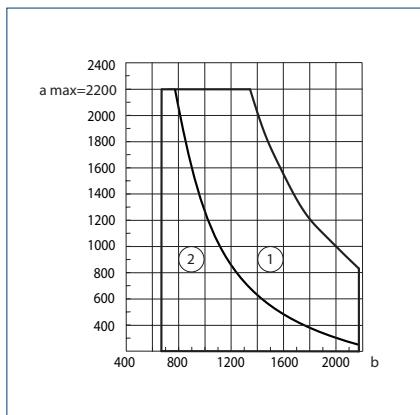
RWA 105 NT SYNCRO

Permissible leaf format stroke 100 mm



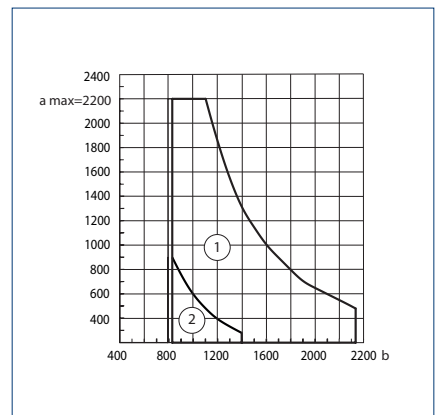
a max. = 2200 mm | b min. = 585 mm | b max. = 2075 mm | 1 = Side-hung window | 2 = Bottom-hung/top-hung window

Permissible leaf format stroke 150 mm



a max. = 2200 mm | b min. = 685 mm | b max. = 2175 mm | 1 = Side-hung window | 2 = Bottom-hung/top-hung window

Permissible leaf format stroke 230 mm



a max. = 2200 mm | b min. = 845 mm | b max. = 2335 mm | 1 = Side-hung window | 2 = Bottom-hung/top-hung window

ORDER INFORMATION

Designation	Length	Stroke	Version	ID no.
RWA 105 NT		100 mm	EV1	153230
		100 mm	white RAL 9016	153231
		100 mm	acc. to RAL	153232
		150 mm	EV1	153233
		150 mm	white RAL 9016	153234
		150 mm	acc. to RAL	153235
		230 mm	EV1	153236
		230 mm	white RAL 9016	153237
		230 mm	acc. to RAL	153238
RWA 105 NT - special version				153239
RWA 105 NT SYNCRO contains 2 E 250 NT drives		100 mm	EV1	153640
		100 mm	white RAL 9016	153661
		100 mm	acc. to RAL	153662
		150 mm	EV1	153663
		150 mm	white RAL 9016	153664
		150 mm	acc. to RAL	153665
		230 mm	EV1	153666
		230 mm	white RAL 9016	153667
	230 mm	acc. to RAL	153668	
RWA 105 NT SYNCRO - special version Can be configured: Stroke, cable length, colour; contains 2 E 250 NT drives				153669
Rod Ø 12 mm, without cover profile	2000 mm		galvanised	053198
	3000 mm		galvanised	053199
	6000 mm		galvanised	054116
Cover profile OL 320 length 2000 mm Mitre-cut at both ends			EV1	058771
			white RAL 9016	018293
			acc. to RAL	014258
Cover profile OL 320 length 3000 mm Mitre-cut at both ends			EV1	058774
			white RAL 9016	018294
			acc. to RAL	014259
Cover profile OL 320 length 6000 mm Straight-cut at both ends			EV1	058630
			white RAL 9016	018251
			acc. to RAL	013814
ACCESSORIES				
Rod guide				058653

RWA 110 NT



Opening and locking system for outward opening bottom-hung, top-hung and side-hung leaves

AREAS OF APPLICATION

- Opening and locking of outward-opening windows
- Natural ventilation, smoke and heat extraction system, natural smoke and heat exhaust ventilation device
- Can be used in the exhaust air and air intake
- Outward-opening windows with bottom-hung, top-hung and side-hung leaves
- Installation on wooden, PVC or metal windows

PRODUCT FEATURES

- System solution with E 250 NT spindle drive and a bracket set with locking mechanism
- Mechanical locking at the main closing edge by the spindle drive
- Large opening width with short spindle stroke in less than 60 seconds
- Synchro operation possible with two drives for wide window leaves
- IQ windowdrive – intelligent drive control
- Tested as natural smoke and heat exhaust ventilation device in accordance with EN 12101-2

TECHNICAL DATA

RWA 110 NT

GENERAL

Space needed (min.)	Leaf frame: min. 33 mm, cover frame: min. 45 mm
Permissible dimensions of main closing edge Solo for wooden and aluminium frames	430 - 1200 mm
Permissible dimensions of main closing edge Solo for PVC frames	430 - 800 mm
Permissible dimensions of main closing edge Syncro for wooden and aluminium frames	850 - 2400 mm
Permissible dimensions of main closing edge Syncro for PVC frames	850 - 1600 mm
Clear frame height for Solo and Syncro	600 - 1600 mm

SPECIFICATIONS

Possible stroke lengths	150 mm, 200 mm, 300 mm
Pulling force (max.)	750 N
Compressive force (max.)	750 N
Panel weight (max.) ¹⁾	30 kg/m ²

ELECTRICAL DATA

Operating voltage	24 V (+30% up to -20%)
Current consumption	Ventilation (24 V): 0.9 A; SHEV (18 V): 1.0 A
Power consumption (max.)	20 W
Residual ripple (max.)	30 %
Cable dimensions	4 x 0.75 mm ²
Temperature range	-5 - 75 °C
IP rating / protection class	IP65 / III

FUNCTIONS

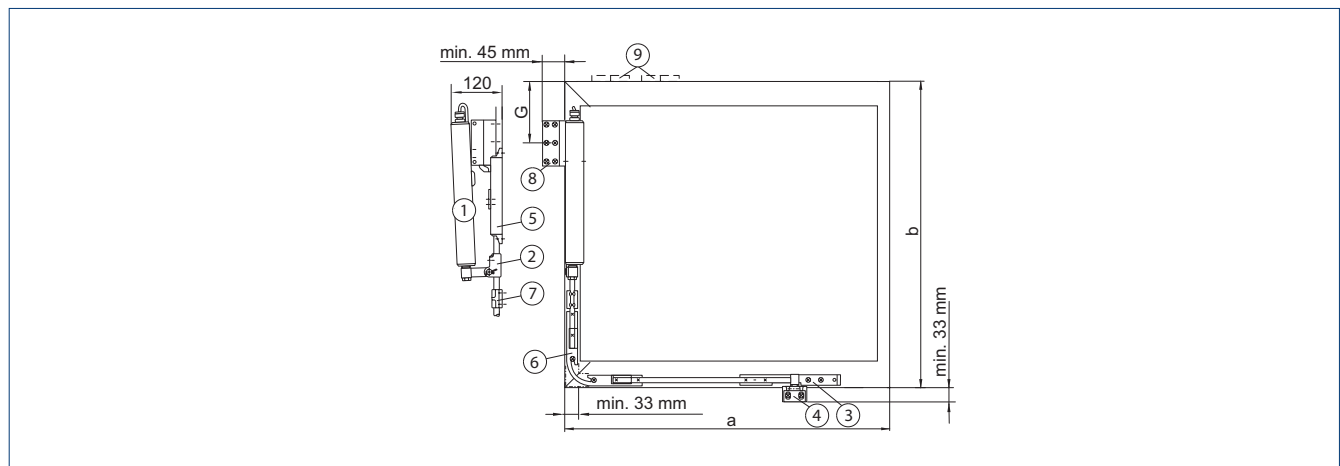
Syncro function	●
Locking mechanism and additional bracket	●
End position cut-off extended	Internal pathfinder
End position cut-off retracted	Internal pathfinder
Overload cut-off	●

TYPES OF INSTALLATION

Bottom-hung window	outward opening	Leaf
Side-hung window	outward opening	Leaf
Top-hung window	outward opening	Leaf

● = YES | 1 = Higher leaf weights possible depending on application and type of installation. Exact calculation with Wincalc necessary.

SYSTEM STRUCTURE



a = Clear frame width | b = Clear frame height | 1 = E 250 NT electric spindle drive | 2 = Rod transmission | 3 = Additional locking mechanism OL 320 | 4 = Additional bracket complete | 5 = Release spring | 6 = Corner transmission OL 320 | 7 = Rod guide OL 320 | 8 = Frame angle | 9 = 2 hinges on the drive side (to be provided on site)

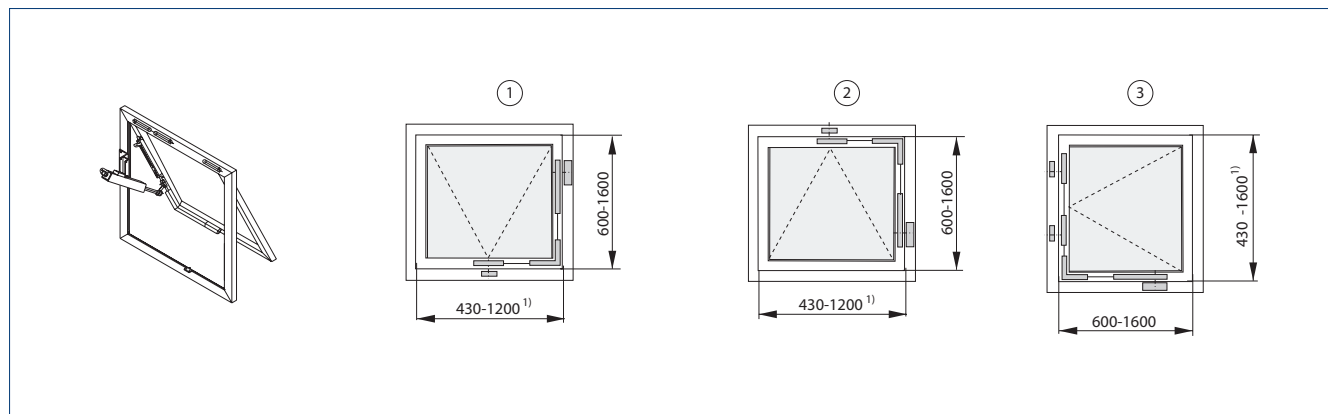
TYPES OF INSTALLATION

PROFILE-MOUNTED SYSTEM FOR VERTICALLY INSTALLED, OUTWARD OPENING BOTTOM-HUNG, TOP-HUNG AND SIDE-HUNG WINDOWS

The given dimensions are standard; please contact GEZE if you require other dimensions.

Details for wooden/aluminium windows

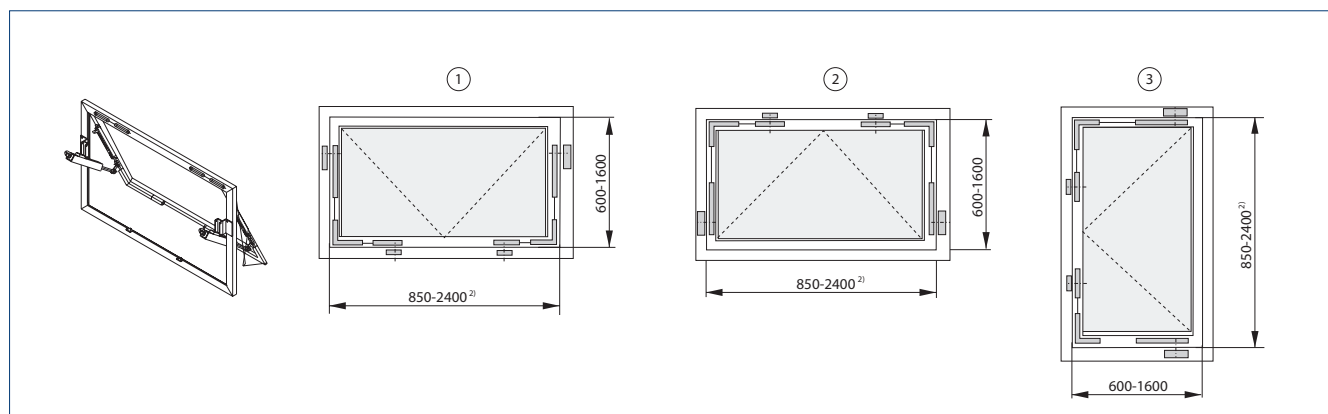
RWA 110 NT



All dimensions in mm

1 = Top-hung window | 2 = Bottom-hung window | 3 = Side-hung window | 1) = For Solo PVC window max. 800 mm

RWA 110 NT SYNCRO



All dimensions in mm

1 = Top-hung window | 2 = Bottom-hung window | 3 = Side-hung window | 2) = For Solo PVC window max. 1600 mm

DETERMINATION OF THE MOTOR STROKE

RWA 110 NT and RWA 110 NT Syncro: Dimensions

												Stroke
Leaf dimension (b) [mm]	600 - 650	650 - 700	700 - 750	750 - 800	800 - 850						150	
G dimension [mm]	70	80	100	125	150							
Opening angle [°]	approx. 46	approx. 44	approx. 42	approx. 39	approx. 37							
Opening width [mm]	approx. 510	approx. 530	approx. 540	approx. 540	approx. 540							
Leaf dimension (b) [mm]	650 - 700	700 - 750	750 - 800	800 - 850	850 - 900	900 - 950	950 - 1000				200	
G dimension [mm]	115	130	155	175	200	225	250					
Opening angle [°]	approx. 53	approx. 51	approx. 48	approx. 46	approx. 43	approx. 41	approx. 39					
Opening width [mm]	approx. 640	approx. 650	approx. 650	approx. 670	approx. 670	approx. 670	approx. 670					
Leaf dimension (b) [mm]	900 - 920	920 - 950	950 - 1000	1000 - 1050	1050 - 1100	1100 - 1200	1200 - 1300	1300 - 1400	1400 - 1500	1500 - 1600	300	
G dimension [mm]	260	280	310	330	360	420	500	580	630	700		
Opening angle [°]	approx. 56	approx. 54	approx. 51	approx. 49	approx. 47	approx. 43	approx. 39	approx. 35	approx. 33	approx. 31		
Opening width [mm]	approx. 880	approx. 870	approx. 870	approx. 880	approx. 880	approx. 860	approx. 860	approx. 830	approx. 840	approx. 840		

The values given for the opening angle and opening width are guideline values only and can vary depending on the type of installation and fitting dimensions G.

ORDER INFORMATION

Designation	Length	Stroke	Version	ID no.
RWA 110 NT		150 mm	EV1	153220
		150 mm	white RAL 9016	153221
		150 mm	acc. to RAL	153222
		200 mm	EV1	153223
		200 mm	white RAL 9016	153224
		200 mm	acc. to RAL	153225
		300 mm	EV1	153226
		300 mm	white RAL 9016	153227
		300 mm	acc. to RAL	153228
RWA 110 NT - special version				153229
Rod Ø 12 mm, without cover profile	2000 mm		galvanised	053198
	3000 mm		galvanised	053199
	6000 mm		galvanised	054116
Cover profile OL 320 length 2000 mm Mitre-cut at both ends			EV1	058771
			white RAL 9016	018293
			acc. to RAL	014258
Cover profile OL 320 length 3000 mm Mitre-cut at both ends			EV1	058774
			white RAL 9016	018294
			acc. to RAL	014259
Cover profile OL 320 length 6000 mm Straight-cut at both ends			EV1	058630
			white RAL 9016	018251
			acc. to RAL	013814
ACCESSORIES				
Additional bracket for overlap height 0 - 12 mm			EV1	050727
			white RAL 9016	015519
			acc. to RAL	013077
Corner transmission suitable for OL 320			galvanised	058648

Note: For RWA 110 NT Syncro, two RWA 110 NT in the respective stroke length must be ordered.

RWA 100 in combination with Power lock



Smoke and heat extraction system with locking drive for bottom-, top- and side-hung windows

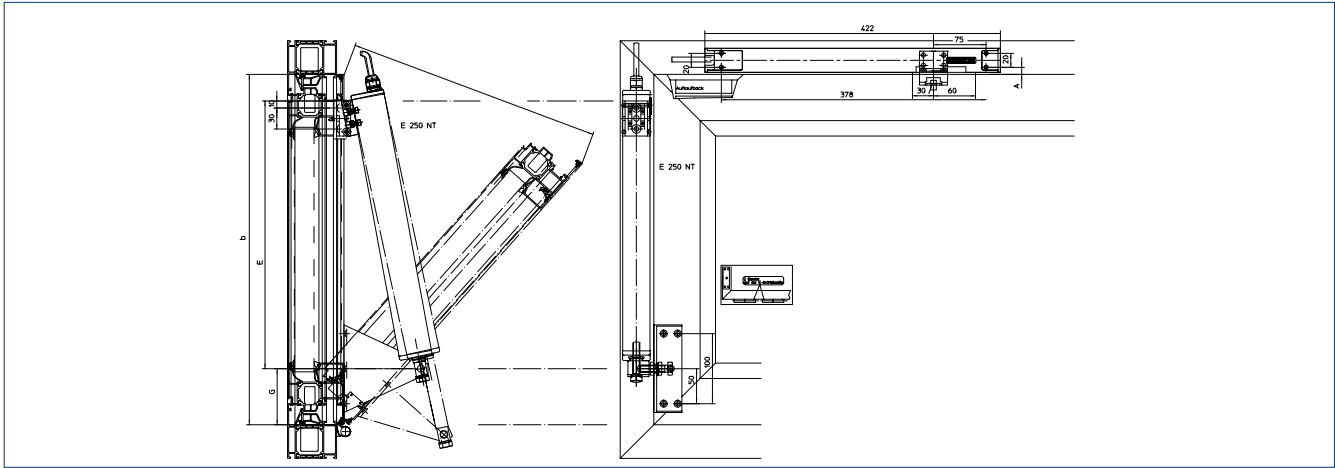
AREAS OF APPLICATION

- Opening and locking of inward-opening windows
- Bottom-hung, side-hung and top-hung leaves
- Natural ventilation, smoke and heat extraction system (SHEV)
- Synchronisation of 2 E 250 NT spindle drives on wide windows
- Up to 6 locking points
- Small minimum leaf heights enlarge the area of application

PRODUCT FEATURES

- System solution with a profile-mounted E 250 NT spindle drive and the Powerlock locking drive
- Large opening width with short spindle stroke in less than 60 s
- Synchro operation possible with two drives for wide window leaves
- IQ windowdrive – intelligent drive control
- Tested as natural smoke and heat exhaust ventilation device (SHEV) in accordance with EN 12101-2

SYSTEM STRUCTURE



DETERMINATION OF INSTALLATION DIMENSION, -OPENING ANGLE AND DRIVE STROKE

										Stroke
Leaf dimension (b) [mm]	500-620	550-750	600-800							100
G-dimension [mm]	80	130	180							
Opening angle [°]	approx. 42°	approx. 34°	approx. 30°							
Leaf dimension (b) [mm]	650-800	700-920	750-1000	800-1000						150
G-dimension [mm]	180	230	280	330						
Opening angle [°]	approx. 43°	approx. 38°	approx. 34°	approx. 30°						
Opening width [mm]	433	433	433	433						
Leaf dimension (b) [mm]	800-1000	850-1100	900-1200	950-1300						200
G-dimension [mm]	280	330	380	430						
Opening angle [°]	approx. 44°	approx. 39°	approx. 36°	approx. 33°						
Opening width [mm]	484	484	484	484						
Leaf dimension (b) [mm]	1000-1100	1050-1150	1100-1250	1150-1350	1200-1450	1250-1550	1300-1600	1350-1700		300
G-dimension [mm]	380	430	480	530	580	630	680	730		
Opening angle [°]	approx. 51°	approx. 47°	approx. 43°	approx. 40°	approx. 38°	approx. 35°	approx. 33°	approx. 32°		
Opening width [mm]	586	586	586	586	586	586	586	586		

See installation diagram EP 41521-EP-011 for more details

ORDER INFORMATION

Designation	Stroke in mm	Version	ID no.
E 250 NT	100	EV1	146499
	100	white RAL 9016	146500
	100	acc. to RAL	146651
	150	EV1	146652
	150	white RAL 9016	146653
	150	acc. to RAL	146654
	200	EV1	146655
	200	white RAL 9016	146656
	200	acc. to RAL	146657
	230	EV1	146658
	230	white RAL 9016	146659
	230	acc. to RAL	146660
	300	EV1	146661
	300	white RAL 9016	146662
	300	acc. to RAL	146663
Tilting bracket For attaching RWA 100 NT and RWA 100 NT with Power lock		EV1	019144
		white RAL 9016	019148
Toe angle bracket For attaching RWA 100 NT and RWA 100 NT with Power lock		EV1	012812
		white RAL 9016	018561
RWA 100 NT accessories		acc. to RAL	155226
Power lock max. locking stroke 22 mm		EV1	147020
		white RAL 9016	147021
Power lock - Special version Can be configured: Cable length, colour	22	acc. to RAL	147022
Frame installation set		EV1	147026
		white RAL 9016	150508
		EV1	150507
		white RAL 9016	150506
Frame installation set - Special version Can be configured: Colour, driver = 8.5 mm/11.5 mm		acc. to RAL	150010





SWING DOOR / WINDOW

Fresh air systems

When a building catches fire, air intakes provide the necessary "air flow power". This way fire smoke can escape. Here, the coordinated interaction of fresh air and exhaust air solutions is crucial. Openings in the lower part of the building are equipped with fresh air drives, allowing fresh air to enter. It amplifies the thermal chimney effect, so that flue gases can escape through the exhaust vents at the top of the building. GEZE offers complete smoke and heat extraction solutions.



RWA TÖ



SHEV fresh air door with inversely mounted door closer

AREAS OF APPLICATION

- Rarely used doors and side entrances
- Standard doors can be used for smoke and heat extraction system fresh air
- Escape and rescue routes through combination with GEZE emergency exit systems

PRODUCT FEATURES

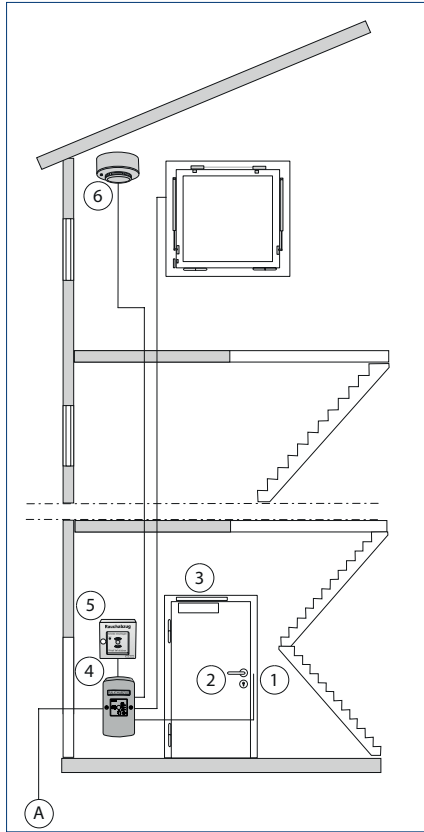
- Cost-effective and easy to implement solution
- Limited access to the door during normal operation

SYSTEM DESCRIPTION

The RWA TÖ system combines a door closer with a smoke and heat extraction system control unit and the corresponding accessories. This system provides the option of using a door as a smoke and heat extraction fresh air opening and therefore of creating a large fresh air inlet area relatively quickly. Released by the smoke and heat extraction control panel, the door is opened by the force of the inversely mounted door closer for when smoke and heat extraction is needed.

In rooms without windows or rooms in which – when smoke and heat extraction is needed – the windows are too small, or simply have ventilation flaps, the door can serve as a smoke extraction opening in conjunction with the RWA TÖ system. This solution can also be used as an escape door in combination with the GEZE emergency exit system.

SYSTEM STRUCTURE



A = Mains connection

The following components are necessary for this system:

In the lock area

1 = An electric strike model IQ eStrike A5000--E

2 = Door lock and door handle (are not directly part of the smoke and heat extraction system and must be supplied by the door manufacturer)

On the door lintel

3 = A TS 4000 or TS 5000 door closer in special installation

In the area of the door or in an ancillary room

4 = A THZ N4 smoke and heat extraction control panel, THZ Comfort N4, MBZ 300

In the staircase

5 = FT4 A SHEV button for activation of the alarm (number and layout depending on specifications from the building authorities)

6 = One or more smoke detector(s) and/or heat detector(s) (ceiling mounting) for automatic release when smoke and heat extraction is needed

FUNCTIONAL DESCRIPTION

Opening the door/alarm

In the event of an alarm, the smoke and heat extraction control panel activates the electric strike. The inversely mounted door closer under spring tension opens the door. The door can be opened with the door handle without activating the smoke and heat extraction systems.

The door opening angle is limited to approx. 90° (otherwise damage to closer is possible).

Manual closing of the door/alarm reset

The alarm is reset via the reset switch of the smoke and heat extraction push button FT4 or, if released via a smoke and heat detector, by resetting the detector. The door must then be closed manually against the pressure of the inversely mounted door closer.

Activation and supply via the smoke and heat extraction control panel

The function is the same as with the standard smoke and heat extraction with electric drive, i.e. connection via the necessary motor group. Taking the overall current into account, IQ eStrike electric strikes are supplied with 24 V and activated via the smoke and heat extraction control panel. In the event of an alarm (window OPEN), the IQ eStrike 5000--E electric strike is active (fail-secure principle).

The alarm of the electric strike is triggered via the SHEV supply unit.

RWA TÖ 'OPEN' on a 2-leaf door

The functional possibilities of the 2-leaf variant are the same as those in the cases described above. The passive leaf must open later to ensure that both leaves of a 2-leaf door are not opened at the same time, causing them to get caught. This can be achieved by a timer relay or the GEZE activation delay block LEV, upstream of the electric strike.

Combination with the GEZE emergency exit system

The functionality is similar to that of the standard version. An inverse door closer (with pre-tensioned spring) and an electric hold-open magnet (MA 500 with reed contact) are mounted on the door. The hold-open magnet is continuously supplied with current and keeps the door closed against the spring force of the door closer (fail-safe principle). The hold-open magnet is activated and supplied via an emergency exit system door control unit. In a panic case, the door control unit is released directly by pressing the emergency push button. The door control unit is connected to a smoke and heat extraction control panel (relay alarm) via a potential-free opener contact. In the event of a fire, an alarm is triggered and the magnet is released. The door is then opened by the spring force of the door closer.

In this system, a key switch can also be used to unlock the central door control unit and pass the door. After the door has been passed it must be re-closed manually, against the spring force of the door closer.

→ **Note:** You can find further information about the emergency exit system function and the door control units in our product brochures on our website.

ORDER INFORMATION

Designation	Version	ID no.
TS 4000 door closer Closing force EN 5 - 7 with back check (without link arm)	silver-coloured	102837
Link arms TS 4000/2000 Standard	acc. to RAL	102425
TS 5000 door closer Closing force EN 2 - 6, with back check (without guide rail and lever)		160320
Guide rail TS 5000/TS 3000 Standard, with lever	silver-coloured	068221
ACCESSORIES		
GEZE door stop buffer for floor mounting	EV1	012921
THZ N4 - compact staircase control panel with 4.5 A in one vent group and alarm group	white RAL 9016	190775
Diode 1N4007		115293
IQ eStrike A5000--E		145182

Components



THZ N4 (190775)



Diode 1N4007 (115293)



IQ eStrike A5000--E (145182)

RWA K 600 G



Retractable arm drive for installation on windows and doors
with fixed connection by means of guide rail

AREAS OF APPLICATION

- Smoke and heat extraction and natural ventilation (24 V)
- Inward and outward-opening windows with bottom-hung, top-hung and side-hung leaves
- Installation on wooden, PVC or metal windows
- Leaf and frame installation
- Can be installed on the door

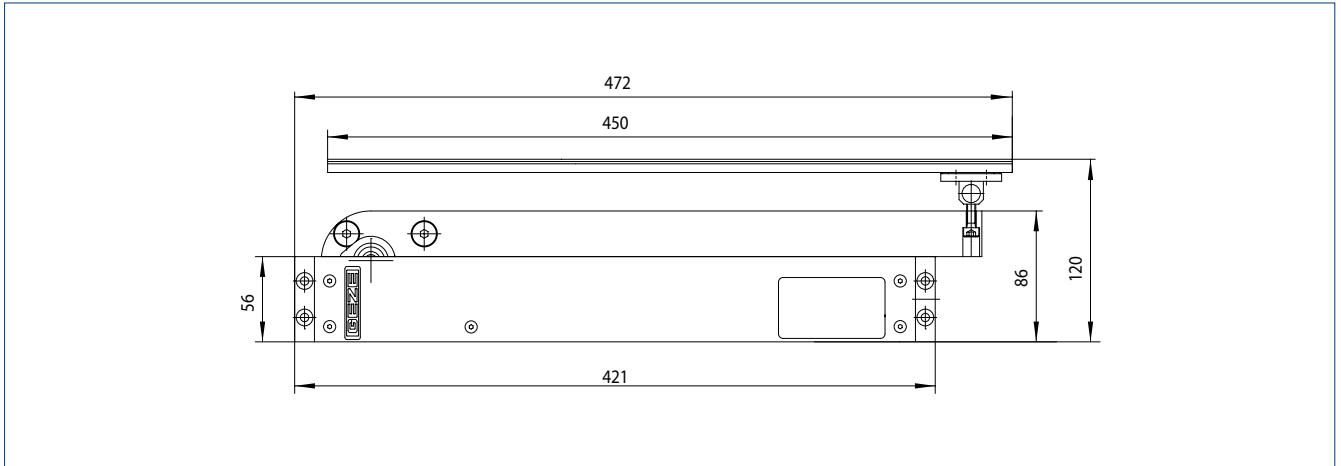
PRODUCT FEATURES

- 90° window opening in less than 60 seconds
- Powerful drive with high torque
- Connector cable easily exchangeable by means of plug
- Integrated status contact for feedback signals
- Integrated Syncro module that can operate max. two drives without external control unit
- Tested in natural smoke and heat exhaust ventilation devices in accordance with EN 12101-2

TECHNICAL DATA

K 600 G	
Dimensions	40 x 120 x 472 mm
Current consumption (max.)	1.4 A
Torque	215 Nm
Pulling force (max.)	600 N
Compressive force (max.)	600 N

PRODUCT SCALE DRAWING



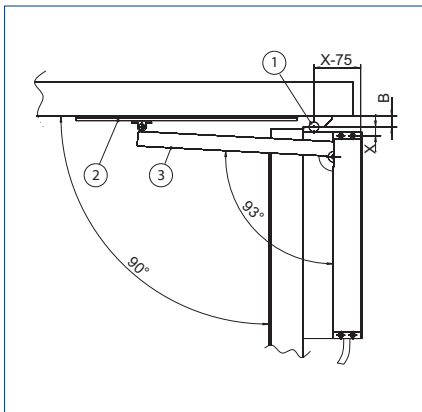
TYPE OF INSTALLATION:

	Window hinge side	Opposite hinge side	Door hinge side	Opposite hinge side
Leaf weight (max.)	on request ³⁾		120 kg ²⁾	
Leaf width (max.) ¹⁾ main closing edge	800 mm Solo, 1200 mm Syncro		1400 mm ²⁾	
Leaf width (min.) main closing edge	-		470 mm	565 mm
Leaf height (max.) ²⁾ NSK	2x + 880 mm		-	
Leaf height (min.) NSK	x + 465 mm		-	
Space needed (min.) on the frame	45 mm		45 mm	
Space needed (min.) on the leaf	-	45 mm	-	45 mm

- = No | 1 = A locking mechanism is necessary for larger leaf widths | 2 = Higher values available on request | 3 = Depending on window type and opening angle

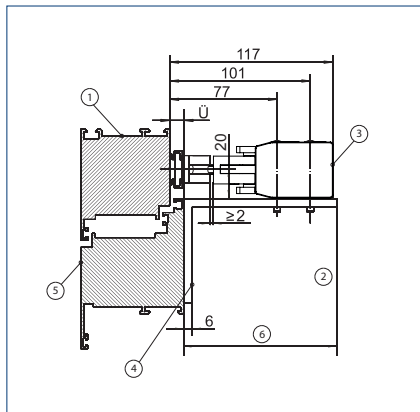
HINGE-SIDE INSTALLATION ON THE DOOR – FITTING DIMENSIONS

Top or plan view



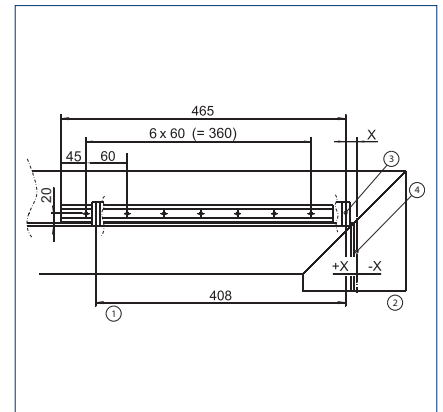
B = Hinge centre spacing | X = Distance of door hinge to the drive attachment | 1 = Door hinge | 2 = Guide rail | 3 = Retractable arm

Head point detail



Ü = Door overlap of the leaf beyond the frame (Ü ≤ 20 mm) | 1 = Door frame | 2 = On site | 3 = Drive | 4 = Mounting bracket | 5 = Door leaf | 6 = On site (depending on Ü)

Guide rail installation



X = Distance between the door hinge and drive attachment | 1 = Bracket for articulated lever | 2 = Door hinge | 3 = Drive attachment | 4 = Hinge axis

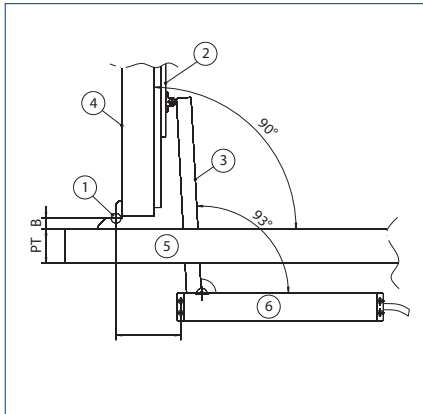
DETERMINING THE X DIMENSION WITH $\alpha = 90^\circ$, EXAMPLES:

Hinge clearance B	Distance between the door hinge and the drive attachment (X dimension) with $\alpha = 90^\circ$
13	30
22	20
36	5

Different opening angles / hinge centre spacings available on request

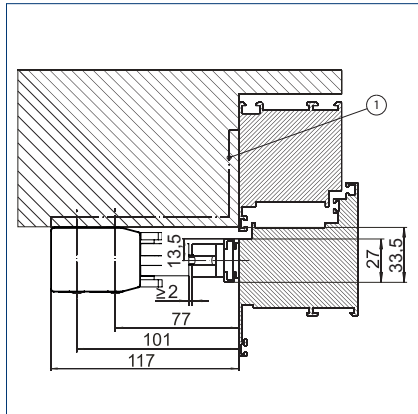
OPPOSITE HINGE-SIDE INSTALLATION ON THE DOOR – FITTING DIMENSIONS

Top or plan view



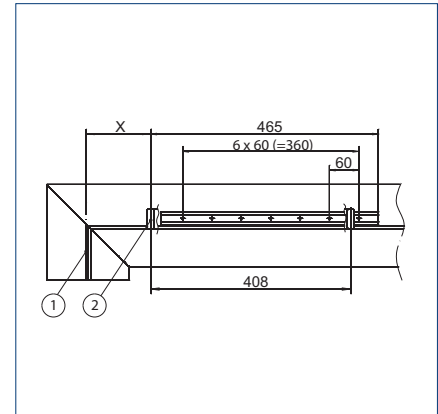
B = Hinge centre spacing | PT = Profile overall depth cover frame | 1 = Door hinge | 2 = Guide rail | 3 = Retractable lever | 4 = Door leaf | 5 = Door frame | 6 = Drive

Head point detail



1 = Drive attachment in lintel already available on site or with bracket G

Guide rail installation



X = Distance between the door hinge to the drive attachment | 1 = Hinge axis | 2 = Drive attachment

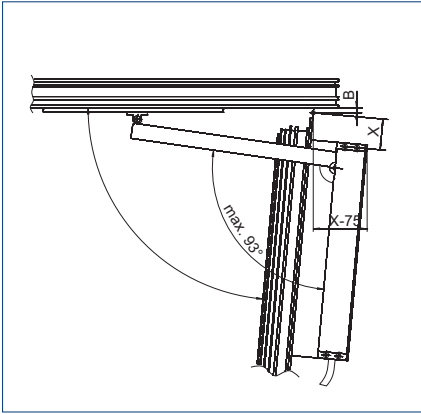
DETERMINATION OF THE X DIMENSION AT $\alpha = 90^\circ$ (DEPENDING ON B AND PT)

Hinge centre spacing B	Profile overall depth cover frame PT	Distance between the door hinge and the drive attachment (X dimension) with $\alpha = 90^\circ$
22	40	100
22	50	110
22	60	120
22	65	125
22	70	130
22	75	135
22	80	140
36	40	115
36	50	125
36	60	135
36	65	140
36	70	145
36	75	150
36	80	155

Different opening angles / hinge centre spacings available on request

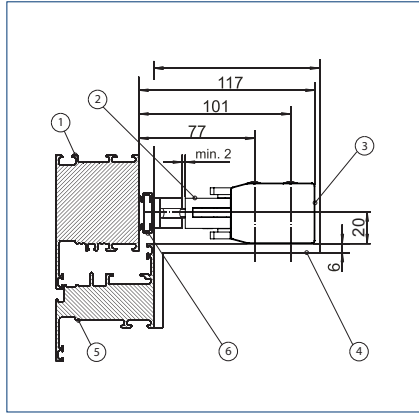
HINGE-SIDE INSTALLATION ON WINDOW – FITTING DIMENSIONS

Top or plan view



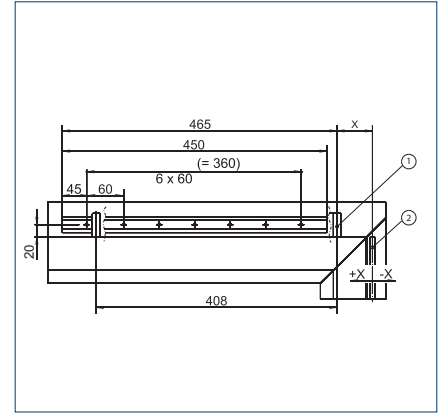
B = Hinge centre spacing | X = Distance between the window sill and the drive attachment

Head point detail



1 = Frame | 2 = Retractable arm | 3 = Drive | 4 = Mounting bracket | 5 = Leaf | 6 = Guide rail

Guide rail installation



X = Distance of the window sill to the drive attachment | 1 = Drive attachment | 2 = Hinge axis

WINDOW-OPENING ANGLE $\alpha = 90^\circ$ (DEPENDING ON B AND X)

Distance between the door hinge and the drive attachment X	Hinge centre spacing B	Opening angle α
30	10	90°
60	10	85°
90	10	80°
120	10	75°
150	10	71°
190	10	65°
230	10	60°

Different opening angles / hinge centre spacings available on request.

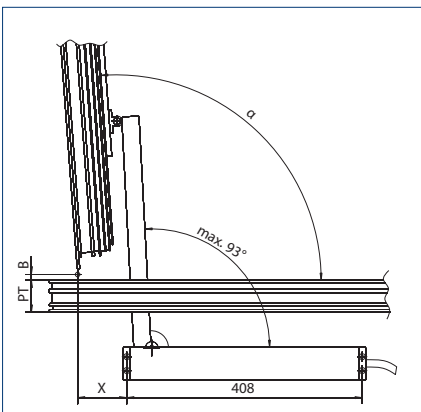
EXAMPLES OF RWA K 600 HINGE SIDE FOR INWARD OPENING BOTTOM-HUNG AND TOP-HUNG

Leaf dimensions		Panel weight		Number of drives
Secondary closing edge	Main closing edge	30 kg/m ²	40 kg/m ²	
800	800	x = 30 mm / $\alpha = 90^\circ$	x = 30 mm / $\alpha = 90^\circ$	Solo
800	1200	x = 30 mm / $\alpha = 90^\circ$	x = 30 mm / $\alpha = 90^\circ$	Syncro
1200	1200	x = 160 mm / $\alpha = 70^\circ$	x = 160 mm / $\alpha = 70^\circ$	Syncro

NSK = Secondary closing edge | HSK = Main closing edge

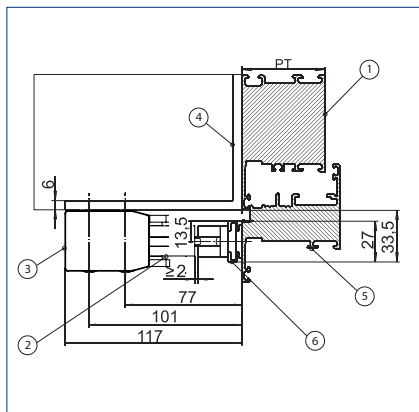
OPPOSITE HINGE-SIDE INSTALLATION ON WINDOW – FITTING DIMENSIONS

Top or plan view



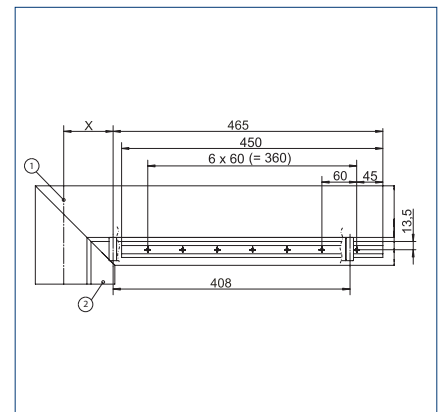
α = Opening angle | B = Hinge axis | PT = Profile overall depth frame cover | X = Distance between the window sill and the drive attachment

Head point detail



PT = Profile overall depth cover frame | 1 = Frame | 2 = Retractable arm | 3 = Drive | 4 = Mounting bracket | 5 = Leaf | 6 = Guide rail

Guide rail installation



X = Distance of the window sill to the drive attachment | 1 = Hinge axis | 2 = Drive attachment

WINDOW-OPENING ANGLE α (DEPENDING ON X, B AND PT)

Distance between the window sill and the drive attachment X Profile overall depth cover frame PT			Opening angle α
Hinge centre spacing $B \leq 10$ mm	85	65	96°
	95	65	94°
	105	65	92°
	115	65	90°
	125	65	88°
	135	65	85°
	145	65	83°
	85	75	98°
	95	75	96°
	105	75	94°
	115	75	92°
	125	75	90°
	135	75	88°
	145	75	85°

WINDOW-OPENING ANGLE α (DEPENDING ON X, B AND PT)

Distance between the window sill and the drive attachment X Profile overall depth cover frame PT			Opening angle α
10 mm \leq hinge centre spacing $B \geq 22$ mm	85	65	99°
	95	65	97°
	105	65	95°
	115	65	93°
	125	65	90°
	135	65	88°
	145	65	86°
	85	75	101°
	95	75	99°
	105	75	97°
	115	75	95°
	125	75	93°
	135	75	90°
	145	75	88°

EXAMPLES OF RWA K 600 G OPPOSITE HINGE SIDE FOR OUTWARD OPENING BOTTOM-HUNG AND TOP-HUNG WINDOWS

Leaf dimensions		Panel weight		Number Drives
Secondary closing edge	Main closing edge	30 kg/m ²	40 kg/m ²	
800	800	x = 115 mm $\alpha = 90^\circ$	x = 115 mm $\alpha = 90^\circ$	Solo
800	1200	x = 115 mm $\alpha = 90^\circ$	x = 115 mm $\alpha = 90^\circ$	Syncro
1200	1200	x = 160 mm $\alpha = 80^\circ$	x = 160 mm $\alpha = 80^\circ$	Syncro

Profile overall depth (PT) cover frame = 65 mm | Hinge centre spacing (B) = 10 mm | NSK = Secondary closing edge | HSK = Main closing edge

ORDER INFORMATION

Designation	Version	ID no.
RWA K 600 G	EV1	130057
RWA K 600 G - SYNCRO	EV1	133119
RWA K 600 G 2-leaf with closing sequence	EV1	137447
RWA K 600 G 2-leaf with closing sequence - special version Can be configured: Passive/active leaf, start-up delay, cable length, status contact, colour		137448
RWA K 600 G - special version Can be configured: Version master/slave, status contact, cable length, colour, opening angle, free programming	acc. to RAL	130058

ACCESSORIES

Bracket G for RWA K 600	EV1	130155
	acc. to RAL	140507

Bracket



Bracket G for RWA K 600
(130155)

RWA K 600 T



Retractable arm drive for fresh air systems for installation on doors

AREAS OF APPLICATION

- Use in the air intake system where a large opening angle is required
- Single and double leaf SHEV fresh air supplies
- Installation on the hinge side or opposite hinge side

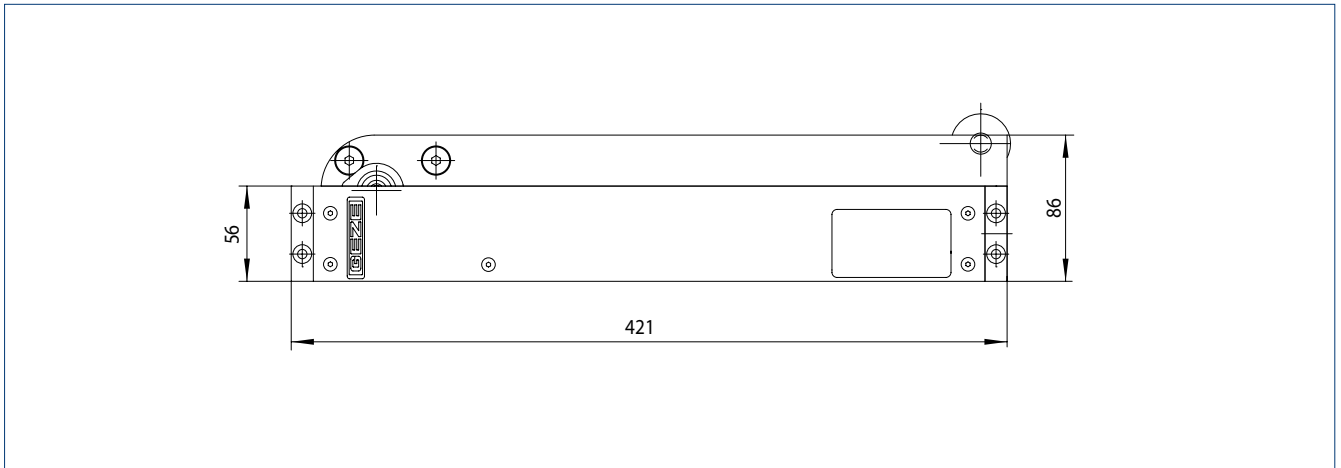
PRODUCT FEATURES

- 90° door opening in less than 60 seconds
- Powerful drive with high torque
- Connector cable easily exchangeable by means of plug
- Integrated status contact for electric strike control unit or feedback signals
- Door remains freely accessible due to the freely surface-mounted activation of the lever by means of a pressure roller

TECHNICAL DATA

	K 600 T
Dimensions (L x W x H):	421 x 40 x 56 mm
Current consumption (max.)	1.4 A
Torque	215 Nm
Pulling force (max.)	600 N
Compressive force (max.)	600 N

PRODUCT SCALE DRAWING



TYPES OF INSTALLATION

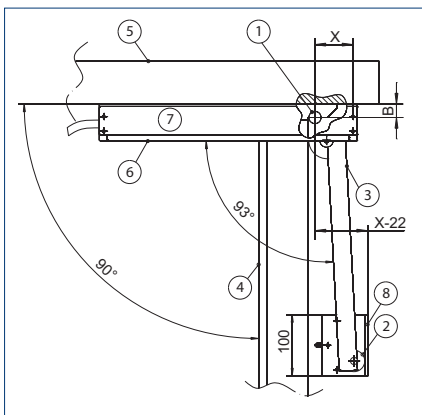
	Door hinge side	Door opposite hinge side
Leaf weight (max.)	120 kg ¹⁾	120 kg ¹⁾
Leaf width (max.)	1400 mm ¹⁾	1400 mm ¹⁾
Leaf width (min.)	470 + x mm	470 + x mm
Brackets	Bracket R, bracket T	Bracket G
Space needed on the frame (min.)	at the side 45 mm	-
Space needed on the leaf (min.)	50 mm	40 mm

- = no | ¹⁾ Higher values available on request

→ **Note:** When a door closer is used, the closing speed of the door closer must be limited to 5 seconds or slower.

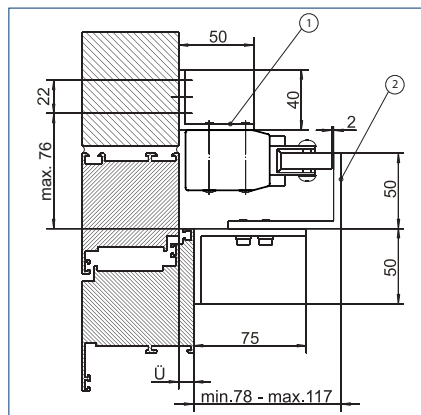
HINGE-SIDE INSTALLATION ON THE DOOR – FITTING DIMENSIONS

Top or plan view



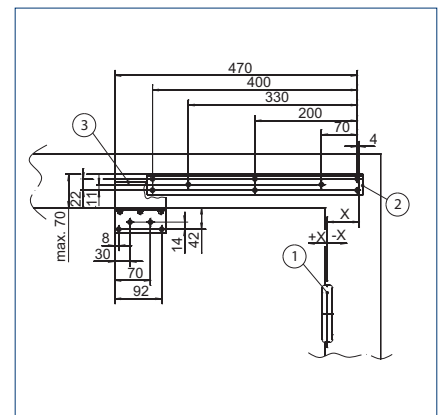
X = Distance between the door hinge and the drive attachment | 1 = Door hinge | 2 = Roller fitting | 3 = Retractable arm | 4 = Door leaf | 5 = Door frame | 6 = Drive | 7 = Bracket R | 8 = Bracket T

Head point detail



U = Door overlap of the leaf beyond the frame | 1 = Bracket R | 2 = Bracket T

Installation consoles



1 = Door hinge | 2 = Bracket R | 3 = Bracket T

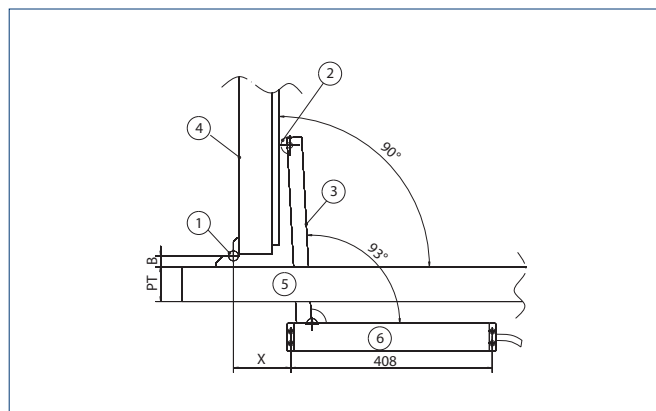
DETERMINING THE X DIMENSION WITH AN-OPENING ANGLE $\alpha = 90^\circ$

Hinge centre spacing B	Distance between the door hinge and the drive attachment (X dimension) with $\alpha = 90^\circ$	
	Door overlap of the leaf beyond the frame $\dot{U} = 0$ mm	Door overlap of the leaf beyond the frame $\dot{U} = 10$ mm
13	-60	-70
22	-55	-60
36	-45	-45

Different opening angles / hinge centre spacings available on request

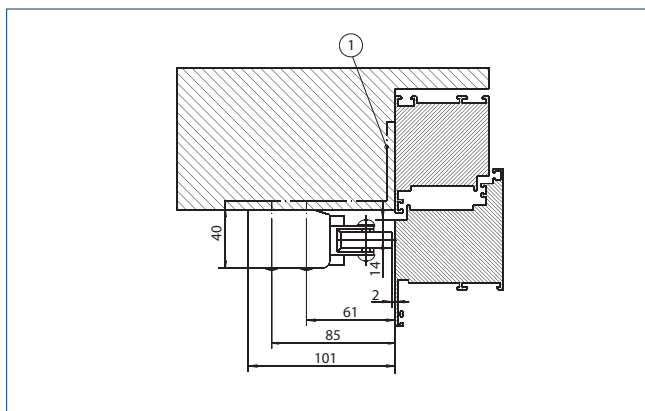
OPPOSITE HINGE-SIDE INSTALLATION ON THE DOOR – FITTING DIMENSIONS

Top or plan view



B = Hinge centre spacing | PT = Profile overall depth cover panel | 1 = Door hinge | 2 = Roller fitting | 3 = Retractable arm | 4 = Door leaf | 5 = Door frame | 6 = Drive

Head point detail



1 = Drive attachment in lintel already available on site or with bracket G

DETERMINATION OF THE X DIMENSION AT $\alpha = 90^\circ$ (DEPENDING ON B AND PT)

Hinge centre spacing B	Profile overall depth cover frame PT	Distance between the door hinge and the drive attachment (X dimension) with $\alpha = 90^\circ$
22	40	80
22	50	90
22	60	100
22	65	105
22	70	110
22	75	115
22	80	120
36	40	95
36	50	105
36	60	115
36	65	120
36	70	125
36	75	130
36	80	135

Different opening angles / hinge centre spacings available on request.

ORDER INFORMATION

Designation	Version	ID no.
RWA K 600 T	EV1	130059
RWA K 600 T - SYNCRO	EV1	133120
RWA K 600 T 2-leaf with door closing sequence selector	EV1	137449
RWA K 600 T 2-leaf with closing sequence - special version Can be configured: Passive/active leaf, start-up delay, cable length, status contact, colour		137450
RWA K 600 T - special version Can be configured: Version master/slave, status contact, cable length, colour, opening angle, free programming	acc. to RAL	130060
ACCESSORIES		
Bracket T for RWA K 600	EV1 acc. to RAL	130153 140505

Bracket



Bracket T for RWA K 600
(130153)

Photo: GEZE GmbH, Jürgen Pollak



RWA K 600 F



Retractable arm drive for installation on windows

AREAS OF APPLICATION

- Smoke and heat extraction and natural ventilation (24 V)
- Inward-opening windows with bottom-hung, top-hung and side-hung leaves
- Installation on wooden, PVC or metal windows
- Frame installation

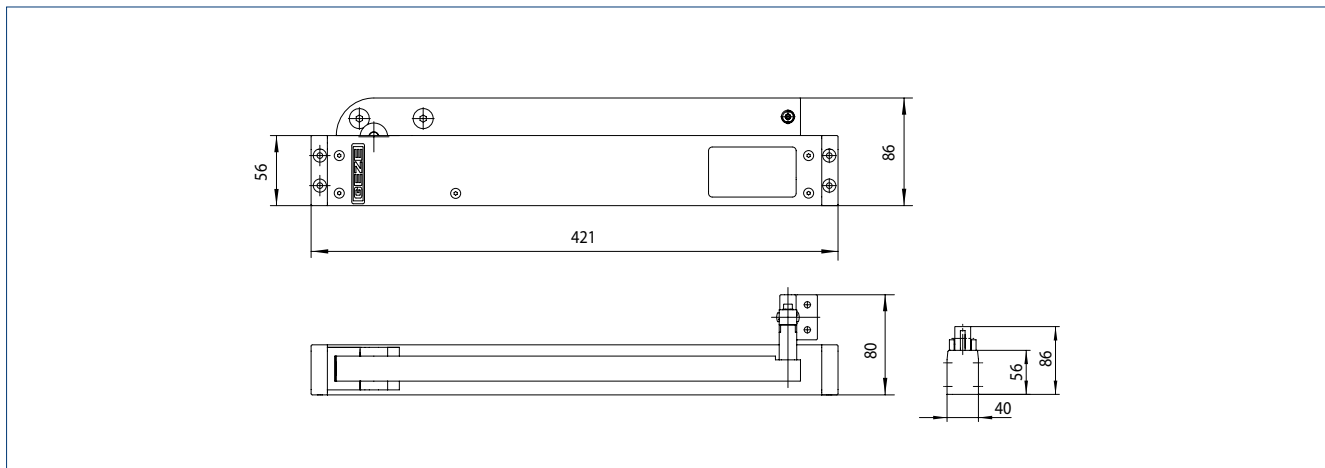
PRODUCT FEATURES

- 90° window opening in less than 60 seconds
- Powerful drive with high torque
- Connector cable easily exchangeable by means of plug
- Integrated status contact for feedback signals
- Integrated Syncro module that can operate max. two drives without external control unit
- Tested in natural smoke and heat exhaust ventilation devices in accordance with EN 12101-2

TECHNICAL DATA

	K 600 F
Dimensions (L x W x H):	421 x 40 x 86 mm
Current consumption (max.)	1.4 A
Torque	215 Nm
Pulling force (max.)	600 N
Compressive force (max.)	600 N

PRODUCT SCALE DRAWING



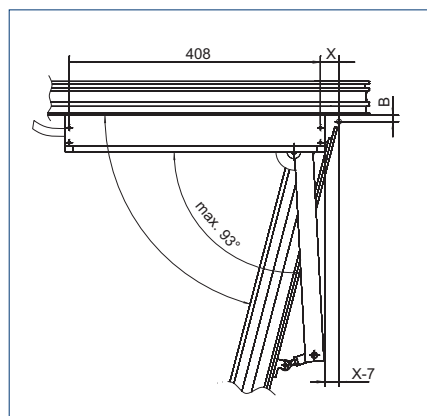
TYPES OF INSTALLATION

	Window hinge side
Leaf weight (max.)	on request ³⁾
Leaf width (max.) ¹⁾ main closing edge	800 mm Solo, 1200 mm Syncro
Leaf width (min.) main closing edge	–
Leaf height (max.) ²⁾ NSK	2x + 750 mm
Leaf height (min.) NSK	x + 420 mm
Brackets	Bracket R, bracket for articulated lever
Space needed (min.) on the frame	top 45 mm, side 55 mm
Space needed (min.) on the leaf	depends on the hinge centre spacing

– = no | ¹⁾ A locking mechanism is necessary for larger leaf widths. | ²⁾ Higher values available on request | ³⁾ Depending on window type and opening angle

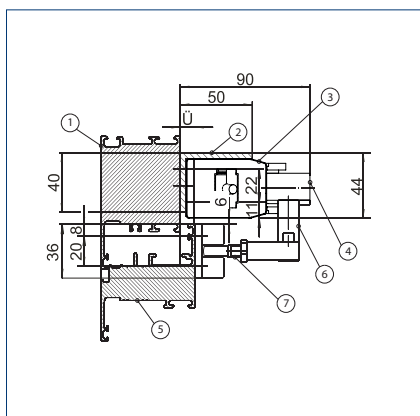
HINGE-SIDE INSTALLATION ON WINDOW – FITTING DIMENSIONS

Top or plan view



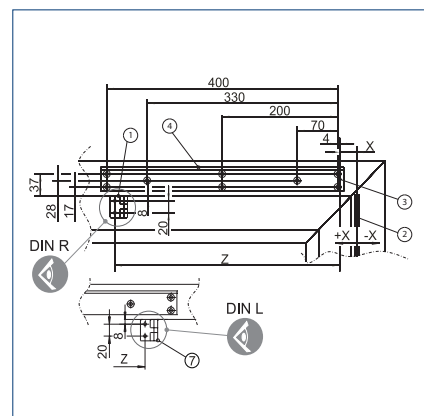
B = Hinge centre spacing | X = Distance between the window sill and the drive attachment

Head point detail



Ü = Door overlap of the leaf beyond the frame |
 1 = Frame | 2 = Bracket R | 3 = Drive |
 4 = Retractable arm | 5 = Leaf | 6 = Articulated lever |
 7 = Setting dependent on dimension of overlap

Installation of bracket R / for articulated lever



X = Distance of the window hinge to the drive attachment | Z = Distance of the drive attachment to the bracket | 1 = Bracket for drive lever | 2 = Window sill | 3 = Drive attachment | 4 = Bracket R

WINDOW-OPENING ANGLE α (DEPENDENT ON B AND X)

Hinge centre spacing B = 10 ± 2	Distance between the window sill and the drive attachment X		Z
	-35	-30	
	84	83	410
	83	82	410
	82	81	410
	81	81	390
	81	79	390
	79	77	390
	77	76	370
	76	75	370
	75		370

Different opening angles / hinge centre spacings available on request

EXAMPLES OF RWA K 600 F HINGE SIDE FOR INWARD OPENING BOTTOM-HUNG AND TOP-HUNG WINDOWS

Leaf dimensions		Panel weight		Number of drives
Secondary closing edge	Main closing edge	30 kg/m ²	40 kg/m ²	
800	800	x = -30 mm α = 83°	x = -30 mm α = 83°	Solo
800	1200	x = -25 mm α = 75°	x = -25 mm α = 75°	Syncro

Door overlap (Ü) of the leaf beyond the frame = 10 mm | Hinge centre spacing (B) = 10 mm | NSK = Secondary closing edge | HSK = Main closing edge

ORDER INFORMATION

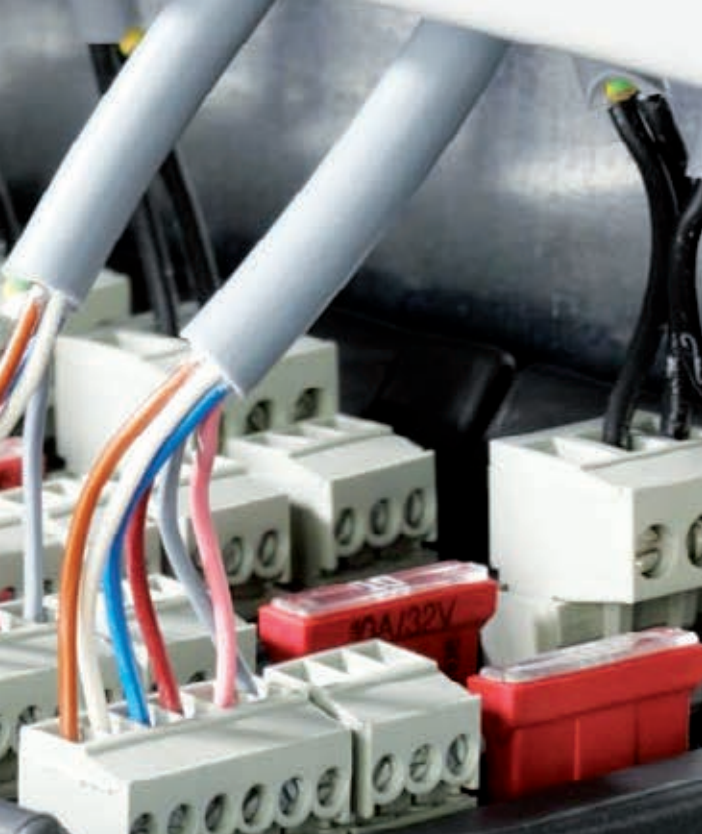
Designation	Version	ID no.
RWA K 600 F	EV1	130151
RWA K 600 F - SYNCRO	EV1	133221
RWA K 600 F 2-leaf with door closing sequence selector	EV1	137451
RWA K 600 F 2-leaf with door closing sequence selector - special version Can be configured: Passive/active leaf, start-up delay, cable length, status contact, colour		137452
RWA K 600 F - special version Can be configured: Version master/slave, status contact, cable length, colour, opening angle, free programming	acc. to RAL	130152
ACCESSORIES		
Bracket R for RWA K 600	acc. to RAL	140507
	EV1	130154
	acc. to RAL	140506

Bracket



Bracket R for RWA K 600
(130154)





WINDOWS

Smoke and heat extraction control panel

Supply units are the brain and the power supply of the smoke and heat extraction system in your building. They coordinate all SHEV system components for safe smoke and heat extraction in case of fire. The emergency power supply are the control unit for all fresh air and exhaust air openings equipped with SHEV drives or door closers. They record the signals from the SHEV buttons and the automatic triggers, e.g. the smoke detectors, control the smoke and heat extraction and monitor the components for faults.



MBZ 300



Smoke and heat extraction control panel for SHEV drives
with a total power consumption of 8 A to 72 A

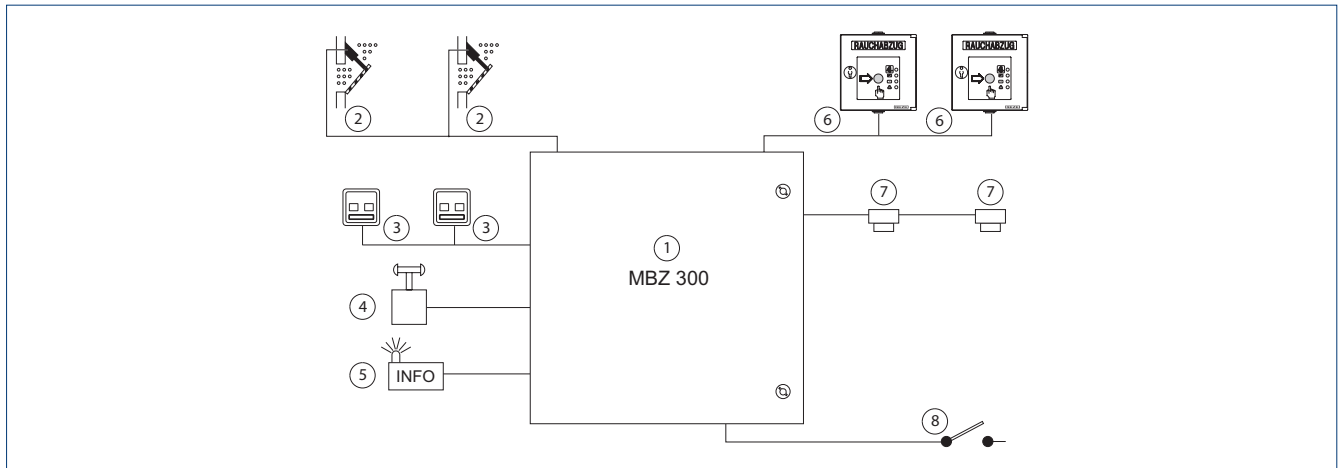
AREAS OF APPLICATION

- Small to large and networked smoke and heat extraction systems
- Control unit of electromotive 24 V drives for smoke and heat extraction in the event of a fire
- Control of a controlled natural ventilation

PRODUCT FEATURES

- Modular design to allow flexible adaptation to building-specific requirements
- Convenient extension by clicking on other modules in one control unit
- Can be extended by alarm groups, vent groups and alarm lines as required
- Depiction of complex smoke and heat extraction scenarios
- Simple service and installation thanks to status display directly on the module
- Configuration software simplifies commissioning and configuration
- Wind-direction-dependent control possible (natural smoke and heat exhaust ventilation device)
- Safety and reliability confirmed by VdS certification

POSSIBLE CONNECTIONS FOR THE COMPONENTS



1 = MBZ 300 smoke and heat extraction modular bus control panel | 2 = Drives of the window and smoke extraction flaps | 3 = Vent switch | 4 = Rain/wind control | 5 = Alarm interference signals | 6 = SHEV button | 7 = Smoke detector and heat detector | 8 = Alarm from external fire alarm system

TECHNICAL DATA

GENERAL

	MBZ 300 N8	MBZ 300 N10	MBZ 300 N24	MBZ 300 N48 K/G	MBZ 300 N72	MBZ 300 configurable
Outer dimensions (mm)						
Height	400	500	600	600	600	depending on type
Width	300	400	600	600/800	800	
Depth	200	200	250	250	250	
Housing material	Control cabinet made of painted sheet steel					
Colour	painted grey (RAL 7035)					
Type of installation	Surface-mounted installation					
Cable guide	from above, surface mounting					
IP rating	IP 30, in compliance with EN 12101-10 environment class 1					
Ambient temperature	-5 to 40°C, in compliance with EN 12101-10 environment class 1					

ELECTRICAL

		MBZ 300 N8	MBZ 300 N10	MBZ 300 N24	MBZ 300 N48 K/G	MBZ 300 N72	MBZ 300 configurable
Operating voltage (primary)	Main voltage supply	230 V ± 10 %, 50...60 Hz					
	Performance	240 W	240 W	480 W	960 W	1440 W	depending on type
	pre-fuse needed on site	16 A					
	Power supply circuit cross-section	3 x 1.5 mm ² or 3 x 2.5 mm ²					
Initial voltage for drives	with mains supply	24 V ± 5 %					
	with battery supply	24 V ± 15 %					
	Residual ripple	2%					
	minimum output voltage	Minimum output voltages in compliance with EN 12101-10 Tab. 5: Drives 19.3 V / Report lines 18.2 V					
Output current for drives	in total	8 A	10 A	24 A	48 A (2x 24 A)	72 A (3x 24 A)	depending on type
	Duty rating	30% ED					
	per vent group	per DM 8 A per power supply 8 A	per DM 10 A per power supply 10 A	per DM 10 A per DME 20 A per power supply 24 A			depending on type
Connection cross-section	Drives	min. 1.5 mm ² / max. 2.5 mm ²					
Emergency power supply	Nominal capacity of the rechargeable battery	Standard rechargeable battery: 7 Ah	Standard rechargeable battery: 12 Ah	Standard rechargeable battery: 17 Ah alternatively: 24 Ah, 38 Ah	Standard rechargeable battery: 24 Ah alternatively: 38 Ah	Standard rechargeable battery: 38 Ah	depending on type
	Battery voltage (charge voltage temperature-compensated)	2 x 12 V					
	Battery connection	Tab connector 4.8 mm	Tab connector 6.3 mm	Ring cable lug MS5	Ring cable lug MS5	Ring cable lug MS5	depending on type
	Duration	72 h (max.) standby operation with subsequent motor operation for 180 s (2x open / 1x close)					

SET-UP
Internal bus system for modular equipping

- The minimum equipment consists of 1 switching power supply, 1 PM power module, 1 CM control module and 1 DM drive module
- The maximum equipment can contain up to 21 bus modules (depending on the standard variant control cabinet) at a max. of 72 A (3 switching power supply units with 24 A each). If more power is needed, several panels can be configured via the software as a combined control unit.
- The following additional modules are possible: DM or DME drive module, SM sensor module, WM weather module, ERM relay module

VARIANTS

	MBZ 300 N8	MBZ 300 N10	MBZ 300 N24	MBZ 300 N48 K/G	MBZ 300 N72	MBZ 300 configurable
integrated power supplies	1 switching power supply 10 A	1 switching power supply 10 A	1 switching power supply 24 A	2 switching power supplies 24 A	3 switching power supplies 24 A	depending on type
built-in modules:						
PME	–	–	–	1	2	Based on the basic control panels sizes N10–N72, the number and order of the modules can be adapted in a building-specific way.
PM	1	1	1	1	1	
CM	1	1	1	1	1	
DM	1	1	3	6	9	
Space for further modules	1	8	18	N48 K: 5 N48 G: 13	8	
Standard configuration	1 alarm group 1 vent group	1 alarm group 1 vent group	1 alarm group 3 vent groups	1 alarm group 6 vent groups	1 alarm group 9 vent groups	

INPUTS/POSSIBLE CONNECTIONS

		MBZ 300 N8	MBZ 300 N10	MBZ 300 N24	MBZ 300 N48 K/G	MBZ 300 N72	MBZ 300 configurable
Alarm activation per alarm group	Alarm line 1	per CM / SM: 10 SHEV buttons					
	Alarm line 2	per CM / SM: 10 smoke detectors/heat detectors or 1 x fire alarm system signal (external fire alarm system)					
	Alarm line 3	per CM / SM: 10 smoke detectors/heat detectors or 1 x fire alarm system signal (external fire alarm system)					
Ventilation control	Vent switch (example)	per DM / DME: 3 vent switches (LTA-24-AZ) with LED (or any number without LED connected)					
	Rain / wind	- Weather station (potential-free contact) can be connected to control module CM without additional module - special rain/wind/wind direction sensor can be connected via additional weather module WM					
Other		- further alarm group or alarm lines with additional SM sensor module (not possible with N8) - further vent group with 10 A with additional DM drive module - further vent group with 20 A with additional DME drive module (2 module slots) (not possible with N8) - 2 configurable signal inputs per DM					
Parameter setting		- simple configuration of alarm groups and vent groups using module sequence (without PC) - Extended settings via MBZ 300 PC software (connection via USB mini)					

OUTPUTS / SIGNALS

		MBZ 300 N8	MBZ 300 N10	MBZ 300 N24	MBZ 300 N48 K/G	MBZ 300 N72	MBZ 300 configurable
Display	on the control unit	- Visual operating and problem signals per module for fast localisation of faults - Direct operating level on the modules					
Status contacts (outputs)		- Potential-free status inputs for alarm or faults on CM control module and SM sensor module - Optional additional ERM relay module with 6 potential-free status contacts for alarm, faults or window statuses					
Networking of several control units		Optional linking of 30 control units via the MBZ 300 CAN bus (additional CAN module per control unit required)					

OTHER FEATURES

		MBZ 300 N8	MBZ 300 N10	MBZ 300 N24	MBZ 300 N48 K/G	MBZ 300 N72	MBZ 300 configurable
Modes of operation for drive supply		- Standard drives - Hold-open magnet mode of operation (continuous current draw approx. 30 % of the nominal current) - Release and supply of pressure gas generators					
Safety functions	Line monitoring	Line monitoring for alarm and drive lines using line terminal resistors					
	Reaction at power failure	parameters can be set (window OPEN, CLOSE or no reaction)					
	Reaction with faults	parameters can be set (window OPEN, CLOSE or no reaction)					
	Vent switch	Latching or dead man's operation (adjustable)					
Comfort functions	Automatic ventilation mechanism	adjustable running time, ventilation duration, dead man					
	Maintenance / service	adjustable maintenance timer, display of fault history, log function					
	Other	Building-specific settings can be made to the control unit using the MBZ 300 software (see Possible configurations)					
Smoke and heat extraction functions	Direction of alarm travel				Parameters for the direction of travel of the drives can be set per alarm group		
	Smoke detector reset				Reset switch in the control unit and remote resetting of smoke detectors can be set via SHEV button		
	Fire alarm system function				Fire alarm system signal can be adjusted in dead man or self-locking function		
	Alarm re-initiation according to VdS 2581				Deactivation possible		

CERTIFICATES / TESTS

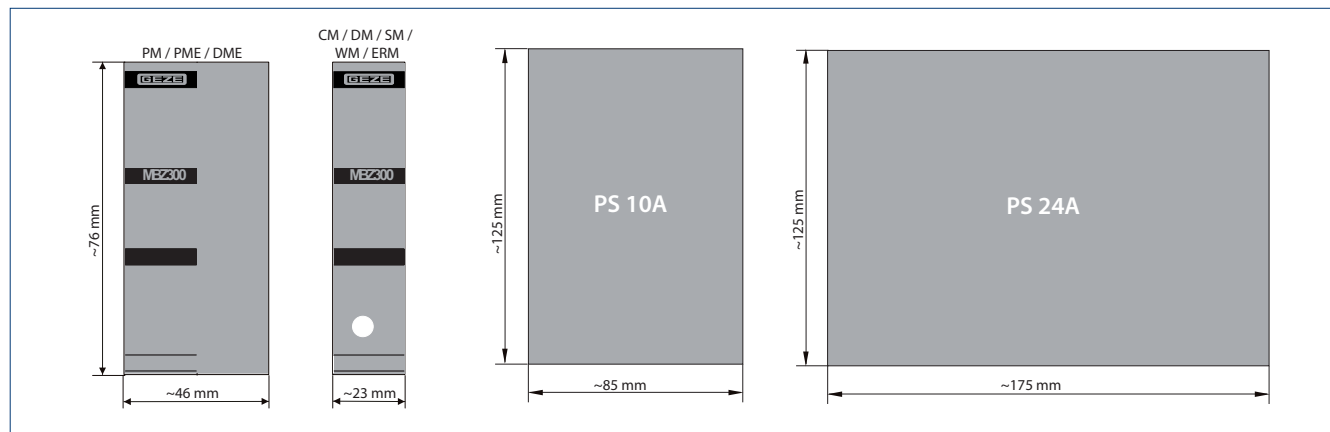
MBZ 300 N8	MBZ 300 N10	MBZ 300 N24	MBZ 300 N48 K/G	MBZ 300 N72	MBZ 300 configurable
DIN EN 12101-10 E DIN EN 12101-9 VdS 2581 VdS 2593					

MODULAR PRINCIPLE OF THE MBZ 300

Due to the possibility of software configuration and the extensive area of application of the modules, the control unit can be adapted to the individual smoke and heat extraction system concept. The modules can be installed on a standard top hat rail (TS 35). After correct connection the module is recognised immediately by the internal bus and automatically integrated into the system. Further fire sections (SM) and vent groups (DM, DME) are formed automati-

cally (self-teaching function). Individual settings can be adapted for the ERM, WM and CAN modules using PC software. Faults and errors during connection are signalled through rapid flashing of the status displays or through the fault display. Fire sections and vent groups can be configured for each specific project thanks to the modular system.

MBZ 300 MODULES



Size of the modules

Power supply

Switching power supplies in 10 A or 24 A for power supply

PM
PM power module for connection of the first switching power supply and the rechargeable battery. This controls and monitors the mains and rechargeable battery voltage as well as the charging circuit and the automatic switchover of mains-battery operation.

PME
PME power module extension for controlling and monitoring every further switching power supply (max. 3 x 24 A switching power supplies for 72 A). It controls the automatic switchover of mains rechargeable battery operation.

CM
CM control module

- For the connection of 3 alarm lines (manual and automatic fire detectors as well as external EMERGENCY-OPEN activation signals)
- Input central button ventilation for all vent groups
- Status contact for fault or alarm
- USB connection for MBZ 300 configuration software

DM
DM drive module for max. 10 A drive current for connection of 24 V drives, push buttons and control units. Pressure-gas generators or hold-open magnets can be triggered or supplied by corresponding programming.

DME
DME drive module extension for max. 20 A drive current (needs 2 module slots). The DME has the same features as the DM. Terminal blocks are needed for the connection of the drives, so that cables with a larger cable cross section can also be connected.

SM
SM sensor module with the same possible connections as CM control module. The sensor module requires a control module to be present. An input for a central ventilation button for the fire section is available.

WM and sensors
WM weather module for operating wind and rain sensors and wind-direction-dependent opening and closing of smoke vent units in the event of a fire. The special MBZ 300 weather sensors are used for this.

ERM
ERM relay module with 6 potential-free changeover contacts which can display faults, alarm messages or ventilation signals i.e. activation via a vent switch. The settings are made using the MBZ 300 software.

CAN
The CAN module is used for networking up to 30 MBZ 300. It is attached to the CM control module of every control unit to be networked.

POWER SUPPLY PS 10 A (134333)



POWER SUPPLY PS 24 A (134334)



PM MODULE (134320)



PME MODULE (134331)



CM MODULE (134316)



DM MODULE (134317)



DME MODULE (145790)



SM MODULE (134318)



WM MODULE (134332)



ERM MODULE (149081)



CAN MODULE (134319)



Determining the correct design (hardware)

- 1.) Determination of the number and power requirement of the drives including their distribution in groups
 - A DM drive module enables max. 10 A for the connection of drives.
 - One DME provides a max. of 20 A for the connection of drives.
 - At least one DM is required for each vent group.
 - Depending on the output current, a corresponding number of DM is assigned to one power supply.
 - The size of the control unit (MBZ 300 N10 to N72) is determined from the number of power supplies (max. 3).
- 2.) Number of alarm groups and their triggering elements (number of SHEV buttons, automatic detectors etc.)
 - The first alarm group is covered by the CM control module. SM sensor modules are required for further alarm groups.
- 3.) If e.g. weather sensors or other signal outputs are needed, further modules must be added (WM, ERM).
 - The housing size of the control unit selected is checked on the basis of the total number of modules.

The calculation program WinCalc in the GEZE partner portal provides support with the design.

RECHARGEABLE BATTERIES FOR EMERGENCY POWER SUPPLY

Observe the following when selecting the rechargeable batteries:

- Back-up time for emergency power operation in case of power failure
- Max. drive current
- Number and types of the modules
- Number of connected detectors

The emergency power supply has to be ensured for 72 hours and motor operation still has to be possible subsequently for 180 seconds at the maximum motor current. This is taken into account in the following examples.

If permanent consumers (hold-open magnet mode of operation) are connected to the control unit the rechargeable battery running time must be calculated separately.

EXAMPLE FOR THE SELECTION OF THE NECESSARY BATTERY CAPACITY WITH MBZ 300 STANDARD CONTROL PANELS:

Re-chargeable battery capacity	N8	N10	N24	N48K	N48G	N72
7 Ah	Motor current: 8 A 2 x DM 20 x SHEV buttons 20 x smoke detector					
12 Ah	Motor current: 10 A, 1 x SM, 5 x DM, 20 x SHEV button, 30 x smoke detector					
17 Ah	Motor current: 24 A, 1 x SM, 8 x DM, 30 x SHEV button, 30 x smoke detector					
24 Ah			Motor current: 24 A, 4 x SM, 1 2 x DM, 40 x SHEV button, 60 x smoke detector	Motor current: 48 A, 1 x SM, 9 x DM, 30 x SHEV button, 40 x smoke detector	Motor current: 48 A, 1 x SM, 9 x DM, 30 x SHEV button, 40 x smoke detector	
38 Ah			Motor current: 24 A, 8 x SM, 24 x DM, 60 x SHEV button, 60 x smoke detector	Motor current: 48 A, 5 x SM, 22 x DM, 60 x SHEV button, 60 x smoke detector	Motor current: 48 A, 5 x SM, 22 x DM, 60 x SHEV button, 60 x smoke detector	Motor current: 72 A, 3 x SM, 18 x DM, 40 x SHEV button, 60 x smoke detector

The capacity needed must be calculated in the case of deviating combinations.

Module configuration

The module sequence results in the standard settings for alarm and vent groups (hardware configuration).

The configuration can be modified by instructed qualified personnel using an optional software. Configuration is simply by means of PC via the USB connection integrated in the CM control module. A licence is needed for the software.

The most important possible configurations (via software):

- Assigning and combining vent groups
- Latching or dead man operation of the ventilation buttons
- Priority of the ventilation control panels (by default the ventilation button on the CM control module has a higher priority)
- Assigning, combining and prioritising alarm groups (fire sections) (by default the DM drive modules subordinated to the CM control module or SM sensor module form one fire section)
- Connection of pressure-gas generators or hold-open magnets instead of drives to the DM drive module
- Setting for wind-direction-dependent opening and closing in case of fire
- Wind speed threshold for automatic closing during ventilation
- Storing and logging the settings during commissioning and maintenance
- Requesting stored faults and events

ORDER INFORMATION

Designation	Version	ID no.
MBZ 300 special version complete Modular smoke and heat extraction control panel for the central control of individual smoke and heat extraction system components. Can be configured: Modules and their sequence, special software, rechargeable battery etc.		137453
MBZ 300 N8 Modular smoke and heat extraction control panel for the central control of the individual components of a smoke and heat extraction system with an output power of 8A	grey	188034
MBZ 300 N8 Modular smoke and smoke and heat extraction control panel for the central control of the individual components of a smoke and heat extraction system with an output power of 8 A - rail-mount terminal block	grey	187322
MBZ 300 N10 Modular smoke and heat extraction control panel for the central control of the individual components of a smoke and heat extraction system with an output power of 10 A	grey	137428

Designation	Version	ID no.
MBZ 300 N24 Modular smoke and heat extraction control panel for the central control of the individual components of a smoke and heat extraction system with an output power of 24 A	grey	137430
MBZ 300 N48K Modular smoke and heat extraction control panel for the central control of the individual components of a smoke and heat extraction system with an output power of 48 A	grey	137461
MBZ 300 N48G Modular smoke and heat extraction control panel for the central control of the individual components of a smoke and heat extraction system with an output power of 48 A	grey	137462
MBZ 300 N72 Modular smoke and heat extraction control panel for the central control of the individual components of a smoke and heat extraction system with an output power of 72 A	grey	137463
ACCESSORIES		
Rechargeable battery 7 Ah/12 V VdS suitable for MBZ 300 N10, E260 N12		028261
Rechargeable battery 12 Ah/12 V VdS suitable for MBZ 300 N10, E260 N12		020494
Rechargeable battery 17 Ah/12 V VdS suitable for MBZ 300 N24, E260 N32/2 - N32/8 VdS		111537
Rechargeable battery 24 Ah/12 V VdS suitable for MBZ 300 N24, MBZ 300 N48K, MBZ 300 N48G, E260 N32/2 - N32/8 VdS		020497
Rechargeable battery 38 Ah/12 V VdS		135694
Power supply PS 10 A 24 V switching power supply as basis of a MBZ 300		134333
Power supply PS 24A 24 V switching power supply as basis of a MBZ 300		134334
CM module Central control module for the smoke and heat extraction control panel. For 10 SHEV buttons, 10 smoke detectors, 1 fire alarm system input, central button for the first fire section and USB connection for the configuration software.		134316
DM module Vent group for connecting the smoke and heat extraction drives with 10A switching capacity		134317
DME module Provides the same connection and adjustment options as a DM - but with a higher output power of 20 A - For connection of the drives a rail-mount terminal block set (ID no. 150328) is necessary per module		145790
SM module For forming a further fire section: For 10 SHEV buttons, 10 smoke detectors, 1 fire alarm system input, central button for the fire section		134318
WM module For weather-dependent ventilation and wind-direction-dependent control when smoke and heat extraction is needed. In connection with weather sensors GC 401, GC 402, GC 403.		134332
ERM module 6 potential-free changeover contacts which can display faults, alarm messages or ventilation signals		149081
CAN module For connecting several MBZ 300 units		134319
Rail-mount terminal block set 10 mm ² For the connection of drive supply lines with larger cable diameter		150328
Rail-mount terminal block set 4 mm ² For the connection of drive supply lines with larger cable diameter		187323
PME module As a basic unit per additional power supply for control units with 2 or 3 power supplies		134331
PM module As basic unit with charge controller in conjunction with a power supply		134320
Replacement fuses MBZ 300		137245
Line End Module (LEM) for smoke and heat extraction system motor lines		166090
Replacement resistors MBZ 300		136448
Control cabinet lock MBZ 300		187355

THZ N4



Staircase control panel in compact housing for smoke extraction and small smoke and heat extraction systems

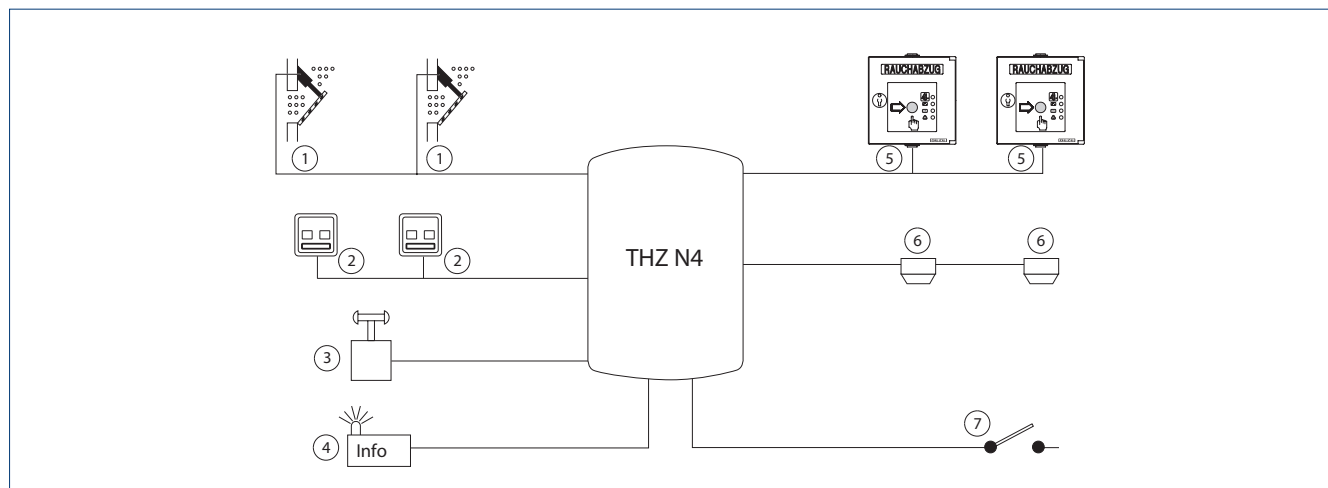
AREAS OF APPLICATION

- Smoke extraction in staircases
- Possible connections for smaller smoke and heat extraction solutions
- For smoke and heat extraction system drives with a total power consumption of 4.5 A
- Control of electromotive 24 V drives for smoke and heat extraction in the event of a fire
- Control unit of a controlled natural ventilation

PRODUCT FEATURES

- Compact and attractive design with a plastic housing
- Safety and reliability confirmed by VdS recognition and TÜV certification
- Highest flexibility due to extensive setting parameters options
- Quick and easy commissioning with the ST 220 service terminal

POSSIBLE CONNECTIONS FOR THE COMPONENTS



1 = Drives of the window and smoke extraction flaps | 2 = Vent switch | 3 = Rain/wind control | 4 = Alarm/interference signals | 5 = SHEV button | 6 = Smoke detector and heat detector | 7 = Alarm from external fire alarm system

TECHNICAL DATA

GENERAL

	THZ N4
Outer dimensions	193 x 285 x 89 mm
Housing material	Plastic
Colour	white
Type of installation	Surface mounting, installation in visible area possible
Cable guide	from above, surface or flush mounting possible
IP rating	IP 30
Ambient temperature	-5 – 40 °C

ELECTRICAL

		THZ N4
Operating voltage (primary)	Mains supply voltage	230 V ± 10 %, 50...60 Hz
	Performance	120 W
	pre-fuse needed on site	16 A
Output voltage for drives	with mains supply	24 V ± 5 %
	with battery supply	24 V ± 15 %
	Residual ripple	2 %
Output current for drives	minimum output voltage	–
	in total	4.5 A
	Duty rating	30% ED
Connection cross-section:	per vent group	4.5 A
	Drives	max. 4 mm ²
Emergency power supply	Nominal power of rechargeable battery	2.1 – 2.3 Ah (lead rechargeable battery)
	Battery voltage (charge voltage temperature-compensated)	2 x 12 V
	Battery connection	Tab connector
	Duration	72 h (max.) standby operation with subsequent motor operation for 180 s (2x open / 1x close)

STRUCTURE / VARIANTS (SCHEME FOR EACH CONTROL UNIT)

	THZ N4
Set-up	Compact
Alarm groups	1
Vent groups	1

INPUTS / POSSIBLE CONNECTIONS

		THZ N4
Alarm activation per alarm group	Alarm line 1	8 SHEV buttons
	Alarm line 2	10 smoke detectors heat detectors or 1 x fire alarm system signal (external fire alarm system)
	Alarm line 3	10 smoke detectors heat detectors or 1 x fire alarm system signal (external fire alarm system)
Ventilation control	Vent switch (example)	3 vent switches (LTA-24-AZ) with LED (or any number without LED connected)
	Rain/wind	Sensors (potential-free contact) can be connected without auxiliary module
Parameter setting		Service push buttons and 5 LEDs or ST 220

OUTPUTS / SIGNALS

		THZ N4
Display	on the control unit	Illuminated LED display for operating, fault and maintenance signal
	on the control unit (visible from the outside)	–
Status contacts (outputs)		3 status contacts for which parameters can be set (e.g. fault, alarm, window OPEN)
Networking of several control units		Forwarding of alarm and reset signals for linking up to 10 control units

OTHER FEATURES

		THZ N4
Modes of operation for drive supply		Standard drive or hold-open magnet mode of operation (0.8 A)
Safety functions	Line monitoring	Line monitoring for alarm and drive lines using line terminal resistors
	Reaction in the case of power failure	parameters can be set (window OPEN, CLOSE or no reaction)
	Reaction in the case of faults	parameters can be set (window OPEN, CLOSE or no reaction)
	Vent switch	Latching or dead man's operation (adjustable)
Comfort functions	Automatic ventilation mechanism	adjustable running time, ventilation duration, dead man
	Maintenance / service	adjustable maintenance timer, display of fault history possible
	Other	–
Smoke and heat extraction functions	Direction of alarm travel	Parameters for the direction of travel of the drives can be set per alarm line
	Smoke detector reset	Reset switch in the control unit and remote resetting of smoke detectors via SHEV button can be set
	Fire alarm system function	Fire alarm system signal can be adjusted in dead man or self-locking function
	Alarm re-initiation according to VdS 2581	Deactivation possible

CERTIFICATES / TESTS

THZ N4

TÜV-tested
 DIN EN 12101-10
 E DIN EN 12101-9
 VdS 2581
 VdS 2593

ORDER INFORMATION

Designation	Version	ID no.
THZ N4 - compact staircase control panel with 4.5 A in one vent group and alarm group. Including rechargeable battery	white RAL 9016	190775

ACCESSORIES

Terminal bag for THZ	140034
Replacement glass pane	151777
Accessories bag THZ	140029
Rechargeable battery 2.3 Ah	028260
Set of 2 x 12 V rechargeable batteries	

THZ Comfort N4



Staircase control panel in robust metal housing with illuminated SHEV and ventilation buttons for smoke extraction and small smoke and heat extraction systems

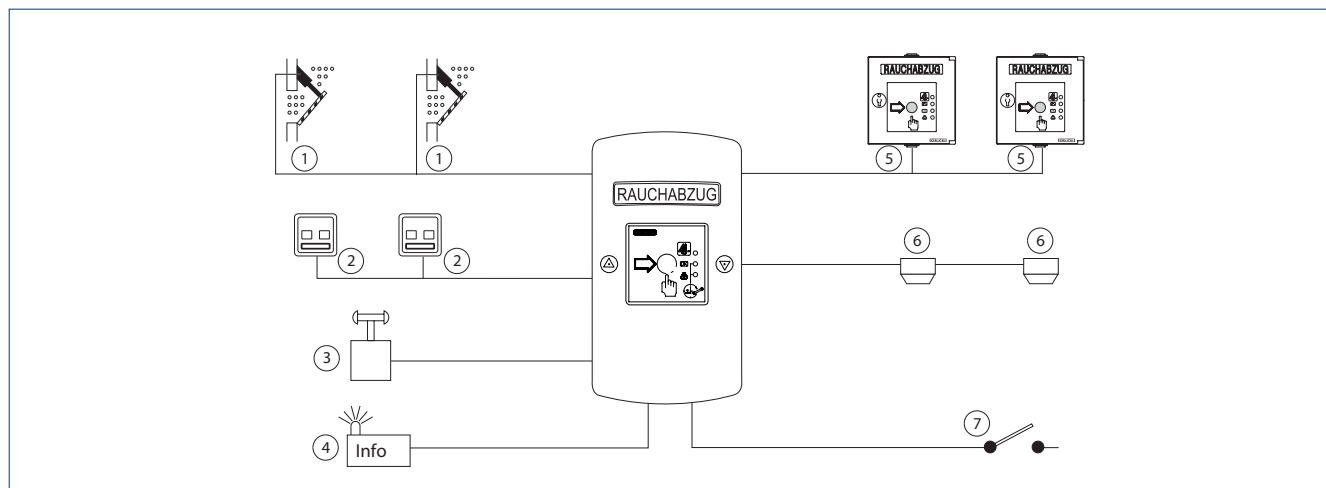
AREAS OF APPLICATION

- Smoke extraction in staircases
- Possible connections for smaller smoke and heat extraction solutions
- For smoke and heat extraction system drives with a total power consumption of 4.5 A
- Control of electromotive 24 V drives for smoke and heat extraction in the event of a fire
- Control unit of a controlled natural ventilation

PRODUCT FEATURES

- Compact and attractive design with a very robust metal housing
- Integrated illuminated SHEV and ventilation button for more safety
- Adjustable backlight of the SHEV button
- Safety and reliability confirmed by VdS recognition and TÜV certification
- Highest flexibility due to extensive setting parameters options
- Quick and easy commissioning with the ST 220 service terminal
- Reduced installation effort thanks to integrated push buttons

POSSIBLE CONNECTIONS FOR THE COMPONENTS



1 = Drives of the window and smoke extraction flaps | 2 = Vent switch | 3 = Rain/wind control | 4 = Alarm/interference signals | 5 = SHEV button | 6 = Smoke detector and heat detector | 7 = Alarm from external fire alarm system

TECHNICAL DATA

GENERAL

THZ Comfort N4	
Outer dimensions	140 x 248 x 85 mm
Housing material	Aluminium die casting
Colour	Lower part: grey, RAL 7035 Cover: orange, RAL 2011 or according to version (VdS statement of approval only for the colour orange)
Type of installation	Surface mounting, installation in visible area possible
Cable guide	from above, surface or flush mounting possible
IP rating	IP 30
Ambient temperature	-5–40 °C

ELECTRICAL

THZ Comfort N4		
Operating voltage (primary)	Mains supply voltage	230 V ± 10 %, 50...60 Hz
	Performance	120 W
	pre-fuse needed on site	16 A
	Connection cross-section for power supply circuit	3 x 1.5 mm ²
Output voltage for drives	with mains supply	24 V ± 5 %
	with battery supply	24 V ± 15 %
	Residual ripple	2 %
	minimum output voltage	Minimum output voltages in compliance with EN 12101-10 Tab. 5: Drives 20 V / detector lines 19.5 V
Output current for drives	in total	4.5 A
	Duty rating	30% ED
	per vent group	4.5 A
Connection cross-section:	Drives	max. 4 mm ²
Emergency power supply	Nominal power of rechargeable battery	2.1 – 2.3 Ah (lead rechargeable battery)
	Battery voltage (charge voltage temperature-compensated)	2 x 12 V
	Battery connection	Tab connector
	Duration	72 h (max.) standby operation with subsequent motor operation for 180 s (2x open / 1x close)

STRUCTURE / VARIANTS (SCHEME FOR EACH CONTROL UNIT)

THZ Comfort N4	
Set-up	Compact
Alarm groups	1
Vent groups	1

INPUTS / POSSIBLE CONNECTIONS

THZ Comfort N4		
Alarm activation per alarm group	Alarm line 1	1 SHEV button already integrated + 8 further SHEV buttons can be connected
	Alarm line 2	10 smoke detectors/heat detectors or 1 x fire alarm system signal (external fire detector system)
	Alarm line 3	10 smoke detectors/heat detectors or 1 x fire alarm system signal (external fire detector system)
Ventilation control	Vent switch (example)	1 vent switch already integrated + 3 vent switches (LTA-24-AZ) with LED (or any number without LED connected)
	Rain/wind	Sensors (potential-free contact) can be connected without auxiliary module
Parameter setting		Service buttons and 5 LEDs or ST220

OUTPUTS / SIGNALS

THZ Comfort N4		
Display	on the control unit	Illuminated LED display for operating, fault and maintenance signal
	on the control unit (visible from the outside)	through the integrated smoke and heat extraction system and vent switch: Displays for alarm, operation, fault and maintenance as well as window OPEN / CLOSE
Status contacts (outputs)		3 status contacts for which parameters can be set (e.g. fault, alarm, window OPEN)
Networking of several control units		Forwarding of alarm and reset signals for linking up to 10 control units

OTHER FEATURES

THZ Comfort N4		
Modes of operation for drive supply		Standard drive or hold-open magnet mode of operation (0.8 A)
Safety functions	Line monitoring	Line monitoring for alarm and drive lines using line terminal resistors
	Reaction in the case of power failure	parameters can be set (window OPEN, CLOSE or no reaction)
	Reaction in the case of faults	parameters can be set (window OPEN, CLOSE or no reaction)
	Vent switch	Latching or dead man's operation (adjustable)
Comfort functions	Automatic ventilation mechanism	adjustable running time, ventilation duration, dead man
	Maintenance / service	adjustable maintenance timer, display of fault history possible
	Other	unique! Background lighting of the SHEV button (adjustable)
Smoke and heat extraction functions	Direction of alarm travel	Parameters for the direction of travel of the drives can be set per alarm line
	Smoke detector reset	Reset switch in the control unit and remote resetting of smoke detectors via SHEV button can be set
	Fire alarm system function	Fire alarm system signal can be adjusted in dead man or self-locking function
	Alarm re-initiation according to VdS 2581	Deactivation possible

CERTIFICATES/TESTS
THZ Comfort N4

TÜV-tested
 DIN EN 12101-10
 E DIN EN 12101-9
 VdS 2581
 VdS 2593

ORDER INFORMATION

Designation	Version	ID no.
THZ Comfort N4 – compact staircase control panel with 4.5 A in one vent group and alarm group, and integrated smoke and heat extraction system and vent switch. Including rechargeable battery	orange RAL 2011	190783
	red RAL 3001	190784
	yellow RAL 1021	190786
	grey RAL 7035	190787
	white RAL 9016	190788
	acc. to RAL	190789

ACCESSORIES

Spare key for THZ	142113
Terminal bag for THZ	140034
Replacement glass pane	151777
Accessories bag THZ	140029
Rechargeable battery 2.3 Ah	028260
Set of 2 x 12 V rechargeable batteries	

Possible combinations of smoke and heat extraction control panels with on-site systems

SMOKE AND HEAT EXTRACTION SYSTEM COMBINED WITH SHADE CONTROL

Depending on the constructional design, windows and shade control may collide when both are activated at the same time. A sequence control ¹⁾ is required for this combination. This control should ensure that the windows do not open when the shade control is closed and vice versa the shade control should not darken (retract) as long as the windows are open.

The system could be configured as follows:
When the windows are opened in the event of an alarm, the SHEV control panel sends an alarm signal to the shade control to open it. The window drive can only begin (window opens) once the on-site limit switch on the shade control has signalled to the control that the shade control has reached its open position. Similarly, for the ventilation case, the opening of the windows is blocked until the shade control has reached its open position. The situation is reversed for closing: the shade control can only darken after a limit switch on the window signals to the control that the windows are closed. If no signals are sent to the window or shade control, the shading remains open and the windows closed.

SMOKE AND HEAT EXTRACTION SYSTEM IN COMBINATION WITH MECHANICAL SMOKE REMOVAL

Mechanical smoke removal works independently of a natural smoke extraction system. However, there are projects which achieve smoke removal using ventilators and fresh air via natural smoke and heat extraction. For example, ventilators should only start up when the fresh air windows are open (to avoid partial vacuum). In this case, the smoke and heat extraction control panel sends a potential-free signal to the fans, which can be delayed by a time relay, for example. Alternatively, end position contacts on the window can also enable automatic smoke extraction. ²⁾

CONNECTION OF SMOKE AND HEAT EXTRACTION CONTROL PANELS TO A FIRE ALARM SYSTEM/BUILDING MANAGEMENT SYSTEM

GEZE smoke and heat extraction systems can be connected to on-site systems via potential-free contacts. ³⁾

Examples:

- Alarm function (a fire alarm system triggers the smoke and heat extraction control panel)
- Fundamentally, there should always be at least one SHEV button connected in addition.
- If necessary, smoke detectors can be connected to the smoke and heat extraction control panel in addition to the on-site system.
- For "ALARM OPEN" a potential-free normally open contact of the on-site system is connected to a signal line of the smoke and heat extraction control panel (pulse signal is sufficient, heed line monitoring and alarm resistance).
- For "CLOSE/RESET after alarm" a potential-free normally open contact is connected parallel to the "CLOSE push button" in series with the existing SHEV buttons. (Pulse signal is sufficient, heed line monitoring and alarm resistance). Alternatively, automatic resetting of the alarm can be activated on the smoke and heat extraction control panel as soon as the signal line is at rest again. (Permanent signal necessary)

Ventilation function (the building management system forwards ventilation signals to the smoke and heat extraction control panel)

- only OPEN/CLOSE without STOP: Per vent group, a potential-free normally open contact is connected to the vent switch input for the OPEN direction and CLOSE direction. A pulse signal is sufficient.
- OPEN/CLOSE and STOP with dead man function (configuration of control unit necessary): Per vent group, a potential-free normally open contact is connected to the vent switch input for the OPEN direction and CLOSE direction. The drives are activated for the length of time the contact is closed and stopped when the contact is opened.

Rain/wind control (on-site weather signal)

- A potential-free normally open contact is needed for rain/wind control. As long as this signal is pending, the ventilation functions are without effect.

Feedback to the building management system

Depending on the smoke and heat extraction control panel, an ERM relay module (MBZ 300) incl. configuration by software may be necessary. This means the following signals are available potential-free as normally closed or normally open contacts:

- Alarm, active after alarm has been triggered via SHEV button, smoke detector or fire alarm system
- Interference, as a collective fault signal for all interference which can be recorded
- Window OPEN or vent signal OPEN

- 1) Not a ready-made unit: depending on the smoke and heat extraction control panel, requirements and technical circumstances, different realisation options can result. (Coordination of the needed potential-free contacts and shading control required. On-site wiring via relay may be necessary.) The reliability must be guaranteed. The system must be coordinated with the fire protection planner responsible.
- 2) Depending on the smoke and heat extraction control panel, requirements and technical circumstances, different realisation options can result. The reliability must be guaranteed. The system must be coordinated with the fire protection planner responsible.
- 3) Depending on the smoke and heat extraction control panel, requirements and technical circumstances, different realisation options can result. Individual adaptations are possible through configuration (with THZ N4/THZ Comfort N4 through service push buttons/ST 220 or MBZ 300 via configuration software). The reliability must be guaranteed. The system must be coordinated with the fire protection planner responsible.







WINDOWS

Ventilation control

In the area of window technology, the IQ box KNX interface module enables controlled, natural ventilation plus the direct integration of window drives of the GEZE IQ windowdrive series into KNX building systems. IQ box KNX accesses the intelligence of the window drives and reports information such as the opening width to the building management system. Additional sensors, for instance, for measuring air quality, rain, wind and window safety system, can be integrated into these system solutions under KNX. Thus, the automated windows can be intelligently controlled and monitored, and networked with shade control, heating and air conditioning.



IQ box KNX



Interface module for connecting the window drive Slimchain, Powerchain and E 250 NT window drives in the KNX building bus

AREAS OF APPLICATION

- Natural ventilation in façades and the roof area
- Direct connection of GEZE Slimchain, Powerchain, E 250 NT drives to KNX building systems
- For top hat rail or flush-mounted installation

PRODUCT FEATURES

- Activation and feedback of the window drives via the KNX building bus
- One IQ box KNX per window networks up to four window drives and two locking drives
- All drives from the GEZE IQ windowdrive series can be combined and integrated according to the planning status
- Greater efficiency for building monitoring thanks to reliable status reports
- Integrated push button interface to connect components such as push buttons and sensors
- Status report from every automated window possible
- Easy to retrofit, can be extended as needed

TECHNICAL DATA

IQ box KNX

GENERAL

Dimensions	50 x 45 x 19 mm (IQ box KNX UP) 98 x 62 x 18 mm (IQ box KNX HS)
------------	--

ELECTRICAL DATA

Operating voltage	24 V ± 25 %
Current consumption	0.02 A
Cable dimensions	max. 1.5 mm ²
Temperature range	-5 – 70 °C
IP rating / protection class	IP 20 / III

SPECIFICATIONS

Type of installation	Surface or flush-mounted housing
Max. cable length to push button	30 m
Max. cable length to window	50 m

FUNCTIONS

KNX movement commands	Open/close, step/stop, target position in %, speed in %, block
KNX status reports	Position in %, opened, closed, not closed, opening, closing, intermediate position
Ventilation	Timed ventilation, gap ventilation, wind alarm, rain alarm

IQ BOX KNX HS



IQ BOX KNX UP WITH GEZE SLIMCHAIN CHAIN DRIVE



SYSTEM STRUCTURE



ORDER INFORMATION

Designation	ID no.
IQ box KNX UP Flush mounting variant for the installation in a flush-mounted branch box or electronic box	164443
IQ box KNX HS Top hat rail variant for installation on a TS35 top hat rail. Space needed 18 mm (1 TE)	164437
ACCESSORIES	
Surface-mounted housing Dimensions: W x H x D = 193 x 130 x 82 mm. For electronic top hat rail components, e.g. power supplies.	152010
Vent switch LTA-24-AZ with control keys "Open-Close" and LED function display (not suitable for 230 V)	129393
Vent switch LTA-LSA with rotary knob for "open-close", can alternatively be used as a vent switch	118476
NT 1.1 A-24 V UP power supply Installation in flush-mounted box	151426
NT 1.5 A-24 V HS power supply Output voltage 21.6 - 26.4 V, W x H x D: 78 x 93 x 56 mm, installation on top hat rail	151425
NT 2.5 A-24 V HS power supply Output voltage 21.6 - 26.4 V, W x H x D: 78 x 93 x 56 mm, installation on top hat rail	151424
NT 4.2 A-24 V HS power supply Output voltage 24-29 V, W x H x D: 100 x 93 x 56 mm, installation on top hat rail	151423
IQ box Safety Module for closing edge protection for window drives from the 24V IQ windowdrive series. One IQ box Safety is needed per window (also for Syncro applications and with locking drives). top hat rail mounting (space needed 32 mm/2 TE)	187677

Housing, switches



Surface-mounted housing
(152010)



Vent switch LTA-24-AZ
(129393)



Vent switch LTA-LSA
(118476)

IQ box Safety



Safety module for protection from hazardous areas of power-operated windows

AREAS OF APPLICATION

- Closing edge protection on automated power-operated windows with IQ windowdrive 24 V drives
- For connecting safety edges and non-contact sensors
- One IQ box Safety per window for up to four window drives and two locking drives
- For natural ventilation, smoke and heat extraction systems
- Suitable for all activation units (smoke and heat extraction control panel, 24 V power supply, KNX, IQ gear)

PRODUCT FEATURES

- Complies with the most stringent protection class demands in respect of risk assessment for power-operated windows according to the Machinery Directive (protection class 4)
- TÜV-tested functional safety in accordance with DIN EN 13849-1
- Four sensor connections, can be allocated with safety edges or non-contact sensors
- Top hat rail housing with plug-in terminals for quick and easy wiring
- Integrated push button for closing windows manually during servicing
- Easy and quick commissioning thanks to pre-set standard parameters
- Adjustments to the parameters with ST 220 service terminal possible

TECHNICAL DATA

IQ box Safety

GENERAL

Dimensions 35 x 90 x 60 mm

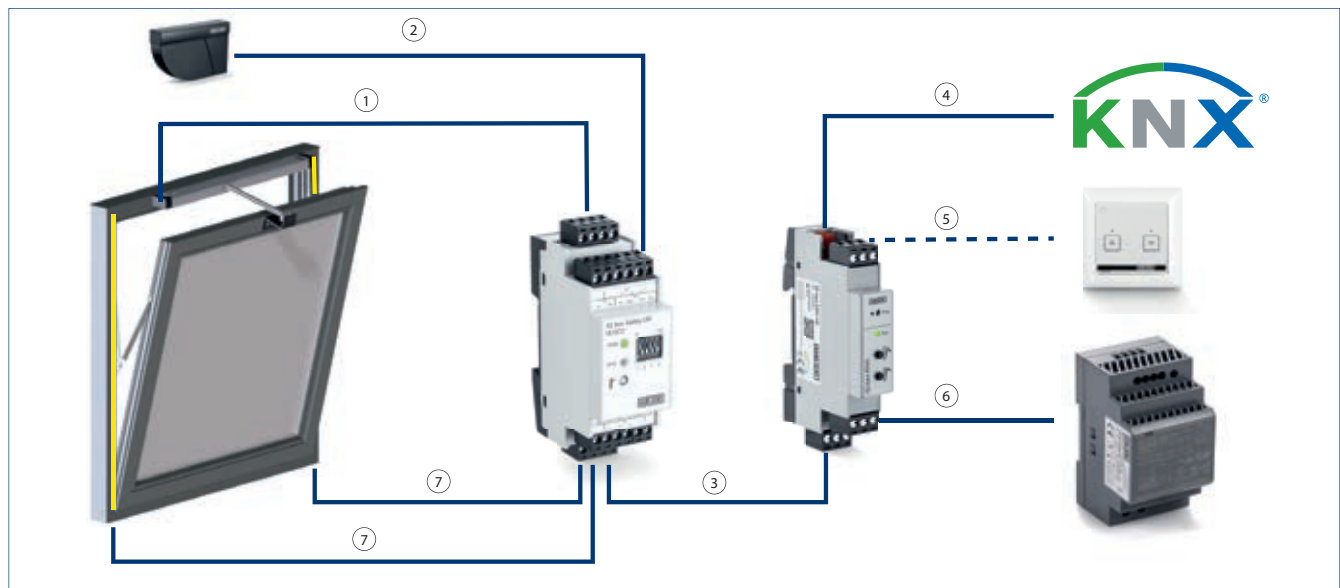
ELECTRICAL DATA

Operating voltage 24 V DC
 Current consumption 0.1 A
 Cable dimensions 2.5 mm²
 Temperature range -5°C – +70°C
 IP rating / protection class IP 20 / III

SPECIFICATIONS

Type of installation Top hat rail mounting
 Max. total length drives 50 m
 Max. cable length non-contact sensors 10 m
 Max. cable length safety edges 200 m
 Inputs for sensors 4 pc.
 Software drives The software status of the drives (IQ windowdrive) must be V3.2 or higher or V1.0 for F 1200+
 Approved safety edges 4.5 k to 22 k Ohm

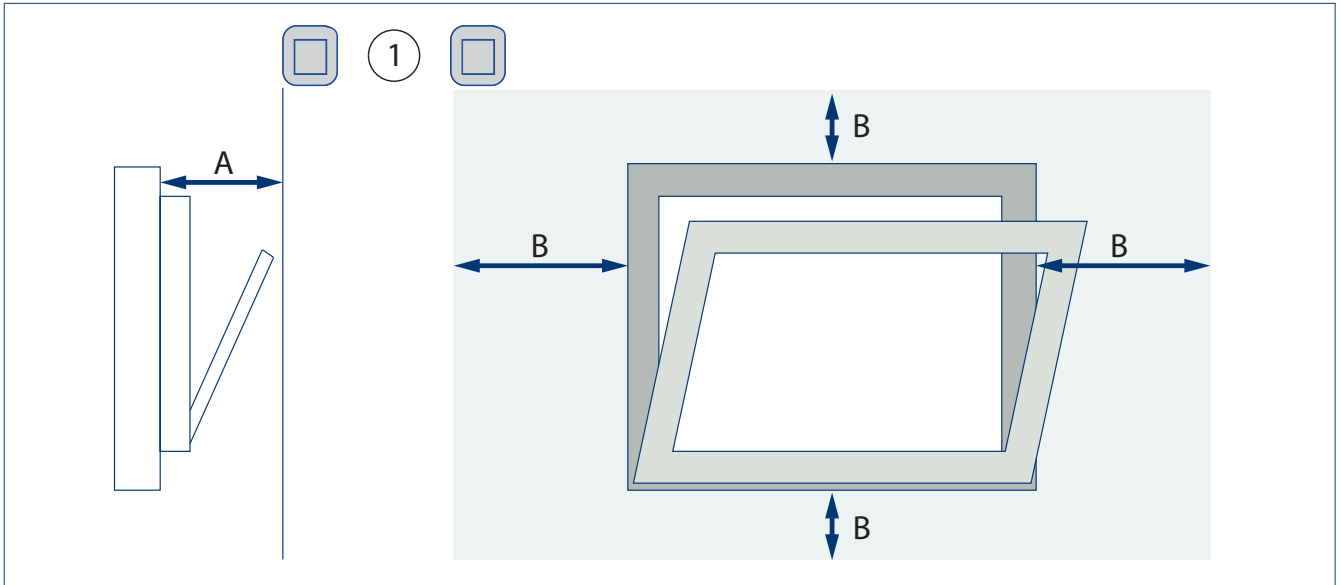
EXAMPLE OF ACTIVATION VIA KNX: WINDOW SAFETY SYSTEM ON THE AUTOMATED INWARD OPENING BOTTOM-HUNG WINDOW



1 = Drive connector cable A/B/S/L (4-core) | 2 = GC 342 sensor fitted to the outside of the window +24 V/GND/TST /Si | 3 = IQ box Safety connection cable and IQ box KNX A/B/S/L (4-core) | 4 = KNX Bus (2-core) | 5 = Vent switch (optional) | 6 = Power supply 24 V/GND (2-core) | 7 = Safety edge connection

→ **Note:** The IQ box Safety is designed for natural ventilation and smoke and heat extraction and is suitable for all activations (smoke and heat extraction control panel, 24 V power supply, KNX, IQ gear)

NON-CONTACT PINCH PROTECTION: MEASURES FOR MINIMISING RESIDUAL RISK



1 = Sensor | A = Distance of the sensor to the on-site limits (< 300 mm) | B = Overlap of the risk area (> 500 mm)

→ **Note:** With non-contact sensors, the remaining residual risk depends on the distance of the sensor to the on-site limits (A) (e.g. frame, façade elements,...) and the overlap of the risk area (B).
GEZE recommends the following values: A < 300 mm, B > 500 mm.

ORDER INFORMATION

Designation	ID no.
IQ box Safety Module for closing edge protection for window drives from the 24V IQ windowdrive series. One IQ box Safety is needed per window (also for Syncro applications and with locking drives). top hat rail mounting (space needed 32 mm/2 TE)	187677
ACCESSORIES	
Connection cable IQ box Safety Cable with plug for connection of IQ box Safety to the service case	193394
GC 339 Self-monitored active infrared sensor for protecting automatic doors, suitable for GEZE GC 363	acc. to RAL 151252 black 151251
GC 342 (left module) comprising sensor module, cable and accessories	white RAL 167433 black 167432 stainless steel colour 167434
GC 342 (right module) comprising sensor module, cable and accessories	white RAL 167436 black 167435 stainless steel colour 167437





WINDOWS

Accessories

Our extensive range of accessories offers the right solution for every application. Whether for alarm release in smoke and heat extraction systems or wireless activation of ventilation windows – GEZE has the right accessories.

The GEZE synchronising units ensure fast commissioning and parameter setting of our drives. When it comes to safety at the window, then our sensors and safety scissors are used. Further accessories can be found on our website.



Smoke and heat extraction system

MANUAL ALARM ACTIVATION

FT 4 A SHEV button

Area of application

- For connection to GEZE smoke and heat extraction control panels
- For manual smoke and heat extraction system alarm triggering
- Surface-mounted installation
- Cable entry from above, below or the rear side

Product features

- Robust, lockable die-cast aluminium housing
- LED operating status displays Alarm, Window OPEN, Operation OK, Fault
- Reset button for resetting the alarm
- Verifiable release by snapping of push button

SHEV button FT 4 A Acoustic,

Area of application

- For connection to GEZE smoke and heat extraction control panels
- For manual smoke and heat extraction system alarm triggering
- Cable entry from above, below or the rear side

Product features

- Robust, lockable die-cast aluminium housing
- LED operating status displays Alarm, Window OPEN, Operation OK, Fault
- Acoustic signal in the event of alarm and fault can be activated via DIP switch
- Reset button for resetting the alarm
- Verifiable release by snapping of push button

FT 4 A secondary control unit

Area of application

- For connection to GEZE smoke and heat extraction control panels
- To supplement a main FT 4 A button
- For manual smoke and heat extraction system alarm triggering
- Surface-mounted installation
- Cable entry from above, below or the rear side
- Operation possible with 4-wire cable

Product features

- Robust, lockable die-cast aluminium housing
- LED operating status displays Alarm
- Reset button for resetting the alarm
- Verifiable release by snapping of push button

FT 4 K SHEV button

Area of application

- For connection to GEZE smoke and heat extraction control panels
- For manual smoke and heat extraction system alarm triggering
- Surface-mounted installation
- Cable entry from above, below or the rear side

Product features

- Lockable plastic housing
- LED operating status displays Alarm, Window OPEN, Operation OK, Fault
- Reset button for resetting the alarm

Installation recommendation

Distance of push button switch from floor 1.4 ± 20 cm. Easily visible in staircase or corridor. The SHEV button must not be concealed by door leaves.

AUTOMATIC ALARM ACTIVATION

Smoke detector RM 1003

Area of application

- For connection to GEZE smoke and heat extraction control panels
- Ceiling mounting

Product features

- With scattered light evaluation
- LED for displaying state
- Tested in accordance with EN 54
- Safety and reliability confirmed by VdS recognition

→ **Note:** Smoke detectors should not be used if operating interference such as dust, smoke or vapour is to be expected.

WM 1005 heat detector

Area of application

- For connection to GEZE smoke and heat extraction control panels
- Ceiling mounting
- Can be used in areas with dust and steam

Product features

- Reacts when alarm temperature is exceeded
- LED for displaying state
- Tested in accordance with EN 54
- Safety and reliability confirmed by VdS recognition

→ **Note:** Heat detectors should not be used if rapid temperature fluctuations are to be expected due to operating conditions.

GC 162 RWA smoke detector

Area of application

- For connection to the THZ N4, THZ Comfort N4 and MBZ 300 smoke and heat extraction control panels
- For ceiling mounting

Product features

- Smoke detector with scattered light evaluation
- Longer service life thanks to automatic adaption of the alarm threshold
- Simple testing using integrated magnetic sensor
- LED for displaying state
- Tested in accordance with EN 54

Heat detector GC 163 RWA

Area of application

- For connection to the THZ N4, THZ Comfort N4 and MBZ 300 smoke and heat extraction control panels
- For ceiling mounting
- Can be used in areas with dust and steam

Product features

- Reacts when alarm temperature is exceeded
- Simple testing using integrated magnetic sensor
- LED for displaying state
- Tested in accordance with EN 54

ORDER INFORMATION

Designation	Version	ID no.
FT 4 A - VdS SHEV button in aluminium die-cast housing, incl. 'SMOKE VENT' sign		161282
FT 4 A SHEV button in aluminium die-cast housing, incl. 'SMOKE VENT' sign	blue RAL 5015	161284
	grey RAL 7035	161285
	yellow RAL 1021	161286
	red RAL 3000	161283
SHEV button FT 4 A Acoustic,	orange RAL 2011	198925
FT 4 A secondary control unit	orange RAL 2011	198914
FT 4 K SHEV button, plastic housing, 24 V, incl. 'SMOKE Vent' sticker	orange RAL 2011	136232
RM 1003 smoke detector, 24V with base	white RAL 9016	112877
WM 1005 heat detector, 24 V, with base	white RAL 9016	112878
GC 162 RWA smoke detector	white RAL 9010	184110
Heat detector GC 163 RWA	white RAL 9010	184139

Push buttons, detectors



FT 4 A - VdS SHEV button
(161282)



SHEV button FT 4 A Acoustic,
(198925)



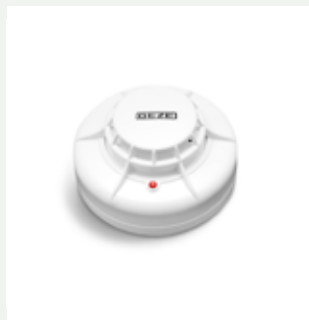
FT 4 A secondary control unit
(198914)



FT 4 K SHEV button
(136232)



RM 1003/24 V-VdS smoke detector
(112877)



WM 1005/24 V-VdS heat detector
(112878)



GC 162 RWA smoke detector
(184110)



Heat detector GC 163 RWA
(184139)

Ventilation

PUSH BUTTON

AS 500 vent switch LTA-24 (118473)

- 24 V mains voltage
- Triple switch
- With control keys "open-stop-close"
- With LEDs to display "open-close"

AS 500 vent switch LTA-24-SCT (127176)

- 24 V mains voltage
- Triple switch
- With control keys "open-stop-close"
- With LEDs to display "open-close"
- Combined with key switch
- Double frame

AS 500 vent switch LTA-230-SCT (118475)

- 230 V
- 3 positions
- With control keys "open-stop-close"
- Combined with key switch
- Double frame

AS 500 vent switch LTA-230 (118474)

- AS 500 vent switch LTA-230**
- 230 V
- Triple switch
- With control keys "open-stop-close"

AS 500 vent switch LTA-LSA (118476)

- 230 V
- Triple switch
- With control keys "open-close"
- With optional touch or hold-open function

AS 500 vent switch LTA-24-AZ (129393)

- 24 V mains voltage
- Double switch
- With control keys "open-close"

SCT key switch (117996, 118478)

- Supplied without Euro profile cylinder
- Single or 2-pin version available

SWITCH/BUTTON RANGE

ID	Name	Description	24V supply			230 V power supply		Wireless range (24 V / 230 V)
			MBZ 300	THZ N4 / THZ Comfort N4	direct (IQ window-drive)	direct (conv. 230 V-drives)	direct (IQ window-drive)	
118473	LTA-24	with STOP and LEDs	-	-	-	-	-	-
118474	LTA-230	with STOP	-	-	-	●***	-	-
127176	LTA-24-SCT	with STOP and LEDs + key	-	-	-	-	-	-
118475	LTA-230-SCT	with STOP + key	-	-	-	●***	-	-
118476	LTA-LSA	Switch or push button	○**	○**	○** + IQ gear	● (as switch)	○** (+ IQ gear + NT)	○**
129393	LTA-24-AZ	OPEN, CLOSE with LED	●	●	●* + IQ gear	-	●* (+ IQ gear + NT)	●*
117996	Key switch 1-pole.	1-pin key switch	in connection with another push button					
118478	Key switch 2-pole.	2-pin key switch	○	○	○	○	○	○

● = Standard solution | ○ = Limited use possible | * = without use of LEDs | ** = as push button without stop function | *** = with self-locking module or E 212R | NT = power supply

WIRELESS PROGRAMME

The wireless activation of doors and windows using the GEZE wireless programme makes connection to a mains power supply superfluous. Thanks to the very small dimensions of the wireless modules, they can easily be integrated in the drive or in a flush-mounted box.

Examples for areas of application:

- Retrofitting without needing to lay cables and using existing switches/push buttons
- Installation without connection to power, for example, on glass
- Individual or group control of windows and doors
- Combined activation of doors and windows using a remote control

Remote control

For wireless activation of doors and windows, as multi-channel solution.
For each additional channel, another terminal can be switched by pressing a button.

Receiving module

- Simple teach-in with acoustic feedback
- Up to 85 radio transmitters to teach-in
- DIP switches for selecting mode of operation of the receiving modules (pulsed operation, pulse mode and continuous operation)
- 2 relay outputs for individual possible connections

ACTIVATION GEZE IQ WINDOWDRIVE

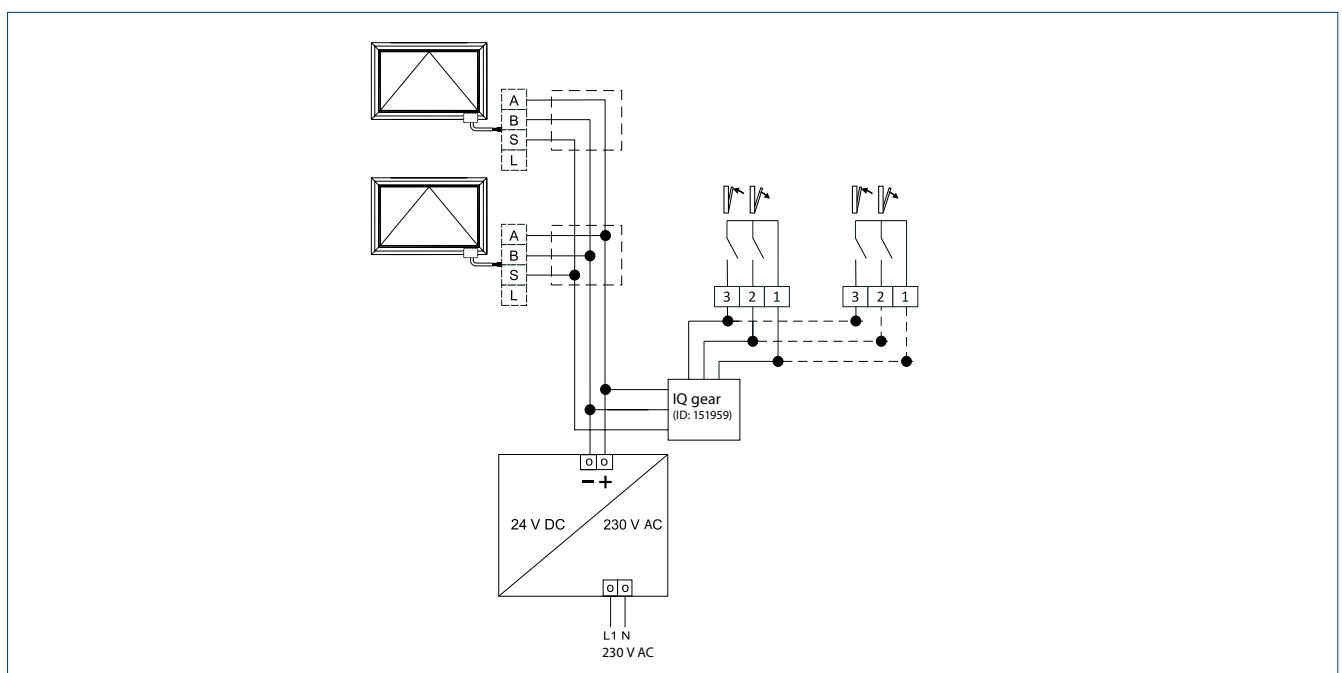
IQ gear

The IQ gear is an interface for the activation of GEZE IQ windowdrive drives in ventilation mode in combination with power supplies and push buttons. The IQ gear converts the switching signals of the push-button into an analogue voltage. This analogue voltage is evaluated by the drive control units. Opening, closing and stop activations are then executed depending on configuration.

- For activation of the GEZE IQ windowdrive Slimchain, Powerchain and E 250 NT chain drives in ventilation mode
- Manual activation via push-button or automatic activation via potential-free contacts
- Interface between vent switch, power supply unit and window drive
- Activation of up to 10 drives in a group with one IQ gear
- Use of 24 V standard power supply units and vent switches for open / stop / close control of the drives

	IQ gear
Supply voltage	24 V (20–30 %)
Induced current intake	12 mA
Output signal	6–8 V, ± 5 %, analogue voltage signal for activation of the IQ windowdrives
Connection wires	0.25 mm ² , PVC length approx. 150 mm
Dimensions (W x H x D) [mm]	29 x 25 x 8
Service temperature	–10 – 60 °C
Version	Printed circuit board with cast

COMPONENTS IN THE SYSTEM



ORDER INFORMATION

Designation	Version	ID no.
Vent switch, convertible to vent switch LTA-LSA with rotary knob for "open-close", can alternatively be used as a vent switch	alpine white	118476
Vent switch LTA-230 with control keys "open-stop-close"	alpine white	118474
Vent switch combined with key switch LTA-230-SCT with control keys "open-stop-close"	alpine white	118475
Vent switch LTA-24 with control keys "open-stop-close" and LED function display	alpine white	118473
Vent switch LTA-24-AZ with control keys "Open-Close" and LED function display	alpine white	129393
Vent switch combined with key switch LTA-24-SCT with control keys "open-stop-close" and LED function display	alpine white	127176
SCT key switch 1-pin without Euro profile cylinder	alpine white	117996
SCT key switch 2-pin without Euro profile cylinder	alpine white	118478
WRM-230 radio receiving module 52 x 47 x 23 mm (W x H x D), for installation in a standard flush-mounted box		131215
WRM-230B radio receiving module 130 x 80 x 35 mm (W x H x D), for surface mounting installation with protection class IP 54		131216
WRM-24 radio receiving module 52 x 47 x 23 mm (W x H x D), for installation in a standard flush-mounted box		131213
WRM-24B radio receiving module 130 x 80 x 35 mm (W x H x D), for surface mounting installation with protection class IP 54		131214
Remote control 2 channels with wall fixing and IP rating IP 54		131210
Remote control 4 channels with wall fixing and IP rating IP 54		131211
WTM transmitting module 44 x 30 x 11 mm (W x H x D), for optional integration in push-button		131212
IQ gear		151959
NT 1.1 A-24 V UP power supply		151426
NT 1.5 A-24 V HS power supply		151425
NT 2.5 A-24 V HS power supply		151424
NT 4.2 A-24 V HS power supply		151423

Switches, wireless programme, IQ gear



AS 500 vent switch LTA-24
(118473)



AS 500 vent switch LTA-24-SCT
(127176)



AS 500 vent switch LTA-230-SCT
(118475)



AS 500 vent switch LTA-230
(118474)



AS 500 vent switch LTA-LSA
(118476)



AS 500 vent switch LTA-24-AZ
(129393)



SCT key switch
(117996)



Remote control 2 channels
(131210)



Remote control 4 channels
(131211)



WTM transmitting module
(131212)



WRM receiving module



IQ gear
(151959)

Sensors

RAIN/WIND CONTROL

- For connection to smoke and heat extraction control panels and ventilation controls
- For wall or mast installation
- Automatic closing of the windows in case of wind or precipitation in ventilation mode
- Heated and corrosion-resistant sensor surface
- Wind speed sensor without mechanical components
- control unit with integrated power supply and LEDs for rain/wind display
- Switching point of the wind speed sensor adjustable
- Output of wind and rain signals individually or together via potential-free contacts

GC 240 RS RAIN SENSOR

- For connection to the THZ N4, THZ Comfort N4 and MBZ 300 smoke and heat extraction control panels
- Automatic closing of windows by the control unit during precipitation in ventilation mode
- For wall or mast installation
- Heated and corrosion-resistant sensor surface
- Sensitivity can be adjusted using the potentiometer
- No additional power supply needed

MBZ 300 WEATHER SENSOR: GC 401 RS + GC 402 WVS RAIN AND WIND SENSOR SET

- For connection to the MBZ 300 smoke and heat extraction control panel with weather module
- For wall or mast installation
- Automatic closing of the windows in case of wind or precipitation in ventilation mode
- Heated and corrosion-resistant sensor surface
- Shells made of impact-resistant polyamide
- Maintenance-free ball bearings
- Wind threshold adjustable via MBZ 300 software

MBZ 300 WEATHER SENSOR: GC 403 WDS WIND DIRECTION SENSOR

- For connection to the MBZ 300 smoke and heat extraction control panel with weather module
- For combination with the GC 402 wind speed sensor
- Wind-direction-dependent smoke extraction with natural smoke and heat exhaust ventilation devices according to EN 12101-2
- For wall or mast installation
- Wind-direction-dependent smoke removal adjustable via MBZ 300 software

GEZE CONTROL UNITS AND WEATHER SENSOR

Management/ control unit	Connection	Rain and wind control	GC 240 RS rain sensor	GC 401 RS rain sensor and GC 402 WVS wind sensor and GC 403 WDS wind direction sensor
		091529	189313	140229 + 140228
MBZ 300	Potential-free input on the CM or SM	for ventilation	for ventilation	–
MBZ 300	on the WM weather module	Potential-free inputs for rain / wind for ventilation (Programming with MBZ 300 software with Licence necessary)	–	for ventilation and as wind-di- rection-dependent activation for natural smoke and heat exhaust ventilation device (in the case of fire) (Programming with MBZ 300 Software with licence required)
THZ N4 / THZ Comfort N4	Potential-free input	for ventilation	for ventilation	–
E 202 Z1 (230V)	Potential-free input	for ventilation	–	–
230V direct	Potential-free input	for ventilation	–	–

E 70 ROOM THERMOSTAT

- For connection to smoke and heat extraction control panels and ventilation controls
- For temperature-dependent window control indoors
- Surface-mounted installation
- Temperature switching point adjustable between +5° and 30° C
- Potential-free changeover contact
- Selector switch for manual switching on and off

ORDER INFORMATION

Designation	ID no.
Rain/wind control Consisting of weather station and output control unit: potential-free contacts for rain/wind	091529
GC 240 RS - rain sensor Use with the MBZ 300 and THZ N4/THZ Comfort N4 smoke and heat extraction control panel	189313
GC 401 RS - rain sensor Use with the MBZ 300 weather module	140226
GC 402 WVS - wind speed sensor Use with the MBZ 300 weather module	140227
GC 401 RS + 402 WVS - rain and wind sensor set Use with the MBZ 300 weather module	140229
GC 403 WDS - wind direction sensor Use with the MBZ 300 weather module	140228
E 70 room thermostat Setting of two switching points for dry closed rooms	079087

ACCESSORIES

Relay with base 230 V	008276
Switching protection E 204 G 230 V	021338

Sensors



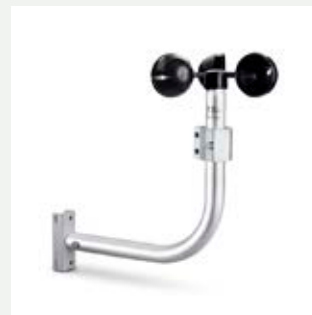
Rain/wind control (091529)



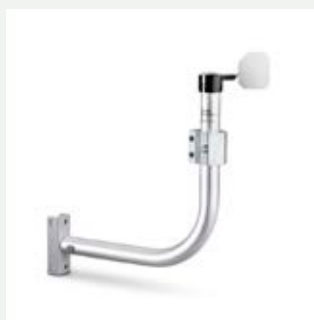
GC 240 RS rain sensor (189313)



GC 401 RS rain sensor (140226)



Wind speed sensor
GC 402 WVS (140227)



Wind direction sensor
GC 403 WDS (140228)



Room thermostat E 70 (079087)

Power supplies

GEZE power supplies are suitable for 230 V ventilation applications with IQ windowdrive. A corresponding power supply, an IQ gear and a vent switch are required for the activation of the 24 V IQ windowdrive. Depending on power requirements for the drives and their division into groups, different power supplies can be selected:

	NT 6.25 A-HS POWER SUPPLY	NT 4.2 A-24 V HS POWER SUPPLY	NT 2.5 A-24 V HS POWER SUPPLY	NT 1.5 A-24 V HS POWER SUPPLY	NT 1.1 A-24 V UP POWER SUPPLY	NT 2.5 A power supply
Supply voltage	230 V					
Performance	150 W	100.8 W	60 W	36 W	26.4 W	60 W
Output voltage	24 V \pm 3 %	24 V adjustable			24 V \pm 5 % fixed	24 V, with integrated direction control/polarity reversal
Output voltage	6.25 A	4.2 A	2.5 A	1.5 A	1.1 A	2.5 A
Connection	Screw terminals 2.5 mm ²				2 x 2 wire cores, 0.5 mm ² approx. 90 mm long	Spring force terminal 2.5 mm ²
Dimensions (W x H x D)	95 x 72 x 66.5 mm	100 x 93 x 56 mm	53 x 90 x 55 mm	35 x 90 x 55 mm	Diameter 54 mm, 32.5 mm high	200 x 50 x 25 mm
Operating temperature	-10 – 50 °C					-10 – 70 °C
Version	Top hat rail housing				Flush-mounted housing for installation in a deep flush-mounted installation box	Surface-mounted installation

ASSIGNMENT TABLE: NUMBER OF WINDOWS PER POWER SUPPLY FOR VENTILATION APPLICATIONS

Opening system	NT 6.25	NT 4.2	NT 2.5	NT 1.5	NT 1.1 (flush mounting)	NT 2,5 SM DIR
Slimchain SO	6	4	3	1	1	3
Slimchain SO + Power lock	4	3	1	1		1
Slimchain SY	3	2	1			1
Slimchain SY + Power lock	3	2	1			1
Slimchain SY3	2	1	1			1
Slimchain SY3 + Power lock	2	1	1			1
Powerchain SO	4	3	2	1		2
Powerchain SO + Power lock	4	3	1	1		1
Powerchain SY	2	1	1			1
Powerchain SY + Power lock	2	1	1			1
Powerchain SY3	1	1				
Powerchain SY3 + Power lock	1	1				
E 250 NT SO	6	4	3	1	1	3
E 250 NT SO, stroke 500	5	3	2	1	1	2
E 250 NT SO + Power lock	4	3	1	1		1
E 250 NT SY	3	2	1			1
E 250 NT SY, stroke 500	2	2	1			1
E 250 NT SY + Power lock	3	2	1			1
E 250 NT SY3	2	1	1			1
E 250 NT SY3, stroke 500	1	1				

SO = Solo | SY = Syncro

→ **Note:** The cable cross-section between drive and power supply is calculated according to the equation: Cable cross-section = Cable length x total current of the drives / 73

ORDER INFORMATION

Designation	ID no.
NT 6.25 A-24 V HS power supply	192113
NT 4.2 A power supply-24 V HS	151423
NT 2.5 A-24 V HS power supply	151424
NT 1.5 A-24 V HS power supply	151425
NT 1.1 A-24 V UP power supply	151426
NT 2.5 A-24 V power supply SM DIR	195293

Power supplies



NT 6.25 A power supply-24 V HS
(192113)



NT 4.2 A power supply-24 V HS
(151423)



NT 2.5 A power supply-24 V HS
(151424)



NT 1.5 A power supply-24 V HS
(151425)



NT 1.1 A power supply-24 V UP
(151426)



NT 2.5 A power supply
(195293)

Cable transitions

Cable transitions serve as the power supply from window drives to turn-and-tilt windows. They can be installed in the leaf or frame, and are concealed in the rebate space. The detachable plug connection makes installation and removal easy and convenient.

ORDER INFORMATION

Designation	Version	ID no.
Cable transition 2 m/3 m for power supply to window drives	grey	193287
Cable transition 4 m/6 m for power supply to window drives	grey	193863

Cable transitions



Cable transition
(193287, 193863)

Surface-mounted housing

The GEZE surface-mounted housing is an aesthetic alternative to a conventional surface-mounted installation box. It is white and has an attractive design making it less conspicuous on the wall.

The housing is used to house electronic top hat rail components e.g. power supplies if these cannot be installed in control cabinets in technical rooms or in flush-mounted boxes. The clever composition allows the four housing sections to be put together easily without tools. This way, several housings can be coupled together in order to house several components. For safety reasons, dismantling can only be done with a screwdriver.

TECHNICAL DATA

Version	White plastic housing with pre-installed top hat rail
Cable guide	Surface mounting with the aid of insertion plugs or flush mounting possible
Area of application	Dry rooms, installation on walls or ceilings
Dimensions (W x H x D)	193 x 130 x 82 mm
Ambient temperature	-5-70 °C
IP rating	IP 40
Examples of possible top hat rail construction components	GEZE NT 1.5 A-24 V HS power supply GEZE NT 2.5 A-24 V HS power supply GEZE NT 4.2 A-24 V HS power supply each with IQ gear or other top hat rail construction components with the max. dimensions (W x H x D) [mm]: 119 x 93 x 53

ORDER INFORMATION

Designation	ID no.
Surface-mounted housing	152010

Surface-mounted housing



Surface-mounted housing
(152010)



Surface-mounted housing, cascaded
(152010)

Marking and signalisation

Signal horn (072112)

For acoustic alarm indication
 Surface- or flush-mounted installation
 Dimensions for surface mounting (dia. x H)
 111 x 25.5 mm
 Dimensions for flush mounting 81 x 81 x 62.5 mm
 26 settings for signal tone
 Signal horn 24 V

Flashlight (089353)

For visual alarm indication
 Surface-mounted installation
 Dimensions (ø x H) 93 x 72 mm

Information labels

Dimensions (H x B x D) 52 x 148 x 1 mm
 Plastic, not adhesive

ORDER INFORMATION

Designation	Version	ID no.
"Ventilation" information label		025647
"Smoke vent" information label		005158
BLE 220 flashlight AP	red	089353
SLH 220 signal horn AP	white	072112

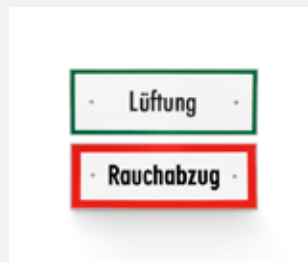
Signal horn, flashlight, information label



SLH signal horn (072112)



BLE 220 flashlight (089353)



Ventilation information label (025647)
 Smoke vent information label (005158)

Safety scissors

SAFETY SCISSORS NO. 35

Area of application

- Designed for bottom-hung leaves
- For use when fitting a chain drive to a bottom-hung window
- Installation on wooden, plastic or metal windows
- Leaf and frame installation

Product features

- Enable a permanent fixed connection between the window frame and the window leaf
- Can be used from a leaf height of 300 mm
- Depending on the leaf height and leaf weight, an opening width of up to approx. 700 mm can be achieved
- Two safety scissors are needed per window leaf

SAFETY SCISSORS NO. 60

Area of application

- Designed for bottom-hung leaves
- For use when fitting a chain drive to a bottom-hung window
- Installation on wooden, plastic or metal windows
- Leaf and frame installation

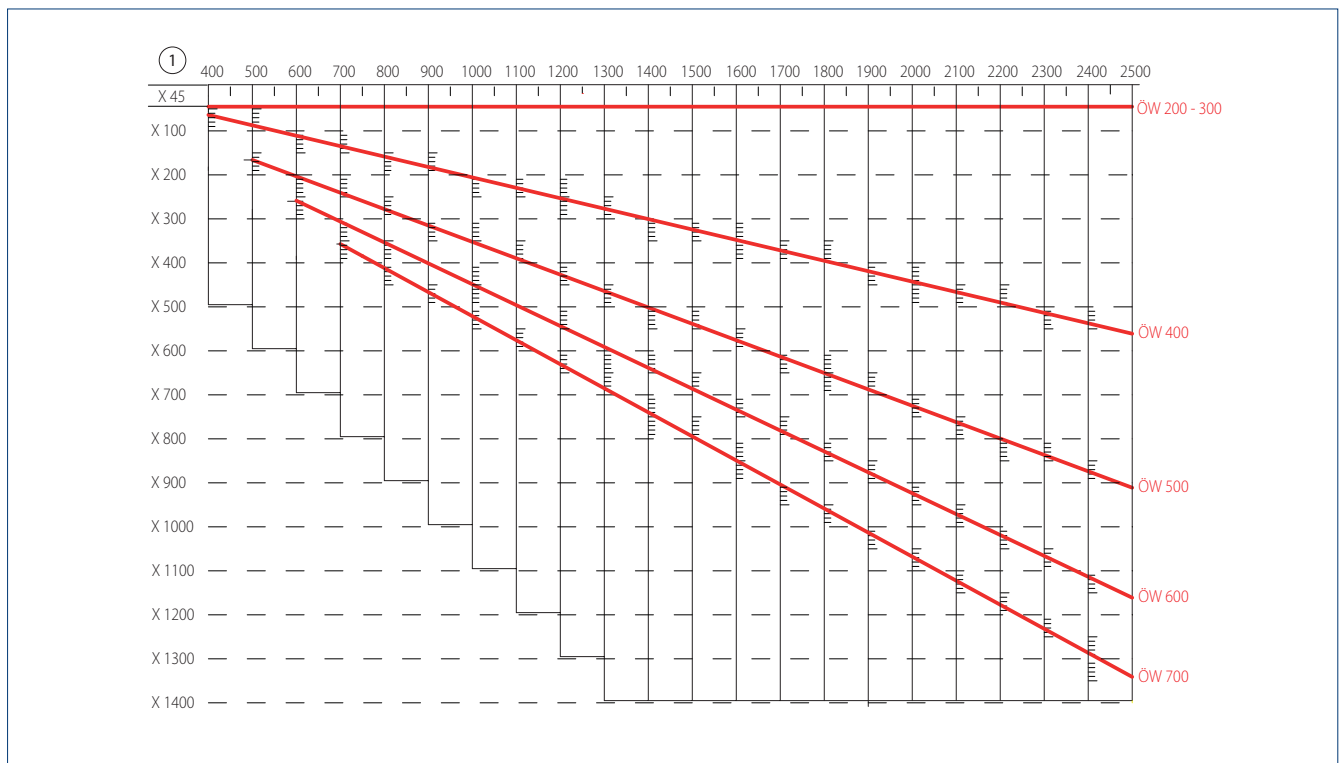
Product features

- Enable a permanent fixed connection between the window frame and the window leaf
- Can be used from a leaf height of 700 mm
- Depending on the leaf height and leaf weight, an opening width of up to approx. 1200 mm can be achieved
- Two safety scissors are needed per window leaf

SAFETY SCISSORS – INSTALLATION

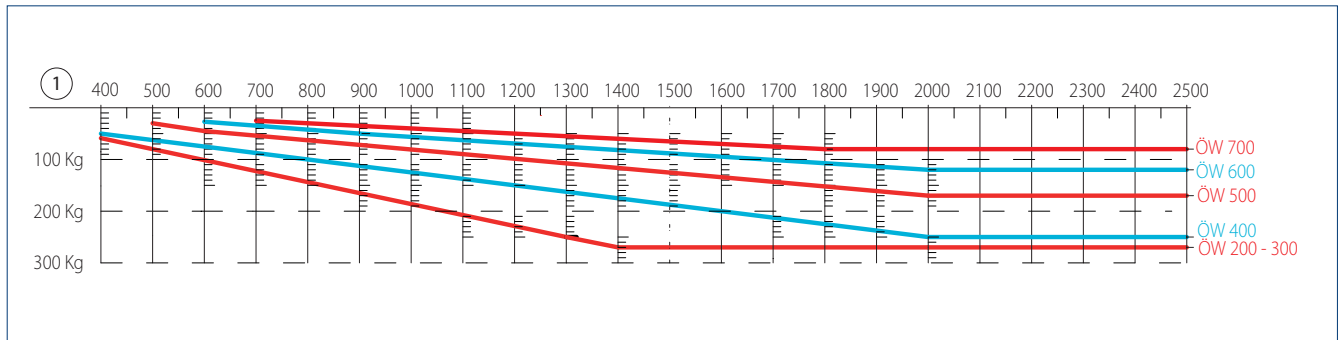
DETERMINATION OF INSTALLATION DIMENSION X FOR SAFETY SCISSORS NO. 35

FOR-OPENING WIDTHS 200, 300, 400, 500, 600 AND 700 MM



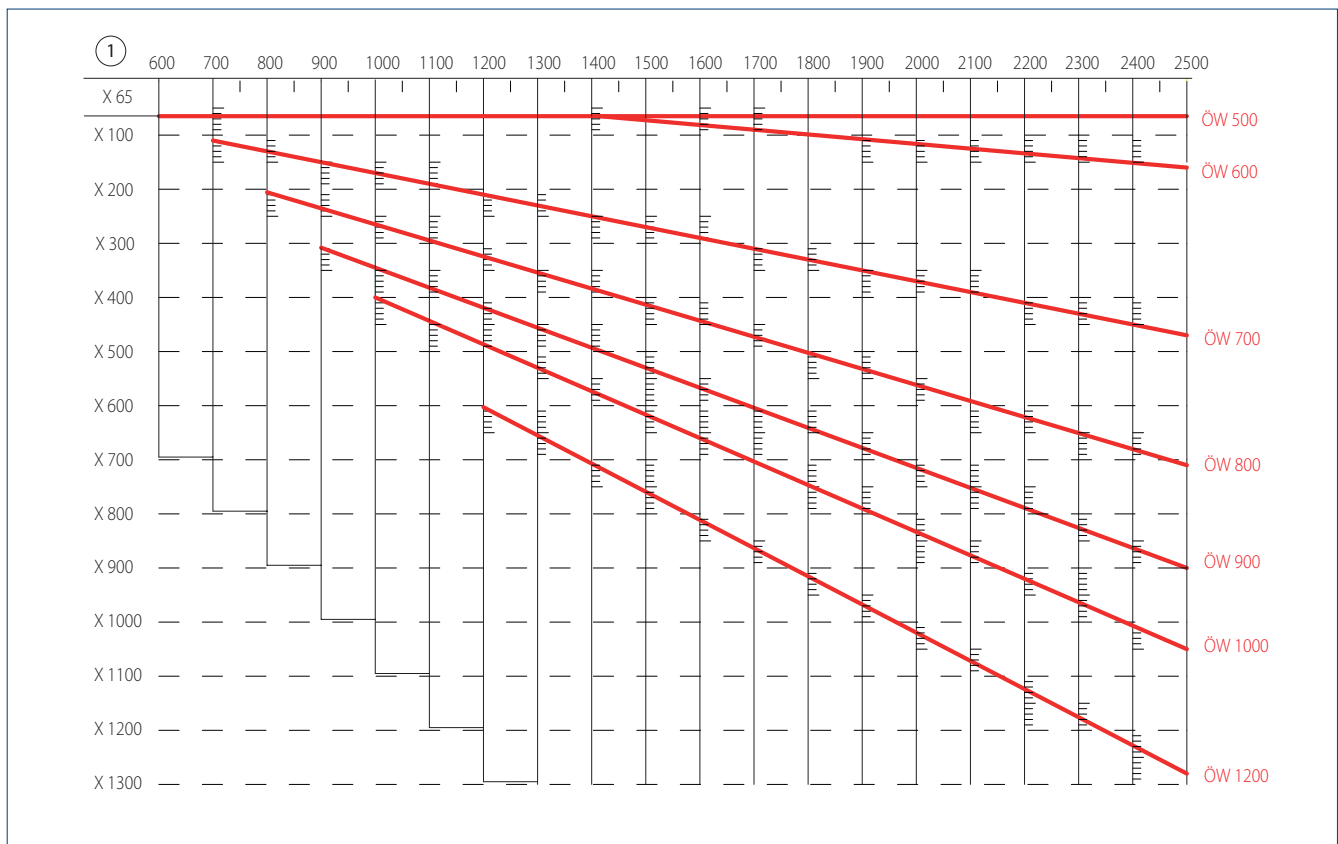
ÖW = Opening width | X = Installation dimension | 1 = Leaf height

LEAF WEIGHT (MAX.) IN KG FOR DETERMINED DIMENSION X AND SPECIFIED OPENING WIDTH FOR 2 SAFETY SCISSORS NO. 35 PER WINDOW



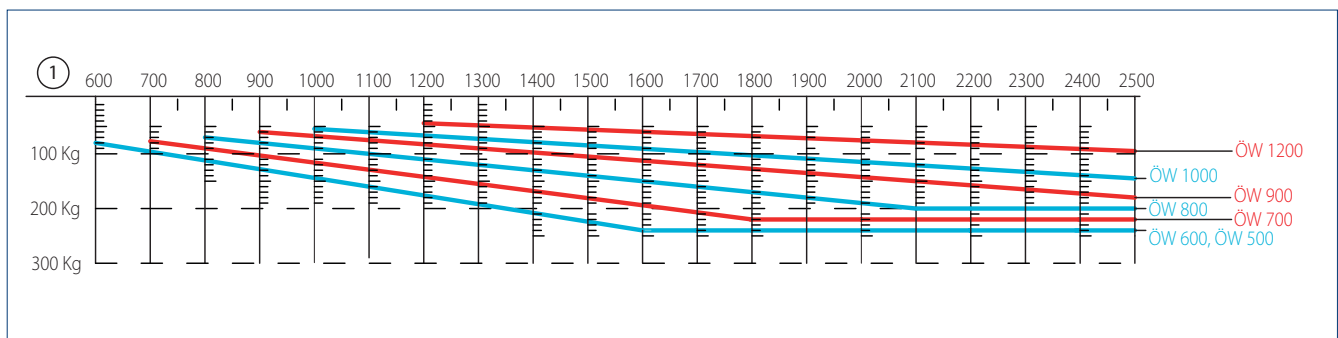
ÖW = Opening width | l = Leaf height

DETERMINATION OF INSTALLATION DIMENSION X FOR SAFETY SCISSORS NO. 60 FOR-OPENING WIDTHS 500, 600, 700, 800, 900, 1000 AND 1200 MM



ÖW = Opening width | X = Installation dimension | l = Leaf height

LEAF WEIGHT (MAX.) IN KG FOR DIMENSION X DETERMINED AND GIVEN-OPENING WIDTH FOR 2 SAFETY SCISSORS NO. 60 PER WINDOW



ÖW = Opening width | l = Leaf height

ORDER INFORMATION

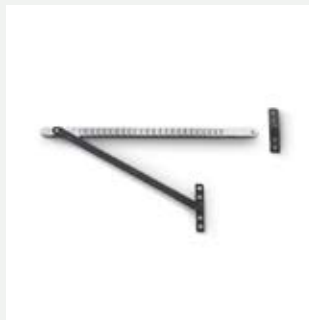
Designation	Version	ID no.
Safety scissors no. 35	galvanised	014499
Safety scissors no. 60	galvanised	133814
ACCESSORIES		
Mounting plates for gripping and cleaning scissor stay For aluminium windows (mounting parts for leaf and frame)		030252
Mounting plates for gripping and cleaning scissor stay for PVC windows (mounting parts for leaves with Euro groove and frame)	galvanised white	070182 030253
Frame shims for gripping and cleaning scissor stay for PVC windows	3 mm 5 mm	029334 029335
Frame shims for gripping and cleaning scissor stay for PVC windows with inclined rebate		030383
Leaf shims for gripping and cleaning scissor stay	4 mm 5 mm 7 mm 8 mm 9 mm	009324 009325 013305 025635 009321
Frame shims for gripping and cleaning scissor stay aluminium windows	3 mm 5 mm	009326 009328
Frame or leaf shim	7 mm 8 mm 9 mm 5 mm	135013 135012 135011 135014
Leaf shim		135015
Frame shim	5 mm 3 mm 5 mm 3 mm	135016 135017 135019 135018
Frame shim for inclined rebate		135020

Note: When using a chain drive to operate (open/close) bottom-hung windows, there is a potential danger of the window leaf falling, presenting a considerable danger to life and limb of people in the vicinity. For bottom-hung windows, GEZE thus prescribes the mandatory use of separate 'GEZE safety scissors' that are not connected with the drive. The use of safety scissors on a bottom-hung window that is operated by at least two chain drives is recommended by GEZE, but is not mandatory. The GEZE safety scissors ensure that a permanent fixed connection between the frame and leaf is guaranteed – independently of the drive. The driven bottom-hung window is only safely protected against falling if GEZE safety scissors are used. The opening width must be taken into account when selecting the safety scissors. The GEZE processing and installation guidelines must be observed during installation of the scissors. Two scissors must always be installed! The relevant supports must be used to ensure secure fixing. For details of the permissible leaf weights and fitting dimensions, please refer to installation instructions no. 134433 and installation drawing 41314 EP-001.

Safety scissors



Safety scissors no. 35 (014499)



Safety scissors no. 60 (133814)

Synchronising units

Synchronising unit E 212 R1

This synchronising unit is suitable for GEZE electric linear drives E 212 R1 and the scissor drive E 170.

Service case

The service case has been designed especially for the simple and fast commissioning and parameter setting of IQ windowdrive.

Product features:

- Compact stand-alone solution in a handy case
- Integrated rechargeable batteries for simple commissioning of the drives even without on-site current connection
- 230 V connection for charging and continuous operation
- Alarm and ventilation mode for early "official approval" of automated windows on site
- Connecting possibility for the ST 220 service terminal for simple parameter setting for the IQ windowdrive
- Maximum output current of 5.5 A makes the commissioning of Syncro sets with several drives possible
- Ammeter for diagnosis
- Can also be used for 24 V drives without LIN bus

ORDER INFORMATION

Designation	ID no.
Synchronising unit for GEZE electric drive E 212 R1 230 V	026762
Service case GEZE IQ windowdrive	142586
LIN parameter setting adapter - Enables the connection of the GEZE ST 220 service terminal to the GEZE Slimchain 230 V chain drive for parameter settings via LIN-BUS	179238

ACCESSORIES

Connector cable ST 220 mini DIN	142581
---------------------------------	--------

ST 220 service terminal: Parameter setting and diagnosis for TZ 320, TE 220, automatic sliding and swing door systems 087261 from DCU software V3.0 and IQ windowdrive, battery operation with 4xAA cells (not supplied by GEZE), plain text display on illuminated panel, keypad for operation

Synchronising units



Synchronising unit E 212 R1
(026762)



Service case
(142586)



Service Terminal ST 220
(087261)



LIN parameter setting adapter
(179238)



WINDOWS

Software

Simple calculations: WinCalc, the GEZE configurator for window technology completes" the complicated calculations relating to the system design for a window: saves times, is user friendly and convenient. Calculations are possible for manual and electromotive ventilation windows, Smoke and heat extraction systems as well as natural smoke and heat exhaust ventilation devices. The program performs all calculations and comes up with usable drive solutions ensuring uncomplicated planning and calculation of GEZE window technology.



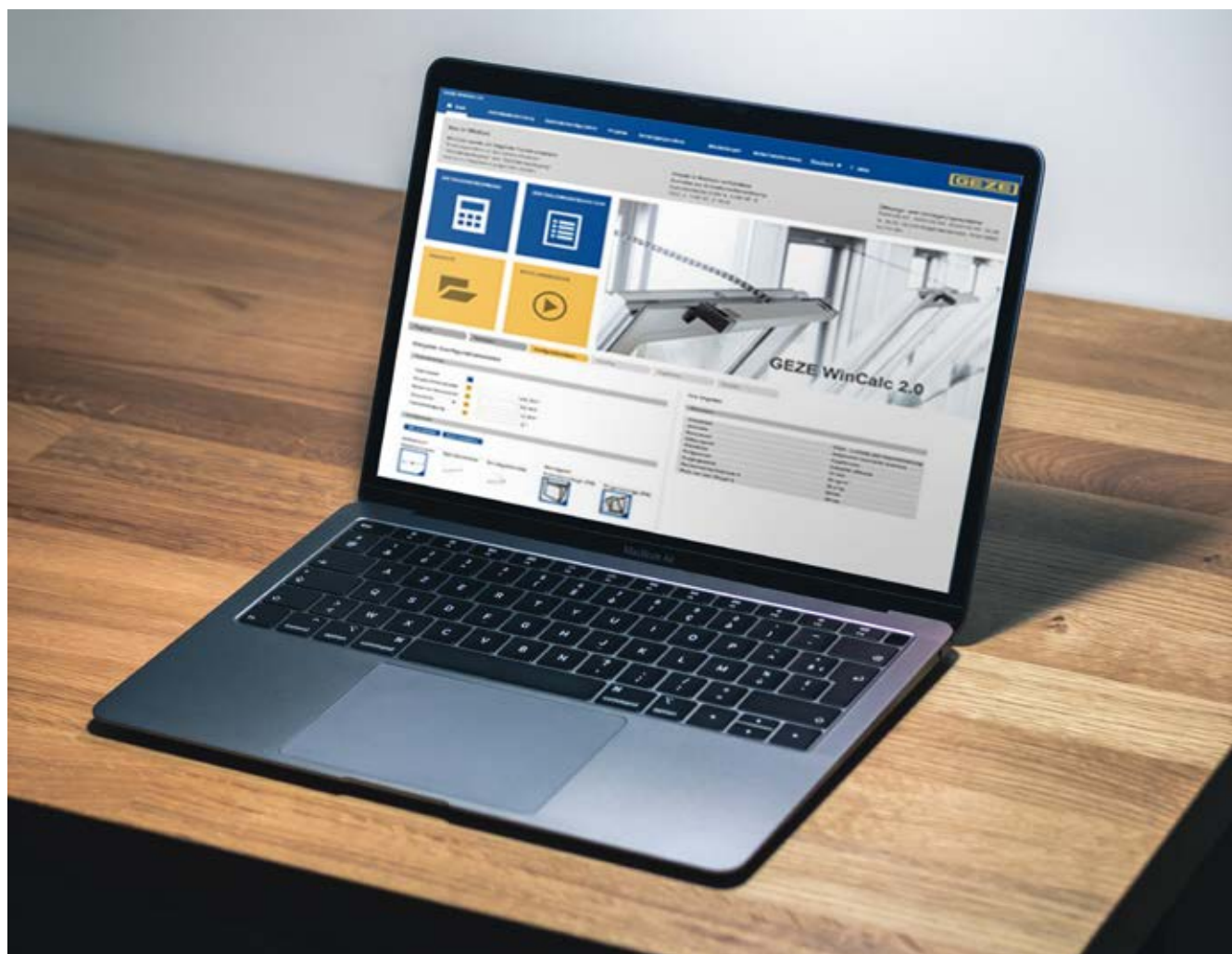
GEZE WinCalc

THE CALCULATION PROGRAMME FOR WINDOW TECHNOLOGY

With the WinCalc calculation program, GEZE provides an additional service tool. WinCalc "completes" the complicated calculations relating to the system design for a window, and makes it easy for installation engineers and planners to find the ideal drive solution for a window. Saves time, is user-friendly and convenient. Automatic calculations and dimensioning, the option of simply comparing results and the clear presentation of results and bills of materials all make it easier to handle GEZE window technology products. It is possible to make calculations for manual and electrically operated ventilation and smoke extraction windows, as well as for natural smoke and heat exhaust ventilation devices. All relevant window components and combinations tested by GEZE in accordance with EN 12101-2 are stored in the natural smoke and heat exhaust ventilation device calculation. All that remains to do for the user of WinCalc is to enter the dimensions of the required window. The programme then performs all the calculations, such as drive load and opening areas and outputs all the applicable drive

solutions.

With the help of the control unit configuration, it is also possible to ascertain an appropriate smoke and heat extraction control panel for a building-specific window list. The composition of the control unit (type, possible MBZ 300 modules, alarm and vent groups, connection of the drives) is compiled automatically. With the selected accessories, the complete smoke and heat extraction system can be presented. An interface to the GEZE system shop makes it easy to submit an enquiry and order for the calculated components from the drive solution to the smoke and heat extraction control panel. WinCalc can be found on the GEZE partner portal.



We are GEZE.

For liveable buildings

GEZE stands for innovation, high quality and comprehensive support of building technologies. From the initial idea, planning and operational implementation with standard products to customised system solutions and individual service and maintenance plans. We offer an extensive product range of door, window and safety technology products and are a major driving force behind the digital networking of building automation.

GEZE GmbH

Reinhold-Vöster-Straße 21 – 29
71229 Leonberg
Deutschland

Telefon: +49 7152 203 0

Telefax: +49 7152 203 310

E-Mail: info.de@geze.com

www.geze.de