

The pioneers.
Flat roof accessories since 1962.

b's't

Experience
Individuality
Flexibility
Reliability
Quality.

valid from
01/03/2022

Product range

Contact

Central Office

Phone +49 (0)8051 69 09 70
Fax +49 (0)8051 69 09 79

Business Hours

Mon-Thu 07:00 – 12:00 und 13:00 – 17:00
Fri 07:00 – 12:00 und 13:00 – 15:00

Sales

E-mail vertrieb@bst-gmbh.de

MARKUS MAYER

Sales Manager / Authorized Officer

Phone +49 (0)8051 69 09 75
E-mail markus.mayer@bst-gmbh.de

SABEDIN VOKRRI

Phone +49 (0)8051 69 09 73
E-mail sabedin.vokrri@bst-gmbh.de

FRANZISKA REITER

Phone +49 (0)8051 69 09 77
E-mail franziska.reiter@bst-gmbh.de

MARKUS JÄKEL

Phone +49 (0)8051 69 09 71
E-mail markus.jaekel@bst-gmbh.de

Service

info@bst-gmbh.de

ADRIJANA NOVAK

Phone +49 (0)8051 69 09 76
E-mail adrijana.novak@bst-gmbh.de

VÉRONIQUE ARINI-ERLINGER

Phone +49 (0)8051 69 09 72
E-mail veronique.arini-erlinger@bst-gmbh.de

KATHARINA TAUSCHER

Phone +49 (0)8051 69 09 67
E-mail katharina.tauscher@bst-gmbh.de

TESSA SCHMID

Phone +49 (0)8051 69 09 68
E-mail tessa.schmid@bst-gmbh.de

Application Technology

technik@bst-gmbh.de

MAXIMILIAN SCHÖLL

Phone +49 (0)8051 69 09 66
E-mail maximilian.schoell@bst-gmbh.de

MICHAEL ZIMMERMANN

Phone +49 (0)8051 69 09 62
E-mail michael.zimmermann@bst-gmbh.de

MARCUS KUSIAN

Phone +49 (0)8051 69 09 64
E-mail marcus.kusian@bst-gmbh.de

Calculation Service

Free calculation service at

E-mail technik@bst-gmbh.de

The Pioneer. Flat roof accessories since 1962.



b/s/t



HOW WE SEE OURSELVES

Marrying innovation with craftsmanship and ingenuity, all the while remaining faithful to our traditional roots: b/s/t creates intelligent, made-to-measure product solutions for flat roofs. Simplicity is key: our business, processes and products are based on clarity, experience, reliability and quality.



MANUFACTURING

We manufacture the majority of our products, particularly the plastic components, ourselves here at b/s/t.

↓
**Three generations
and more than 50 years
of company history**

THE MANAGEMENT TEAM
Hans-Jürgen Koch and his two sons,
Sebastian and Johannes Koch.



FAST AND SECURE
Built-in components from b/s/t
come ready fitted with connecting
sleeves to match the roof sealing.



b/s/t. The pioneers. Flat roof accessories since 1962.

THE MANAGEMENT TEAM: HANS-JÜRGEN KOCH,
JOHANNES AND SEBASTIAN KOCH

What made you want to manufacture products for flat roofs?

HJK In the 1920s, my grandfather made paints, seals and mastics from tar and bitumen. My father set up the business at Rimsting am Chiemsee in 1948. In 1952 we were the first to have the idea of replacing a bitumen roof with PVC roofing strips. We started by testing the seals on railway cars and under various climate conditions; after about 10 years, we found we needed to design accessories for a functioning flat roof too. Our products were simple, technically sound and were proven to work. The foundations of b/s/t were laid.

In the 1950s, flat roofs were all the rage ...

JK That's right, flat roofs expressed an avant-garde architectural language of forms. When it came to making accessories for flat roofs, my grandfather was a real pioneer.

Do you feel like you're pioneers too?

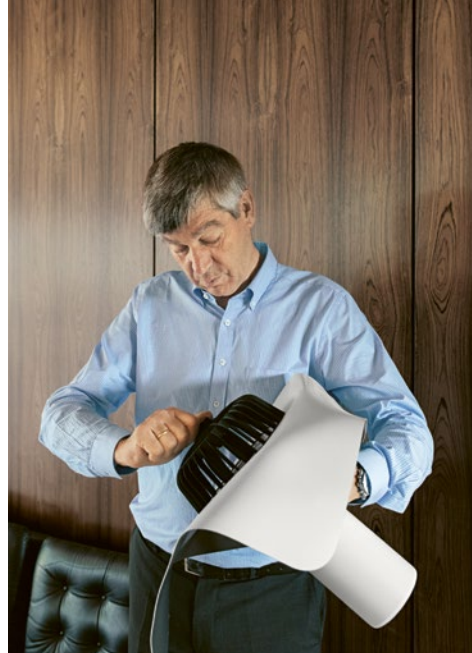
JK We've always been pioneers – innovation runs in our family. Our great-grandfather originally designed cars. Our grandfather revolutionised the flat roof seal. As well as developing b/s/t further, our father shaped the textile architecture branch with our sister company, Koch Membranen GmbH Kunststofftechnologie. As his sons, our role is to now ensure that this family history continues over the years and generations to come.

What is it exactly that accessories do in a building?

HJK Our products may look plain and have little impact on design in most cases, but they are extremely important in terms of their function – that is, solving the critical issues in flat roof sealing. While accessories are only a small part of a building, the consequences for the whole building can be disastrous if they go wrong. Which is why quality is always paramount as far as we're concerned.

What does the future hold for b/s/t?

SK The characteristic features of our quality will remain: simple, flexible, individualised, hand-made, high-quality products in tandem with a reliable service in which we strive to meet tight deadlines and strengthen our regional networks. Moreover, we will be integrating the benefits presented by the younger generation: new ways of communicating, cutting-edge technology, optimised procedures and perhaps even the latest innovative product development soon.



↑
HANS-JÜRGEN
KOCH

↑
SEBASTIAN UND JOHANNES
KOCH

MANAGE-
MENT



Recognising necessities

SALES

What can b/s/t's customers expect from you?

We offer our customers a comprehensive range of accessories for their specific flat roof. Every product is customised. Our clients are based in 24 countries across Europe. We work with local sales partners who speak the relevant language and are conscious of the specific needs of that country.

How does your 24-hour service work?

We manufacture the majority of our products in line with the specific requirements of each respective project here in-house. When required and providing it is technically feasible, we deliver within 24 hours. We know that timing can be very critical at construction sites at times. With this in mind, we do our utmost to tailor our production to meet our customers' requirements.

Service means ...

... offering customers exactly what they need – not necessarily always what they want. It's our job to ascertain the subtle difference between these two things. It's an important step in guaranteeing quality.



Simple but functional

TECHNOLOGY

What's so special about your products?

Most of our products come about as a result of practical use and are simple but functional. Each fitted part comes with a connecting sleeve, so our customers can work faster and more surely. We're known in the industry for special solutions when it comes to working with plastics. Even our competitors recommend us.

What are your customers' technical requirements?

We help them by providing technical support with guidelines for use and standards, calculations for draining flat roofs or holding roof seals safely in place. Dimensioning drainage is an art in itself; getting the results wrong can be dangerous. That's where our expert knowledge really comes in to play.

How would you describe your production processes?

We manufacture the majority of our products, above all the plastic components, here in-house. Semi-finished materials are combined to create a completed product. Most are hand-made by specialists. Our team is highly versatile and experienced.



→
MICHAEL
ZIMMERMANN

QUICKLY AND SAFELY

b/s/t built-in parts are already provided with a connecting collar corresponding to the roof sealing.



←
MARKUS
MAYER



Mastering craftsmanship

PRODUCTION



CUSTOMISED PRODUCTS

We take semi-finished materials and combine them to create a customised product.



QUALITY ASSURANCE

We use specialist processing machines, we are highly quality-conscious and we put in place stringent quality control measures in order to guarantee the high standards we place on our products.





WHAT WE OFFER

Quality through simple functionality: b/s/t offers a full range of flat roof accessories, competent professional consultancy and design support. We work in 24 countries, tailoring everything to suit our customers' needs for customised or special products. b/s/t stands for simple, tailor-made solutions, lasting quality and reliable service. Your projects provide our motivation.



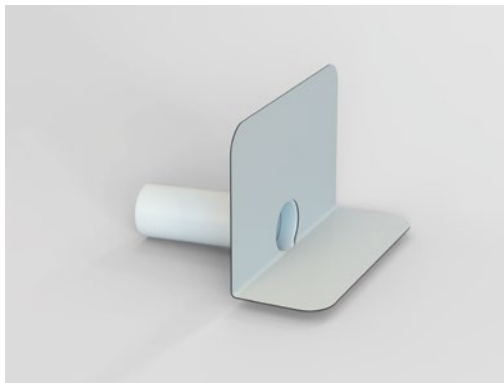


SERVICE

Personal support and service for professional planning and implementation of your Flat Roof solutions

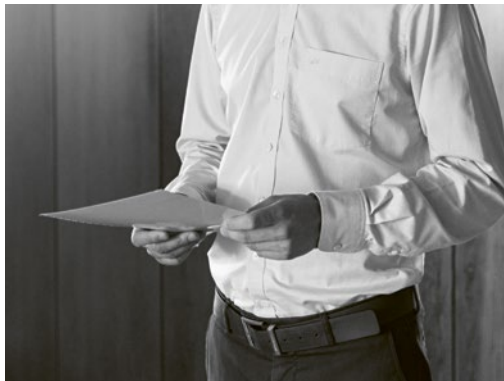


- [DRAINAGE CALCULATIONS](#)
- [SNOW GUARD CALCULATIONS](#)
- [WIND UPLIFT CALCULATIONS](#)
- [SPECIAL SOLUTIONS](#)
- [SOLAR SUPPORT CALCULATIONS](#)



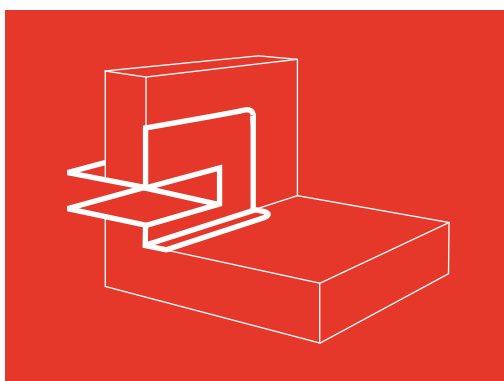
Free calculation service

We offer a free calculation service for emergency drainage, suction protection, snow guard systems and much more.



Personal technical advice

If you have any technical questions about b/s/t flat roof accessories or if you have any questions about our calculations, our technical team will be happy to assist you.



Online calculation tool

With the online calculation tool you can quickly and easily determine the discharge capacity of round and rectangular b/s/t gargoyles and emergency overflows.

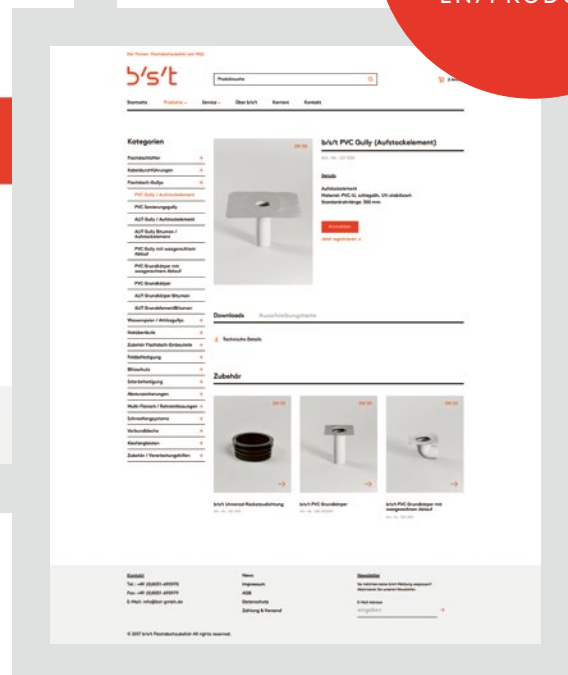
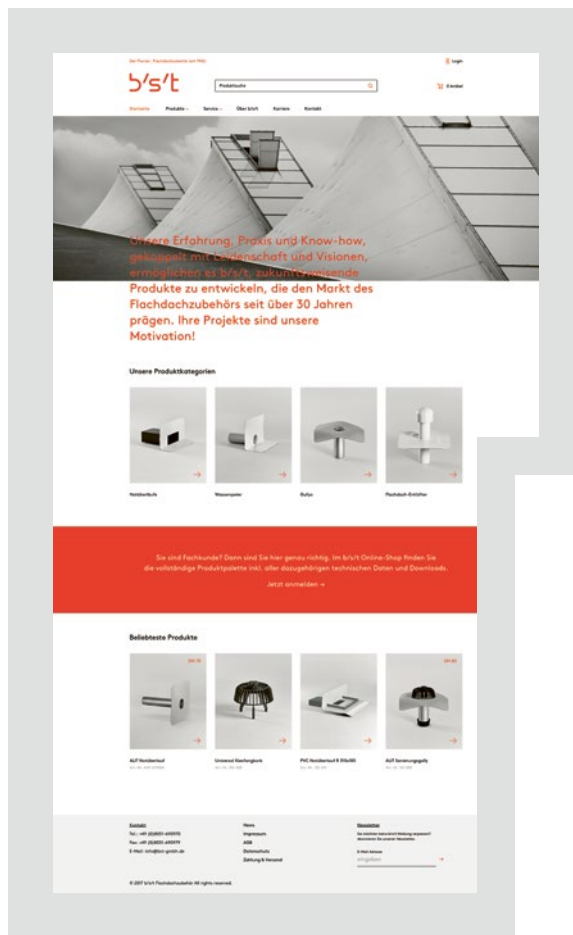
You will find the calculation tool under „Service“ at www.bst-gmbh.de

b/s/t Online-Shop – fast and simple: www.bst-gmbh.de

Now you can send us your order easily and conveniently at any time with the b/s/t Online Shop. To use all the shop features, we kindly ask you to register before your first visit. After entering your details you will receive an email with your personal login data. You will find plenty of in-depth information and planning information for b/s/t's extensive product range.

Your benefits at a glance

- Fast, easy ordering
- Information on the latest products
- Extensive information on our product range and matching accessories
- All the relevant technical details for professional planning and assembly



- 1/ Vapour Barrier Connection

- 2/ Flat Roof Vents

- 3/ Cable Ducts

- 4/ Moisture Control

- 5/ Flat Roof Drains

- 6/ Parapet Drainage

- 7/ Accessory Parts

- 8/ Fastening System

 - Fastening System
 - Lightning Protection
 - Solar Panel Fastening System
- 9/ Fall Protection Systems

 - Fall Protection
 - Pipe Surrounds
- 10/ Snow Guard Systems

- 11/ Coated Metal / Profiles

 - Metal Sheet
 - Gravel Stop Rail
 - Paving Border Rail
- 12/ Processing Material / Aids

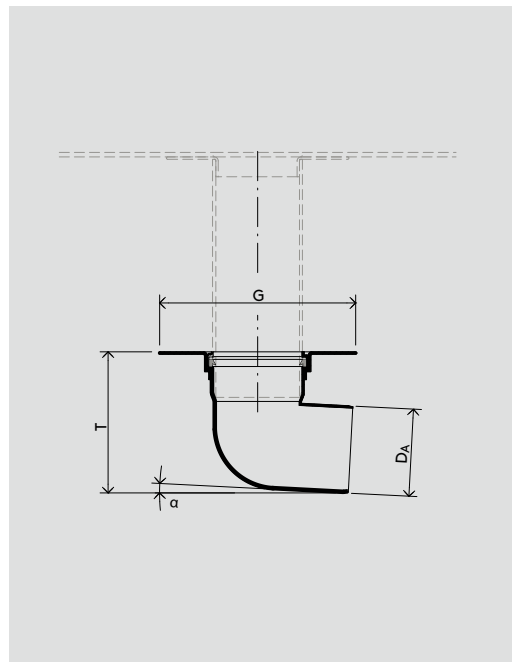
- 13/ Membrane Flange / Other

 - Membrane Flange
 - General Terms and conditions of sale

b/s/t PVC Elbow Pipe Socket

Specification ← Material
 PVC-U, high impact strength,
 UV-stabilised

Including a sealing ring,
 suitable for all stacking elements



WG 1113 ←

| Nominal Width | Product No. | $D_A \text{Ø}$ [mm] | G [mm] | T [mm] | α [°] |
|---------------|-------------|---------------------|--------|--------|--------------|
| DN 50 | 120-050 | 50 | 150 | 103 | 3 |
| DN 70 | 120-070 | 75 | 200 | 130 | 3 |
| DN 100 | 120-100 | 110 | 250 | 180 | 3 |
| DN 125 | 120-125 | 125 | 260 | 200 | 3 |
| DN 150 | 120-150 | 160 | 300 | 250 | 3 |

b/s/t PVC Deck Drain

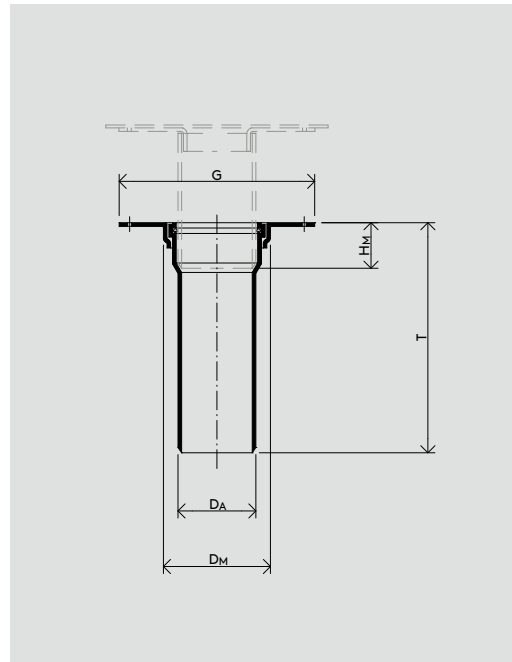
Specification ← **Material**
PVC-U, high impact strength,
UV-stabilised

Pipe length
300 mm

Including a sealing ring,
suitable for all stacking elements

Different colour of pipe
DN 200, DN 250, DN 300
similar to RAL 7011

Special model*
Pipe length 600 mm



WG 1113 ←

| Nominal Width | Product No. | $D_A \emptyset$ [mm] | $D_M \emptyset$ [mm] | G [mm] | H_M [mm] | T [mm] |
|---------------|-------------|----------------------|----------------------|--------|------------|--------|
| DN 50 | 128-050300 | 50 | 69.5 | 200 | 40 | 300 |
| DN 70 | 128-070300 | 75 | 93.5 | 200 | 50 | 300 |
| DN 100 | 128-100300 | 110 | 130.0 | 250 | 65 | 300 |
| DN 125 | 128-125300 | 125 | 150.0 | 260 | 75 | 300 |
| DN 150 | 128-150300 | 160 | 185.0 | 300 | 90 | 300 |
| DN 200 | 128-200300 | 200 | 230.0 | 400 | 105 | 300 |
| DN 250* | 128-250300 | 250 | 285.0 | 500 | 120 | 300 |
| DN 300* | 128-300300 | 315 | 350.0 | 500 | 130 | 300 |

* Custom-made products cannot be returned.

Status: 03/22 b/s/t GmbH Koch Kunststofftechnologie reserves the right to make technical modifications.

b/s/t ALIT Deck Drain Bitumen

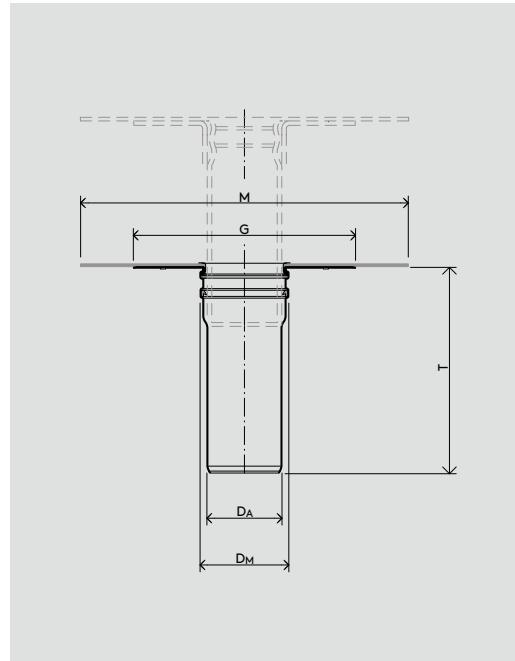
Specification ← Material
Aluminium

Pipe length
300 mm

Including a sealing ring,
suitable for all stacking elements

Membrane flange
SBS bitumen roofing membrane

For connection to bitumen vapour barrier



WG 1213 ←

| Nominal Width | Product No. | $D_A \varnothing$ [mm] | $D_M \varnothing$ [mm] | $G \varnothing$ [mm] | $M \varnothing$ [mm] | T [mm] |
|---------------|-------------|------------------------|------------------------|----------------------|----------------------|--------|
| DN 70 | A128-B070 | 75 | 92 | 325 | 480 | 300 |
| DN 100 | A128-B100 | 110 | 130 | 325 | 480 | 300 |
| DN 125 | A128-B125 | 125 | 142 | 325 | 480 | 300 |
| DN 150 | A128-B150 | 160 | 178 | 325 | 480 | 300 |

b/s/t ALIT Deck Element

Renovation element

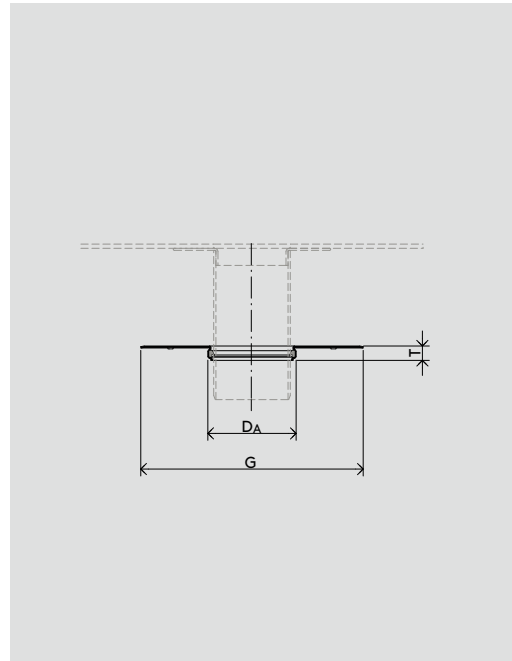
Specification ←

Material
Aluminium

Including a sealing ring, suitable for all stacking elements and round horizontal outlets

Membrane flange
Without membrane flange

For connection to vapour barrier



WG 1213 ←

| Nominal Width | Product No. | $D_A \varnothing$ [mm] | $G \varnothing$ [mm] | T [mm] |
|---------------|-------------|------------------------|----------------------|--------|
| DN 50 | A129-050 | 65 | 325 | 61 |
| DN 70 | A129-070 | 90 | 325 | 21 |
| DN 100 | A129-100 | 129 | 325 | 21 |
| DN 125 | A129-125 | 143 | 325 | 23 |
| DN 150 | A129-150 | 183 | 325 | 24 |

b/s/t ALIT Deck Element Bitumen

Renovation element

Specification ←

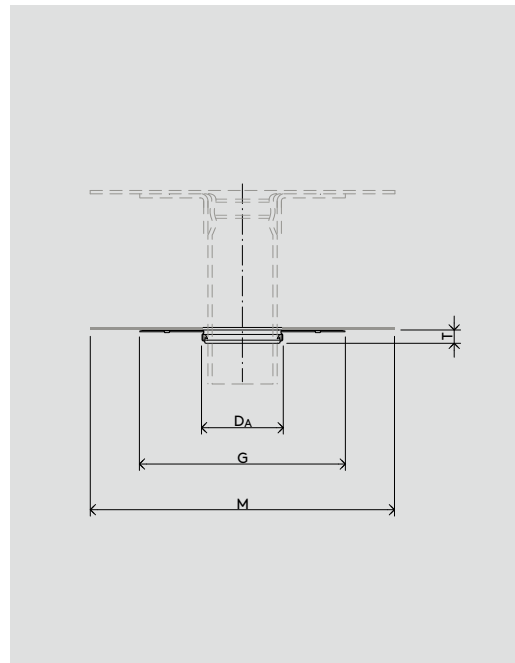
Material
Aluminium

Including a sealing ring, suitable for all stacking elements and round horizontal outlets

Membrane flange

SBS bitumen roofing membrane

For connection to bitumen vapour barrier

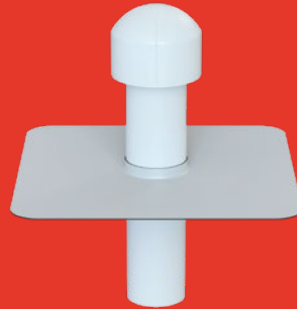


WG 1213 ←

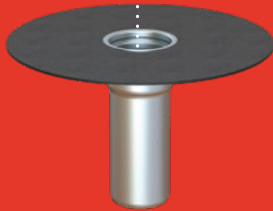
| Nominal Width | Product No. | $D_A \varnothing$ [mm] | $G \varnothing$ [mm] | T [mm] | $M \varnothing$ [mm] |
|---------------|-------------|------------------------|----------------------|--------|----------------------|
| DN 70 | A129-B070 | 90 | 325 | 21 | 480 |
| DN 100 | A129-B100 | 129 | 325 | 21 | 480 |
| DN 125 | A129-B125 | 143 | 325 | 23 | 480 |
| DN 150 | A129-B150 | 182 | 325 | 27 | 480 |

Installation Sample: PVC/EVA – Roofing Membrane + Vapour Barrier

Modular System ←
can be com-
bined with all
Vents (see
page 15).



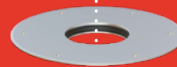
PVC Vent
(see page 15)



ALIT Deck Drain Bitumen
(see page 6)



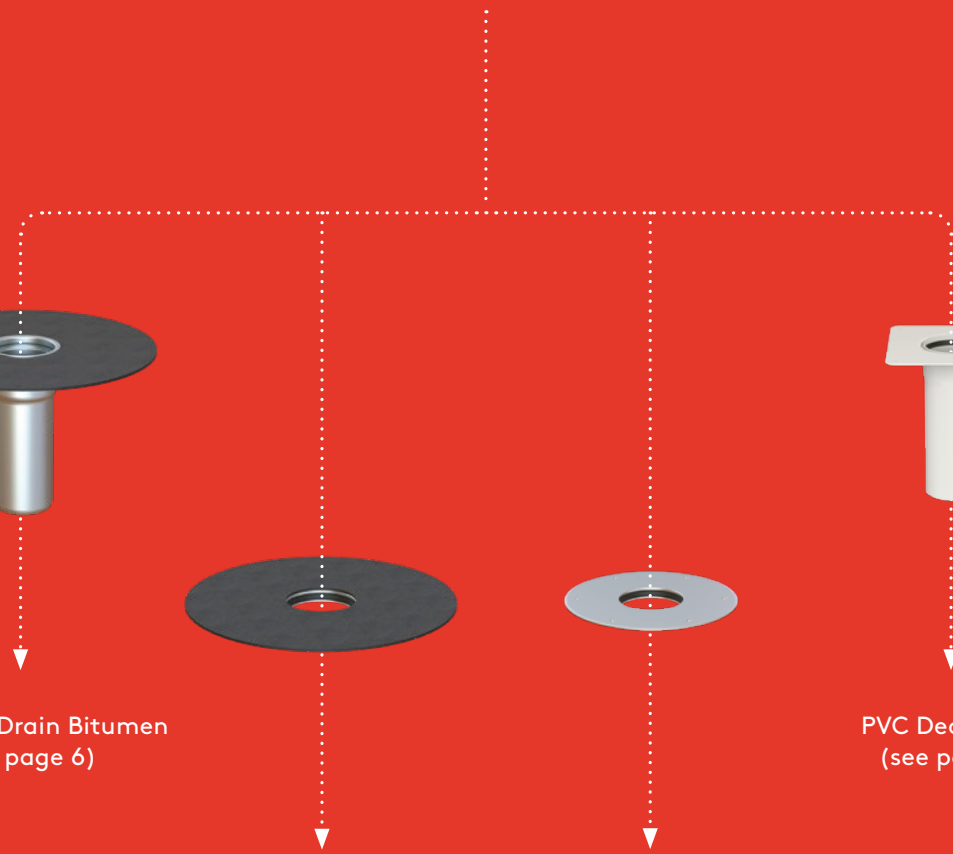
ALIT Deck Element Bitumen
(see page 8)



ALIT Deck Element
(see page 7)



PVC Deck Drain
(see page 5)



b/s/t PVC Sewage Vent WD

Stacking element

Specification ←

MaterialPVC-U, high impact strength,
UV-stabilisedMaximum pipe length

max. 1000 mm

Different colour of pipeDN 200, DN 250, DN 300
similar to RAL 7011Base plate

Inclination of 25° max. for DN 70 - 150

Inclination of 5° max. for DN 200 - 300

Membrane flange

PVC, EVA (see page 158)

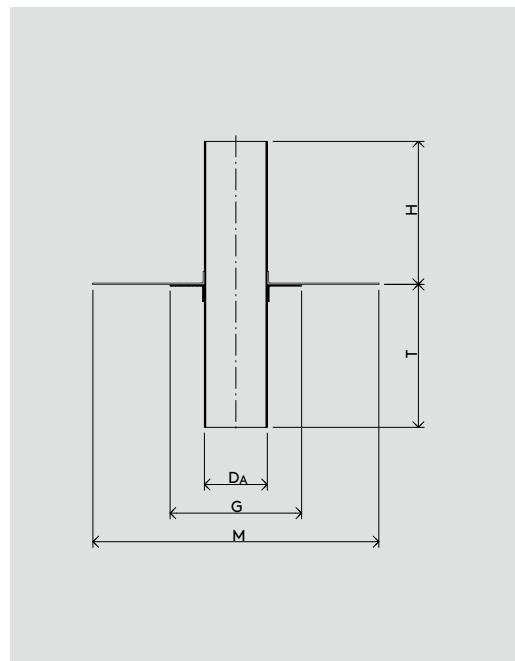
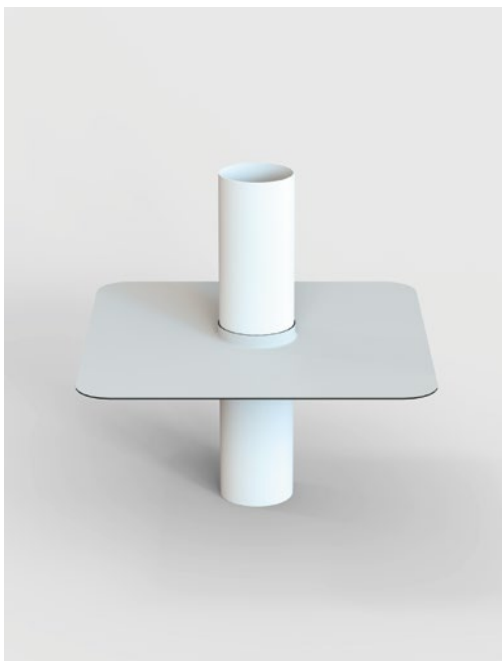
INFO

Please order ←
membrane
flange
separatelySpecial models ←
on request*

up to 25°



Ø up to 300



WG 1111 ←

| Nominal Width | Product No. | $D_A \text{ [mm]}$ | $AL^{**} \text{ [cm}^2\text{]}$ | $G \text{ [mm]}$ | $M \text{ [mm]}$ | $H \text{ [mm]}$ | $T \text{ [mm]}$ |
|---------------|-------------|--------------------|---------------------------------|------------------|------------------|------------------|------------------|
| DN 50 | 110-WD050 | 50 | 17 | 150 | 300 | 250 | 250 |
| DN 70 | 110-WD070 | 75 | 40 | 200 | 350 | 250 | 250 |
| DN 80 | 110-WD080 | 90 | 56 | 200 | 350 | 250 | 250 |
| DN 100 | 110-WD100 | 110 | 87 | 230 | 500 | 250 | 250 |
| DN 125 | 110-WD125 | 125 | 113 | 230 | 500 | 250 | 250 |
| DN 150 | 110-WD150 | 160 | 185 | 280 | 500 | 300 | 250 |
| DN 200* | 110-WD200 | 200 | 268 | 400 | 580 | 300 | 250 |
| DN 250* | 110-WD250 | 250 | 415 | 400 | 580 | 300 | 250 |
| DN 300* | 110-WD300 | 315 | 695 | 500 | 680 | 300 | 250 |

* Custom-made products cannot be returned.

** AL = ventilation cross-section

Status: 03/22 b/s/t GmbH Koch Kunststofftechnologie reserves the right to make technical modifications.

b/s/t PP Sewage Vent WD

Stacking element

Specification ←

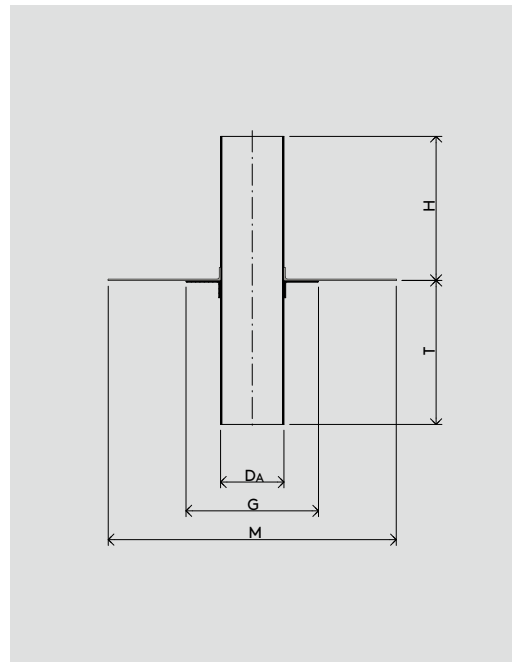
Material
PP, high impact strength,
UV-stabilised

Membrane flange
PP (see page 159)

Maximum pipe length
max. 1000 mm

INFO Please order ←
membrane
flange
separately

Special models ←
on request*



WG 2111 ←

| Nominal Width | Product No. | DAØ [mm] | AL** [cm²] | G [mm] | M [mm] | H [mm] | T [mm] |
|---------------|-------------|----------|------------|--------|--------|--------|--------|
| DN 50 | PP110-WD050 | 50 | 15 | 200 | 350 | 250 | 250 |
| DN 70 | PP110-WD070 | 75 | 39 | 200 | 350 | 250 | 250 |
| DN 80 | PP110-WD080 | 90 | 56 | 200 | 350 | 250 | 250 |
| DN 100 | PP110-WD100 | 110 | 86 | 270 | 500 | 250 | 250 |
| DN 125 | PP110-WD125 | 125 | 111 | 270 | 500 | 250 | 250 |
| DN 150 | PP110-WD150 | 160 | 181 | 270 | 500 | 300 | 250 |
| DN 200* | PP110-WD200 | 200 | 274 | 400 | 580 | 300 | 250 |
| DN 250* | PP110-WD250 | 250 | 432 | 400 | 580 | 300 | 250 |
| DN 300* | PP110-WD300 | 315 | 686 | 500 | 680 | 300 | 250 |

* Custom-made products cannot be returned.

** AL = ventilation cross-section

Status: 03/22 b/s/t GmbH Koch Kunststofftechnologie reserves the right to make technical modifications.

b/s/t PE Sewage Vent WD

Stacking element

Specification ←

Material
PE, high impact strength,
UV-stabilised

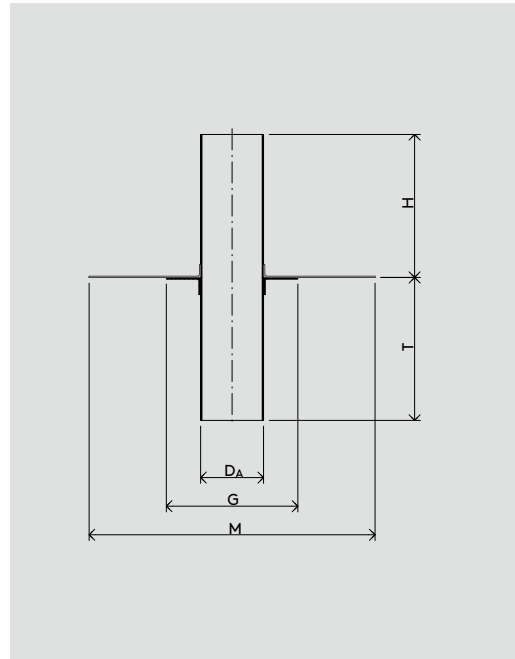
Membrane flange
PE (see page 159)

Maximum pipe length
max. 1000 mm

INFO

Please order ←
membrane
flange
separately

Special models ←
on request*



WG 2111 ←

| Nominal Width | Product No. | $D_A \varnothing$ [mm] | AL** [cm ²] | G [mm] | M [mm] | H [mm] | T [mm] |
|---------------|-------------|------------------------|-------------------------|--------|--------|--------|--------|
| DN 50 | PE110-WD050 | 50 | 15 | 200 | 350 | 250 | 250 |
| DN 70 | PE110-WD070 | 75 | 40 | 200 | 350 | 250 | 250 |
| DN 80 | PE110-WD080 | 90 | 56 | 200 | 350 | 250 | 250 |
| DN 100 | PE110-WD100 | 110 | 86 | 270 | 500 | 250 | 250 |
| DN 125 | PE110-WD125 | 125 | 111 | 270 | 500 | 250 | 250 |
| DN 150 | PE110-WD150 | 160 | 181 | 270 | 500 | 300 | 250 |
| DN 200* | PE110-WD200 | 200 | 274 | 400 | 580 | 300 | 250 |
| DN 250* | PE110-WD250 | 250 | 432 | 400 | 580 | 300 | 250 |
| DN 300* | PE110-WD300 | 315 | 686 | 500 | 680 | 300 | 250 |

* Custom-made products cannot be returned.

** AL = ventilation cross-section

Status: 03/22 b/s/t GmbH Koch Kunststofftechnologie reserves the right to make technical modifications.

b/s/t ALIT Sewage Vent WD

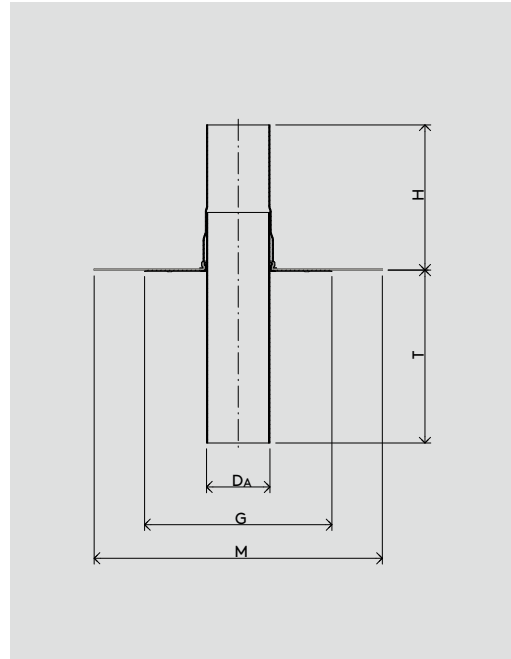
Stacking element

Specification ← **Material**
Aluminium

Membrane flange
Polyolefin, EPDM, ECB, PIB, PVC etc.
(see page 158 – 159)

INFO Please order ←
membrane
flange
separately

Special models ←
on request*



WG 1211 ←

| Nominal Width | Product No. | $D_A \varnothing$ [mm] | AL** [cm ²] | G \varnothing [mm] | M [mm] | H [mm] | T [mm] |
|---------------|-------------|------------------------|-------------------------|----------------------|--------|--------|--------|
| DN 70 | A110-WD070 | 75 | 39 | 325 | 500 | 250 | 300 |
| DN 100 | A110-WD100 | 110 | 88 | 325 | 500 | 250 | 300 |
| DN 125 | A110-WD125 | 125 | 115 | 325 | 500 | 250 | 300 |
| DN 150 | A110-WD150 | 160 | 191 | 325 | 500 | 300 | 300 |

* Custom-made products cannot be returned.

** AL = ventilation cross-section

Status: 03/22 b/s/t GmbH Koch Kunststofftechnologie reserves the right to make technical modifications.

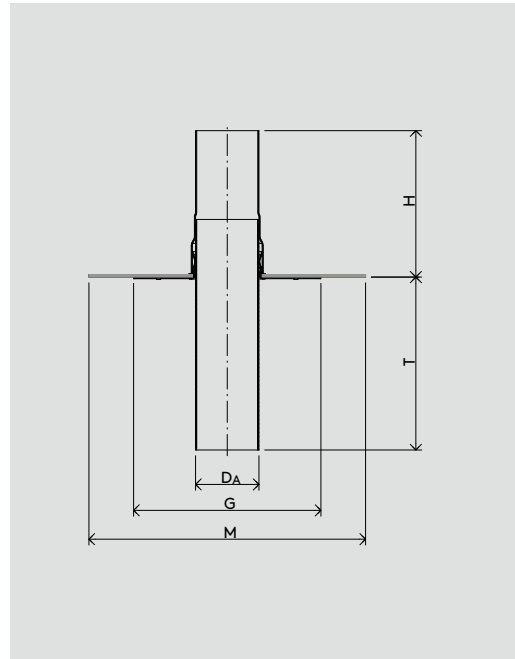
b/s/t ALIT Sewage Vent WD Bitumen

Stacking element

Specification ←

Material
Aluminium

Membrane flange
SBS bitumen roofing membrane



WG 1211 ←

| Nominal Width | Product No. | $D_A \emptyset$ [mm] | AL* [cm ²] | G \emptyset [mm] | M \emptyset [mm] | H [mm] | T [mm] |
|---------------|-------------|----------------------|------------------------|--------------------|--------------------|--------|--------|
| DN 70 | A110-BWD070 | 75 | 39 | 325 | 480 | 250 | 300 |
| DN 100 | A110-BWD100 | 110 | 88 | 325 | 480 | 250 | 300 |
| DN 125 | A110-BWD125 | 125 | 115 | 325 | 480 | 250 | 300 |
| DN 150 | A110-BWD150 | 160 | 191 | 325 | 480 | 300 | 300 |

* AL = ventilation cross-section

Status: 03/22 b/s/t GmbH Koch Kunststofftechnologie reserves the right to make technical modifications.

b/s/t PVC Vent WD

Stacking element

Specification ←

MaterialPVC-U, high impact strength,
UV-stabilisedIncluding plastic weather cap (removable),
high impact strength, UV-stabilisedSpecial model*

DN 250, DN 300

Different colour of pipe

DN 200

similar to RAL 7011

Maximum pipe length

max. 1000 mm

Base plate

Inclination of 25° max. for DN 70 - 150

Inclination of 5° max. for DN 200 - 300

Membrane flange

PVC, EVA (see page 158)

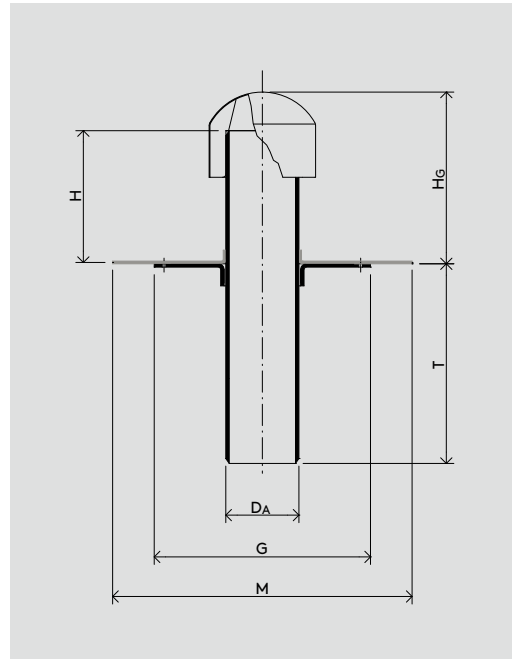
INFO

Please order ←
membrane
flange
separatelySpecial models ←
on request*

up to 25°



Ø up to 300



WG 1111 ←

| Nominal Width | Product No. | DAØ[mm] | AL** [cm²] | G[mm] | M[mm] | H[mm] | Hg[mm] | T[mm] |
|---------------|-------------|---------|------------|-------|-------|-------|--------|-------|
| DN 50 | 111-WD050 | 50 | 16 | 200 | 300 | 250 | 290 | 250 |
| DN 70 | 111-WD070 | 75 | 40 | 200 | 350 | 250 | 290 | 250 |
| DN 80 | 111-WD080 | 90 | 56 | 200 | 350 | 250 | 310 | 250 |
| DN 100 | 111-WD100 | 110 | 87 | 230 | 500 | 250 | 310 | 250 |
| DN 125 | 111-WD125 | 125 | 113 | 230 | 500 | 250 | 315 | 250 |
| DN 150 | 111-WD150 | 160 | 185 | 280 | 500 | 300 | 380 | 250 |
| DN 200* | 111-WD200 | 200 | 268 | 400 | 580 | 300 | 411 | 250 |

* Custom-made products cannot be returned.

** AL = ventilation cross-section

Status: 03/22 b/s/t GmbH Koch Kunststofftechnologie reserves the right to make technical modifications.

b/s/t PP Vent WD

Stacking element

Specification ←

Material
PP, high impact strength,
UV-stabilised

Maximum pipe length
max. 1000 mm

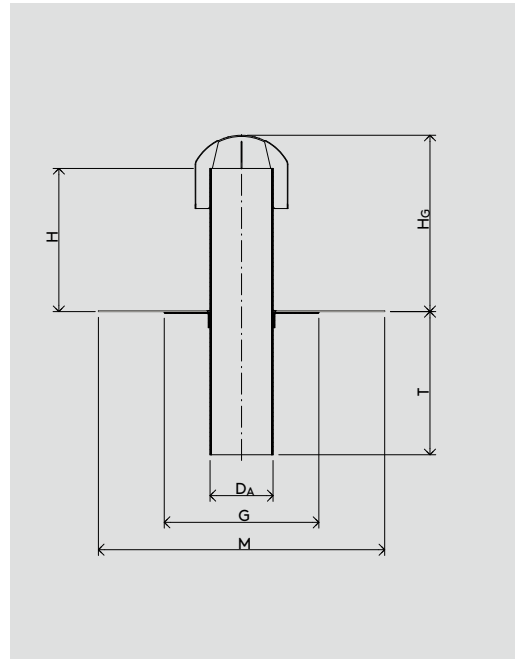
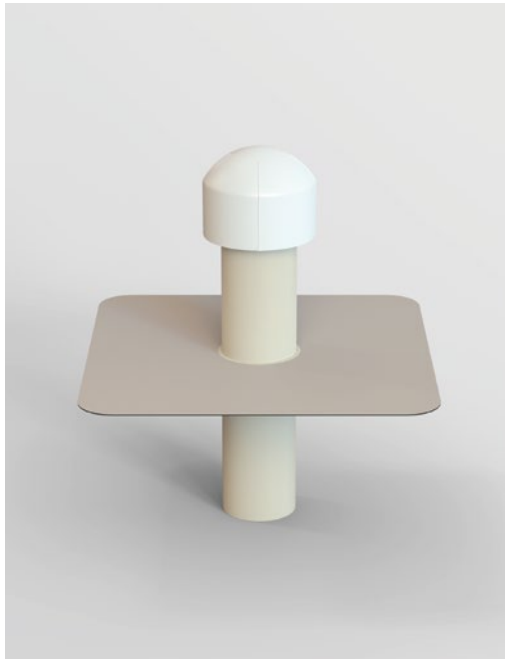
Including plastic weather cap (removable),
high impact strength, UV-stabilised

Membrane flange
PP (see page 159)

INFO

Please order ←
membrane
flange
separately

Special models ←
on request*



WG 2111 ←

| Nominal Width | Product No. | DAØ [mm] | AL** [cm²] | G [mm] | M [mm] | H [mm] | Hg [mm] | T [mm] |
|---------------|-------------|----------|------------|--------|--------|--------|---------|--------|
| DN 50 | PP111-WD050 | 50 | 15 | 200 | 300 | 250 | 290 | 250 |
| DN 70 | PP111-WD070 | 75 | 39 | 200 | 350 | 250 | 290 | 250 |
| DN 80 | PP111-WD080 | 90 | 55 | 200 | 350 | 250 | 310 | 250 |
| DN 100 | PP111-WD100 | 110 | 86 | 270 | 500 | 250 | 310 | 250 |
| DN 125 | PP111-WD125 | 125 | 111 | 270 | 500 | 250 | 315 | 250 |
| DN 150 | PP111-WD150 | 160 | 181 | 270 | 500 | 300 | 380 | 250 |
| DN 200* | PP111-WD200 | 200 | 274 | 400 | 580 | 300 | 411 | 250 |

* Custom-made products cannot be returned.

** AL = ventilation cross-section

Status: 03/22 b/s/t GmbH Koch Kunststofftechnologie reserves the right to make technical modifications.

b/s/t PE Vent WD

Stacking element

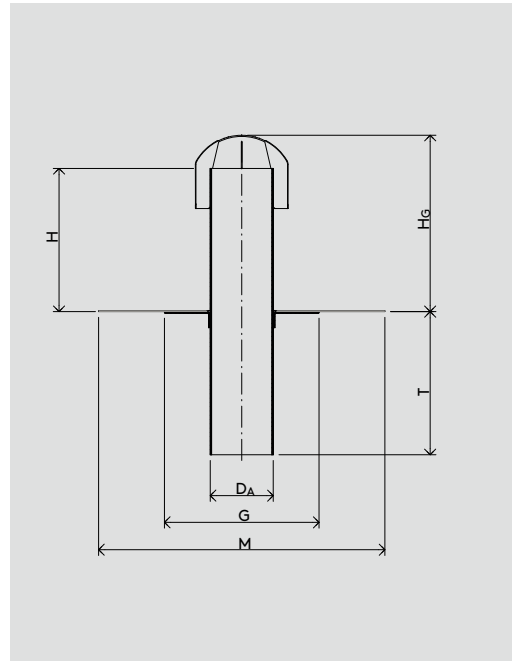
Specification ←

MaterialPE, high impact strength,
UV-stabilisedMaximum pipe length

max. 1000 mm

Membrane flangeIncluding plastic weather cap (removable),
high impact strength, UV-stabilised

INFO

Please order ←
membrane
flange
separatelySpecial models ←
on request*

WG 2111 ←

| Nominal Width | Product No. | $D_A \varnothing$ [mm] | AL** [cm ²] | G [mm] | M [mm] | H [mm] | H _G [mm] | T [mm] |
|---------------|-------------|------------------------|-------------------------|--------|--------|--------|---------------------|--------|
| DN 50 | PE111-WD050 | 50 | 15 | 200 | 300 | 250 | 290 | 250 |
| DN 70 | PE111-WD070 | 75 | 40 | 200 | 350 | 250 | 290 | 250 |
| DN 80 | PE111-WD080 | 90 | 55 | 200 | 350 | 250 | 310 | 250 |
| DN 100 | PE111-WD100 | 110 | 86 | 270 | 500 | 250 | 310 | 250 |
| DN 125 | PE111-WD125 | 125 | 111 | 270 | 500 | 250 | 315 | 250 |
| DN 150 | PE111-WD150 | 160 | 181 | 270 | 500 | 300 | 380 | 250 |
| DN 200* | PE111-WD200 | 200 | 274 | 400 | 580 | 300 | 411 | 250 |

* Custom-made products cannot be returned.

** AL = ventilation cross-section

Status: 03/22 b/s/t GmbH Koch Kunststofftechnologie reserves the right to make technical modifications.

b/s/t ALIT Vent WD

Stacking element

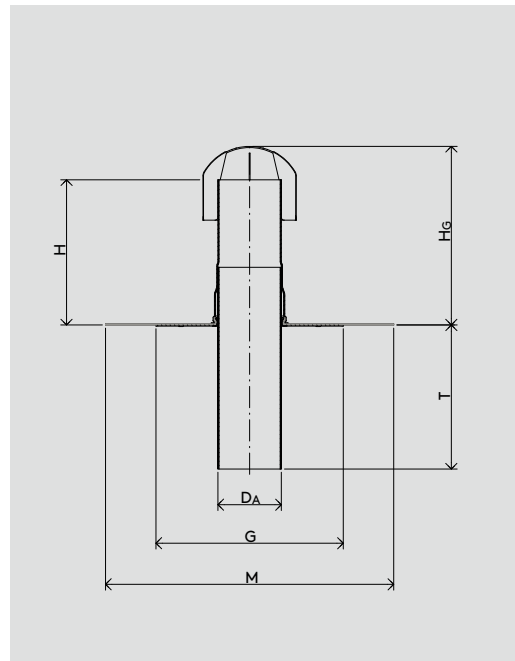
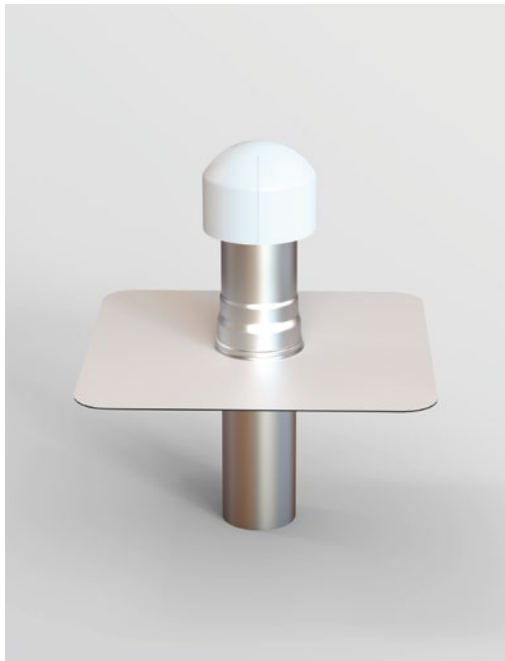
Specification ←

Material

Aluminium

Including plastic weather cap (removable),
high impact strength, UV-stabilisedMembrane flangePolyolefin, EPDM, ECB, PIB, PVC etc.
(see page 158 – 159)

INFO

Please order ←
membrane
flange
separatelySpecial models ←
on request*

WG 1211 ←

| Nominal Width | Product No. | $D_A \varnothing$ [mm] | AL** [cm ²] | G \varnothing [mm] | M [mm] | H [mm] | H _G [mm] | T [mm] |
|---------------|-------------|------------------------|-------------------------|----------------------|--------|--------|---------------------|--------|
| DN 70 | A111-WD070 | 75 | 39 | 325 | 500 | 250 | 290 | 300 |
| DN 100 | A111-WD100 | 110 | 88 | 325 | 500 | 250 | 310 | 300 |
| DN 125 | A111-WD125 | 125 | 115 | 325 | 500 | 250 | 315 | 300 |
| DN 150 | A111-WD150 | 160 | 191 | 325 | 500 | 300 | 380 | 300 |

* Custom-made products cannot be returned.

** AL = ventilation cross-section

Status: 03/22 b/s/t GmbH Koch Kunststofftechnologie reserves the right to make technical modifications.

b/s/t ALIT Vent WD Premium

Stacking element

Specification ←

Material

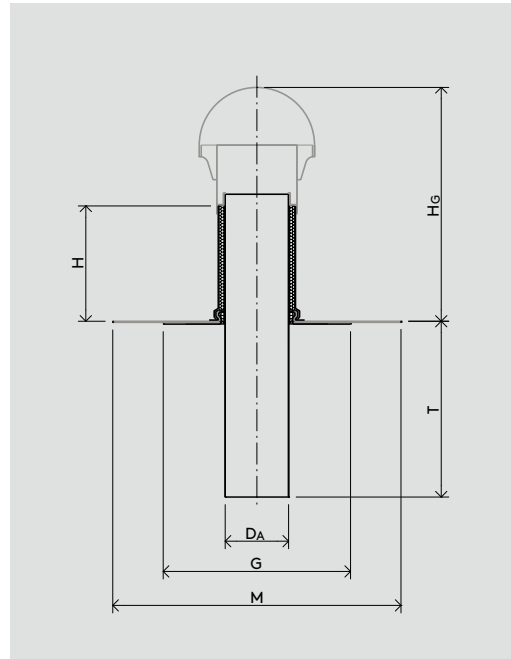
Aluminium

Upper part double-shell, thermally insulated, including PE weather cap (not removable), high impact strength, UV-stabilised, with optimised condensate drainage

Membrane flange

Polyolefin, EPDM, ECB, PIB, PVC etc.
(see page 158 – 159)

INFO Please order ←
membrane
flange
separately



WG 1211 ←

| Nominal Width | Product No. | $D_A \text{ [mm]}$ | $AL^* \text{ [cm}^2\text{]}$ | $G \text{ [mm]}$ | $M \text{ [mm]}$ | $H \text{ [mm]}$ | $H_g \text{ [mm]}$ | $T \text{ [mm]}$ |
|---------------|---------------|--------------------|------------------------------|------------------|------------------|------------------|--------------------|------------------|
| DN 100 | A111-WD100300 | 110 | 82 | 325 | 500 | 200 | 385 | 300 |
| DN 100 | A111-WD100450 | 110 | 82 | 325 | 500 | 200 | 385 | 450 |
| DN 125 | A111-WD125300 | 125 | 106 | 325 | 500 | 200 | 365 | 300 |
| DN 125 | A111-WD125450 | 125 | 106 | 325 | 500 | 200 | 365 | 450 |

* AL = ventilation cross-section

Status: 03/22 b/s/t GmbH Koch Kunststofftechnologie reserves the right to make technical modifications.

b/s/t ALIT Vent WD Bitumen

Stacking element

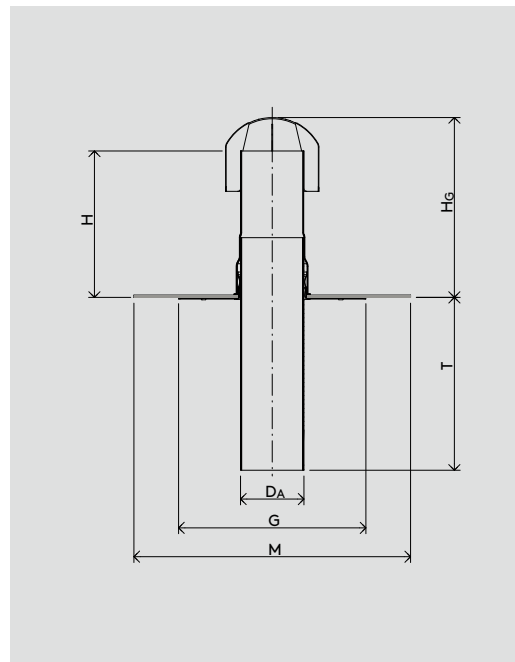
Specification ←

Material

Aluminium

Membrane flange

SBS bitumen roofing membrane

Including plastic weather cap (removable),
high impact strength, UV-stabilised

WG 1211 ←

| Nominal Width | Product No. | DAØ [mm] | AL* [cm²] | GØ [mm] | MØ [mm] | H [mm] | Hg [mm] | T [mm] |
|---------------|-------------|----------|-----------|---------|---------|--------|---------|--------|
| DN 70 | A111-BWD070 | 75 | 39 | 325 | 480 | 250 | 290 | 300 |
| DN 100 | A111-BWD100 | 110 | 88 | 325 | 480 | 250 | 310 | 300 |
| DN 125 | A111-BWD125 | 125 | 115 | 325 | 480 | 250 | 315 | 300 |
| DN 150 | A111-BWD150 | 160 | 191 | 325 | 480 | 300 | 380 | 300 |

* AL = ventilation cross-section

Status: 03/22 b/s/t GmbH Koch Kunststofftechnologie reserves the right to make technical modifications.

b/s/t PVC Pipe Duct KD

Specification ← **Material**
PVC-U, high impact strength,
UV-stabilised

Special model*
DN 200, DN 250, DN 300

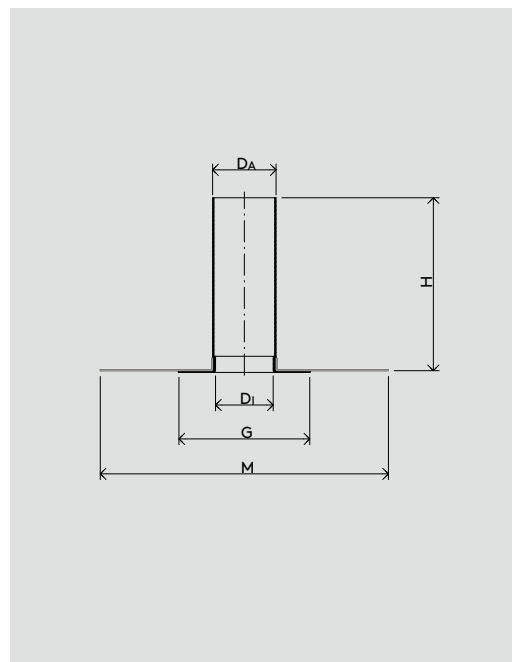
Different colour of pipe
DN 200, DN 250, DN 300
similar to RAL 7011

Base plate
Inclination of 25° max. for DN 70 – 150
Inclination of 5° max. for DN 200 – 300

Membrane flange
PVC, EVA (see page 158)

INFO Please order ←
membrane
flange
separately

Special models ←
on request*



WG 1111 ←

| Nominal Width | Product No. | $D_A \varnothing$ [mm] | $D_I \varnothing$ [mm] | G [mm] | M [mm] | H [mm] |
|---------------|-------------|------------------------|------------------------|--------|--------|--------|
| DN 50 | 110-KD050 | 50 | 43 | 150 | 300 | 300 |
| DN 70 | 110-KD070 | 75 | 67 | 180 | 350 | 300 |
| DN 80 | 110-KD080 | 90 | 80 | 200 | 350 | 300 |
| DN 100 | 110-KD100 | 110 | 100 | 230 | 500 | 300 |
| DN 125 | 110-KD125 | 125 | 110 | 230 | 500 | 300 |
| DN 150 | 110-KD150 | 160 | 149 | 260 | 500 | 300 |
| DN 200* | 110-KD200 | 200 | 185 | 400 | 580 | 300 |
| DN 250* | 110-KD250 | 250 | 233 | 400 | 580 | 300 |
| DN 300* | 110-KD300 | 315 | 295 | 500 | 680 | 300 |

* Custom-made products cannot be returned.
Status: 03/22 b/s/t GmbH Koch Kunststofftechnologie reserves the right to make technical modifications.

b/s/t PP Pipe Duct KD

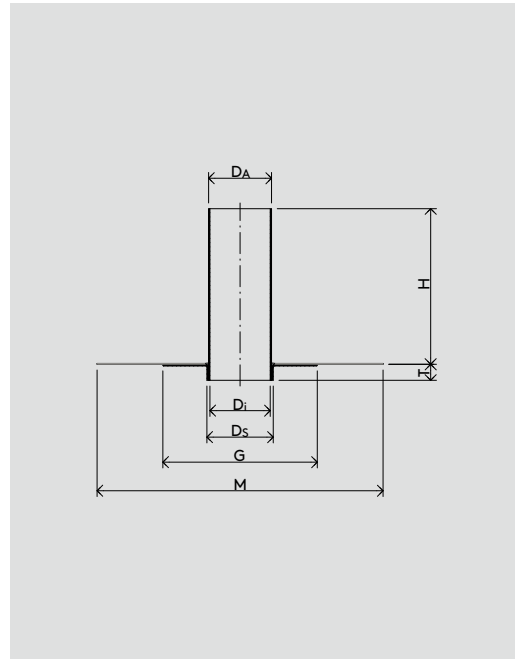
Specification ← **Material**
PP, high impact strength,
UV-stabilised

Membrane flange
PP (see page 159)

INFO

Please order ←
membrane
flange
separately

Special models ←
on request*



WG 2111 ←

| Nominal Width | Product No. | $D_A \emptyset$ [mm] | $D_i \emptyset$ [mm] | $D_s \emptyset$ [mm] | G [mm] | M [mm] | H [mm] | T [mm] |
|---------------|-------------|----------------------|----------------------|----------------------|--------|--------|--------|--------|
| DN 50 | PP110-KD050 | 50 | 44.2 | 56 | 200 | 350 | 272 | 28 |
| DN 70 | PP110-KD070 | 75 | 70.4 | 81 | 200 | 350 | 272 | 28 |
| DN 80 | PP110-KD080 | 90 | 84.4 | 96 | 200 | 350 | 272 | 28 |
| DN 100 | PP110-KD100 | 110 | 104.6 | 116 | 270 | 500 | 272 | 28 |
| DN 125 | PP110-KD125 | 125 | 118.8 | 131 | 270 | 500 | 272 | 28 |
| DN 150 | PP110-KD150 | 160 | 152.0 | 166 | 270 | 500 | 272 | 28 |
| DN 200* | PP110-KD200 | 200 | 187.6 | 206 | 400 | 580 | 272 | 28 |
| DN 250* | PP110-KD250 | 250 | 234.6 | 256 | 400 | 580 | 272 | 28 |
| DN 300* | PP110-KD300 | 315 | 295.6 | 321 | 500 | 680 | 272 | 28 |

* Custom-made products cannot be returned.

Status: 03/22 b/s/t GmbH Koch Kunststofftechnologie reserves the right to make technical modifications.

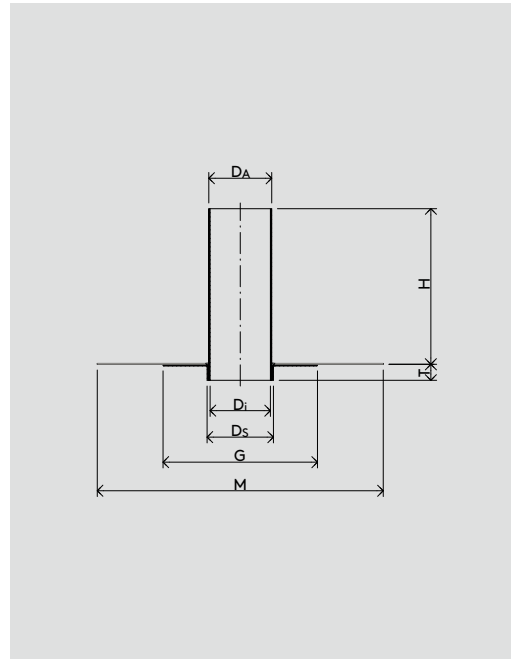
b/s/t PE Pipe Duct KD

Specification ← **Material**
PE, high impact strength,
UV-stabilised

Membrane flange
PE (see page 159)

INFO Please order ←
membrane
flange
separately

Special models ←
on request*



WG 2111 ←

| Nominal Width | Product No. | DAØ [mm] | DiØ [mm] | DsØ [mm] | G [mm] | M [mm] | H [mm] | T [mm] |
|---------------|-------------|----------|----------|----------|--------|--------|--------|--------|
| DN 50 | PE110-KD050 | 50 | 44.0 | 56 | 200 | 350 | 272 | 28 |
| DN 70 | PE110-KD070 | 75 | 71.2 | 81 | 200 | 350 | 272 | 28 |
| DN 80 | PE110-KD080 | 90 | 84.4 | 96 | 200 | 350 | 272 | 28 |
| DN 100 | PE110-KD100 | 110 | 104.6 | 116 | 270 | 500 | 272 | 28 |
| DN 125 | PE110-KD125 | 125 | 118.8 | 131 | 270 | 500 | 272 | 28 |
| DN 150 | PE110-KD150 | 160 | 152.0 | 166 | 270 | 500 | 272 | 28 |
| DN 200* | PE110-KD200 | 200 | 187.6 | 206 | 400 | 580 | 272 | 28 |
| DN 250* | PE110-KD250 | 250 | 234.6 | 256 | 400 | 580 | 272 | 28 |
| DN 300* | PE110-KD300 | 315 | 295.6 | 321 | 500 | 680 | 272 | 28 |

* Custom-made products cannot be returned.
Status: 03/22 b/s/t GmbH Koch Kunststofftechnologie reserves the right to make technical modifications.

b/s/t ALIT Pipe Duct KD

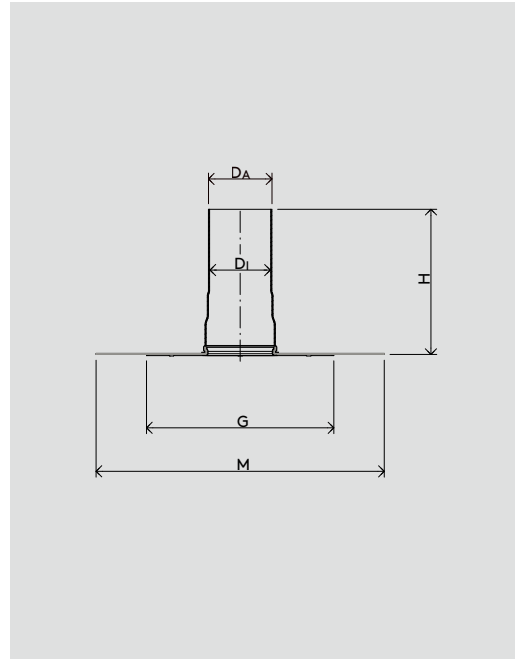
Specification ← Material
Aluminium

Membrane flange
Polyolefin, EPDM, ECB, PIB, PVC etc.
(see page 158 – 159)

INFO

Please order ←
membrane
flange
separately

Special models ←
on request*



WG 1211 ←

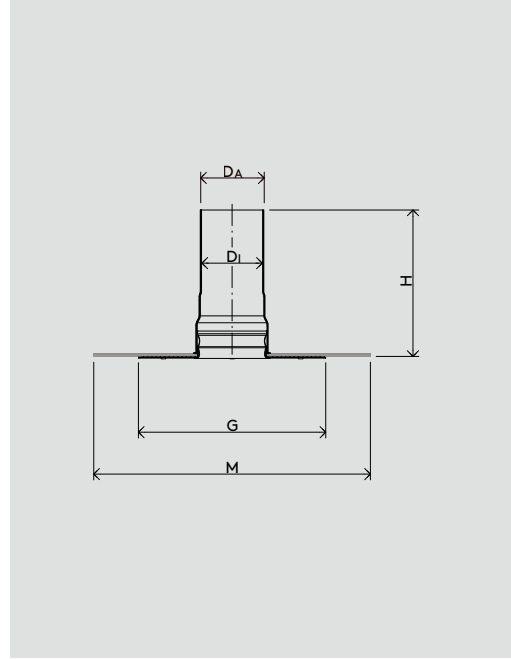
| Nominal Width | Product No. | DAØ [mm] | DiØ [mm] | GØ [mm] | M [mm] | H [mm] |
|---------------|-------------|----------|----------|---------|--------|--------|
| DN 70 | A110-KD070 | 75 | 71 | 325 | 500 | 250 |
| DN 100 | A110-KD100 | 110 | 106 | 325 | 500 | 250 |
| DN 125 | A110-KD125 | 125 | 121 | 325 | 500 | 250 |
| DN 150 | A110-KD150 | 160 | 156 | 325 | 500 | 300 |

* Custom-made products cannot be returned.
Status: 03/22 b/s/t GmbH Koch Kunststofftechnologie reserves the right to make technical modifications.

b/s/t ALIT Pipe Duct KD Bitumen

Specification ← Material
Aluminium

Membrane flange
SBS bitumen roofing membrane



WG 1211 ←

| Nominal Width | Product No. | $D_A \varnothing$ [mm] | $D_i \varnothing$ [mm] | $G \varnothing$ [mm] | $M \varnothing$ [mm] | H [mm] |
|---------------|-------------|------------------------|------------------------|----------------------|----------------------|--------|
| DN 70 | A110-BKD070 | 75 | 71 | 325 | 500 | 250 |
| DN 100 | A110-BKD100 | 110 | 106 | 325 | 500 | 250 |
| DN 125 | A110-BKD125 | 125 | 121 | 325 | 500 | 250 |
| DN 150 | A110-BKD150 | 160 | 156 | 325 | 500 | 300 |

b/s/t PVC Cold Roof Vent KD

Specification ←

Material

PVC-U, high impact strength,
UV-stabilised

Including plastic weather cap (removable),
high impact strength, UV-stabilised

Special model*

DN 250, DN 300

Different colour of pipe

DN 200
similar to RAL 7011

Base plate

Inclination of 25° max. for DN 70 – 150
Inclination of 5° max. for DN 200 – 300

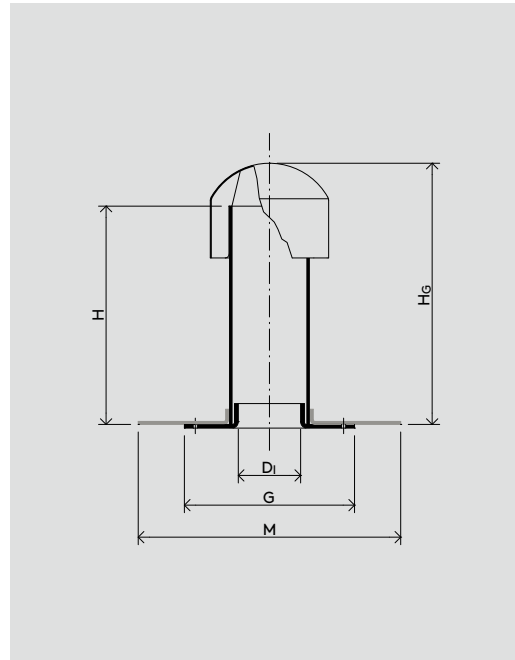
Membrane flange

PVC, EVA (see page 158)

INFO

Please order ←
membrane
flange
separately

Special models ←
on request*



WG 1111 ←

| Nominal Width | Product No. | D _i Ø [mm] | AL** [cm ²] | G [mm] | M [mm] | H [mm] | H _G [mm] |
|---------------|-------------|-----------------------|-------------------------|--------|--------|--------|---------------------|
| DN 70 | 111-KD070 | 67 | 35 | 180 | 350 | 300 | 340 |
| DN 100 | 111-KD100 | 100 | 78 | 230 | 500 | 300 | 360 |
| DN 125 | 111-KD125 | 110 | 95 | 230 | 500 | 300 | 365 |
| DN 150 | 111-KD150 | 149 | 174 | 260 | 500 | 300 | 380 |
| DN 200* | 111-KD200 | 200 | 269 | 400 | 580 | 300 | 411 |

* Custom-made products cannot be returned.

** AL = ventilation cross-section

Status: 03/22 b/s/t GmbH Koch Kunststofftechnologie reserves the right to make technical modifications.

b/s/t PP Cold Roof Vent KD

Specification ←

Material

PP, high impact strength,
UV-stabilised

Membrane flange

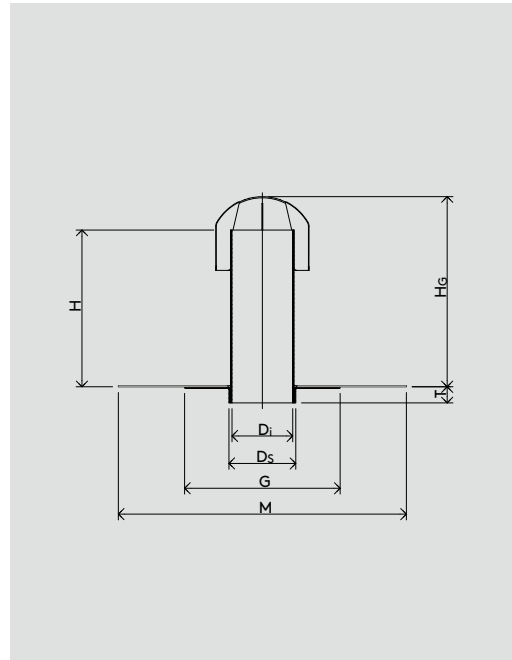
PP (see page 159)

Including plastic weather cap (removable),
high impact strength, UV-stabilised

INFO

Please order ←
membrane
flange
separately

Special models ←
on request*



WG 2111 ←

| Nominal Width | Product No. | $D_i \text{Ø}$ [mm] | $D_s \text{Ø}$ [mm] | AL** [cm ²] | G [mm] | M [mm] | H [mm] | H_g [mm] | T [mm] |
|---------------|-------------|---------------------|---------------------|-------------------------|--------|--------|--------|------------|--------|
| DN 70 | PP111-KD070 | 70.4 | 81 | 39 | 200 | 350 | 272 | 312 | 28 |
| DN 100 | PP111-KD100 | 104.6 | 116 | 86 | 270 | 500 | 272 | 332 | 28 |
| DN 125 | PP111-KD125 | 118.8 | 131 | 111 | 270 | 500 | 272 | 337 | 28 |
| DN 150 | PP111-KD150 | 152.0 | 166 | 181 | 270 | 500 | 272 | 352 | 28 |
| DN 200* | PP111-KD200 | 187.6 | 206 | 274 | 400 | 580 | 272 | 383 | 28 |

* Custom-made products cannot be returned.

** AL = ventilation cross-section

Status: 03/22 b/s/t GmbH Koch Kunststofftechnologie reserves the right to make technical modifications.

b/s/t PE Cold Roof Vent KD

Specification ←

Material

PE, high impact strength,
UV-stabilised

Membrane flange

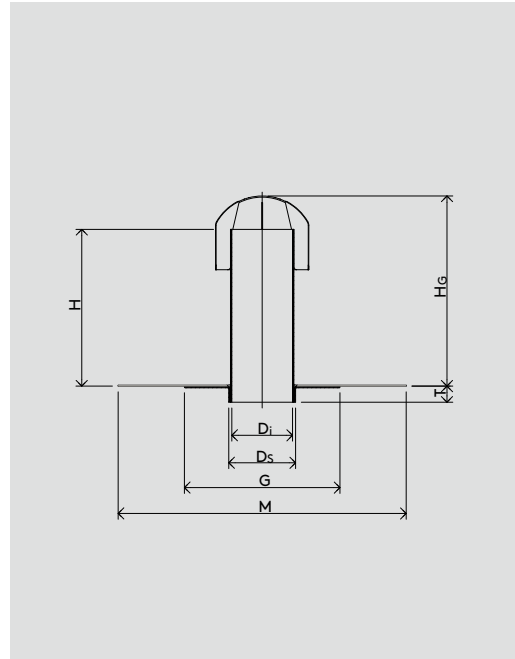
PE (see page 159)

Including plastic weather cap (removable),
high impact strength, UV-stabilised

INFO

Please order ←
membrane
flange
separately

Special models ←
on request*



WG 2111 ←

| Nominal Width | Product No. | D ₁ ∅ [mm] | D _s ∅ [mm] | AL** [cm ²] | G [mm] | M [mm] | H [mm] | H _G [mm] | T [mm] |
|---------------|-------------|-----------------------|-----------------------|-------------------------|--------|--------|--------|---------------------|--------|
| DN 70 | PE111-KD070 | 71.2 | 81 | 40 | 200 | 350 | 272 | 312 | 28 |
| DN 100 | PE111-KD100 | 104.6 | 116 | 86 | 270 | 500 | 272 | 332 | 28 |
| DN 125 | PE111-KD125 | 118.8 | 131 | 111 | 270 | 500 | 272 | 337 | 28 |
| DN 150 | PE111-KD150 | 152.0 | 166 | 181 | 270 | 500 | 272 | 352 | 28 |
| DN 200* | PE111-KD200 | 187.6 | 206 | 274 | 400 | 580 | 272 | 383 | 28 |

* Custom-made products cannot be returned.

** AL = ventilation cross-section

Status: 03/22 b/s/t GmbH Koch Kunststofftechnologie reserves the right to make technical modifications.

b/s/t ALIT Cold Roof Vent KD

Specification ←

Material

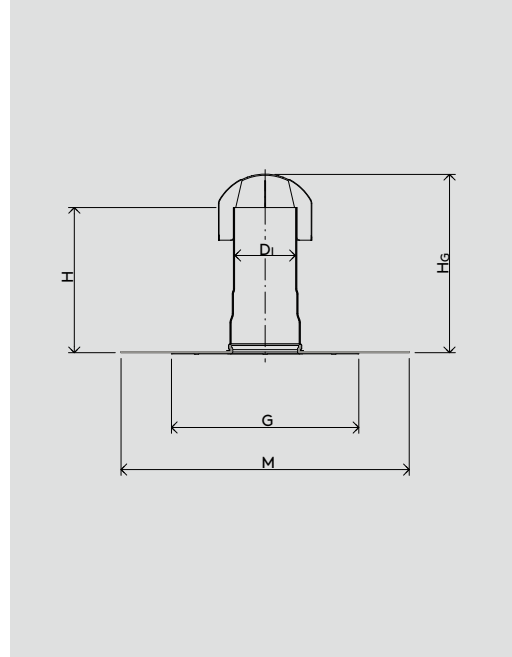
Aluminium

Including plastic weather cap (removable),
high impact strength, UV-stabilisedMembrane flange

Polyolefin, EPDM, ECB, PIB, PVC etc.

(see page 158 – 159)

INFO

Please order ←
membrane
flange
separatelySpecial models ←
on request*

WG 1211 ←

| Nominal Width | Product No. | D ₁ Ø [mm] | AL** [cm ²] | GØ [mm] | M [mm] | H [mm] | H _G [mm] |
|---------------|-------------|--------------------------|----------------------------|------------|-----------|-----------|------------------------|
| DN 70 | A111-KD070 | 71 | 39 | 325 | 500 | 250 | 290 |
| DN 100 | A111-KD100 | 106 | 88 | 325 | 500 | 250 | 310 |
| DN 125 | A111-KD125 | 121 | 115 | 325 | 500 | 250 | 315 |
| DN 150 | A111-KD150 | 156 | 191 | 325 | 500 | 300 | 380 |

* Custom-made products cannot be returned.

** AL = ventilation cross-section

Status: 03/22 b/s/t GmbH Koch Kunststofftechnologie reserves the right to make technical modifications.

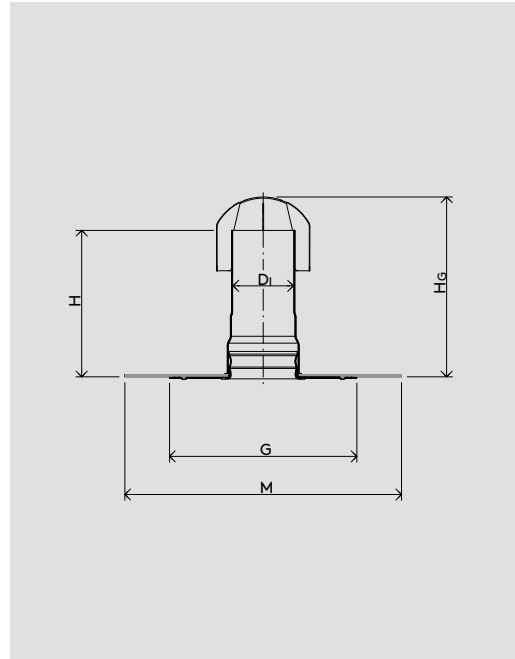
b/s/t ALIT Cold Roof Vent KD Bitumen

Specification ←

Material
Aluminium

Membrane flange
SBS bitumen roofing membrane

Including plastic weather cap (removable),
high impact strength, UV-stabilised



WG 1211 ←

| Nominal Width | Product No. | D _i ∅ [mm] | AL* [cm ²] | G∅ [mm] | M∅ [mm] | H [mm] | H _G [mm] |
|---------------|-------------|-----------------------|------------------------|---------|---------|--------|---------------------|
| DN 70 | A111-BKD070 | 71 | 39 | 325 | 480 | 250 | 290 |
| DN 100 | A111-BKD100 | 106 | 88 | 325 | 480 | 250 | 310 |
| DN 125 | A111-BKD125 | 121 | 115 | 325 | 480 | 250 | 315 |
| DN 150 | A111-BKD150 | 156 | 191 | 325 | 480 | 300 | 380 |

* AL = ventilation cross-section

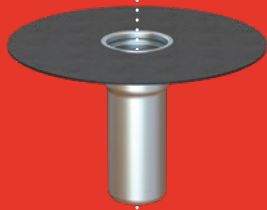
Status: 03/22 b/s/t GmbH Koch Kunststofftechnologie reserves the right to make technical modifications.

Installation Sample: PVC/EVA – Roofing Membrane + Vapour Barrier

Modular System ←
can be com-
bined with all
Cable Ducts
and Energy
Supplies WD.
(see page 32).



PVC Cable Duct WD
(see page 32)



ALIT Deck Drain Bitumen
(see page 6)



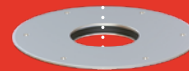
PVC Deck Drain
(see page 5)



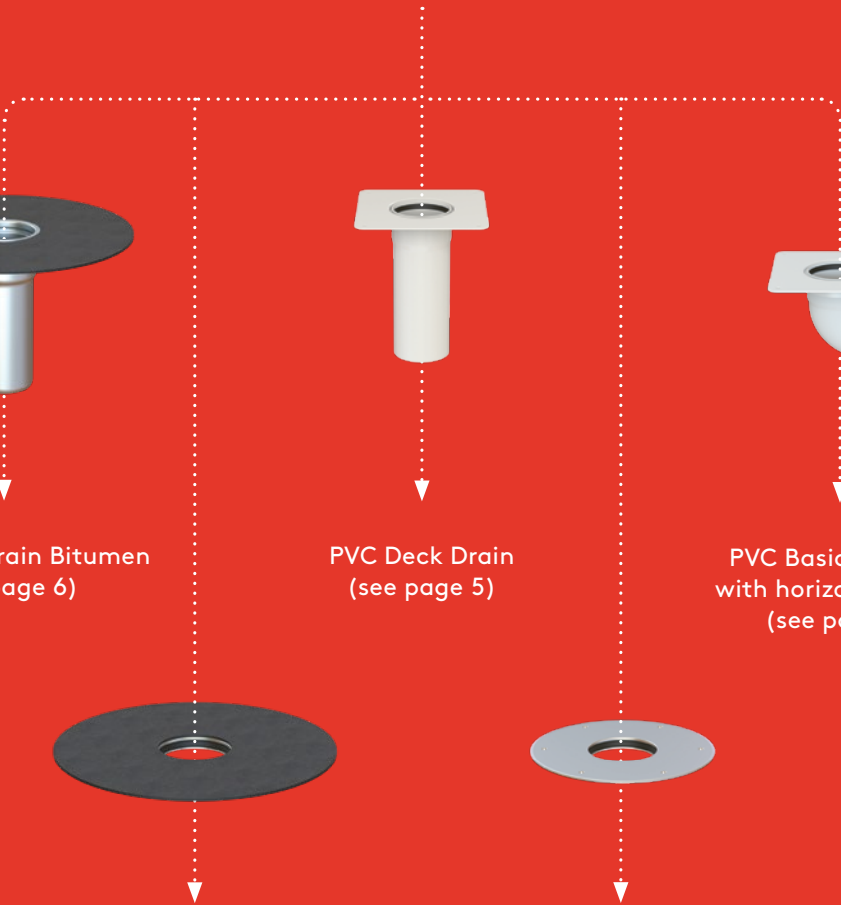
PVC Basic Element
with horizontal drain
(see page 4)



ALIT Deck Element Bitumen
(see page 8)



ALIT Deck Element
(see page 7)



b/s/t PVC Cable Duct WD

Stacking element

Specification ←

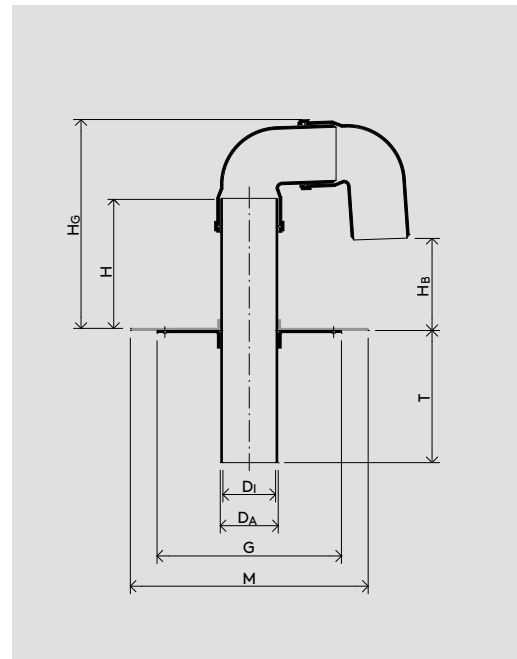
MaterialPVC-U, high impact strength,
UV-stabilised.Special model*Maximum base plate inclination
of 25° for DN 50 – 150Maximum pipe length

max. 1000 mm

NoteAll models are built with two 87° elbow
pipes.Membrane flange

PVC, EVA (see page 158)

INFO

Please order ←
membrane
flange
separatelySpecial models ←
on request*

WG 1117 ←

| Nominal Width | Product No. | DAØ [mm] | DiØ [mm] | G [mm] | M [mm] | H [mm] | H _G [mm] | H _B [mm] | T [mm] |
|---------------|-------------|----------|----------|--------|--------|--------|---------------------|---------------------|--------|
| DN 50 | 142-WD050 | 50 | 46.4 | 150 | 300 | 250 | 315 | 215 | 250 |
| DN 70 | 142-WD070 | 75 | 71.4 | 200 | 350 | 250 | 340 | 205 | 250 |
| DN 100 | 142-WD100 | 110 | 105.4 | 230 | 500 | 250 | 385 | 200 | 250 |
| DN 125 | 142-WD125 | 125 | 120.0 | 230 | 500 | 250 | 405 | 200 | 250 |
| DN 150 | 142-WD150 | 160 | 153.6 | 280 | 500 | 300 | 495 | 240 | 250 |
| DN 200* | 142-WD200 | 200 | 192.0 | 400 | 580 | 300 | 540 | 220 | 250 |

* Custom-made products cannot be returned.

Status: 03/22 b/s/t GmbH Koch Kunststofftechnologie reserves the right to make technical modifications.

b/s/t PP Cable Duct WD

Stacking element

Specification ← **Material**
 PP, high impact strength, UV-stabilised

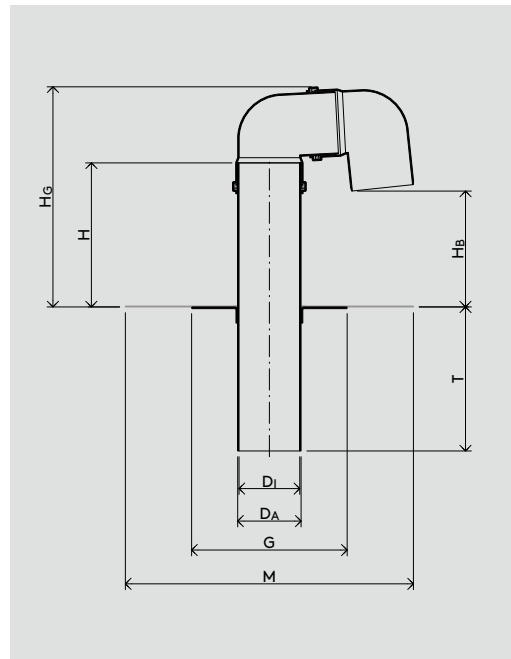
Maximum pipe length
 max. 1000 mm

Note
 Model with two 87° PVC elbow pipes, high impact strength, UV-stabilised

Membrane flange
 PP (see page 159)

INFO Please order ←
 membrane
 flange
 separately

Special models ←
 on request*



WG 2117 ←

| Nominal Width | Product No. | DA Ø [mm] | DI Ø [mm] | G [mm] | M [mm] | H [mm] | H _G [mm] | H _B [mm] | T [mm] |
|---------------|-------------|-----------|-----------|--------|--------|--------|---------------------|---------------------|--------|
| DN 50 | PP142-WD050 | 50 | 44.2 | 200 | 350 | 250 | 315 | 215 | 250 |
| DN 70 | PP142-WD070 | 75 | 69.2 | 200 | 350 | 250 | 340 | 205 | 250 |
| DN 100 | PP142-WD100 | 110 | 104.6 | 270 | 500 | 250 | 385 | 200 | 250 |
| DN 125 | PP142-WD125 | 125 | 118.8 | 270 | 500 | 250 | 405 | 200 | 250 |
| DN 150 | PP142-WD150 | 160 | 152.0 | 270 | 500 | 300 | 495 | 240 | 250 |
| DN 200* | PP142-WD200 | 200 | 187.6 | 400 | 580 | 300 | 540 | 220 | 250 |

* Custom-made products cannot be returned.
 Status: 03/22 b/s/t GmbH Koch Kunststofftechnologie reserves the right to make technical modifications.

b/s/t PE Cable Duct WD

Stacking element

Specification ← **Material**
PE, high impact strength, UV-stabilised

Maximum pipe length
max. 1000 mm

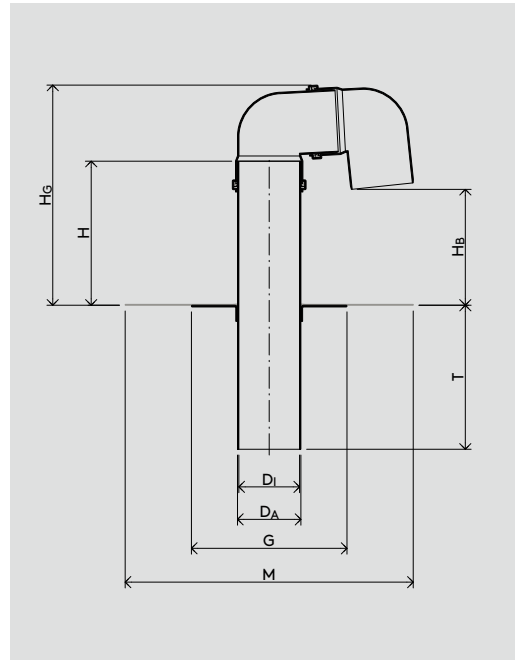
Note
Model with two 87° PVC elbow pipes,
UV-stabilised

Membrane flange
PE (see page 159)

INFO

Please order ←
membrane
flange
separately

Special models ←
on request*



WG 2117 ←

| Nominal Width | Product No. | DAØ [mm] | DiØ [mm] | G [mm] | M [mm] | H [mm] | H _G [mm] | H _B [mm] | T [mm] |
|---------------|-------------|----------|----------|--------|--------|--------|---------------------|---------------------|--------|
| DN 50 | PE142-WD050 | 50 | 44.0 | 200 | 350 | 250 | 315 | 215 | 250 |
| DN 70 | PE142-WD070 | 75 | 71.2 | 200 | 350 | 250 | 340 | 205 | 250 |
| DN 100 | PE142-WD100 | 110 | 104.6 | 270 | 500 | 250 | 385 | 200 | 250 |
| DN 125 | PE142-WD125 | 125 | 118.8 | 270 | 500 | 250 | 405 | 200 | 250 |
| DN 150 | PE142-WD150 | 160 | 152.0 | 270 | 500 | 300 | 495 | 240 | 250 |
| DN 200* | PE142-WD200 | 200 | 187.6 | 400 | 580 | 300 | 540 | 220 | 250 |

* Custom-made products cannot be returned.

Status: 03/22 b/s/t GmbH Koch Kunststofftechnologie reserves the right to make technical modifications.

b/s/t ALIT Cable Duct WD

Stacking element

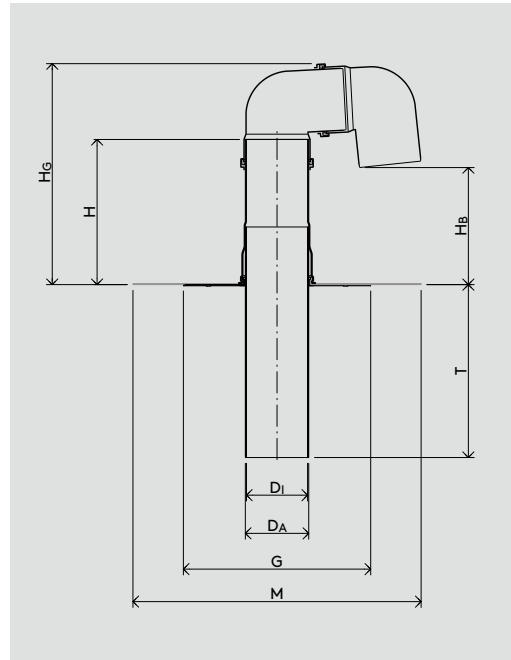
Specification ← Material
Aluminium

Note
Model with two 87° PVC elbow pipes, high impact strength, UV-stabilised

Membrane flange
Polyolefin, EPDM, ECB, PIB, PVC etc.
(see page 158 – 159)

INFO Please order ←
membrane
flange
separately

Special models ←
on request*



WG 1215 ←

| Nominal Width | Product No. | DAØ [mm] | DIØ [mm] | GØ [mm] | M [mm] | H [mm] | HG [mm] | HB [mm] | T [mm] |
|---------------|-------------|----------|----------|---------|--------|--------|---------|---------|--------|
| DN 70 | A142-WD070 | 75 | 71 | 325 | 500 | 250 | 340 | 205 | 300 |
| DN 100 | A142-WD100 | 110 | 106 | 325 | 500 | 250 | 385 | 200 | 300 |
| DN 125 | A142-WD125 | 125 | 121 | 325 | 500 | 250 | 405 | 200 | 300 |
| DN 150 | A142-WD150 | 160 | 156 | 325 | 500 | 300 | 495 | 240 | 300 |

* Custom-made products cannot be returned.
Status: 03/22 b/s/t GmbH Koch Kunststofftechnologie reserves the right to make technical modifications.

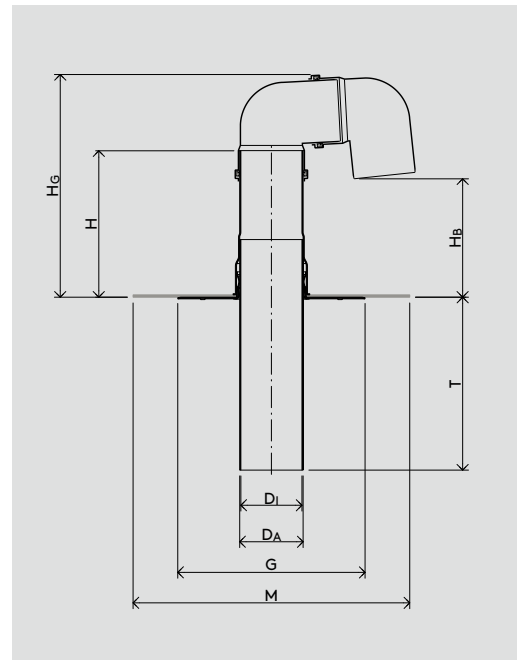
b/s/t ALIT Cable Duct WD Bitumen

Stacking element

Specification ← Material
Aluminium

Note
Model with two high impact strength 87°
PVC elbow pipes, UV-stabilised

Membrane flange
SBS bitumen roofing membrane



WG 1215 ←

| Nominal Width | Product No. | $D_A \varnothing$ [mm] | $D_i \varnothing$ [mm] | $G \varnothing$ [mm] | $M \varnothing$ [mm] | H [mm] | H_G [mm] | H_B [mm] | T [mm] |
|---------------|-------------|------------------------|------------------------|----------------------|----------------------|--------|------------|------------|--------|
| DN 70 | A142-BWD070 | 75 | 71 | 325 | 480 | 250 | 340 | 205 | 300 |
| DN 100 | A142-BWD100 | 110 | 106 | 325 | 480 | 250 | 385 | 200 | 300 |
| DN 125 | A142-BWD125 | 125 | 121 | 325 | 480 | 250 | 405 | 200 | 300 |
| DN 150 | A142-BWD150 | 160 | 156 | 325 | 480 | 300 | 495 | 240 | 300 |

b/s/t PVC Energy Supply Duct WD

Stacking element

Specification ← Material
 PVC-U, high impact strength,
 UV-stabilised

Special model*
 Maximum base plate inclination
 of 25° for DN 50 – 150

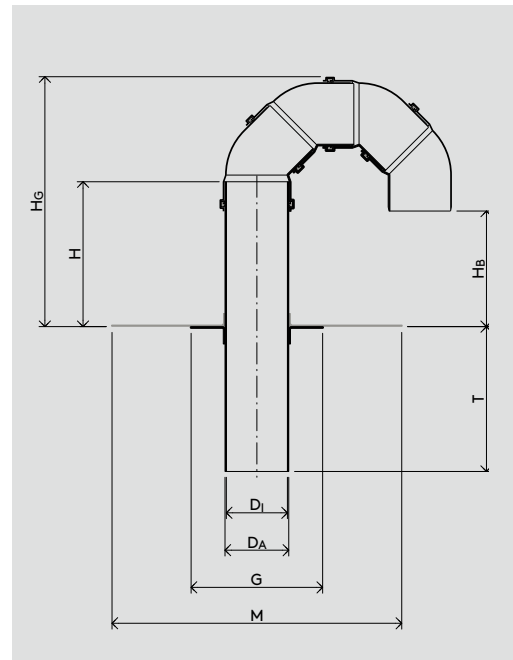
Maximum pipe length
 max. 1000 mm

Note
 Model with four 45° PVC elbow pipes

Membrane flange
 PVC, EVA (see page 158)

INFO Please order ←
 membrane
 flange
 separately

Special models ←
 on request*



WG 1117 ←

| Nominal Width | Product No. | DAØ [mm] | DIØ [mm] | G [mm] | M [mm] | H [mm] | HG [mm] | Hb [mm] | T [mm] |
|---------------|-------------|----------|----------|--------|--------|--------|---------|---------|--------|
| DN 100 | 143-WD100 | 110 | 105.4 | 230 | 500 | 250 | 420 | 190 | 250 |
| DN 125 | 143-WD125 | 125 | 120.0 | 230 | 500 | 250 | 450 | 190 | 250 |
| DN 150 | 143-WD150 | 160 | 153.6 | 280 | 500 | 300 | 550 | 230 | 250 |

* Custom-made products cannot be returned.
 Status: 03/22 b/s/t GmbH Koch Kunststofftechnologie reserves the right to make technical modifications.

b/s/t PP Energy Supply Duct WD

Stacking element

Specification ← Material
PP, high impact strength, UV-stabilised

Maximum pipe length
max. 1000 mm

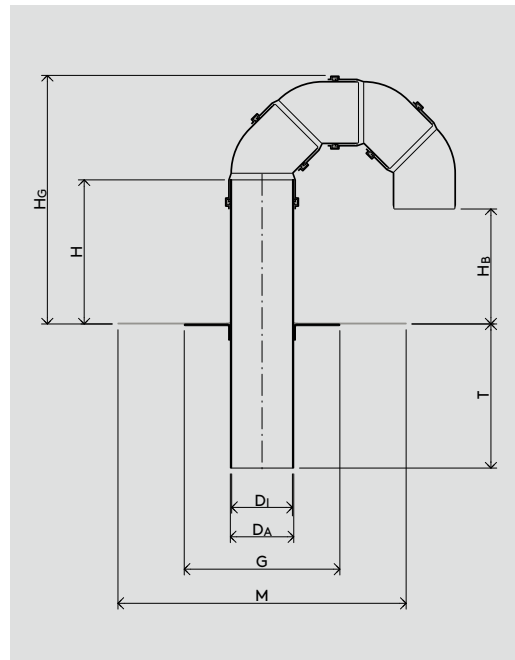
Note
Model with four high impact strength 45° PVC elbow pipes, UV-stabilised

Membrane flange
PP (see page 159)

INFO

Please order ←
membrane
flange
separately

Special models ←
on request*



WG 2117 ←

| Nominal Width | Product No. | DAØ [mm] | D1Ø [mm] | G [mm] | M [mm] | H [mm] | HG [mm] | Hb [mm] | T [mm] |
|---------------|-------------|----------|----------|--------|--------|--------|---------|---------|--------|
| DN 100 | PP143-WD100 | 110 | 104.6 | 270 | 500 | 250 | 420 | 190 | 250 |
| DN 125 | PP143-WD125 | 125 | 118.8 | 270 | 500 | 250 | 450 | 190 | 250 |
| DN 150 | PP143-WD150 | 160 | 152.0 | 270 | 500 | 300 | 550 | 230 | 250 |

* Custom-made products cannot be returned.

Status: 03/22 b/s/t GmbH Koch Kunststofftechnologie reserves the right to make technical modifications.

b/s/t PE Energy Supply Duct WD

Stacking element

Specification ← **Material**
 PE, high impact strength, UV-stabilised

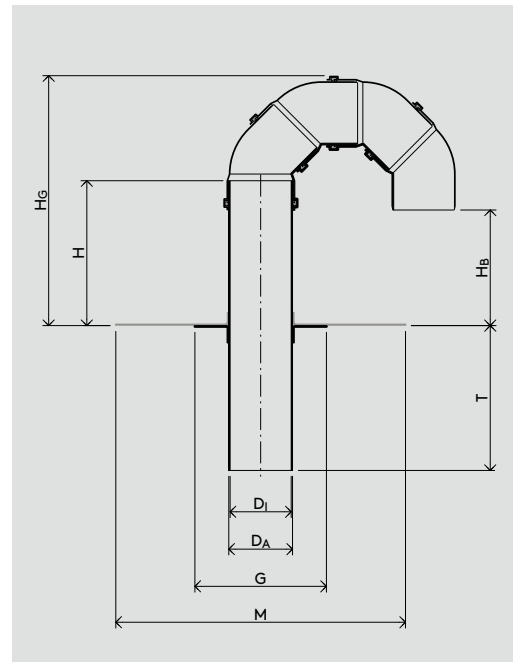
Maximum pipe length
 max. 1000 mm

Note
 Model with four high impact strength 45° PVC elbow pipes, UV-stabilised

Membrane flange
 PE (see page 159)

INFO Please order ←
 membrane
 flange
 separately

Special models ←
 on request*



WG 2117 ←

| Nominal Width | Product No. | DA Ø [mm] | Di Ø [mm] | G [mm] | M [mm] | H [mm] | Hg [mm] | Hb [mm] | T [mm] |
|---------------|-------------|-----------|-----------|--------|--------|--------|---------|---------|--------|
| DN 100 | PE143-WD100 | 110 | 104.6 | 270 | 500 | 250 | 420 | 190 | 250 |
| DN 125 | PE143-WD125 | 125 | 118.8 | 270 | 500 | 250 | 450 | 190 | 250 |
| DN 150 | PE143-WD150 | 160 | 152.0 | 270 | 500 | 300 | 550 | 230 | 250 |

* Custom-made products cannot be returned.
 Status: 03/22 b/s/t GmbH Koch Kunststofftechnologie reserves the right to make technical modifications.

b/s/t ALIT Energy Supply Duct WD

Stacking element

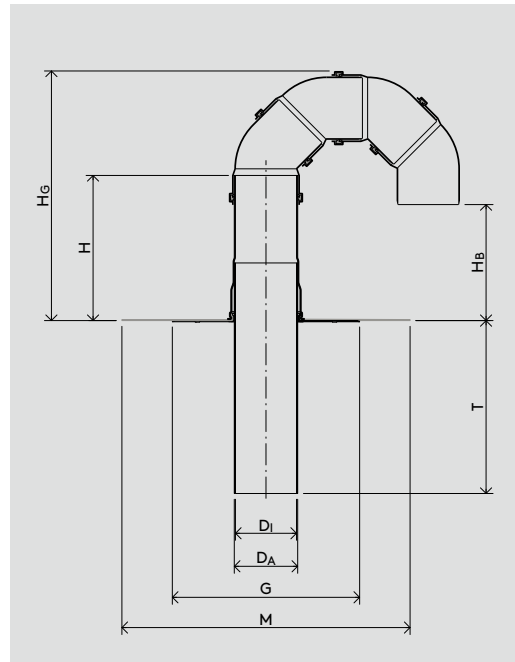
Specification ← Material
Aluminium

Note
Model with four high impact strength 45° PVC elbow pipes, UV-stabilised

Membrane flange
Polyolefin, EPDM, ECB, PIB, PVC etc.
(see page 158 – 159)

INFO Please order ←
membrane
flange
separately

Special models ←
on request*



WG 1215 ←

| Nominal Width | Product No. | DAØ [mm] | DIØ [mm] | GØ [mm] | M [mm] | H [mm] | HG [mm] | HB [mm] | T [mm] |
|---------------|-------------|----------|----------|---------|--------|--------|---------|---------|--------|
| DN 100 | A143-WD100 | 110 | 106 | 325 | 500 | 250 | 435 | 190 | 300 |
| DN 125 | A143-WD125 | 125 | 121 | 325 | 500 | 250 | 450 | 190 | 300 |
| DN 150 | A143-WD150 | 160 | 156 | 325 | 500 | 300 | 550 | 230 | 300 |

* Custom-made products cannot be returned.
Status: 03/22 b/s/t GmbH Koch Kunststofftechnologie reserves the right to make technical modifications.

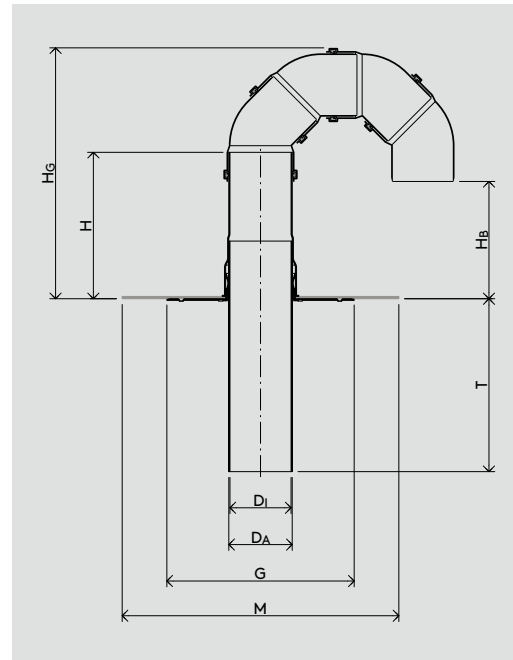
b/s/t ALIT Energy Supply Duct WD Bitumen

Stacking element

Specification ← Material
Aluminium

Note
Model with four high impact strength 45°
PVC elbow pipes, UV-stabilised

Membrane flange
SBS bitumen roofing membrane



WG 1215 ←

| Nominal Width | Product No. | $D_A \emptyset$ [mm] | $D_I \emptyset$ [mm] | $G \emptyset$ [mm] | $M \emptyset$ [mm] | H [mm] | H_G [mm] | H_B [mm] | T [mm] |
|---------------|-------------|----------------------|----------------------|--------------------|--------------------|--------|------------|------------|--------|
| DN 100 | A143-BWD100 | 110 | 106 | 325 | 480 | 250 | 435 | 190 | 300 |
| DN 125 | A143-BWD125 | 125 | 121 | 325 | 480 | 250 | 450 | 190 | 300 |
| DN 150 | A143-BWD150 | 160 | 156 | 325 | 480 | 300 | 550 | 230 | 300 |

b/s/t PVC Cable Duct KD

Specification ← **Material**
PVC-U, shigh impact strength,
UV-stabilised

Special model*
Maximum base plate inclination of 25° for
DN 50 – DN 200

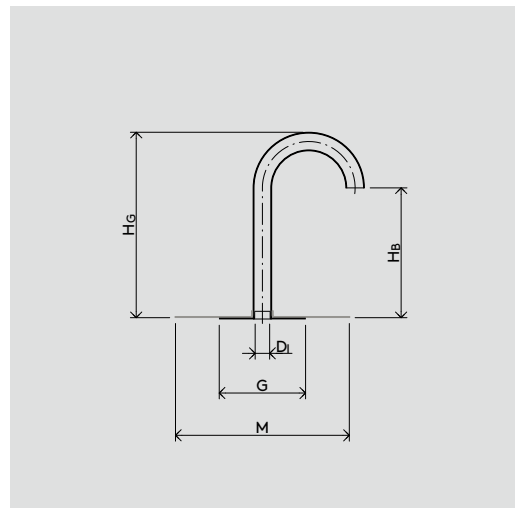
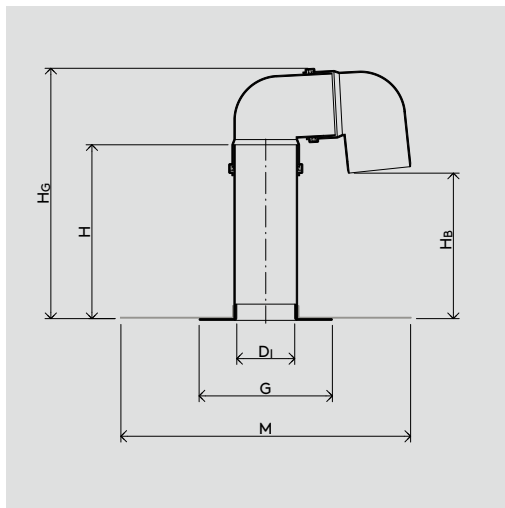
Not
From DN 50 model with two 87° PVC
elbow pipes

Membrane flange
PVC, EVA (see page 158)

INFO

Please order ←
membrane
flange
separately

Special models ←
on request*



WG 1215 ←

| Nominal Width | Product No. | D ₁ ∅ [mm] | G [mm] | M [mm] | H [mm] | H _G [mm] | H _B [mm] |
|---------------|-------------|-----------------------|--------|--------|--------|---------------------|---------------------|
| ∅ 32 mm | 142-KD032 | 24 | 150 | 300 | 220 | 320 | 220 |
| DN 50 | 142-KD050 | 43 | 150 | 300 | 300 | 365 | 265 |
| DN 70 | 142-KD070 | 67 | 180 | 350 | 300 | 390 | 255 |
| DN 100 | 142-KD100 | 100 | 230 | 500 | 300 | 435 | 250 |
| DN 125 | 142-KD125 | 110 | 230 | 500 | 300 | 455 | 240 |
| DN 150 | 142-KD150 | 149 | 260 | 500 | 300 | 495 | 230 |
| DN 200* | 142-KD200 | 192 | 400 | 580 | 300 | 540 | 220 |

* Custom-made products cannot be returned.

Status: 03/22 b/s/t GmbH Koch Kunststofftechnologie reserves the right to make technical modifications.

b/s/t PP Cable Duct KD

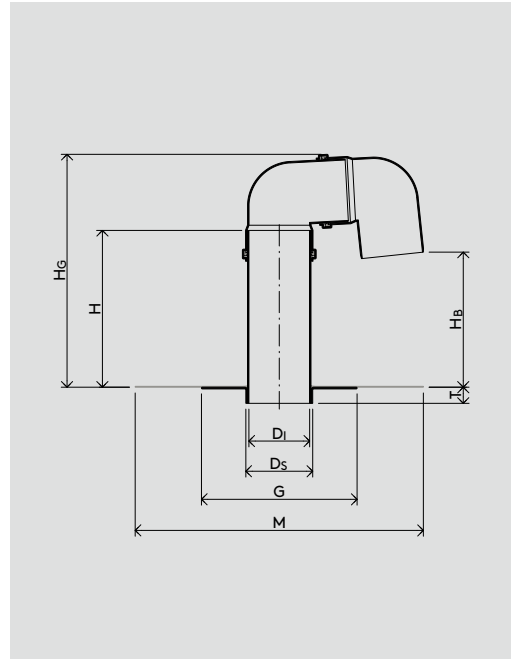
Specification ← Material
PP, high impact strength, UV-stabilised

Note
Model with two high impact strength 87°
PVC elbow pipes, UV-stabilised

Membrane flange
PP (see page 159)

INFO Please order ←
membrane
flange
separately

Special models ←
on request*



WG 2117 ←

| Nominal Width | Product No. | D ₁ ∅ [mm] | D _s ∅ [mm] | G [mm] | M [mm] | H [mm] | H _G [mm] | H _B [mm] | T [mm] |
|---------------|-------------|-----------------------|-----------------------|--------|--------|--------|---------------------|---------------------|--------|
| DN 50 | PP142-KD050 | 44.2 | 56 | 200 | 350 | 272 | 337 | 237 | 28 |
| DN 70 | PP142-KD070 | 70.4 | 81 | 200 | 350 | 272 | 362 | 227 | 28 |
| DN 100 | PP142-KD100 | 104.6 | 116 | 270 | 500 | 272 | 407 | 222 | 28 |
| DN 125 | PP142-KD125 | 118.8 | 131 | 270 | 500 | 272 | 455 | 240 | 28 |
| DN 150 | PP142-KD150 | 152.0 | 166 | 270 | 500 | 272 | 495 | 210 | 28 |
| DN 200* | PP142-KD200 | 187.6 | 206 | 400 | 580 | 272 | 512 | 192 | 28 |

* Custom-made products cannot be returned.

Status: 03/22 b/s/t GmbH Koch Kunststofftechnologie reserves the right to make technical modifications.

b/s/t PE Cable Duct KD

Specification ← Material
PE, high impact strength, UV-stabilised

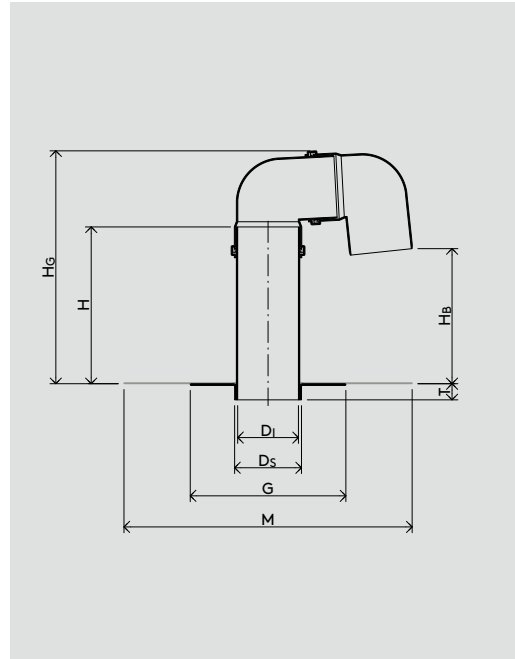
Note
Model with two high impact strength 87°
PVC elbow pipes, UV-stabilised

Membrane flange
PE (see page 159)

INFO

Please order ←
membrane
flange
separately

Special models ←
on request*



WG 2117 ←

| Nominal Width | Product No. | D ₁ ∅ [mm] | D _s ∅ [mm] | G [mm] | M [mm] | H [mm] | H _G [mm] | H _B [mm] | T [mm] |
|---------------|-------------|-----------------------|-----------------------|--------|--------|--------|---------------------|---------------------|--------|
| DN 50 | PE142-KD050 | 44.0 | 56 | 200 | 350 | 272 | 337 | 237 | 28 |
| DN 70 | PE142-KD070 | 71.2 | 81 | 200 | 350 | 272 | 362 | 227 | 28 |
| DN 100 | PE142-KD100 | 104.6 | 116 | 270 | 500 | 272 | 407 | 222 | 28 |
| DN 125 | PE142-KD125 | 118.8 | 131 | 270 | 500 | 272 | 427 | 220 | 28 |
| DN 150 | PE142-KD150 | 152.0 | 166 | 270 | 500 | 272 | 468 | 210 | 28 |
| DN 200* | PE142-KD200 | 187.6 | 206 | 400 | 580 | 272 | 512 | 192 | 28 |

* Custom-made products cannot be returned.

Status: 03/22 b/s/t GmbH Koch Kunststofftechnologie reserves the right to make technical modifications.

b/s/t ALIT Cable Duct KD

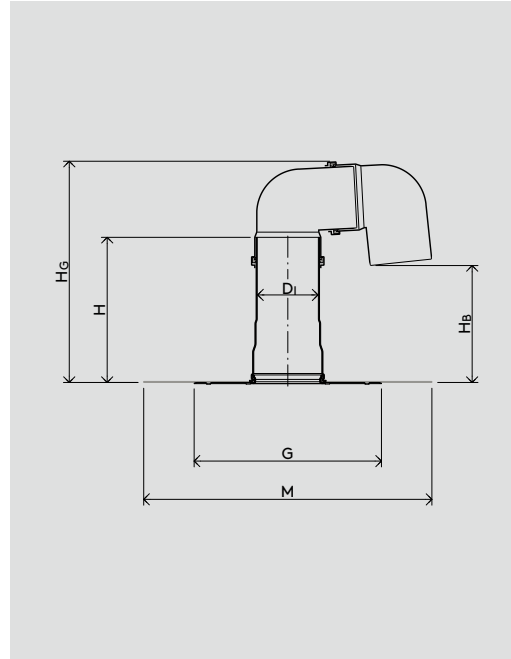
Specification ← Material
Aluminium

Note
Model with two 87° PVC elbow pipes, high impact strength, UV-stabilised

Membrane flange
Polyolefin, EPDM, ECB, PIB, PVC etc.
(see page 158 – 159)

INFO Please order ←
membrane
flange
separately

Special models ←
on request*



WG 1215 ←

| Nominal Width | Product No. | DiØ [mm] | GØ [mm] | M [mm] | H [mm] | Hg [mm] | Hb [mm] |
|---------------|-------------|----------|---------|--------|--------|---------|---------|
| DN 70 | A142-KD070 | 71 | 325 | 500 | 250 | 340 | 205 |
| DN 100 | A142-KD100 | 106 | 325 | 500 | 250 | 385 | 200 |
| DN 125 | A142-KD125 | 121 | 325 | 500 | 250 | 405 | 200 |
| DN 150 | A142-KD150 | 156 | 325 | 500 | 300 | 495 | 240 |

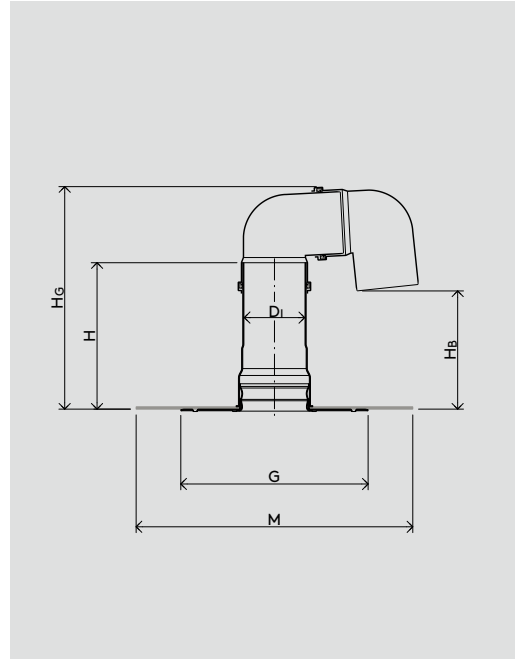
* Custom-made products cannot be returned.
Status: 03/22 b/s/t GmbH Koch Kunststofftechnologie reserves the right to make technical modifications.

b/s/t ALIT Cable Duct KD Bitumen

Specification ← Material
Aluminium

Note
Model with two high impact strength 87°
PVC elbow pipes, UV-stabilised

Membrane flange
SBS bitumen roofing membrane



WG 1215 ←

| Nominal Width | Product No. | $D_i \varnothing$ [mm] | $G \varnothing$ [mm] | $M \varnothing$ [mm] | H [mm] | H_G [mm] | H_B [mm] |
|---------------|-------------|------------------------|----------------------|----------------------|--------|------------|------------|
| DN 100 | A142-BKD100 | 106 | 325 | 480 | 250 | 385 | 200 |
| DN 125 | A142-BKD125 | 121 | 325 | 480 | 250 | 405 | 200 |
| DN 150 | A142-BKD150 | 156 | 325 | 480 | 300 | 495 | 240 |

b/s/t PVC Energy Supply Duct KD

Specification ← **Material**
 PVC-U, high impact strength,
 UV-stabilised

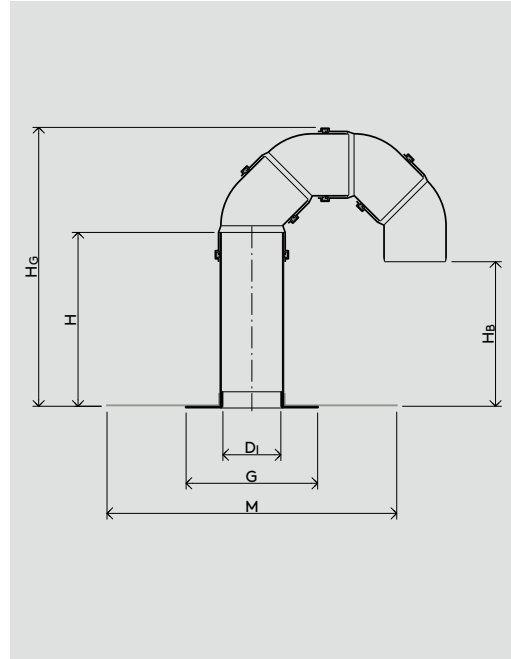
Special model*
 Maximum base plate inclination
 of 25° for DN 50 – 150

Note
 Model with four 45° PVC elbow pipes

Membrane flange
 PVC, EVA (see page 158)

INFO Please order ←
 membrane
 flange
 separately

Special models ←
 on request*



WG 1117 ←

| Nominal Width | Product No. | $D_i \varnothing$ [mm] | G [mm] | M [mm] | H [mm] | H_G [mm] | H_B [mm] |
|---------------|-------------|------------------------|--------|--------|--------|------------|------------|
| DN 100 | 143-KD100 | 100 | 230 | 500 | 300 | 470 | 240 |
| DN 125 | 143-KD125 | 110 | 230 | 500 | 300 | 500 | 240 |
| DN 150 | 143-KD150 | 149 | 260 | 500 | 300 | 550 | 230 |

* Custom-made products cannot be returned.
 Status: 03/22 b/s/t GmbH Koch Kunststofftechnologie reserves the right to make technical modifications.

b/s/t PP Energy Supply Duct KD

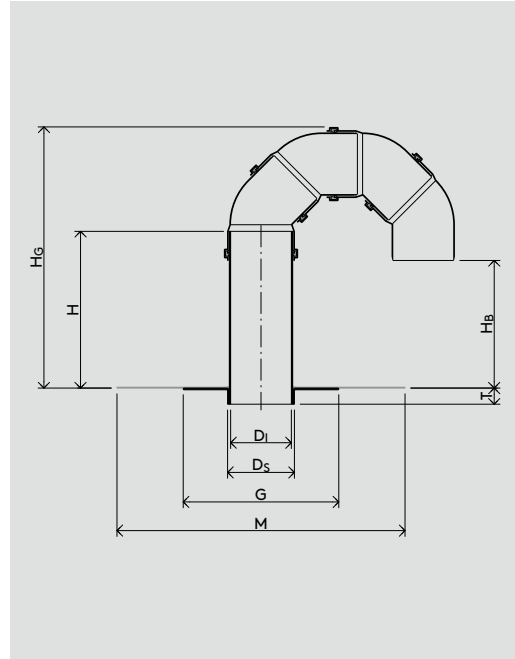
Specification ← Material
 PP, high impact strength, UV-stabilised

Note
 Model with four high impact strength 45° PVC elbow pipes, UV-stabilised

Membrane flange
 PP (see page 159)

INFO Please order ←
 membrane
 flange
 separately

Special models ←
 on request*



WG 2117 ←

| Nominal Width | Product No. | D ₁ ∅ [mm] | D _s ∅ [mm] | G [mm] | M [mm] | H [mm] | H _G [mm] | H _B [mm] | T [mm] |
|---------------|-------------|-----------------------|-----------------------|--------|--------|--------|---------------------|---------------------|--------|
| DN 100 | PP143-KD100 | 104.6 | 116 | 270 | 500 | 272 | 442 | 212 | 28 |
| DN 125 | PP143-KD125 | 118.8 | 131 | 270 | 500 | 272 | 475 | 212 | 28 |
| DN 150 | PP143-KD150 | 152.0 | 166 | 270 | 500 | 272 | 525 | 205 | 28 |

* Custom-made products cannot be returned.
 Status: 03/22 b/s/t GmbH Koch Kunststofftechnologie reserves the right to make technical modifications.

b/s/t PE Energy Supply Duct KD

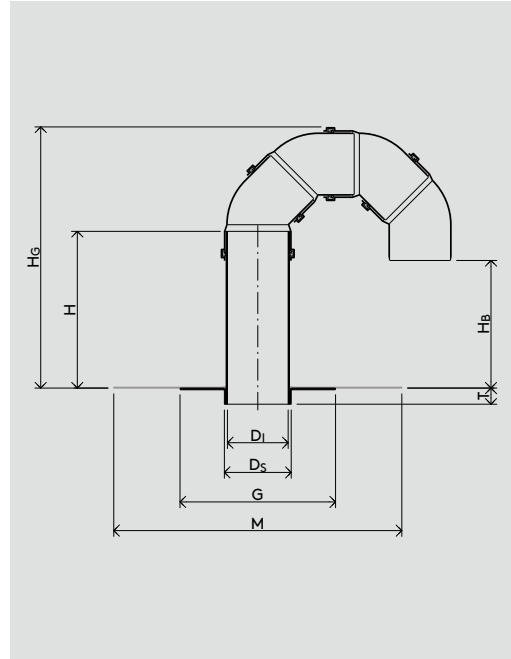
Specification ← **Material**
PE, high impact strength, UV-stabilised

Note
Model with four high impact strength 45° PVC elbow pipes, UV-stabilised

Membrane flange
PE (see page 159)

INFO Please order ←
membrane
flange
separately

Special models ←
on request*



WG 2117 ←

| Nominal Width | Product No. | D ₁ ∅ [mm] | D _s ∅ [mm] | G [mm] | M [mm] | H [mm] | H _G [mm] | H _B [mm] | T [mm] |
|---------------|-------------|-----------------------|-----------------------|--------|--------|--------|---------------------|---------------------|--------|
| DN 100 | PE143-KD100 | 104.6 | 116 | 270 | 500 | 272 | 442 | 212 | 28 |
| DN 125 | PE143-KD125 | 118.8 | 131 | 270 | 500 | 272 | 475 | 212 | 28 |
| DN 150 | PE143-KD150 | 152.0 | 166 | 270 | 500 | 272 | 525 | 205 | 28 |

* Custom-made products cannot be returned.
Status: 03/22 b/s/t GmbH Koch Kunststofftechnologie reserves the right to make technical modifications.

b/s/t ALIT Energy Supply Duct KD

Specification ← Material
Aluminium

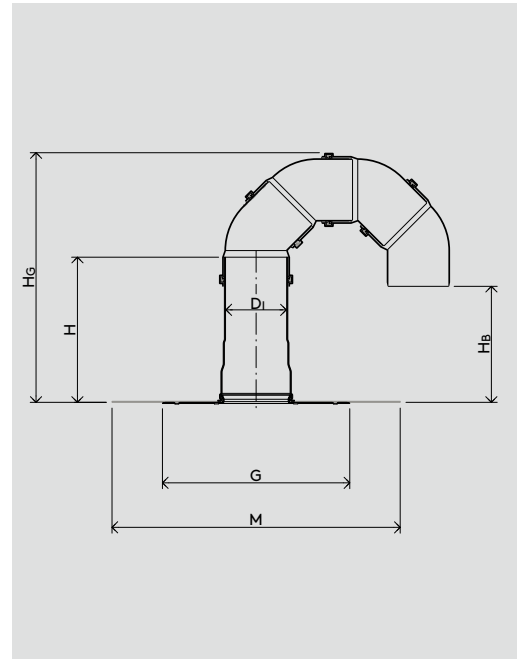
Note
Model with four high impact strength 45°
PVC elbow pipes, UV-stabilised

Membrane flange
Polyolefin, EPDM, ECB, PIB, PVC etc.
(see page 158 – 159)

INFO

Please order ←
membrane
flange
separately

Special models ←
on request*



| WG 1215 ← | Nominal Width | Product No. | $D_i \varnothing$ [mm] | $G \varnothing$ [mm] | M [mm] | H [mm] | H_G [mm] | H_B [mm] |
|-----------|---------------|-------------|------------------------|----------------------|--------|--------|------------|------------|
| | DN 100 | A143-KD100 | 106 | 325 | 500 | 250 | 435 | 190 |
| | DN 125 | A143-KD125 | 121 | 325 | 500 | 250 | 450 | 190 |
| | DN 150 | A143-KD150 | 156 | 325 | 500 | 300 | 550 | 230 |

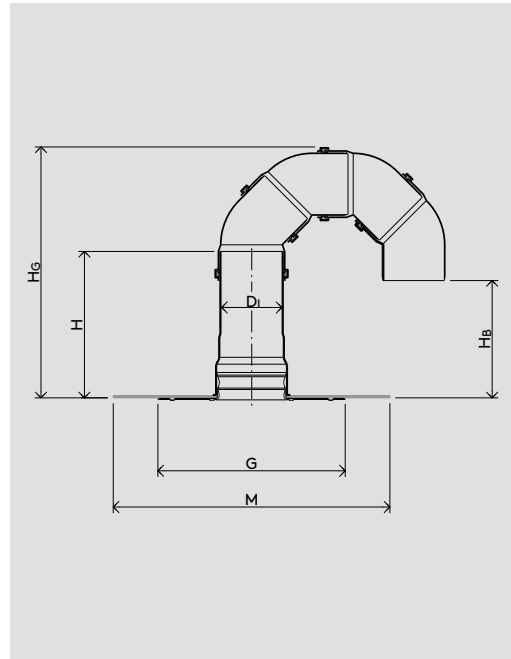
* Custom-made products cannot be returned.
Status: 03/22 b/s/t GmbH Koch Kunststofftechnologie reserves the right to make technical modifications.

b/s/t ALIT Energy Supply Duct KD Bitumen

Specification ← Material
Aluminium

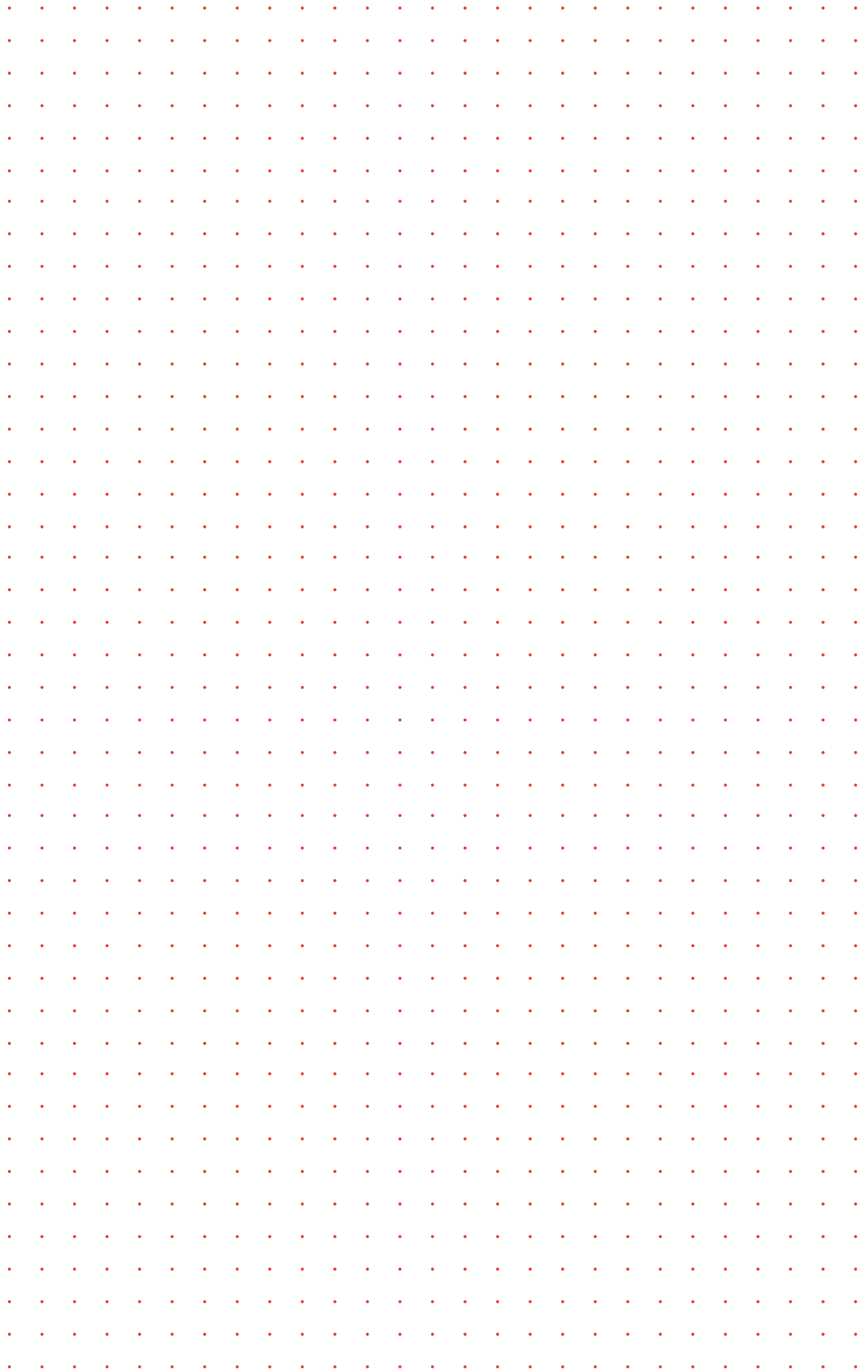
NOte
Model with four 45° PVC elbow pipes,
high impact strength, UV-stabilised

Membrane flange
SBS bitumen roofing membrane



WG 1215 ←

| Nominal Width | Product No. | D _i ∅[mm] | G∅[mm] | M∅[mm] | H[mm] | H _G [mm] | H _B [mm] |
|---------------|-------------|----------------------|--------|--------|-------|---------------------|---------------------|
| DN 100 | A143-BKD100 | 106 | 325 | 480 | 250 | 435 | 190 |
| DN 125 | A143-BKD125 | 121 | 325 | 480 | 250 | 450 | 190 |
| DN 150 | A143-BKD150 | 156 | 325 | 480 | 300 | 550 | 230 |



Installation Sample:

Modular System ←
can be com-
bined with all
Control Pipes
(see page 54).



PVC Control Pipe Cap
(see page 105)



Pipe Core
(see page 105)



PVC Control Pipe
(see page 54)



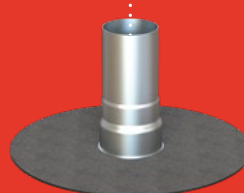
PP Control Pipe
(see page 55)



PE Control Pipe
(see page 56)



ALIT Control Pipe
(see page 57)



ALIT Control Pipe Bitumen
(see page 58)

b/s/t PVC Control Pipe

Testing device for non-destructive moisture control on insulated flat roofs

Specification ←

Material

PVC-U, high impact strength, UV-stabilized

Including PVC Control Pipe Cap (removable) with sealing ring and EPS-foam Pipe Core

Maximum pipe length

max. 1000 mm

Special model*

– Pipe length selectable up and down

Membrane flange

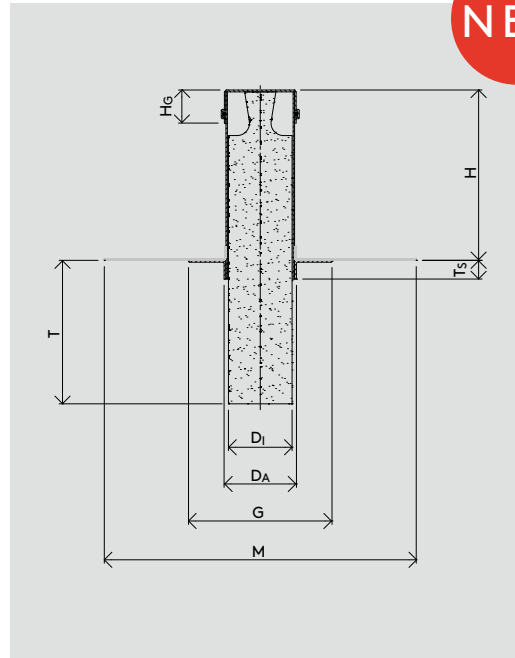
PVC, EVA (see page 158)

According to Ö-Norm B3691, additional service operations are required for roofs in use category K3. One of these service requirements is the installation of detection systems that enable non-destructive moisture control.

INFO

Please order ← membrane flange separately

Special models ← on request*



NEW

WG 1111 ←

| Nominal Width | Product No. | DAØ [mm] | DiØ [mm] | G [mm] | M [mm] | H [mm] | HG [mm] | Ts [mm] | T [mm] |
|---------------|-------------|----------|----------|--------|--------|--------|---------|---------|--------|
| DN 100 | 112-100 | 116 | 102 | 230 | 500 | 273 | 53 | 30 | 230 |

* Custom-made products cannot be returned.
 Status: 03.22 b/s/t GmbH Koch Kunststofftechnologie reserves the right to make technical modifications.

b/s/t PP Control Pipe

Testing device for non-destructive moisture control on insulated flat roofs

Specification ←

Material

PP, high impact strength, UV-stabilized

Including PVC Control Pipe Cap (removable, high impact strength, UV-stabilized) with sealing ring and EPS-foam Pipe Core

Maximum pipe length

max. 1000 mm

Special model*

– Pipe length selectable up and down

Membrane flange

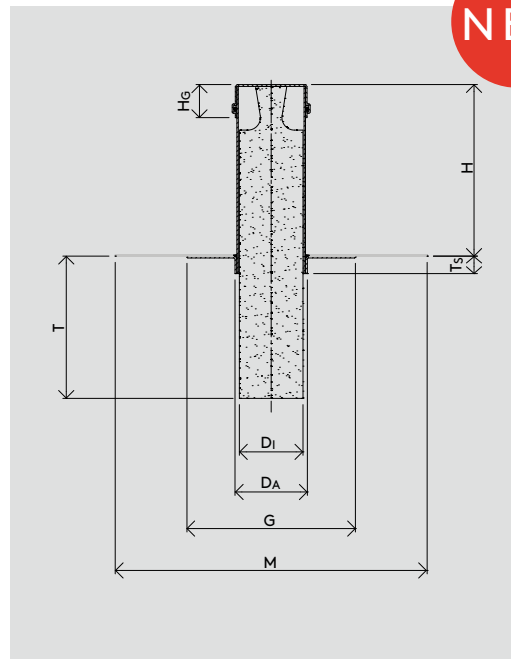
PP (see page 159)

According to Ö-Norm B3691, additional service operations are required for roofs in use category K3. One of these service requirements is the installation of detection systems that enable non-destructive moisture control.

INFO

Please order ← membrane flange separately

Special models ← on request*



NEW

WG 2111 ←

| Nominal Width | Product No. | DA Ø [mm] | DI Ø [mm] | G [mm] | M [mm] | H [mm] | Hg [mm] | Ts [mm] | T [mm] |
|---------------|-------------|-----------|-----------|--------|--------|--------|---------|---------|--------|
| DN 100 | PP112-100 | 116 | 102 | 270 | 500 | 275 | 53 | 28 | 228 |

* Custom-made products cannot be returned.
 Status: 03.22 b/s/t GmbH Koch Kunststofftechnologie reserves the right to make technical modifications.

b/s/t PE Control Pipe

Testing device for non-destructive moisture control on insulated flat roofs

Specification ← **Material**
PE, high impact strength, UV-stabilized

Including PVC Control Pipe Cap
(removable, high impact strength,
UV-stabilized) with sealing ring
and EPS-foam Pipe Core

Maximum pipe length
max. 1000 mm

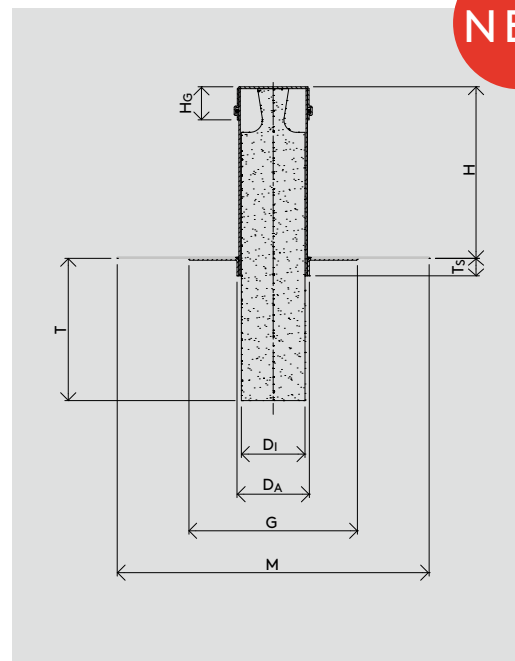
Special model*
– Pipe length selectable up and down

Membrane flange
PE (see page 159)

According to Ö-Norm B3691, additional
service operations are required for roofs in
use category K3. One of these service
requirements is the installation of detec-
tion systems that enable non-destructive
moisture control.

INFO Please order ←
membrane
flange
separately

Special models ←
on request*



WG 2111 ←

| Nominal Width | Product No. | DAØ [mm] | DiØ [mm] | G [mm] | M [mm] | H [mm] | Hg [mm] | Ts [mm] | T [mm] |
|---------------|-------------|----------|----------|--------|--------|--------|---------|---------|--------|
| DN 100 | PE112-100 | 116 | 102 | 270 | 500 | 275 | 53 | 28 | 228 |

* Custom-made products cannot be returned.

Status: 03.22 b/s/t GmbH Koch Kunststofftechnologie reserves the right to make technical modifications.

b/s/t ALIT Control Pipe

Testing device for non-destructive moisture control on insulated flat roofs

Specification ←

Material
Aluminium

Including PVC Control Pipe Cap (removable, high impact strength, UV-stabilized) with sealing ring and EPS-foam Pipe Core

Maximum pipe length
max. 1000 mm

Special model*

– Pipe length selectable up and down

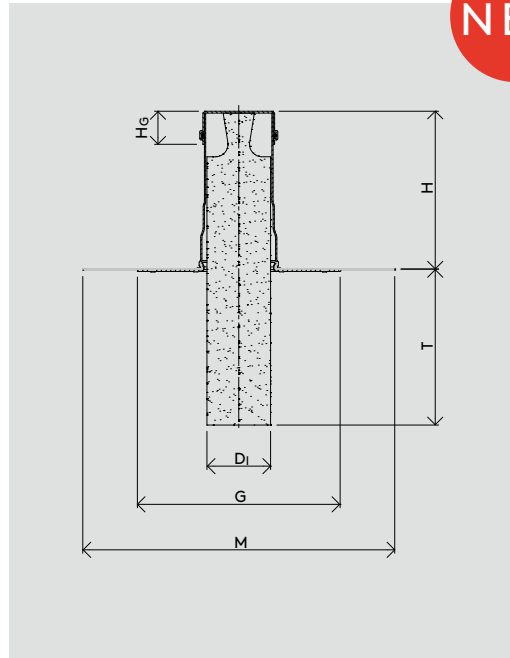
Membrane flange

Polyolefin, EPDM, ECB, PIB, PVC, etc. (see page 158 – 159)

According to Ö-Norm B3691, additional service operations are required for roofs in use category K3. One of these service requirements is the installation of detection systems that enable non-destructive moisture control.

INFO Please order ←
membrane
flange
separately

Special models ←
on request*



NEW

WG 1211 ←

| Nominal Width | Product No. | $D_i \varnothing$ [mm] | $G \varnothing$ [mm] | M [mm] | H [mm] | H_g [mm] | T [mm] |
|---------------|-------------|------------------------|----------------------|--------|--------|------------|--------|
| DN 100 | A112-100 | 102 | 325 | 500 | 253 | 53 | 250 |

* Custom-made products cannot be returned.
Status: 03.22 b/s/t GmbH Koch Kunststofftechnologie reserves the right to make technical modifications.

b/s/t ALIT Control Pipe Bitumen

Testing device for non-destructive moisture control on insulated flat roofs

Specification ←

Material
Aluminium

Including PVC Control Pipe Cap (removable, high impact strength, UV-stabilized) with sealing ring and EPS-foam Pipe Core

Maximum pipe length
max. 1000 mm

Special model*

– Pipe length selectable up and down

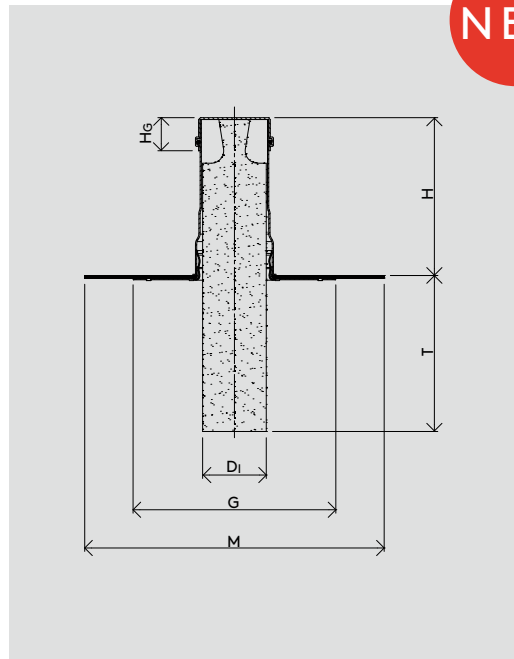
Membrane flange

SBS bitumen roofing membrane

According to Ö-Norm B3691, additional service operations are required for roofs in use category K3. One of these service requirements is the installation of detection systems that enable non-destructive moisture control.

INFO Please order ←
membrane
flange
separately

Special models ←
on request*



WG 1211 ←

| Nominal Width | Product No. | $D_i \text{ [mm]}$ | $G \text{ [mm]}$ | $M \text{ [mm]}$ | $H \text{ [mm]}$ | $H_g \text{ [mm]}$ | $T \text{ [mm]}$ |
|---------------|-------------|--------------------|------------------|------------------|------------------|--------------------|------------------|
| DN 100 | A112-B100 | 102 | 325 | 480 | 253 | 53 | 250 |

* Custom-made products cannot be returned.
Status: 03.22 b/s/t GmbH Koch Kunststofftechnologie reserves the right to make technical modifications.

Installation Sample: PVC/EVA Roofing Membrane + Vapour Barrier

Modular System ←
can be com-
bined with
all Drains
(see page 60).



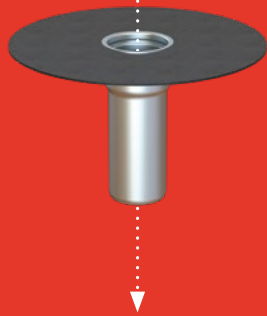
b/s/t Universal Leaf Guard
(see page 100)



PVC Drain
(see page 60)

b/s/t
Koch Kunst-
stofftechnologie
Nordstraße 1
83253 Rimsting

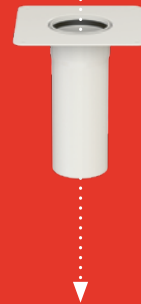
b/s/t
DIN EN 1253



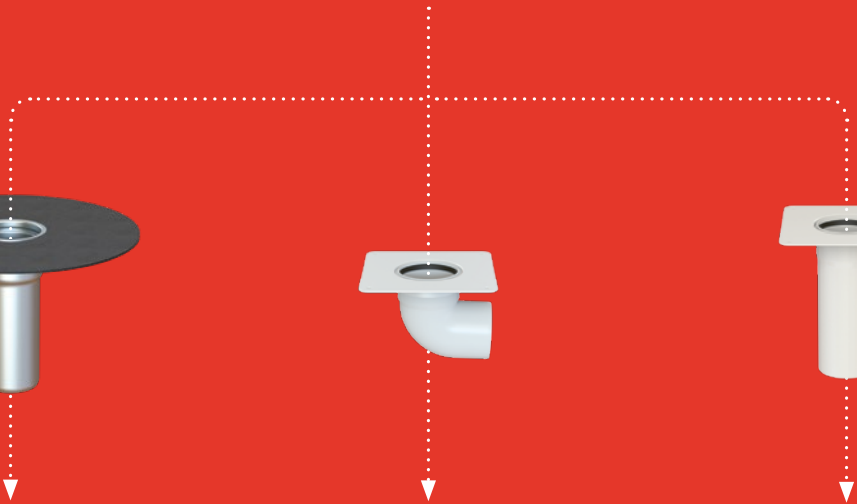
ALIT Deck Drain Bitumen
(see page 6)



PVC Basic Element
with horizontal drain
(see page 4)



PVC Deck Drain
(see page 5)



b/s/t PVC Drain

Stacking element

Specification ←

MaterialPVC-U, high impact strength,
UV-stabilisedSpecial model*

DN 250, DN 300

Maximum pipe length

max. 1000 mm

Different colour of pipe

DN 200

similar to RAL 7011

Base plate

Inclination of 25° max. for DN 50 – 150

Inclination of 5° max. for DN 200 – 300

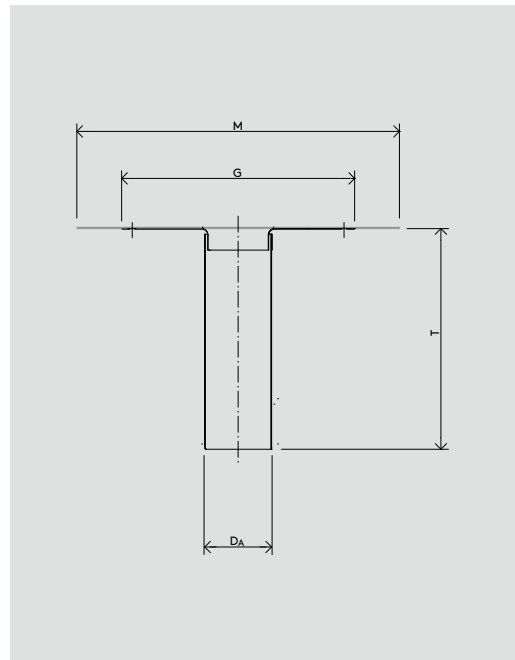
Membrane flange

PVC, EVA (see page 158)

INFO

Please order ←
membrane
flange
separatelySpecial models ←
on request*

Ø bis 300

b/s/t
Koch Kunst-
stofftechnologie
Nordstraße 1
83253 Rimsting

WG 1112 ←

| Nominal Width | Product No. | DAØ [mm] | G [mm] | M [mm] | T [mm] | Q** [l/sek] | hg*** [mm] |
|---------------|-------------|-------------|-----------|-----------|-----------|----------------|---------------|
| DN 50 | 121-050 | 50 | 150 | 300 | 300 | 0.90 | 35 |
| DN 70 | 121-070 | 75 | 180 | 350 | 300 | 4.40 | 35 |
| DN 80 | 121-080 | 90 | 200 | 350 | 300 | 5.00 | 35 |
| DN 100 | 121-100 | 110 | 230 | 500 | 300 | 6.00 | 35 |
| DN 125 | 121-125 | 125 | 230 | 500 | 300 | 9.00 | 45 |
| DN 150 | 121-150 | 160 | 260 | 500 | 300 | 10.60 | 45 |
| DN 200* | 121-200 | 200 | 400 | 580 | 300 | 13.00 | 45 |

* Custom-made products cannot be returned.

** Q [l/sek] Discharge capacity at the water level hG at the gully

*** hg [mm] Water level height/pressure height at the drain

Status: 03/22 b/s/t GmbH Koch Kunststofftechnologie reserves the right to make technical modifications.

b/s/t PP Drain

Stacking element

Specification ←

Material
PP, high impact strength,
UV-stabilised

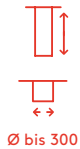
Membrane flange
PP (see page 159)

Special model*
DN 250, DN 300

Maximum pipe length
max. 1000 mm

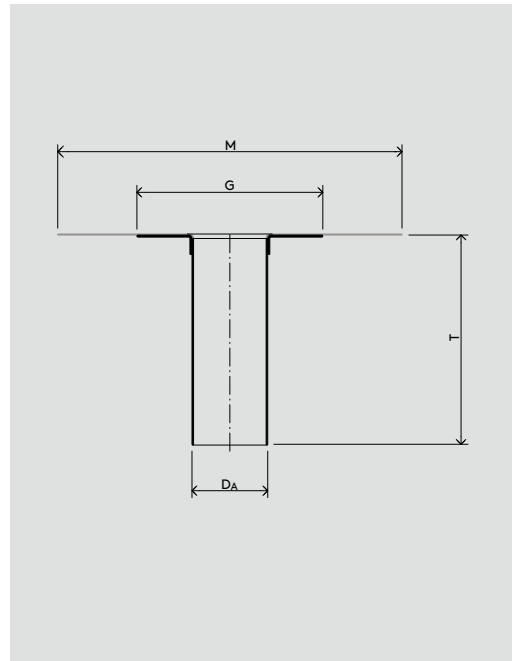
INFO Please order ←
membrane
flange
separately

Special models ←
on request*



Ø bis 300

b/s/t
Koch Kunst-
stofftechnologie
Nordstraße 1
83253 Rimsting



WG 2112 ←

| Nominal Width | Product No. | $D_A \varnothing$ [mm] | G [mm] | M [mm] | T [mm] | Q** [l/sek] | h_G *** [mm] |
|---------------|-------------|---------------------------|-----------|-----------|-----------|----------------|-------------------|
| DN 50 | PP121-050 | 50 | 200 | 350 | 300 | 0.90 | 35 |
| DN 70 | PP121-070 | 75 | 200 | 350 | 300 | 4.40 | 35 |
| DN 80 | PP121-080 | 90 | 200 | 350 | 300 | 5.00 | 35 |
| DN 100 | PP121-100 | 110 | 270 | 500 | 300 | 6.00 | 35 |
| DN 125 | PP121-125 | 125 | 270 | 500 | 300 | 9.00 | 45 |
| DN 150 | PP121-150 | 160 | 270 | 500 | 300 | 10.60 | 45 |
| DN 200* | PP121-200 | 200 | 400 | 580 | 300 | 13.00 | 45 |

* Custom-made products cannot be returned.

** Q [l/sek] Discharge capacity at the water level h_G at the gully

*** h_G [mm] Water level height/pressure height at the drain

Status: 03/22 b/s/t GmbH Koch Kunststofftechnologie reserves the right to make technical modifications.

b/s/t PE Drain

Stacking element

Specification ←

Material
PE, high impact strength, UV-stabilised

Maximum pipe length
max. 1000 mm

Special model*
DN 250, DN 300

Membrane flange
PE (see page 159)

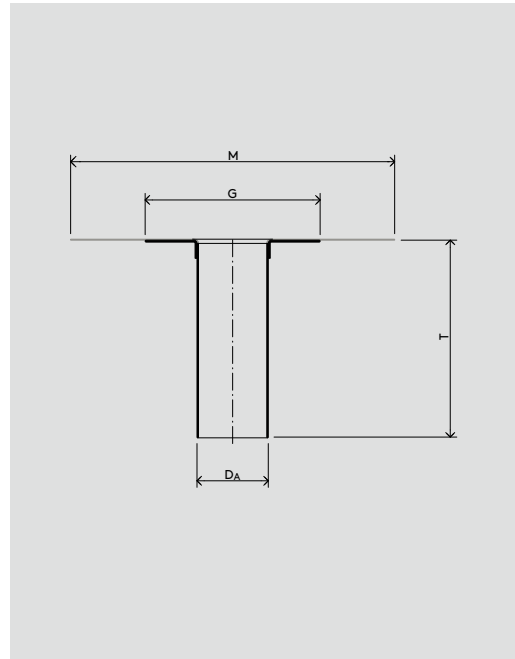
INFO

Please order ←
membrane
flange
separately

Special models ←
on request*



Ø bis 300



b/s/t
Koch Kunst-
stofftechnologie
Nordstraße 1
83253 Rimsting



WG 2112 ←

| Nominal Width | Product No. | DAØ [mm] | G [mm] | M [mm] | T [mm] | Q** [l/sek] | hG*** [mm] |
|---------------|-------------|-------------|-----------|-----------|-----------|----------------|---------------|
| DN 50 | PE121-050 | 50 | 200 | 350 | 300 | 0.90 | 35 |
| DN 70 | PE121-070 | 75 | 200 | 350 | 300 | 4.40 | 35 |
| DN 80 | PE121-080 | 90 | 200 | 350 | 300 | 5.00 | 35 |
| DN 100 | PE121-100 | 110 | 270 | 500 | 300 | 6.00 | 35 |
| DN 125 | PE121-125 | 125 | 270 | 500 | 300 | 9.00 | 45 |
| DN 150 | PE121-150 | 160 | 270 | 500 | 300 | 10.60 | 45 |
| DN 200* | PE121-200 | 200 | 400 | 580 | 300 | 13.00 | 45 |

* Custom-made products cannot be returned.

** Q [l/sek] Discharge capacity at the water level hG at the gully

*** hG [mm] Water level height/pressure height at the drain

Status: 03/22 b/s/t GmbH Koch Kunststofftechnologie reserves the right to make technical modifications.

b/s/t ALIT Drain

Stacking element

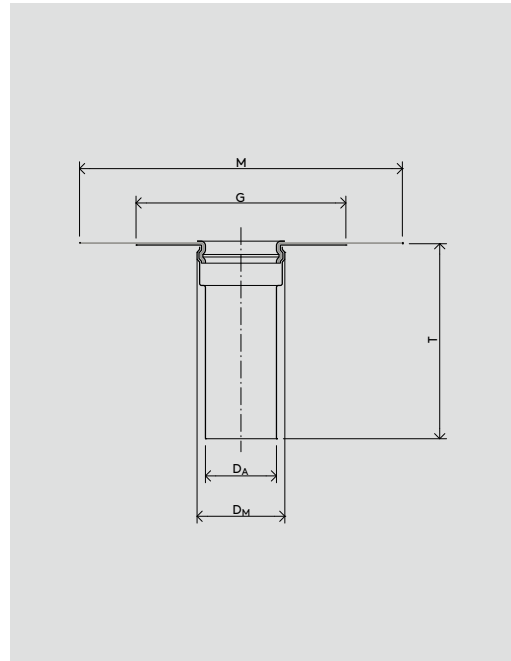
Specification ←

Material
AluminiumPipe length
300 mm or 450 mm
with base plate

For connection to the roof sealing sheets

Membrane flange
Polyolefin, EPDM, ECB, PIB, PVC etc.
(see page 158 – 159)

INFO

Please order ←
membrane
flange
separatelySpecial models ←
on request*b/s/t
Koch Kunst-
stofftechnologie
Nordstraße 1
83253 Rimsting

WG 1212 ←

| Nominal Width | Product No. | $D_A \emptyset$ [mm] | $D_M \emptyset$ [mm] | $G \emptyset$ [mm] | M [mm] | T [mm] | Q^{**} [l/sek] | h_G^{***} [mm] |
|---------------|-------------|----------------------|----------------------|--------------------|--------|--------|------------------|------------------|
| DN 70 | A121-070450 | 75 | 90 | 325 | 500 | 450 | 4.40 | 35 |
| DN 80 | A121-080450 | 90 | 105 | 325 | 500 | 450 | 5.00 | 35 |
| DN 100 | A121-100300 | 110 | 130 | 325 | 500 | 300 | 6.00 | 35 |
| DN 100 | A121-100450 | 110 | 130 | 325 | 500 | 450 | 6.00 | 35 |
| DN 125 | A121-125300 | 125 | 145 | 325 | 500 | 300 | 9.00 | 45 |
| DN 125 | A121-125450 | 125 | 145 | 325 | 500 | 450 | 9.00 | 45 |
| DN 150 | A121-150300 | 160 | 175 | 325 | 500 | 300 | 10.60 | 45 |

* Custom-made products cannot be returned.

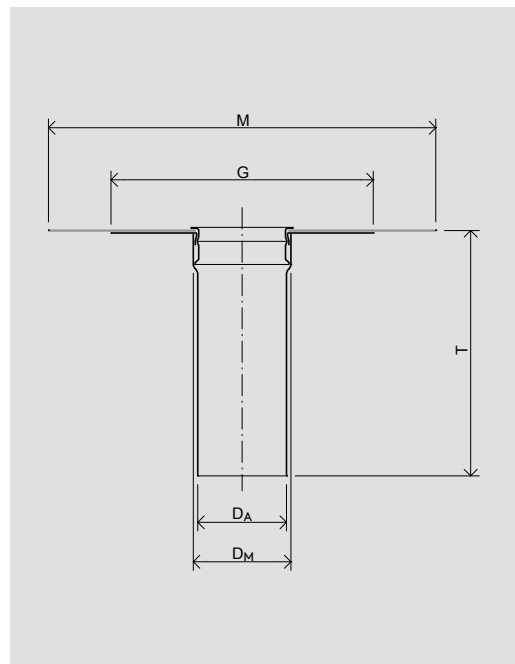
** Q [l/sek] Discharge capacity at the water level h_G at the gully*** h_G [mm] Water level height/pressure height at the drain

Status: 03/22 b/s/t GmbH Koch Kunststofftechnologie reserves the right to make technical modifications.

b/s/t ALIT Drain Bitumen

Stacking element

Specification ←

Material
AluminiumMembrane flange
SBS bitumen roofing membranePipe length
300 mm or 450 mm
with base plate

WG 1212 ←

| Nominal Width | Product No. | $D_A \emptyset$ [mm] | $D_M \emptyset$ [mm] | $G \emptyset$ [mm] | $M \emptyset$ [mm] | T [mm] | Q^* [l/sek] | h_G^{**} [mm] |
|---------------|--------------|----------------------|----------------------|--------------------|--------------------|--------|---------------|-----------------|
| DN 70 | A121-B070450 | 75 | 87 | 325 | 480 | 450 | 4.40 | 35 |
| DN 80 | A121-B080450 | 90 | 102 | 325 | 480 | 450 | 5.00 | 35 |
| DN 100 | A121-B100300 | 110 | 123 | 325 | 480 | 300 | 6.00 | 35 |
| DN 100 | A121-B100450 | 110 | 123 | 325 | 480 | 450 | 6.00 | 35 |
| DN 125 | A121-B125300 | 125 | 138 | 325 | 480 | 300 | 9.00 | 45 |
| DN 125 | A121-B125450 | 125 | 138 | 325 | 480 | 450 | 9.00 | 45 |
| DN 150 | A121-B150300 | 160 | 173 | 325 | 480 | 300 | 10.60 | 45 |

* Q [l/sek] Discharge capacity at the water level h_G at the gully** h_G [mm] Water level height / pressure height at the drain

Status: 03/22 b/s/t GmbH Koch Kunststofftechnologie reserves the right to make technical modifications.

b/s/t PVC Retrofit Drain

Specification ← **Material**
 PVC-U, high impact strength,
 UV-stabilised

Including
 b/s/t Universal gravel guard
 high impact strength, UV-stabilised
 b/s/t Universal Anti Backflow Seal

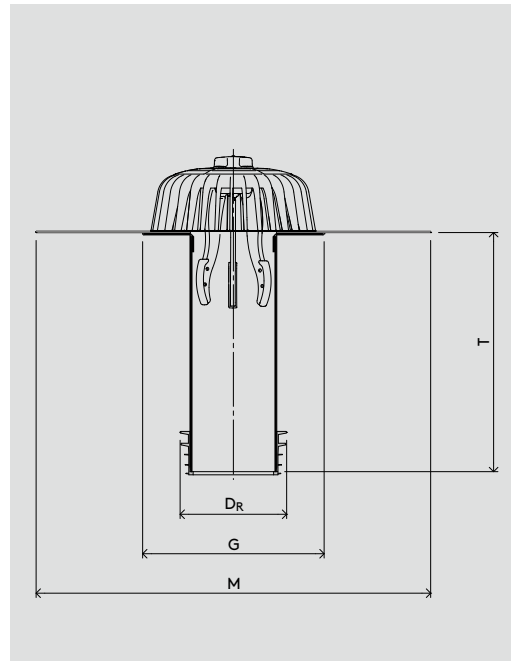
Special model*
 Maximum pipe length 1000 mm

For the safe connection of outlets to
 downpipes without existing sleeve;
 verification of fit to existing drain is
 the responsibility of the installer.

Membrane flange
 PVC, EVA (see page 158)

INFO Please order ←
 membrane
 flange
 separately

Special models ←
 on request*



b/s/t
 Koch Kunst-
 stofftechnologie
 Nordstraße 1
 83253 Rimsting



WG 1112 ←

| Nominal Width | Product No. | DR**Ø [mm] | Dv***Ø [mm] | G [mm] | M [mm] | T [mm] | Q**** [l/sek] | hg***** [mm] |
|---------------|-------------|------------|-------------|--------|--------|--------|---------------|--------------|
| DN 70 | 121-SG070 | 87-108 | 83-106 | 180 | 350 | 300 | 4.40 | 35 |
| DN 80 | 121-SG080 | 105-111 | 101-108 | 200 | 350 | 300 | 5.00 | 35 |
| DN 100 | 121-SG100 | 120-135 | 116-131 | 230 | 500 | 300 | 6.00 | 35 |
| DN 125 | 121-SG125 | 152-160 | 148-158 | 230 | 500 | 300 | 9.00 | 45 |
| DN 150 | 121-SG150 | 194-200 | 190-195 | 260 | 500 | 300 | 10.60 | 45 |

* Custom-made products cannot be returned.
 ** DR = DR = outer diameter - area of the sealing lip
 *** Dv = inside diameter, range calibration of the existing drain pipe
 **** Q [l/sek] Discharge capacity at the water level hG at the gully
 ***** hg [mm] Water level height/pressure height at the drain
 Status: 03/22 b/s/t GmbH Koch Kunststofftechnologie reserves the right to make technical modifications.

b/s/t PP Retrofit Drain

Specification ← Material
 PP, high impact strength, UV-stabilised

Including
 b/s/t Universal gravel guard
 high impact strength, UV-stabilised
 b/s/t Universal Anti Backflow Seal

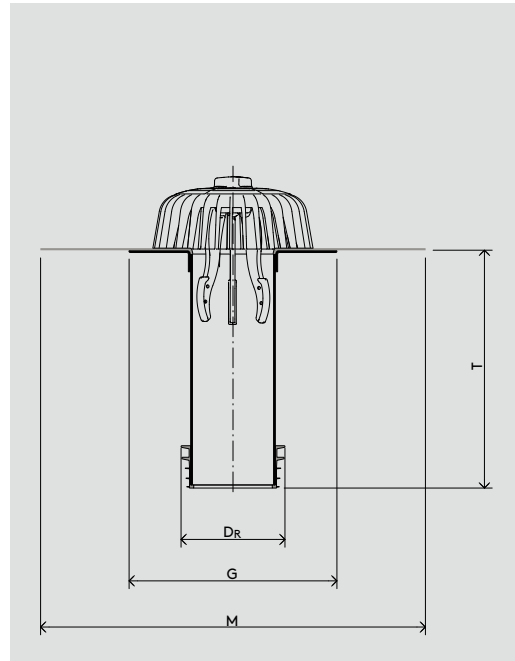
Special model*
 Maximum pipe length 1000 mm

For the safe connection of outlets to downpipes without existing sleeve; verification of fit to existing drain is the responsibility of the installer.

Membrane flange
 PP (see page 159)

INFO Please order ←
 membrane
 flange
 separately

Special models ←
 on request*



b/s/t
 Koch Kunststofftechnologie
 Nordstraße 1
 83253 Rimsting

WG 2112 ←

| Nominal Width | Product No. | DR**Ø [mm] | Dy***Ø [mm] | G [mm] | M [mm] | T [mm] | Q**** [l/sek] | hg***** [mm] |
|---------------|-------------|------------|-------------|--------|--------|--------|---------------|--------------|
| DN 70 | PP121-SG070 | 87 – 108 | 83 – 106 | 200 | 350 | 300 | 4.40 | 35 |
| DN 80 | PP121-SG080 | 105 – 111 | 101 – 108 | 200 | 350 | 300 | 5.00 | 35 |
| DN 100 | PP121-SG100 | 120 – 135 | 116 – 131 | 270 | 500 | 300 | 6.00 | 35 |
| DN 125 | PP121-SG125 | 152 – 160 | 148 – 158 | 270 | 500 | 300 | 9.00 | 45 |
| DN 150 | PP121-SG150 | 194 – 200 | 190 – 195 | 270 | 500 | 300 | 10.60 | 45 |

* Custom-made products cannot be returned.
 ** DR = DR = outer diameter - area of the sealing lip
 *** Dy = inside diameter, range calibration of the existing drain pipe
 **** Q [l/sek] Discharge capacity at the water level hG at the gully
 ***** hg [mm] Water level height/pressure height at the drain
 Status: 03/22 b/s/t GmbH Koch Kunststofftechnologie reserves the right to make technical modifications.

b/s/t PE Retrofit Drain

Specification ← **Material**
PE, high impact strength, UV-stabilised

Including
b/s/t Universal gravel guard
high impact strength, UV-stabilised
b/s/t Universal Anti Backflow Seal

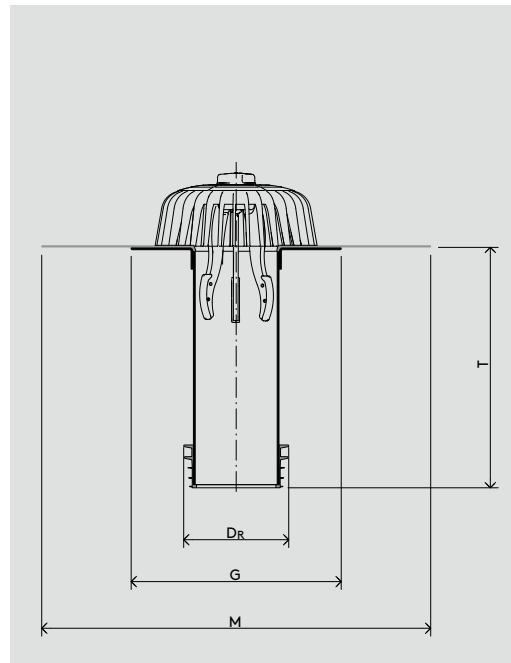
Special model*
Maximum pipe length 1000 mm

For the safe connection of outlets to downpipes without existing sleeve; verification of fit to existing drain is the responsibility of the installer.

Membrane flange
PE (see page 159)

INFO Please order ←
membrane
flange
separately

Special models ←
on request*



b/s/t
Koch Kunst-
stofftechnologie
Nordstraße 1
83253 Rimsting



WG 2112 ←

| Nominal Width | Product No. | D _R **Ø [mm] | D _V ***Ø [mm] | G [mm] | M [mm] | T [mm] | Q**** [l/sek] | h _G ***** [mm] |
|---------------|-------------|-------------------------|--------------------------|--------|--------|--------|---------------|---------------------------|
| DN 70 | PE121-SG070 | 87 – 108 | 83 – 106 | 200 | 350 | 300 | 4.40 | 35 |
| DN 80 | PE121-SG080 | 105 – 111 | 101 – 108 | 200 | 350 | 300 | 5.00 | 35 |
| DN 100 | PE121-SG100 | 120 – 135 | 116 – 131 | 270 | 500 | 300 | 6.00 | 35 |
| DN 125 | PE121-SG125 | 152 – 160 | 148 – 158 | 270 | 500 | 300 | 9.00 | 45 |
| DN 150 | PE121-SG150 | 194 – 200 | 190 – 195 | 270 | 500 | 300 | 10.60 | 45 |

* Custom-made products cannot be returned.
 ** D_R = DR = outer diameter - area of the sealing lip
 *** D_V = inside diameter, range calibration of the existing drain pipe
 **** Q [l/sek] Discharge capacity at the water level h_G at the gully
 ***** h_G [mm] Water level height/pressure height at the drain
 Status: 03/22 b/s/t GmbH Koch Kunststofftechnologie reserves the right to make technical modifications.

b/s/t ALIT Retrofit Drain

Specification ←

Material
Aluminium

Including
b/s/t Universal gravel guard
high impact strength, UV-stabilised
b/s/t Universal Anti Backflow Seal

Pipe length
450 mm

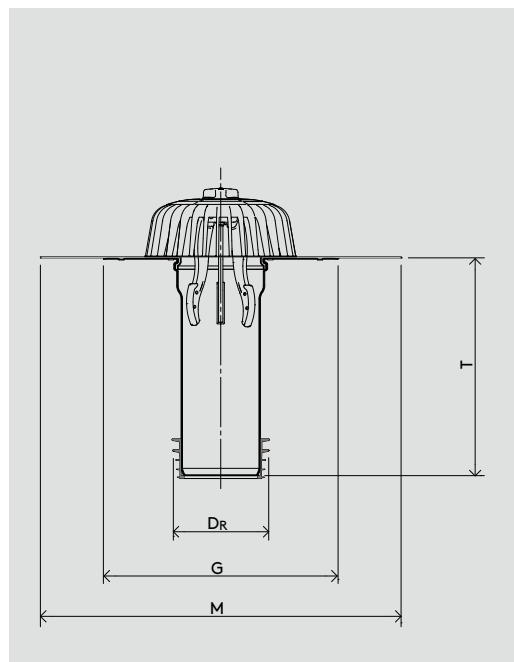
For the safe connection of outlets to downpipes without existing sleeve; verification of fit to existing drain is the responsibility of the installer.

Membrane flange
Polyolefin, EPDM, ECB, PIB, PVC etc.
(see page 158 – 159)

INFO

Please order ←
membrane
flange
separately

Special models ←
on request*



b/s/t
Koch Kunststofftechnologie
Nordstraße 1
83253 Rimsting

DIN EN 1253

WG 1212 ←

| Nominal Width | Product No. | DR** Ø [mm] | Dv*** Ø [mm] | G Ø [mm] | M [mm] | T [mm] | Q**** [l/sek] | hg***** [mm] |
|---------------|---------------|-------------|--------------|----------|--------|--------|---------------|--------------|
| DN 70 | A121-SG070450 | 87 – 108 | 83 – 106 | 325 | 500 | 450 | 4.40 | 35 |
| DN 80 | A121-SG080450 | 105 – 111 | 101 – 108 | 325 | 500 | 450 | 5.00 | 35 |
| DN 100 | A121-SG100450 | 120 – 135 | 116 – 131 | 325 | 500 | 450 | 6.00 | 35 |
| DN 125 | A121-SG125450 | 152 – 160 | 148 – 158 | 325 | 500 | 450 | 9.00 | 45 |

* Custom-made products cannot be returned.

** DR = DR = outer diameter - area of the sealing lip

*** Dv = inside diameter, range calibration of the existing drain pipe

**** Q [l/sek] Discharge capacity at the water level hG at the gully

***** hg [mm] Water level height/pressure height at the drain

Status: 03/22 b/s/t GmbH Koch Kunststofftechnologie reserves the right to make technical modifications.

b/s/t ALIT Retrofit Drain Bitumen

Specification ←

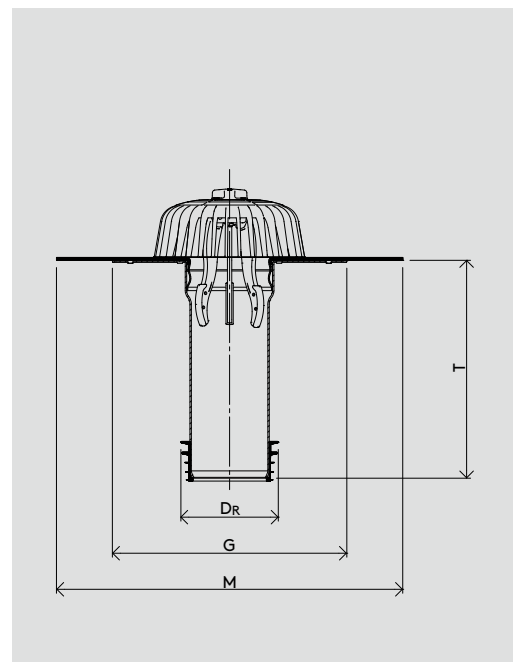
Material
Aluminium

Including
b/s/t Universal gravel guard
high impact strength, UV-stabilised
b/s/t Universal Anti Backflow Seal

Pipe length
450 mm

For the safe connection of outlets to downpipes without existing sleeve; verification of fit to existing drain is the responsibility of the installer.

Membrane flange
SBS bitumen roofing membrane



WG 1212 ←

| Nominal Width | Product No. | Dr*Ø [mm] | Dv**Ø [mm] | GØ [mm] | MØ [mm] | T [mm] | Q*** [l/sek] | hg**** [mm] |
|---------------|----------------|-----------|------------|---------|---------|--------|--------------|-------------|
| DN 70 | A121-BSG070450 | 87 – 108 | 83 – 106 | 325 | 480 | 450 | 4.40 | 35 |
| DN 80 | A121-BSG080450 | 105 – 111 | 101 – 108 | 325 | 480 | 450 | 5.00 | 35 |
| DN 100 | A121-BSG100450 | 120 – 135 | 116 – 131 | 325 | 480 | 450 | 6.00 | 35 |
| DN 125 | A121-BSG125450 | 152 – 160 | 148 – 158 | 325 | 480 | 450 | 9.00 | 45 |

* Dr = DR = outer diameter - area of the sealing lip

** Dv = inside diameter, range calibration of the existing drain pipe

*** Q [l/sek] Discharge capacity at the water level hG at the gully

**** hg [mm] Water level height/ pressure height at the drain

Status: 03/22 b/s/t GmbH Koch Kunststofftechnologie reserves the right to make technical modifications.

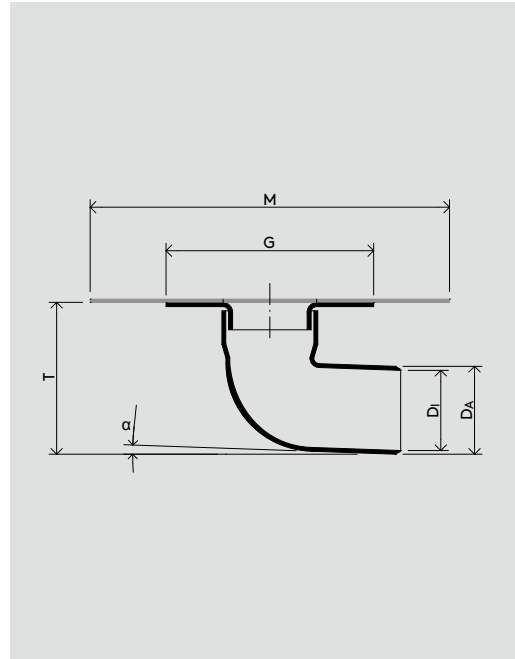
b/s/t PVC Side-Outlet Drain

Specification ← Material
PVC-U, high impact strength,
UV-stabilised

Membrane flange
PVC, EVA
(see page 158)

INFO

Please order ←
membrane
flange
separately



WG 1112 ←

| Nominal Width | Product No. | DAØ [mm] | D1Ø [mm] | G [mm] | M [mm] | T [mm] | α [°] | Q* [l/sek] | hg** [mm] |
|---------------|-------------|----------|----------|--------|--------|--------|-------|------------|-----------|
| DN 50 | 127-050 | 50 | 46.4 | 150 | 300 | 80 | 3 | 0.81 | 35 |
| DN 70 | 127-070 | 75 | 71.4 | 180 | 350 | 110 | 3 | 3.96 | 35 |
| DN 100 | 127-100 | 110 | 105.4 | 230 | 500 | 160 | 3 | 5.40 | 35 |
| DN 125 | 127-125 | 125 | 120.0 | 230 | 500 | 175 | 3 | 8.10 | 45 |
| DN 150 | 127-150 | 160 | 153.6 | 260 | 500 | 225 | 3 | 9.54 | 45 |

* Q [l/sek] Discharge capacity at the water level hg at the gully

** hg [mm] Water level height / pressure height at the drain

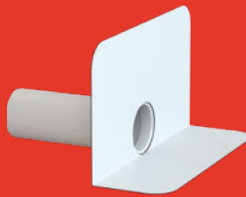
Status: 03/22 b/s/t GmbH Koch Kunststofftechnologie reserves the right to make technical modifications.

Installation Sample: Vapour Barrier

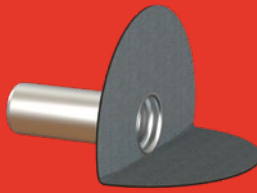
Modular System ←
can be com-
bined with all
Parapet Drains
(see page 72)
and Emergency
Overflow Drains
(see page 78).



b/s/t Attika Leaf Guard
(see page 100)



PVC Parapet Drain
(see page 72)



ALIT Parapet Drain
Bitumen
(see page 77)



PVC Emergency
Overflow Drain
(see page 78)



ALIT Deck Element Bitumen
(see page 8)



ALIT Deck Element
(see page 7)

b/s/t PVC Parapet Drain Premium

with angled base plate/without leading edge

Specification ←

Material
PVC-U, high impact strength,
UV-stabilised

Pipe length
300 mm

Maximum pipe length
max. 1000 mm

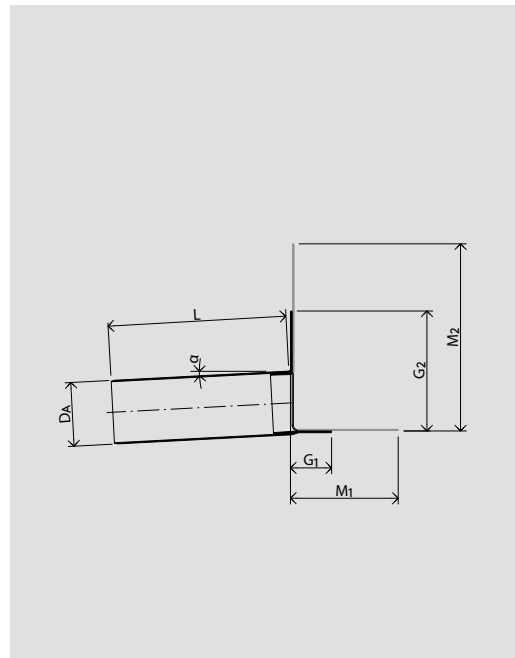
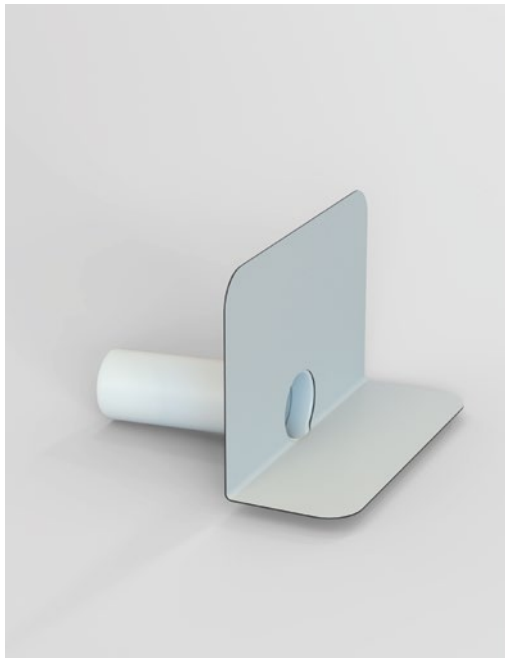
Membrane flange
PVC, EVA
(see page 158)

INFO

Please order ←
membrane
flange
separately

Free calculation ←
of quantity and
flow rate

Special models ←
on request*



WG 1114 ←

| Nominal Width | Product No. | $D_A \text{ } \varnothing$ [mm] | G_1 [mm] | G_2 [mm] | M_1 [mm] | M_2 [mm] | L [mm] | α [°] |
|---------------|-------------|---------------------------------|------------|------------|------------|------------|--------|--------------|
| DN 50 | 152-050 | 50 | 71 | 141 | 186 | 325 | 300 | 3 |
| DN 70 | 152-070 | 75 | 71 | 141 | 186 | 325 | 300 | 3 |
| DN 80 | 152-080 | 90 | 71 | 141 | 186 | 325 | 300 | 3 |
| DN 100 | 152-100 | 110 | 71 | 210 | 186 | 325 | 300 | 3 |
| DN 125 | 152-125 | 125 | 71 | 210 | 186 | 325 | 300 | 3 |
| DN 150 | 152-150 | 160 | 71 | 210 | 186 | 325 | 300 | 3 |

* Custom-made products cannot be returned.

See calculation tool under „Service“ on www.bst-gmbh.de

Status: 03/22 b/s/t GmbH Koch Kunststofftechnologie reserves the right to make technical modifications.

b/s/t PVC Parapet Drain

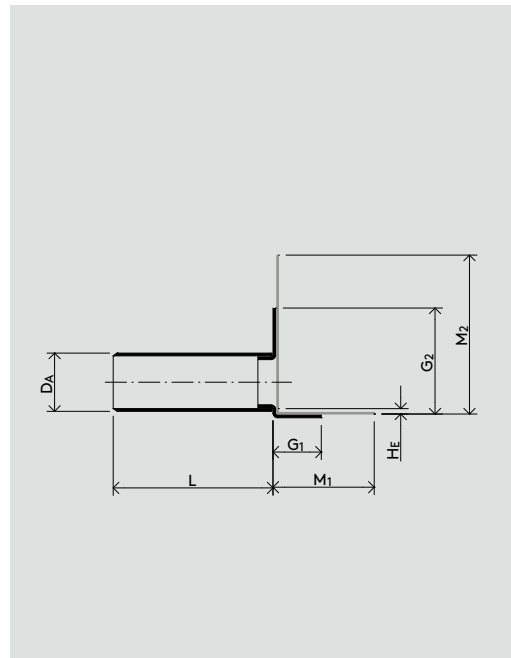
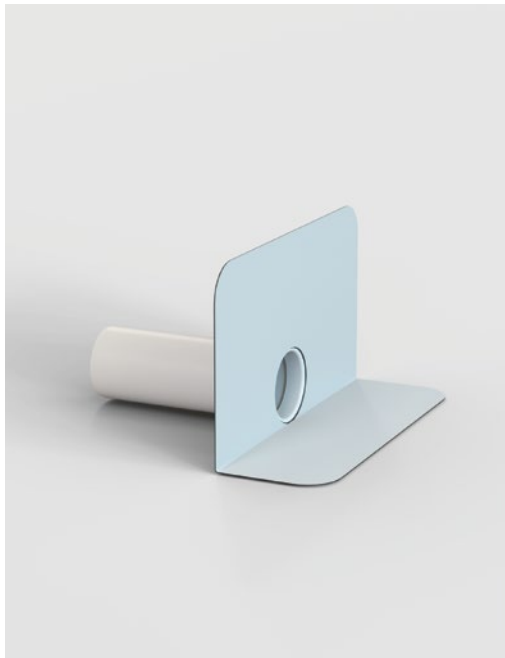
with angled base plate

| | |
|---|--|
| <p>Specification ←</p> <p>Material PVC-U, high impact strength, UV-stabilised</p> <p>Pipe length 300 mm</p> <p>With dam level to use as Emergency Overflow Drain</p> <p>Special model* DN 250, DN 300</p> <p>Different colour of pipe DN 200 similar to RAL 7011</p> | <p>Maximum pipe length max. 1000 mm</p> <p>Drainage pipe Inclination of 25° max. for DN 50 – 150 Inclination of 5° max. for DN 200 – 300</p> <p>Membrane flange PVC, EVA (see page 158)</p> |
|---|--|

INFO Please order ←
membrane
flange
separately

Free calculation ←
of quantity and
flow rate

Special models ←
on request*



| WG 1114 ← | Nominal Width | Product No. | DA Ø [mm] | G ₁ [mm] | G ₂ [mm] | M ₁ [mm] | M ₂ [mm] | H _E [mm] | L [mm] |
|-----------|---------------|-------------|-----------|---------------------|---------------------|---------------------|---------------------|---------------------|--------|
| | DN 50 | 132-050 | 50 | 47 | 103 | 122 | 178 | 5 | 300 |
| | DN 60 | 132-060 | 63 | 66 | 134 | 141 | 209 | 5 | 300 |
| | DN 70 | 132-070 | 75 | 49 | 131 | 134 | 216 | 5 | 300 |
| | DN 80 | 132-080 | 90 | 53 | 147 | 128 | 222 | 5 | 300 |
| | DN 100 | 132-100 | 110 | 57 | 173 | 192 | 308 | 5 | 300 |
| | DN 125 | 132-125 | 125 | 50 | 180 | 185 | 315 | 5 | 300 |
| | DN 150 | 132-150 | 160 | 47 | 213 | 167 | 333 | 6 | 300 |
| | DN 200* | 132-200 | 200 | 99 | 301 | 189 | 391 | 6 | 300 |

* Custom-made products cannot be returned.

See calculation tool under „Service“ on www.bst-gmbh.de

Status: 03/22 b/s/t GmbH Koch Kunststofftechnologie reserves the right to make technical modifications.

b/s/t PP Parapet Drain

with angled base plate

Specification ←

Material
PP, high impact strength, UV-stabilised

Maximum pipe length
max. 1000 mm

Pipe length
300 mm

Membrane flange
PP (see page 159)

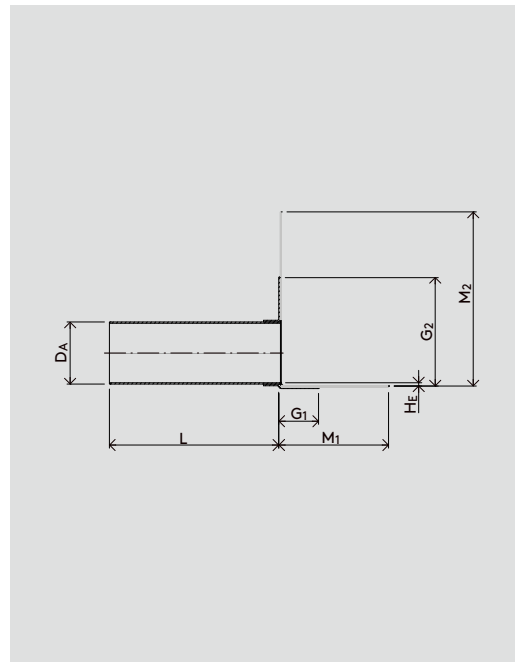
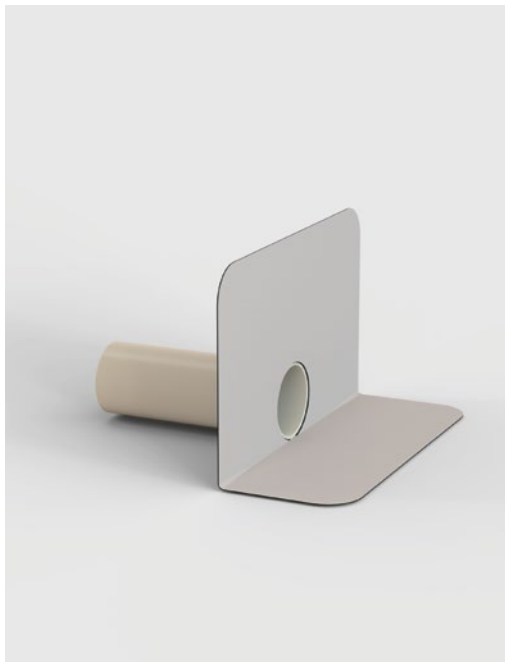
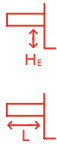
With dam level to use as Emergency
Overflow Drain

INFO

Please order ←
membrane
flange
separately

Free calculation ←
of quantity and
flow rate

Special models ←
on request*



WG 2114 ←

| Nominal Width | Product No. | D _A Ø [mm] | G ₁ [mm] | G ₂ [mm] | M ₁ [mm] | M ₂ [mm] | H _E [mm] | L [mm] |
|---------------|-------------|-----------------------|---------------------|---------------------|---------------------|---------------------|---------------------|--------|
| DN 50 | PP132-050 | 50 | 72 | 128 | 147 | 203 | 6 | 300 |
| DN 70 | PP132-070 | 75 | 59 | 138 | 134 | 213 | 6 | 300 |
| DN 80 | PP132-080 | 90 | 52 | 148 | 127 | 223 | 6 | 300 |
| DN 100 | PP132-100 | 110 | 77 | 193 | 192 | 308 | 6 | 300 |
| DN 125 | PP132-125 | 125 | 69 | 201 | 184 | 316 | 6 | 300 |
| DN 150 | PP132-150 | 160 | 52 | 218 | 167 | 333 | 6 | 300 |

* Custom-made products cannot be returned.

See calculation tool under „Service“ on www.bst-gmbh.de

Status: 03/22 b/s/t GmbH Koch Kunststofftechnologie reserves the right to make technical modifications.

b/s/t PE Parapet Drain

with angled base plate

Specification ← **Material**
PE, high impact strength, UV-stabilised

Maximum pipe length
max. 1000 mm

Pipe length
300 mm

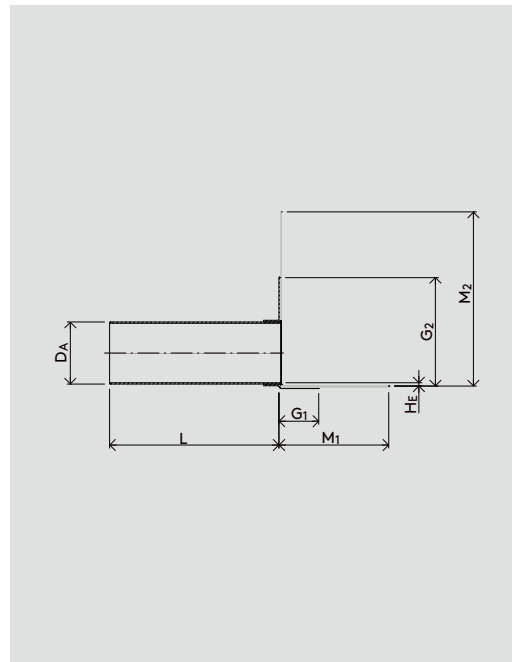
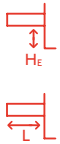
Membrane flange
PE (see page 159)

With dam level to use as Emergency
Overflow Drain

INFO Please order ←
membrane
flange
separately

Free calculation ←
of quantity and
flow rate

Special models ←
on request*



WG 2114 ←

| Nominal Width | Product No. | $D_A \varnothing$ [mm] | G_1 [mm] | G_2 [mm] | M_1 [mm] | M_2 [mm] | H_E [mm] | L [mm] |
|---------------|-------------|------------------------|------------|------------|------------|------------|------------|--------|
| DN 50 | PE132-050 | 50 | 72 | 128 | 147 | 203 | 6 | 300 |
| DN 70 | PE132-070 | 75 | 59 | 138 | 134 | 213 | 6 | 300 |
| DN 80 | PE132-080 | 90 | 52 | 148 | 127 | 223 | 6 | 300 |
| DN 100 | PE132-100 | 110 | 77 | 193 | 192 | 308 | 6 | 300 |
| DN 125 | PE132-125 | 125 | 69 | 201 | 184 | 316 | 6 | 300 |
| DN 150 | PE132-150 | 160 | 52 | 218 | 167 | 333 | 6 | 300 |

* Custom-made products cannot be returned.

See calculation tool under „Service“ on www.bst-gmbh.de

Status: 03/22 b/s/t GmbH Koch Kunststofftechnologie reserves the right to make technical modifications.

b/s/t ALIT Parapet Drain

with angled base plate

Specification ←

Material
Aluminium

Pipe length
300 mm, 450 mm or 600 mm
Non-standard pipe lengths on request*

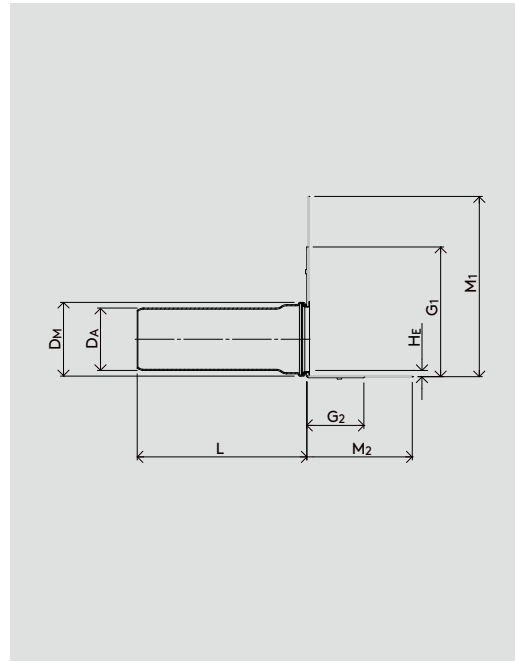
Membrane flange
Polyolefin, EPDM, ECB, PIB, PVC etc.
(see page 158 – 159)

INFO

Please order ←
membrane
flange
separately

Free calculation ←
of quantity and
flow rate

Special models ←
on request*



WG 1214 ←

| Nominal Width | Product No. | D _A Ø [mm] | D _M Ø [mm] | G ₁ [mm] | G ₂ [mm] | M ₁ [mm] | M ₂ [mm] | H _E [mm] | L [mm] |
|---------------|-------------|-----------------------|-----------------------|---------------------|---------------------|---------------------|---------------------|---------------------|--------|
| DN 70 | A132-070450 | 75 | 90 | 122 | 205 | 210 | 290 | 10 | 450 |
| DN 70 | A132-070600 | 75 | 90 | 122 | 205 | 210 | 290 | 10 | 600 |
| DN 80 | A132-080450 | 90 | 105 | 115 | 215 | 200 | 305 | 12 | 450 |
| DN 80 | A132-080600 | 90 | 105 | 115 | 215 | 200 | 305 | 12 | 600 |
| DN 100 | A132-100300 | 110 | 130 | 105 | 225 | 190 | 315 | 12 | 300 |
| DN 100 | A132-100450 | 110 | 130 | 105 | 225 | 190 | 315 | 12 | 450 |
| DN 100 | A132-100600 | 110 | 130 | 105 | 225 | 190 | 315 | 12 | 600 |
| DN 125 | A132-125300 | 125 | 140 | 95 | 230 | 190 | 320 | 12 | 300 |
| DN 125 | A132-125450 | 125 | 140 | 95 | 230 | 190 | 320 | 12 | 450 |
| DN 125 | A132-125600 | 125 | 140 | 95 | 230 | 190 | 320 | 12 | 600 |

* Custom-made products cannot be returned.

See calculation tool under „Service“ on www.bst-gmbh.de

Status: 03/22 b/s/t GmbH Koch Kunststofftechnologie reserves the right to make technical modifications.

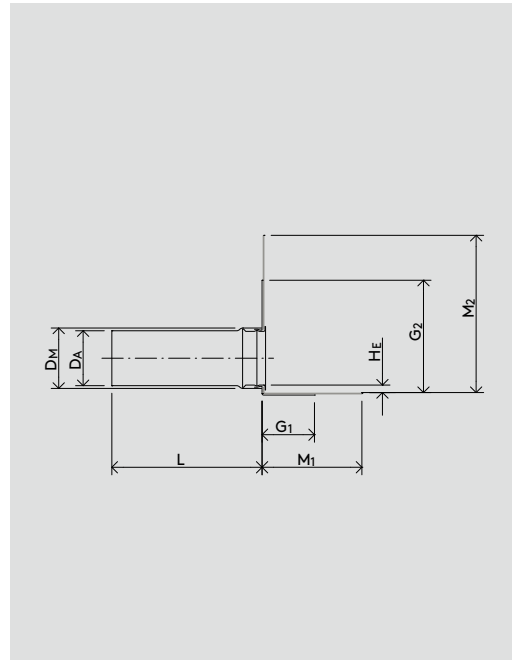
b/s/t ALIT Parapet Drain Bitumen

with angled base plate

Specification ←

Material
AluminiumMembrane flange
SBS bitumen roofing membranePipe length
300 mm, 450 mm or 600 mm
Non-standard pipe lengths on request*

INFO

Free ←
calculation of
quantity and
flow rate

WG 1214 ←

| Nominal Width | Product No. | $D_A \varnothing$ [mm] | $D_M \varnothing$ [mm] | G_1 [mm] | G_2 [mm] | M_1 [mm] | M_2 [mm] | H_E [mm] | L [mm] |
|---------------|--------------|------------------------|------------------------|------------|------------|------------|------------|------------|----------|
| DN 70 | A132-B070450 | 75 | 87 | 120 | 205 | 195 | 285 | 13 | 450 |
| DN 70 | A132-B070600 | 75 | 87 | 120 | 205 | 195 | 285 | 13 | 600 |
| DN 80 | A132-B080450 | 90 | 102 | 110 | 215 | 190 | 290 | 13 | 450 |
| DN 80 | A132-B080600 | 90 | 102 | 110 | 215 | 190 | 290 | 13 | 600 |
| DN 100 | A132-B100300 | 110 | 123 | 105 | 230 | 180 | 300 | 13 | 300 |
| DN 100 | A132-B100450 | 110 | 123 | 105 | 230 | 180 | 300 | 13 | 450 |
| DN 100 | A132-B100600 | 110 | 123 | 105 | 230 | 180 | 300 | 13 | 600 |
| DN 125 | A132-B125300 | 125 | 138 | 95 | 230 | 170 | 310 | 13 | 300 |
| DN 125 | A132-B125450 | 125 | 138 | 95 | 230 | 170 | 310 | 13 | 450 |
| DN 125 | A132-B125600 | 125 | 138 | 95 | 230 | 170 | 310 | 13 | 600 |

See calculation tool under „Service“ on www.bst-gmbh.de

Status: 03/22 b/s/t GmbH Koch Kunststofftechnologie reserves the right to make technical modifications.

b/s/t PVC Emergency Overflow Drain

Specification ← Material
PVC-U, high impact strength,
UV-stabilised

Pipe length
300 mm

Without base plate

Special model*
DN 125, DN 150

Maximum pipe length
max. 1000 mm

Membrane flange
PVC, EVA (see page 158)

INFO

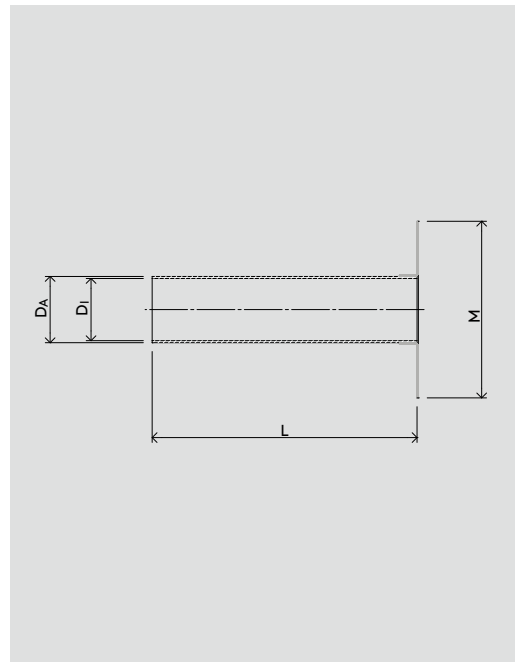
Please order ←
membrane
flange
separately

Free calculation ←
of quantity and
flow rate

Special models ←
on request*



Ø up to 150



WG 1114 ←

| Nominal Width | Product No. | $D_A \varnothing$ [mm] | $D_I \varnothing$ [mm] | M [mm] | L [mm] |
|---------------|-------------|------------------------|------------------------|-----------|--------|
| DN 40 | 131-040 | 40 | 36.4 | Ø 160 | 300 |
| DN 50 | 131-050 | 50 | 46.4 | Ø 160 | 300 |
| DN 60 | 131-060 | 63 | 58.0 | Ø 200 | 300 |
| DN 70 | 131-070 | 75 | 71.4 | Ø 200 | 300 |
| DN 80 | 131-080 | 90 | 84.6 | 250 x 250 | 300 |
| DN 100 | 131-100 | 110 | 105.4 | 250 x 250 | 300 |

* Custom-made products cannot be returned.

See calculation tool under „Service“ on www.bst-gmbh.de

Status: 03/22 b/s/t GmbH Koch Kunststofftechnologie reserves the right to make technical modifications.

b/s/t ALIT Emergency Overflow Drain

Specification ←

Material
Aluminium

Pipe length
450 mm or 600 mm

Without base plate

Membrane flange

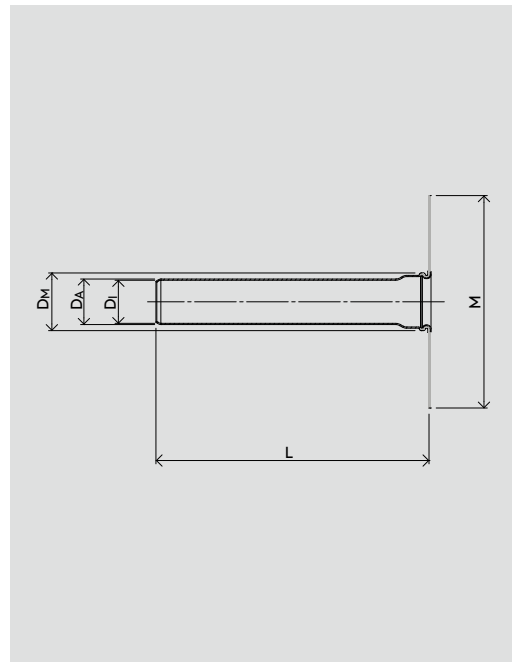
Polyolefin, EPDM, ECB, PIB, PVC etc.
(see page 158 – 159)

INFO

Please order ←
membrane
flange
separately

Free calculation ←
of quantity and
flow rate

Special models ←
on request*



WG 1214 ←

| Nominal Width | Product No. | $D_A \varnothing$ [mm] | $D_I \varnothing$ [mm] | $D_M \varnothing$ [mm] | M [mm] | L [mm] |
|------------------|-------------|------------------------|------------------------|------------------------|--------|--------|
| $\varnothing 54$ | A131-054450 | 54 | 50 | 64 | 350 | 450 |
| $\varnothing 54$ | A131-054600 | 54 | 50 | 64 | 350 | 600 |
| DN 70 | A131-070450 | 75 | 71 | 90 | 350 | 450 |
| DN 70 | A131-070600 | 75 | 71 | 90 | 350 | 600 |
| DN 100 | A131-100450 | 110 | 106 | 125 | 500 | 450 |
| DN 100 | A131-100600 | 110 | 106 | 125 | 500 | 600 |

* Custom-made products cannot be returned.

See calculation tool under „Service“ on www.bst-gmbh.de

Status: 03/22 b/s/t GmbH Koch Kunststofftechnologie reserves the right to make technical modifications.

b/s/t ALIT Emergency Overflow Drain Bitumen

Specification ←

Material
Aluminium

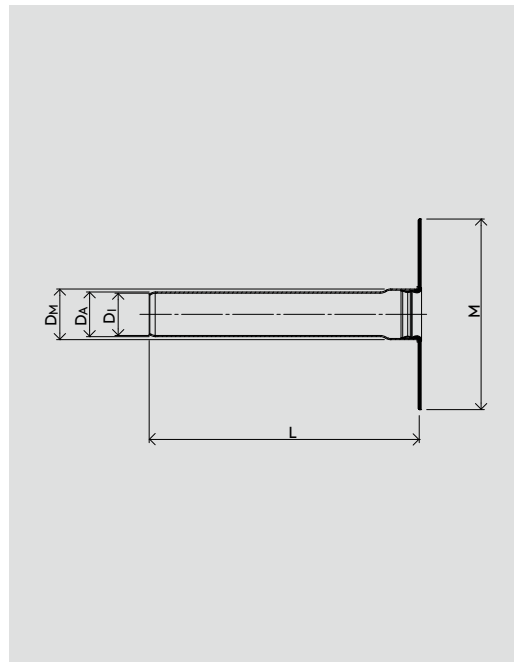
Membrane flange
SBS bitumen roofing membrane

Pipe length
450 mm or 600 mm

Without base plate

INFO

Free ←
calculation of
quantity and
flow rate



WG 1114 ←

| Nominal Width | Product No. | $D_A \text{ } \varnothing$ [mm] | $D_I \text{ } \varnothing$ [mm] | $D_M \text{ } \varnothing$ [mm] | $M \text{ } \varnothing$ [mm] | L [mm] |
|------------------|--------------|---------------------------------|---------------------------------|---------------------------------|-------------------------------|--------|
| \varnothing 54 | A131-B054450 | 54 | 50 | 64 | 300 | 450 |
| \varnothing 54 | A131-B054600 | 54 | 50 | 64 | 300 | 600 |
| DN 70 | A131-B070450 | 75 | 71 | 86 | 320 | 450 |
| DN 70 | A131-B070600 | 75 | 71 | 86 | 320 | 600 |
| DN 100 | A131-B100450 | 110 | 106 | 121 | 360 | 450 |
| DN 100 | A131-B100600 | 110 | 106 | 121 | 360 | 600 |

b/s/t PVC Emergency Overflow Drain S

with water dam level

Specification ← Material
PVC-U, high impact strength,
UV-stabilised

Water dam level
 H_E : optional
(further dam levels on request)

Different colour of pipe
DN 200
similar to RAL 7011

Special model*
DN 250, DN 300

Pipe length T
300 mm

Membrane flange
PVC, EVA (see page 158)

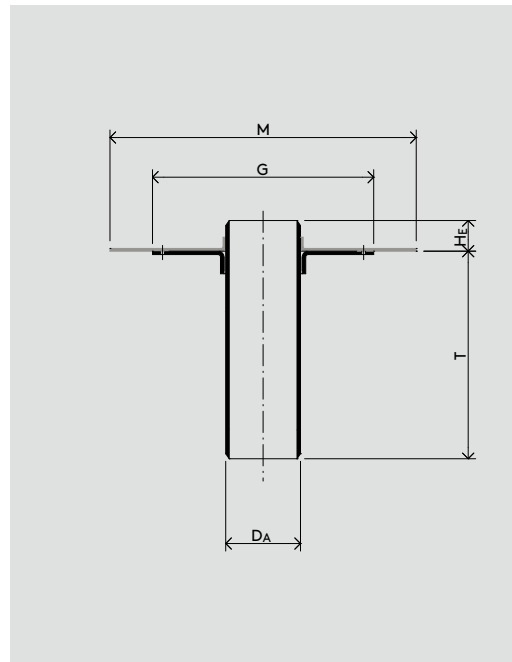
INFO Please order ←
membrane
flange
separately

Free calculation ←
of quantity and
flow rate

Special models ←
on request*



∅ up to 300



WG 1114 ←

| Nominal Width | Product No. | $D_A \text{ } \varnothing$ [mm] | G [mm] | M [mm] | T [mm] | H_E^{**} [mm] |
|---------------|-------------|---------------------------------|--------|--------|--------|-----------------|
| DN 50 | 133-050 | 50 | 150 | 300 | 300 | 35 |
| DN 70 | 133-070 | 75 | 200 | 350 | 300 | 35 |
| DN 100 | 133-100 | 110 | 230 | 500 | 300 | 35 |
| DN 125 | 133-125 | 125 | 230 | 500 | 300 | 45 |
| DN 150 | 133-150 | 160 | 280 | 500 | 300 | 45 |
| DN 200* | 133-200 | 200 | 400 | 580 | 300 | 45 |

* Custom-made products cannot be returned.

** H_E to customer's specifications

Status: 03/22 b/s/t GmbH Koch Kunststofftechnologie reserves the right to make technical modifications.

b/s/t PP Emergency Overflow Drain S

with water dam level

Specification ← Material
PP, high impact strength,
UV-stabilised

Water dam level
H_E: optional
(further dam levels on request)

Pipe length T
300 mm

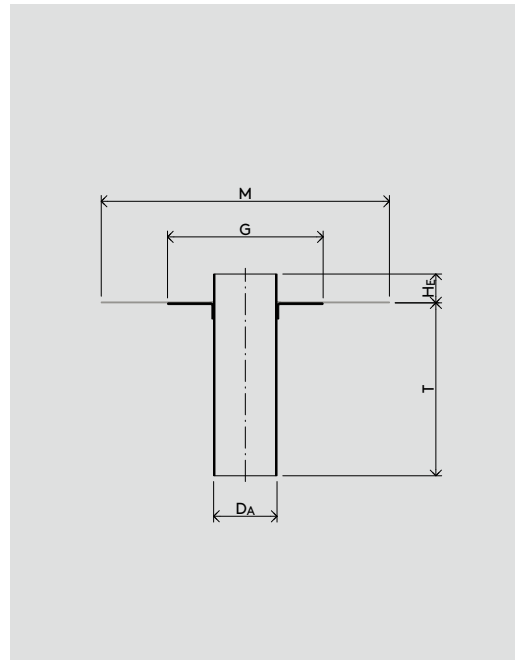
Membrane flange
PP (see page 159)

INFO

Please order ←
membrane
flange
separately

Free ←
calculation of
quantity and
flow rate

Special models ←
on request*



WG 2114 ←

| Nominal Width | Product No. | D _A Ø [mm] | G [mm] | M [mm] | T [mm] | H _E ** [mm] |
|---------------|-------------|-----------------------|--------|--------|--------|------------------------|
| DN 50 | PP133-050 | 50 | 200 | 350 | 300 | 35 |
| DN 70 | PP133-070 | 75 | 200 | 350 | 300 | 35 |
| DN 100 | PP133-100 | 110 | 270 | 500 | 300 | 35 |
| DN 125 | PP133-125 | 125 | 270 | 500 | 300 | 45 |
| DN 150 | PP133-150 | 160 | 270 | 500 | 300 | 45 |

* Custom-made products cannot be returned.

** H_E to customer's specifications

Status: 03/22 b/s/t GmbH Koch Kunststofftechnologie reserves the right to make technical modifications.

b/s/t PE Emergency Overflow Drain S

with water dam level

Specification ←

Material

PE, high impact strength,
UV-stabilised

Water dam level

H_E: optional
(further dam levels on request)

Pipe length T

300 mm

Membrane flange

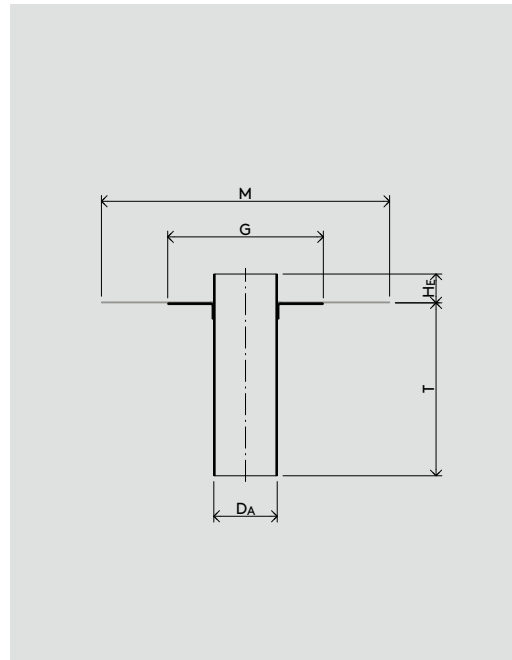
PE (see page 159)

INFO

Please order ←
membrane
flange
separately

Free ←
calculation of
quantity and
flow rate

Special models ←
on request*



WG 2114 ←

| Nominal Width | Product No. | D _A ∅ [mm] | G [mm] | M [mm] | T [mm] | H _E ** [mm] |
|---------------|-------------|--------------------------|-----------|-----------|-----------|---------------------------|
| DN 50 | PE133-050 | 50 | 200 | 350 | 300 | 35 |
| DN 70 | PE133-070 | 75 | 200 | 350 | 300 | 35 |
| DN 100 | PE133-100 | 110 | 270 | 500 | 300 | 35 |
| DN 125 | PE133-125 | 125 | 270 | 500 | 300 | 45 |
| DN 150 | PE133-150 | 160 | 270 | 500 | 300 | 45 |

* Custom-made products cannot be returned.

** H_E to customer's specifications

Status: 03/22 b/s/t GmbH Koch Kunststofftechnologie reserves the right to make technical modifications.

b/s/t ALIT Emergency Overflow Drain S

with water dam level

Specification ←

Material
Aluminium

Pipe length
300 mm

Complete with water dam pipe, made of aluminium, L = 150 mm

Water dam level

To be cut to dam level, maximum dam level 90 mm

Membrane flange

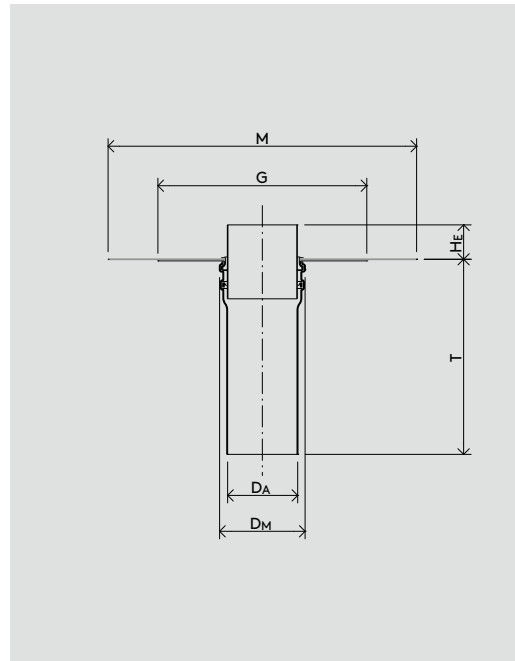
Polyolefin, EPDM, ECB, PIB, PVC etc
(see page 158 – 159)

INFO

Please order ←
membrane
flange
separately

Free ←
calculation of
quantity and
flow rate

Special models ←
on request*



WG 1214 ←

| Nominal Width | Product No. | $D_A \varnothing$ [mm] | $D_M \varnothing$ [mm] | $G \varnothing$ [mm] | M [mm] | T [mm] | H_E [mm] |
|---------------|-------------|---------------------------|---------------------------|-------------------------|-----------|-----------|---------------|
| DN 70 | A133-070300 | 75 | 92 | 325 | 500 | 300 | 90 |
| DN 100 | A133-100300 | 110 | 130 | 325 | 500 | 300 | 90 |
| DN 125 | A133-125300 | 125 | 145 | 325 | 500 | 300 | 90 |

* Custom-made products cannot be returned.

Status: 03/22 b/s/t GmbH Koch Kunststofftechnologie reserves the right to make technical modifications.

b/s/t ALIT Emergency Overflow Drain S Bitumen

with water dam level

Specification ←

Material
Aluminium

Pipe length
300 mm

Complete with water dam pipe, made of aluminium, L = 150 mm

Water dam level

To be cut to dam level, maximum dam level 90 mm

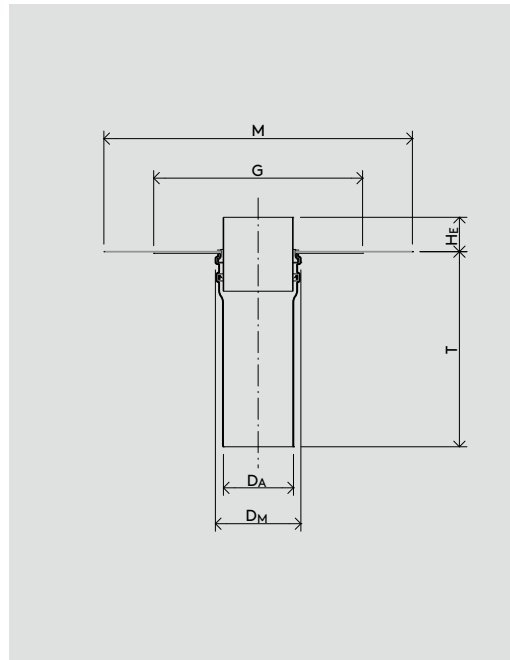
Membrane flange

SBS bitumen roofing membrane

INFO

Free ←
calculation of
quantity and
flow rate

Special models ←
on request*



WG 1214 ←

| Nominal Width | Product No. | D _A ∅ [mm] | D _M ∅ [mm] | G∅ [mm] | M∅ [mm] | T [mm] | H _E [mm] |
|---------------|--------------|-----------------------|-----------------------|---------|---------|--------|---------------------|
| DN 70 | A133-B070300 | 75 | 92 | 325 | 480 | 300 | 90 |
| DN 100 | A133-B100300 | 110 | 130 | 325 | 480 | 300 | 90 |
| DN 125 | A133-B125300 | 125 | 142 | 325 | 480 | 300 | 90 |

* Custom-made products cannot be returned.

Status: 03/22 b/s/t GmbH Koch Kunststofftechnologie reserves the right to make technical modifications.

b/s/t PVC Emergency Overflow Drain R

with straight or angled base plate

Specification ←

Material

PVC-U, high impact strength,
UV-stabilised

Pipe length*

300 mm (Special length on request)

Minimum water dam level 15 mm with
bent base plate due to manufacturing

Water dam level 35 mm, 45 mm (or
according to specification) with angled
base plate; higher dam levels built with
straight base plate (please specify with
order)

Membrane flange

PVC, EVA (see page 158)

Custom-made products

Emergency Overflow Drain RS (see page 89)

INFO

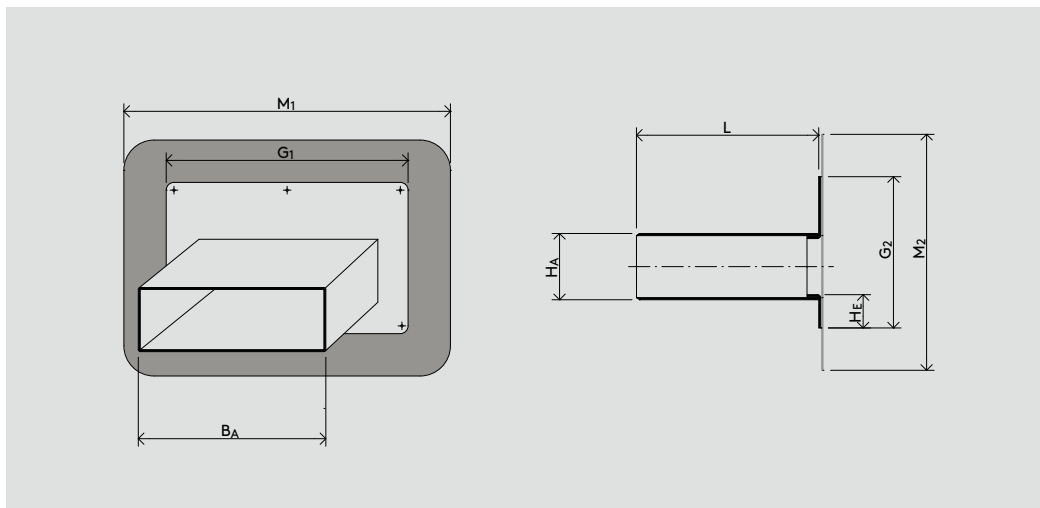
Please order ←
membrane
flange
separately

Free ←
calculation of
quantity and
flow rate

Special models ←
on request*



to max 600



WG 1114 ←

| Type | Product No. | H _A [mm] | B _A [mm] | G ₁ [mm] | G ₂ [mm] | M ₁ [mm] | M ₂ [mm] | H _E [mm] | L [mm] |
|--------------|-------------|---------------------|---------------------|---------------------|---------------------|---------------------|---------------------|---------------------|--------|
| 60 x 60 mm | 135-060 | 60 | 60 | 200 | 200 | 350 | 350 | 72.5 | 300 |
| 90 x 90 mm | 135-090 | 90 | 90 | 200 | 200 | 350 | 350 | 57.5 | 300 |
| 110 x 110 mm | 135-110 | 107 | 107 | 250 | 250 | 500 | 500 | 74.0 | 300 |
| 115 x 75 mm | 135-125 | 76 | 116 | 250 | 200 | 500 | 500 | 65.0 | 300 |
| 310 x 105 mm | 135-310 | 106 | 308 | 400 | 250 | 600 | 500 | 55.0 | 300 |

* Custom-made products cannot be returned.

See calculation tool under „Service“ on www.bst-gmbh.de

Status: 03/22 b/s/t GmbH Koch Kunststofftechnologie reserves the right to make technical modifications.

b/s/t Custom Production

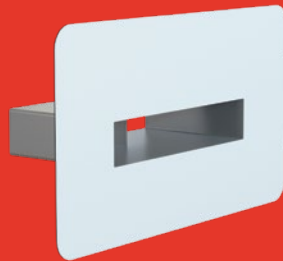
We supply numerous products made to order

For emergency ←
drainage we
supply high quality
custom built
solutions – including
roofing membrane
as selected.*

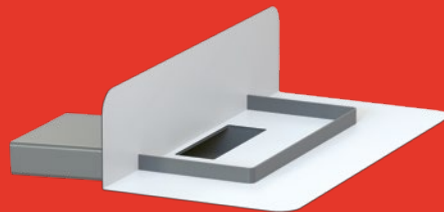
Talk to us – we are ←
pleased to help.

Phone:
+49 8051 69 09 70

E-Mail:
info@bst-gmbh.de



b/s/t Emergency Overflow
Drain RS
(see page 89)



b/s/t Emergency Overflow
RV with Water Dam
(see page 92)



b/s/t Spout /
Parapet Drain RS
(see page 95)

* Custom-made products cannot be returned.

Status: 03/22 b/s/t GmbH Koch Kunststofftechnologie reserves the right to make technical modifications.

b/s/t Special construction* – from PVC, PP or PE

Specification ←

Material

PP (Polypropylene), high impact strength,
UV-stabilised

PE (Polyethylene), high impact strength,
UV-stabilised

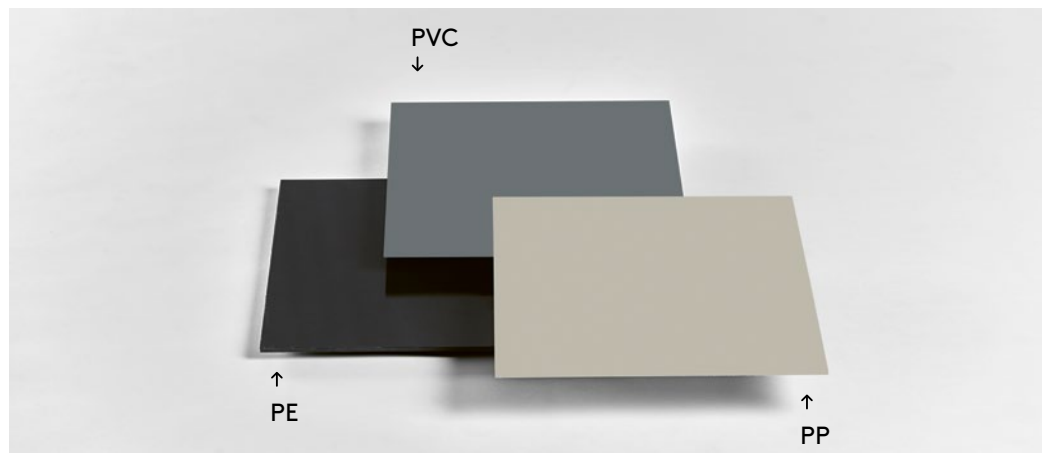
PVC-U high impact strength,
UV-stabilised,

Attention

Please always ask for the lead time of
special constructions!

Special sizes may have differing delivery
times and shipping costs!

Material ←



The following ←
Parapet Drains/
Emergency
Overflow Drain
can be installed
with the mem-
brane flanges
listed. Please
state the
manufacturer
and product
when ordering.

| Manufacturer | Product | Basic | Moul- ded part I** | Emergency Overflow Drain RS | Emergency Overflow Drain RV | Spout/ Parapet Drain RS |
|---|----------------|-------|--------------------------|-----------------------------------|-----------------------------------|----------------------------|
| Alwitra GmbH & Co. | Evalon | EVA | ■ | x | x | x |
| | Evalastic | EPDM | ■ | x | | |
| Bauder GmbH & Co. KG | Thermofol D | PVC | ■ | x | x | x |
| | Thermoplan TL | PP | ■ | x | x | x |
| BMI Wolfin Bautechnik GmbH | Cosmofin D | PVC | ■ | x | x | x |
| | Tectofin R | PVC | ■ | x | x | x |
| | Everguard | PP | ■ | x | x | x |
| | Wolfin IB | PVC | ■ | x | x | x |
| SaarGummi Construction GmbH | Novoproof | EPDM | ■ | x | | x |
| FDT Flachdachtechnologie GmbH & Co. KG | Rhenofol C | PVC | ■ | x | x | x |
| | Rhepanol HG | PIB | ■ | x | | x |
| Firestone Building Products | UltraPly/FPO | PP | ■ | x | x | x |
| Georg Börner GmbH & Co. KG | Logicroof V-SR | PVC | ■ | x | x | x |
| Icopal Synthetic Membranes | Monarplan D | PVC | ■ | x | x | x |
| Imper Italia SRL | Sintofoil RG | PP | ■ | x | x | x |
| Köster Bauchemie AG | Köster TPO | PE | ■ | x | | x |
| Mapei GmbH | Mapeplan D15 | PVC | ■ | x | x | x |
| | Mapeplan TD | PP | ■ | x | x | x |
| Polyfin AG | Polyfin 1020 | PE | ■ | x | x | x |
| Renolit AG | Alkorplan F | PVC | ■ | x | x | x |
| | Alkortec D | EVA | ■ | x | x | x |
| | Alkortop D | PP | ■ | x | x | x |
| Schedetal Folien GmbH | ExtruPol M | PE | ■ | x | x | x |
| Sika Deutschland GmbH | Sikaplan S | PVC | ■ | x | x | x |
| | Sarnafil T | PP | ■ | x | | x |
| Soprema-Klewa GmbH | Flagon S | PVC | ■ | x | x | x |
| | Flagon EP-S | PP | ■ | x | x | x |
| VAEplan GmbH | VAEplan Typ F | VAE | ■ | x | x | x |

* Custom-made products cannot be returned.

** ■ Moulded part made from PP (colour similar RAL 7032) ■ Moulded part made from PE (colour: black) ■ Moulded part made from PVC (colour similar RAL 7011)

b/s/t PVC Emergency Overflow Drain RS*

Specification ← Material
 PVC-U, high impact strength,
 UV-stabilised

Special construction*
 Maximum inner width: 1000 mm,
 Minimum inner height: 60 mm,
 Material thickness: 5 mm;
 Inner width over 500 mm
 built with a stabilising bar

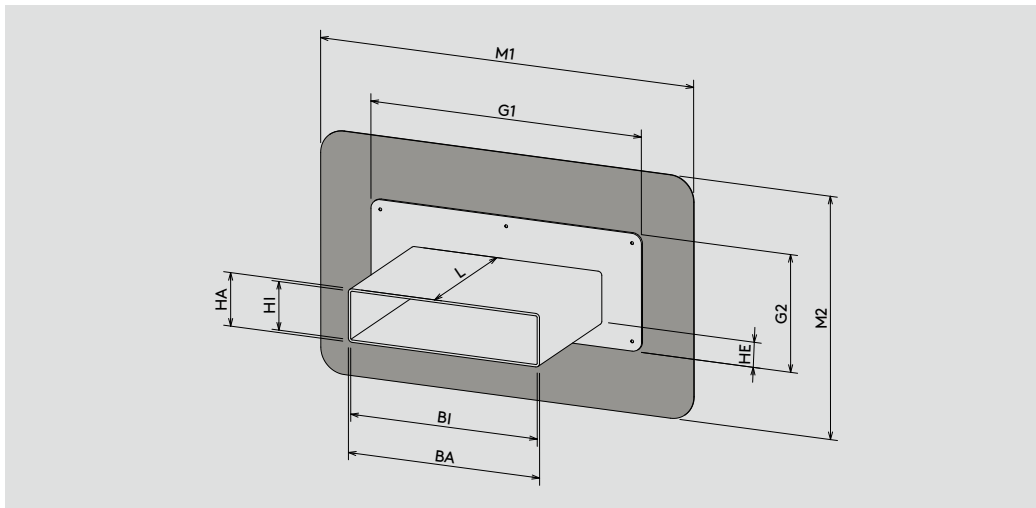
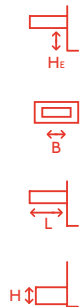
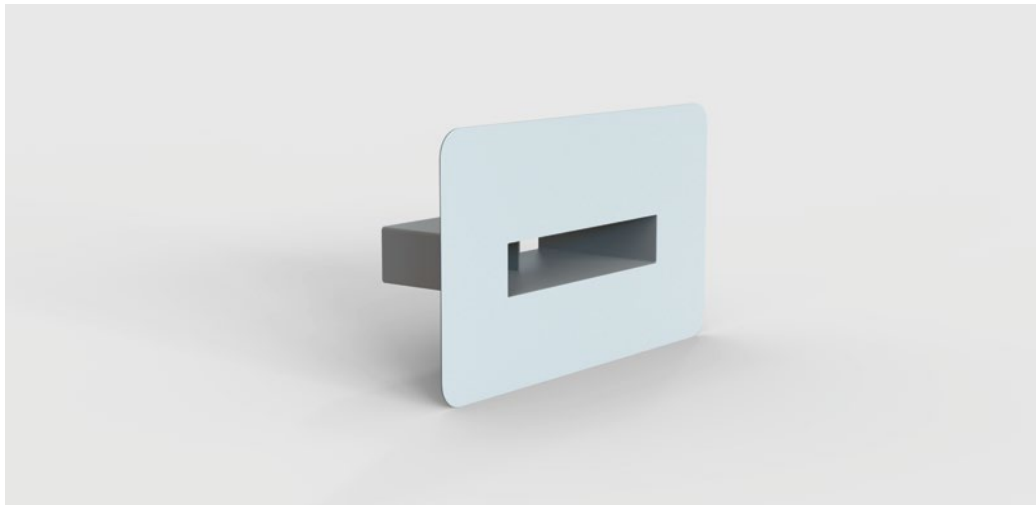
Factory built dam level of 15 mm min.
 Water dam level 35 mm, 45 mm (or ac-
 cording to instruction) with angled base
 plate or with a straight base plate on a
 water dam level of 50 mm or above
 (please specify with order).

Membrane flange
 PVC, EVA (see page 158)

INFO Please order ←
 membrane
 flange
 separately

Free ←
 calculation of
 quantity and
 flow rate

Special models ←
 on request*



| WG 1321 ← Type | Product No. | Special construction* – prices on request |
|----------------|-------------|--|
| PVC-RS | 135-000 | Inner width max. 1000 mm, inner height min. 60 mm; pipe length max. 1000 mm; Material thickness 5 mm; Special Models* are built according to submitted drawing only! |

* Custom-made products cannot be returned.
 See calculation tool under „Service“ on www.bst-gmbh.de
 Status: 03/22 b/s/t GmbH Koch Kunststofftechnologie reserves the right to make technical modifications.

b/s/t PP Emergency Overflow Drain RS*

Specification ← Material
 PP (Polypropylene), high impact strength,
 UV-stabilised

Special construction*
 Maximum inner width: 1000 mm,
 Minimum inner height: 60 mm,
 Material thickness: 5 mm;
 Inner width over 500 mm
 built with a stabilising bar

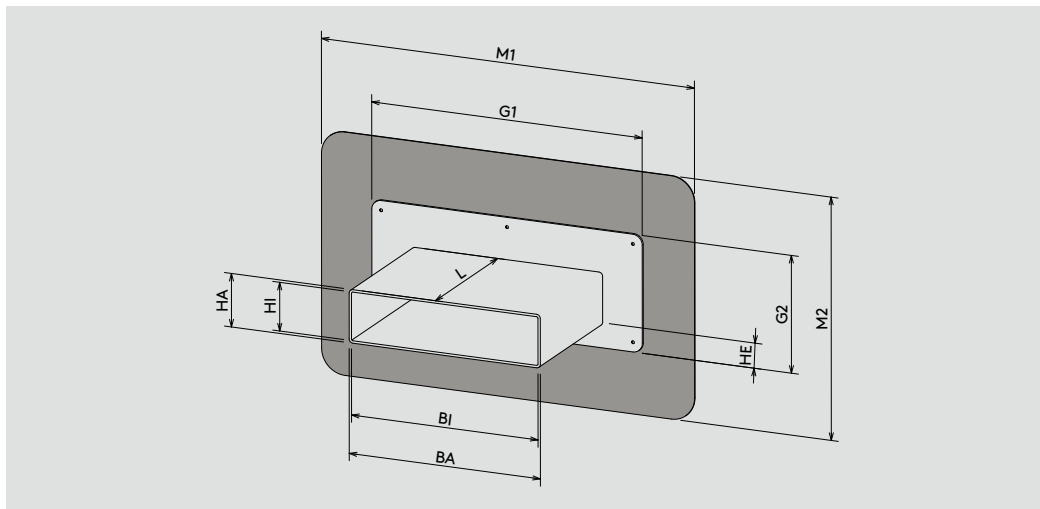
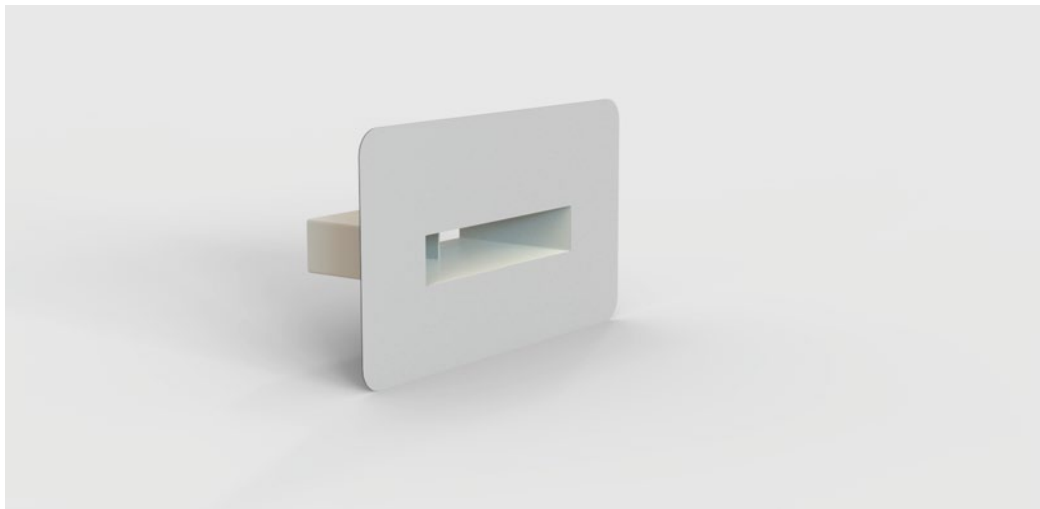
Factory built dam level of 15 mm min.
 Water dam level 35 mm, 45 mm (or ac-
 cording to instruction) with angled base
 plate or with a straight base plate on a
 water dam level of 50 mm or above
 (please specify with order).

Membrane flange
 PP (see page 159)

INFO Please order ←
 membrane
 flange
 separately

Free ←
 calculation of
 quantity and
 flow rate

Special models ←
 on request*



| WG 1322 ← Type | Product No. | Special construction* – prices on request |
|----------------|-------------|--|
| PP-RS | PP135-000 | Inner width max. 1000 mm, inner height min. 70 mm; pipe length max. 1000 mm; Material thickness 5 mm; Special Models* are built according to submitted drawing only! |

* Custom-made products cannot be returned.
 See calculation tool under „Service“ on www.bst-gmbh.de
 Status: 03/22 b/s/t GmbH Koch Kunststofftechnologie reserves the right to make technical modifications.

b/s/t PE Emergency Overflow Drain RS*

Specification ← Material
PE (Polyethylene), high impact strength, UV-stabilised

Special construction*
Maximum inner width: 1000 mm,
Minimum inner height: 60 mm,
Material thickness: 5 mm;
Inner width over 400 mm built with a stabilising bar

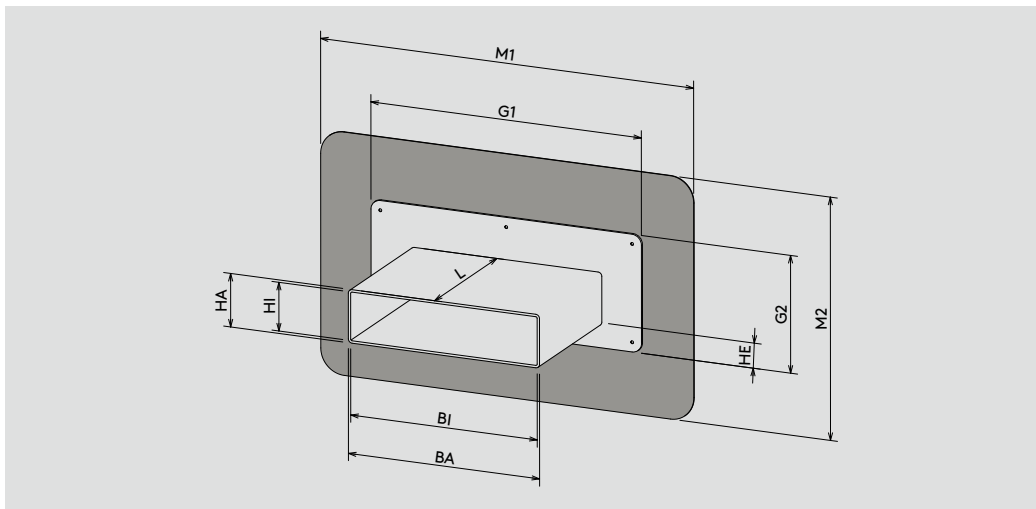
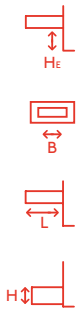
Factory built dam level of 15 mm min.
Water dam level 35 mm, 45 mm (or according to instruction) with angled base plate or with a straight base plate on a water dam level of 50 mm or above (please specify with order).

Membrane flange
PE (see page 159)

INFO Please order ← membrane flange separately

Free ← calculation of quantity and flow rate

Special models ← on request*



| WG 1323 ← Type | Product No. | Special construction* – prices on request |
|----------------|-------------|--|
| PE-RS | PE135-000 | Inner width max. 1000 mm, inner height min. 70 mm; pipe length max. 1000 mm; Material thickness 5 mm; Special Models* are built according to submitted drawing only! |

* Custom-made products cannot be returned.
See calculation tool under „Service“ on www.bst-gmbh.de
Status: 03/22 b/s/t GmbH Koch Kunststofftechnologie reserves the right to make technical modifications.

b/s/t PVC Emergency Overflow Drain RV with Water Dam*

High Flow Rate!

Specification ← Material
PVC-U, high impact strength,
UV-stabilised

Pipe length
400 mm

Dam levels
35/45/50/55 mm

Special model*
Complete pipe length 700 mm max

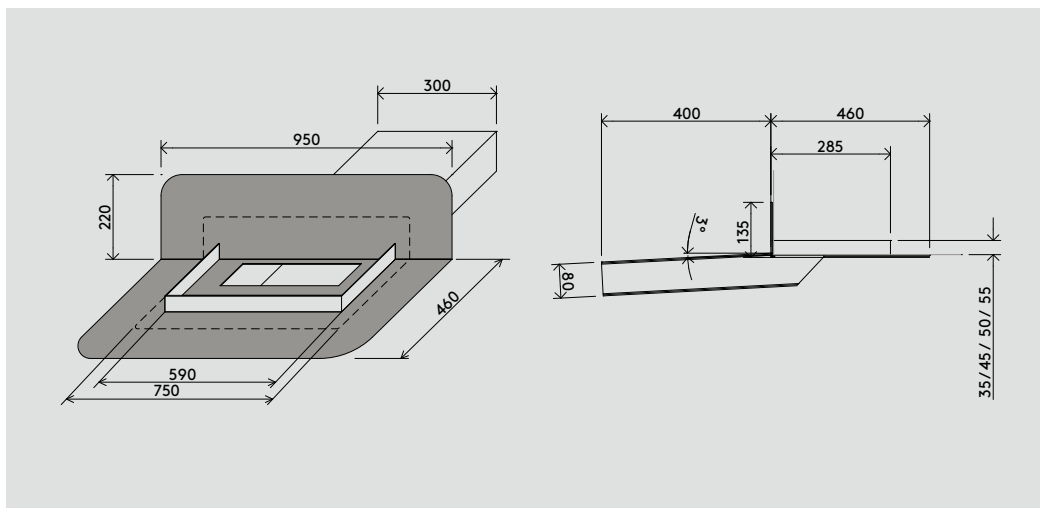
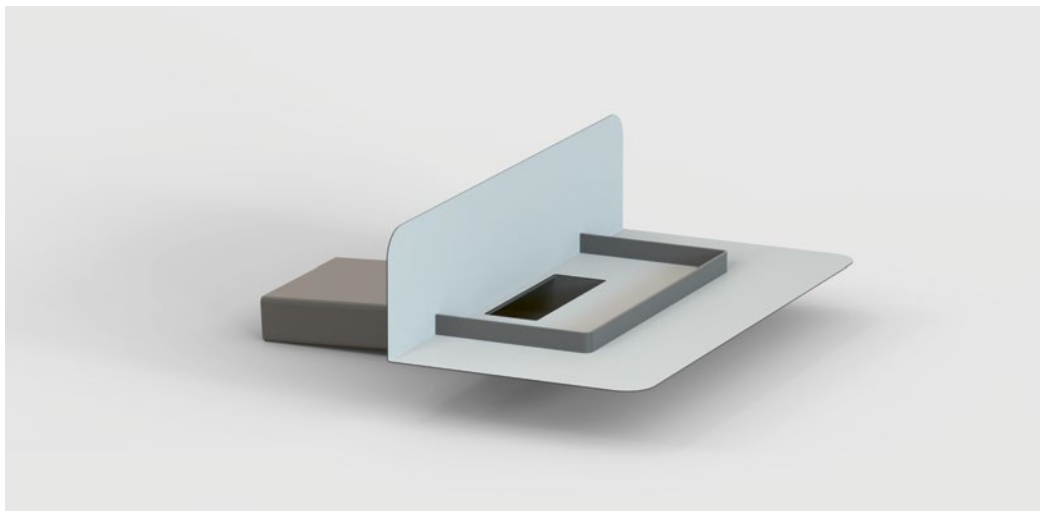
Special model*
Without water dam; to be used as water-
spout or emergency overflow drain

Membrane flange
PVC, EVA (see page 158)

INFO Please order ←
membrane
flange
separately

Free ←
calculation of
quantity and
flow rate

Special models ←
on request*



| WG 1321 ← Type | Product No. | Q** [l/sek] | h _G *** [mm] |
|-------------------|-------------|-------------|-------------------------|
| 300 x 80 mm RV 35 | 134-30035 | 13.30 | 40 |
| 300 x 80 mm RV 45 | 134-30045 | 9.60 | 30 |
| 300 x 80 mm RV 50 | 134-30050 | 7.80 | 25 |
| 300 x 80 mm RV 55 | 134-30055 | 6.00 | 20 |

* Custom-made products cannot be returned.

** Q [l/sek] Discharge capacity at water level height h_G at the emergency overflow; max. permissible water level height 75 mm.

*** h_G [mm] Water level height/pressure height at the emergency overflow

Status: 03/22 b/s/t GmbH Koch Kunststofftechnologie reserves the right to make technical modifications.

b/s/t PP Emergency Overflow Drain RV with Water Dam*

High Flow Rate!

Specification ←

Material

PP, shigh impact strength,
UV-stabilised

Pipe length

400 mm

Dam levels

35/45/50/55 mm

Special model*

Complete pipe length 700 mm max

Special model*

Without water dam; to be used as water-spout or emergency overflow drain

Membrane flange

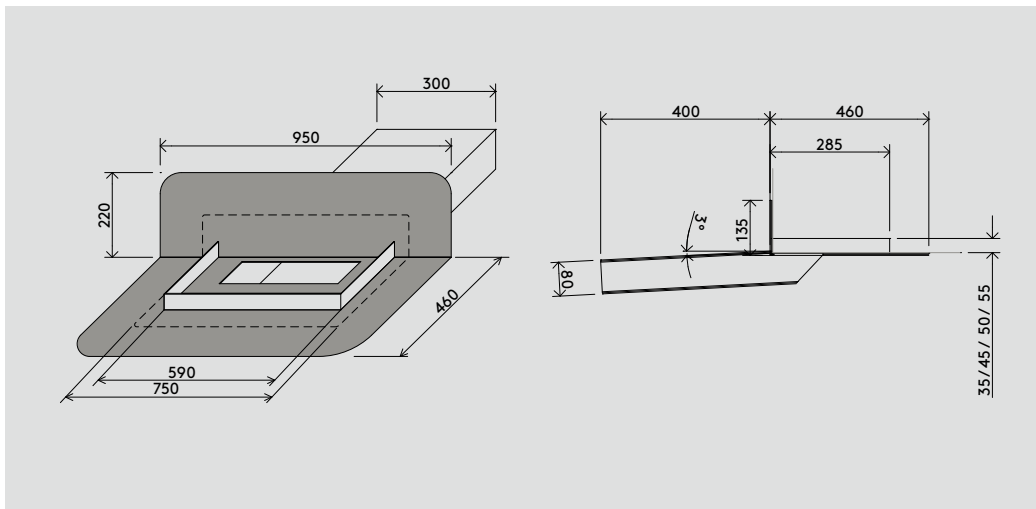
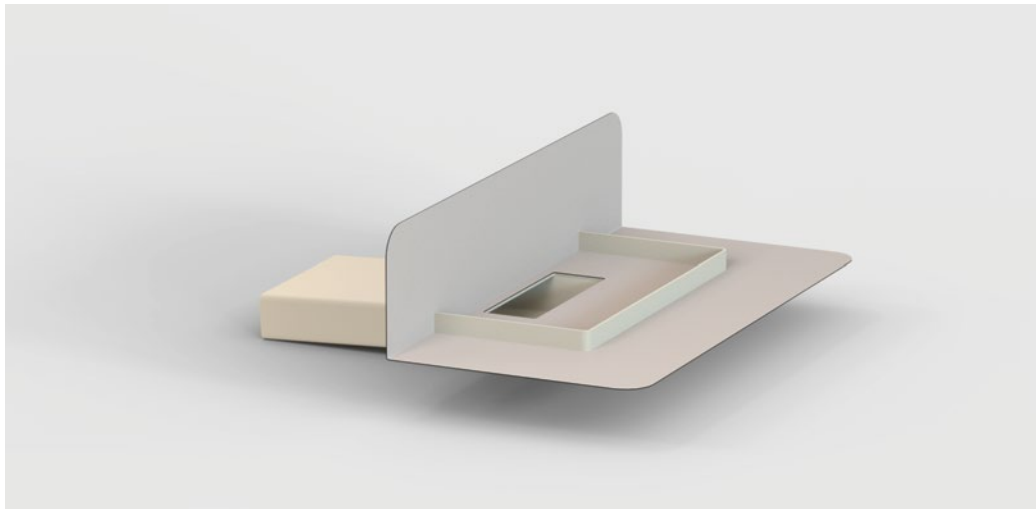
PP (see page 159)

INFO

Please order ←
membrane
flange
separately

Free ←
calculation of
quantity and
flow rate

Special models ←
on request*



WG 1322 ←

| Type | Product No. | Q** [l/sek] | h _G *** [mm] |
|-------------------|-------------|-------------|-------------------------|
| 300 x 80 mm RV 35 | PP134-30035 | 13.30 | 40 |
| 300 x 80 mm RV 45 | PP134-30045 | 9.60 | 30 |
| 300 x 80 mm RV 50 | PP134-30050 | 7.80 | 25 |
| 300 x 80 mm RV 55 | PP134-30055 | 6.00 | 20 |

* Custom-made products cannot be returned.

** Q [l/sek] Discharge capacity at water level height h_G at the emergency overflow; max. permissible water level height 75 mm.

*** h_G [mm] Water level height/pressure height at the emergency overflow

Status: 03/22 b/s/t GmbH Koch Kunststofftechnologie reserves the right to make technical modifications.

b/s/t PE Emergency Overflow Drain RV with Water Dam*

High Flow Rate!

Specification ← Material
PE, high impact strength,
UV-stabilised

Pipe length
400 mm

Dam levels
35/45/50/55 mm

Special model*
Complete pipe length 700 mm max.

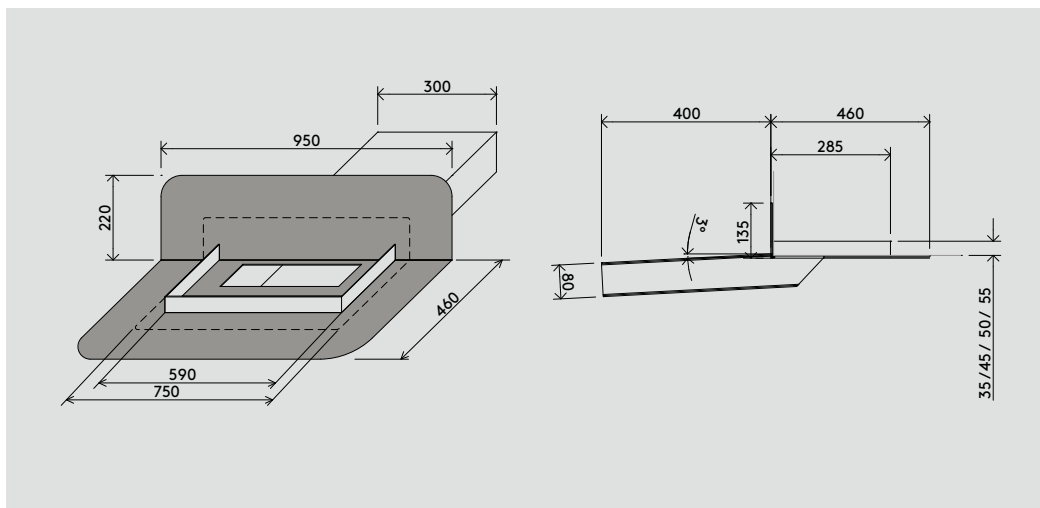
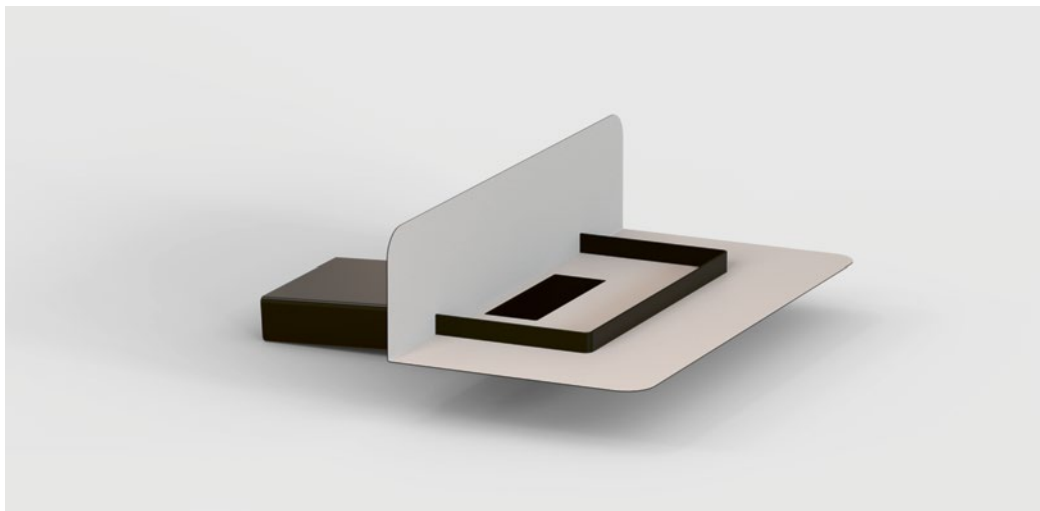
Special model*
Without water dam; to be used as water-
spout or emergency overflow drain

Membrane flange
PE (see page 159)

INFO Please order ←
membrane
flange
separately

Free ←
calculation of
quantity and
flow rate

Special models ←
on request*



| WG 1323 ← Type | Product No. | Q** [l/sek] | h _G *** [mm] |
|-------------------|-------------|-------------|-------------------------|
| 300 x 80 mm RV 35 | PE134-30035 | 13.30 | 40 |
| 300 x 80 mm RV 45 | PE134-30045 | 9.60 | 30 |
| 300 x 80 mm RV 50 | PE134-30050 | 7.80 | 25 |
| 300 x 80 mm RV 55 | PE134-30055 | 6.00 | 20 |

* Custom-made products cannot be returned.

** Q [l/sek] Discharge capacity at water level height h_G at the emergency overflow; max. permissible water level height 75 mm.

*** h_G [mm] Water level height/pressure height at the emergency overflow

Status: 03/22 b/s/t GmbH Koch Kunststofftechnologie reserves the right to make technical modifications.

b/s/t PVC Spout / Parapet Drain RS*

with bent base plate, construction without water backup rim

Specification ← **Material**
 PVC-U, high impact strength,
 UV-stabilised

Pipe length
 300 mm

Special model*
 Complete pipe length 1000 mm max

Drainage pipe
 3°

Membrane flange
 PVC, EVA (see page 158)

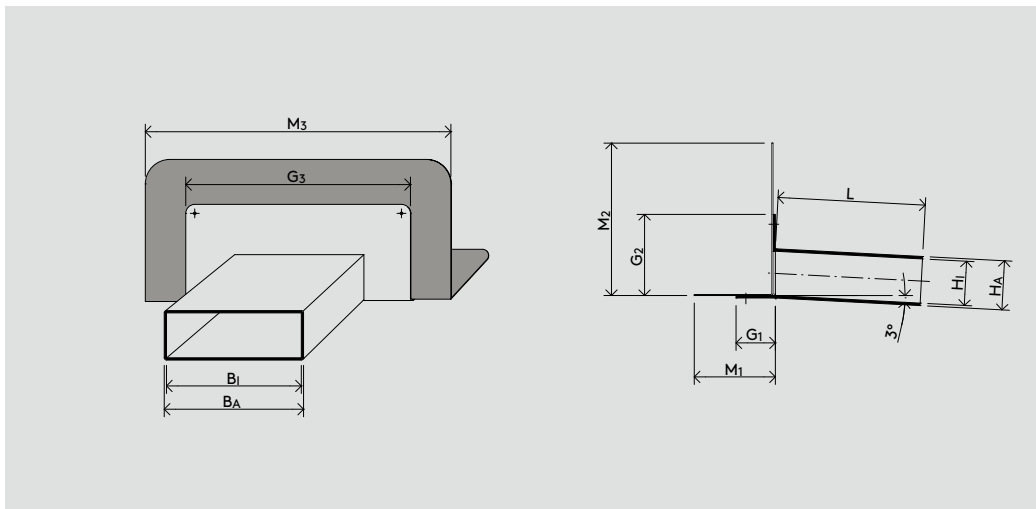
INFO Please order ←
 membrane
 flange
 separately

Free ←
 calculation of
 quantity and
 flow rate

Special models ←
 on request*



to max 1000



WG 1321 ←

| Type [mm] | Product No. | H _A [mm] | H ₁ [mm] | B _A [mm] | B ₁ [mm] | G ₁ [mm] | G ₂ [mm] | G ₃ [mm] | M ₁ [mm] | M ₂ [mm] | M ₃ [mm] | L [mm] |
|-----------|-------------|---------------------|---------------------|---------------------|---------------------|---------------------|---------------------|---------------------|---------------------|---------------------|---------------------|--------|
| 100 x 100 | 150-100 | 100 | 90 | 100 | 90 | 80 | 170 | 240 | 190 | 310 | 500 | 300 |
| 150 x 100 | 150-150 | 100 | 90 | 150 | 140 | 80 | 170 | 290 | 190 | 310 | 550 | 300 |
| 200 x 100 | 150-200 | 100 | 90 | 200 | 190 | 80 | 170 | 340 | 190 | 310 | 600 | 300 |

* Custom-made products cannot be returned.
 See calculation tool under „Service“ on www.bst-gmbh.de
 Status: 03/22 b/s/t GmbH Koch Kunststofftechnologie reserves the right to make technical modifications.

b/s/t PP Spout / Parapet Drain RS*

with bent base plate, construction without water backup rim

Specification ← Material
PP, high impact strength,
UV-stabilised

Pipe length
300 mm

Special model*
Maximum pipe length: 1000 mm

Drainage pipe
3°

Membrane flange
PP (see page 159)

INFO

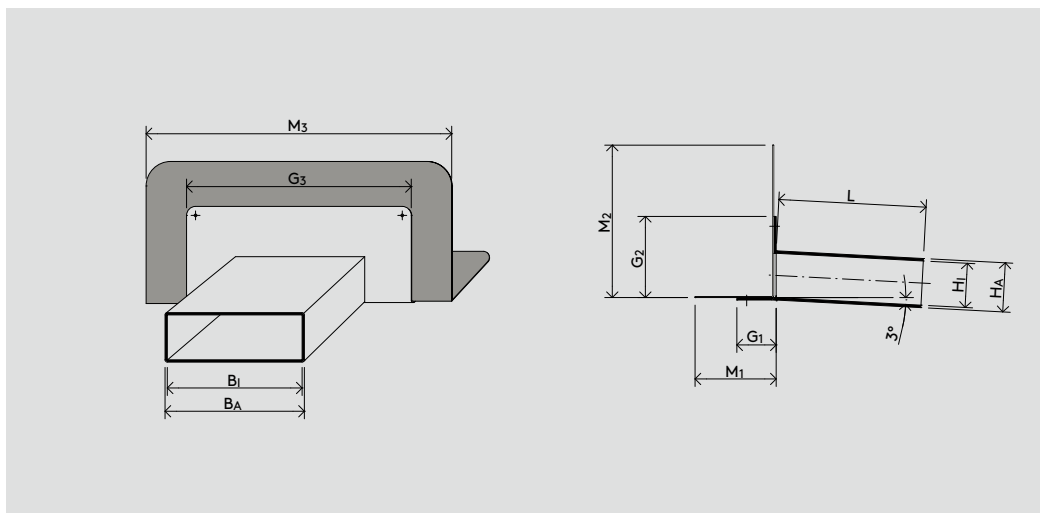
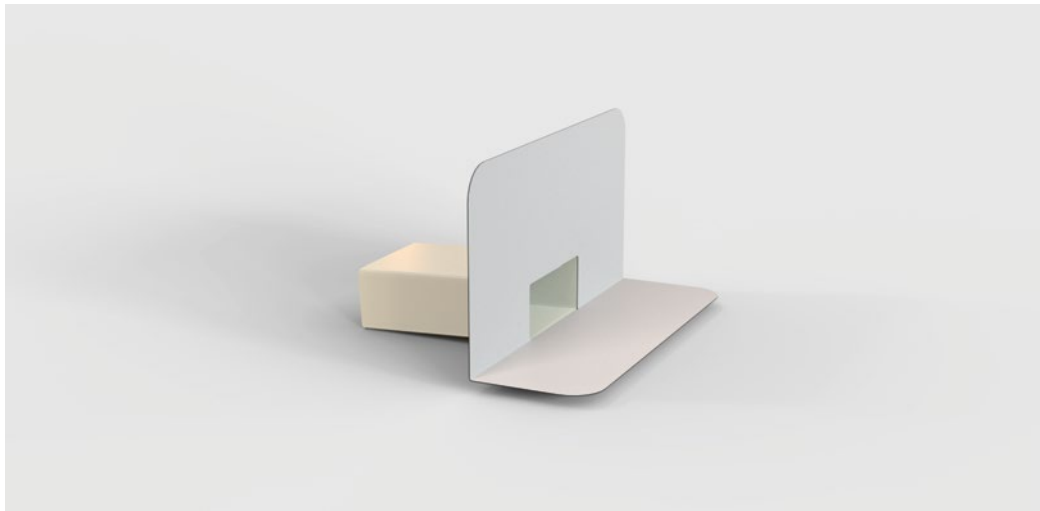
Please order ←
membrane
flange
separately

Free ←
calculation of
quantity and
flow rate

Special models ←
on request*



to max 1000



WG 1322 ←

| Type [mm] | Product No. | HA [mm] | H1 [mm] | BA [mm] | BI [mm] | G1 [mm] | G2 [mm] | G3 [mm] | M1 [mm] | M2 [mm] | M3 [mm] | L [mm] |
|-----------|-------------|---------|---------|---------|---------|---------|---------|---------|---------|---------|---------|--------|
| 100 x 100 | PP150-100 | 100 | 90 | 100 | 90 | 80 | 170 | 240 | 190 | 310 | 500 | 300 |
| 150 x 100 | PP150-150 | 100 | 90 | 150 | 140 | 80 | 170 | 290 | 190 | 310 | 550 | 300 |
| 200 x 100 | PP150-200 | 100 | 90 | 200 | 190 | 80 | 170 | 340 | 190 | 310 | 600 | 300 |

* Custom-made products cannot be returned.
See calculation tool under „Service“ on www.bst-gmbh.de
Status: 03/22 b/s/t GmbH Koch Kunststofftechnologie reserves the right to make technical modifications.

b/s/t PE Spout/Parapet Drain RS*

with bent base plate, construction without water backup rim

Specification ←

Material
PE, high impact strength,
UV-stabilised

Pipe length
300 mm

Special model*

Maximum pipe length: 1000 mm

Drainage pipe
3°

Membrane flange
PE (see page 159)

INFO

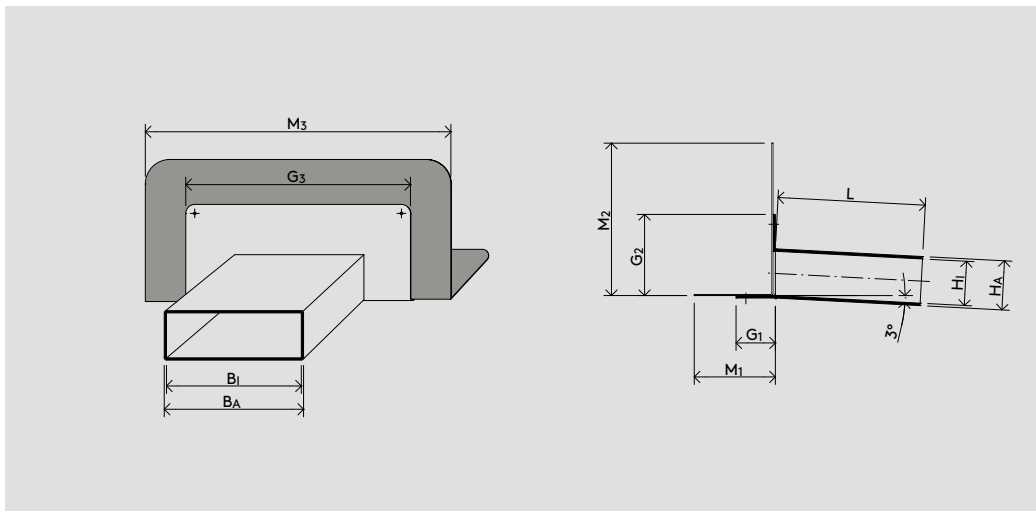
Please order ←
membrane
flange
separately

Free ←
calculation of
quantity and
flow rate

Special models ←
on request*



to max 1000



WG 1323 ←

| Type [mm] | Product No. | HA [mm] | HI [mm] | BA [mm] | BI [mm] | G1 [mm] | G2 [mm] | G3 [mm] | M1 [mm] | M2 [mm] | M3 [mm] | L [mm] |
|-----------|-------------|---------|---------|---------|---------|---------|---------|---------|---------|---------|---------|--------|
| 100 x 100 | PE150-100 | 100 | 90 | 100 | 90 | 80 | 170 | 240 | 190 | 310 | 500 | 300 |
| 150 x 100 | PE150-150 | 100 | 90 | 150 | 140 | 80 | 170 | 290 | 190 | 310 | 550 | 300 |
| 200 x 100 | PE150-200 | 100 | 90 | 200 | 190 | 80 | 170 | 340 | 190 | 310 | 600 | 300 |

* Custom-made products cannot be returned.

See calculation tool under „Service“ on www.bst-gmbh.de

Status: 03/22 b/s/t GmbH Koch Kunststofftechnologie reserves the right to make technical modifications.

b/s/t Special construction* - available also in RAL colours

In addition to functionality, the b/s/t products now also impress with their appearance and inconspicuousness. From now on we can offer you b/s/t products painted in RAL-colours.

You can order the colours individually according to RAL. Hide your emergency overflow in the house wall or complete the colour concept with a striking paint.

Your advantages at a glance

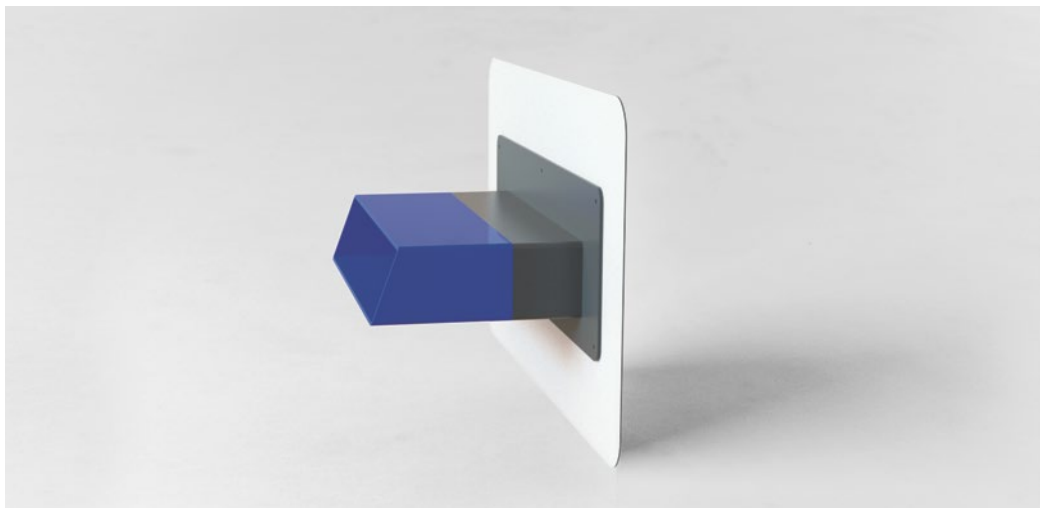
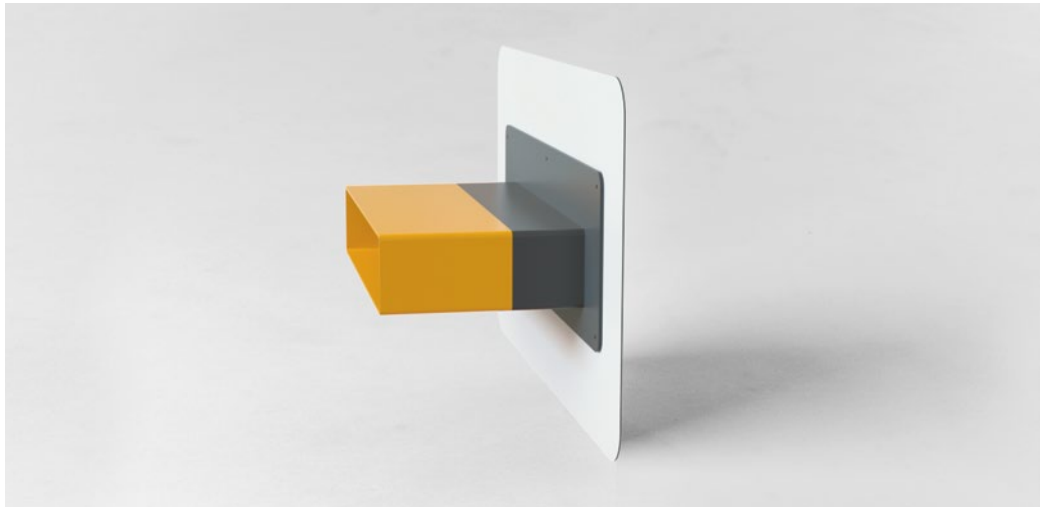
- Individual production
- Paint according to your specification
- Tone-in-tone with your colour concept
- Painting of emergency overflows, waterspouts, fans or ducts possible

INFO

Colour ←
example

Delivery times ←
and prices on
request

Required trans- ←
port packaging
will be charged
additionally if
required



* Custom-made products cannot be returned.

Status: 03/22 b/s/t GmbH Koch Kunststofftechnologie reserves the right to make technical modifications

b/s/t Universal Leaf Guard

Specification ←

MaterialPA (polyamide), high impact strength,
UV-stabilisedSuitable for

DN 70 – DN 200



WG 1311 ←

Type

DN 70 – 200

Product No.

210-000

b/s/t Attica Leaf Guard

Specification ←

MaterialPA (polyamide), high impact strength,
UV-stabilisedAdjustable in height, suitable for

DN 70 – DN 200



WG 1311 ←

Type

DN 70 – 200

Product No.

210-001

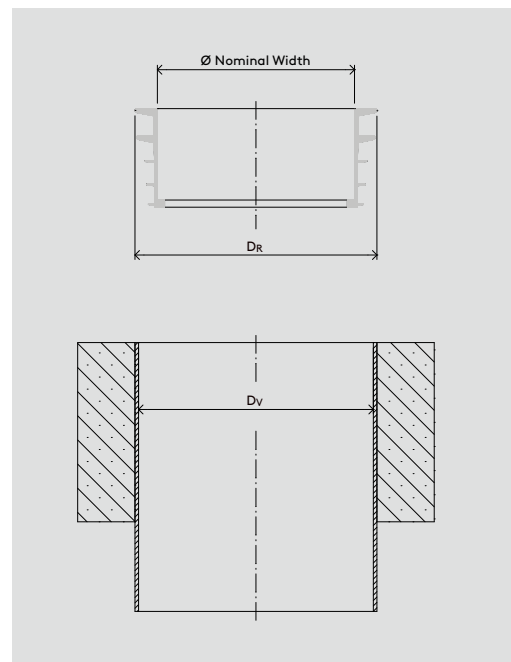
b/s/t Universal Anti Backflow Seal

Specification ← Material
EPDM

Pack size
Diameter 50 mm, 75 mm, 90 mm, 110 mm
4 units/box, incl. lubricant

Diameter 125 mm, 160 mm
1 unit/box, incl. lubricant

For the safe connection of outlet and vent pipes to existing downpipes without pipe coupling.



WG 4995 ←

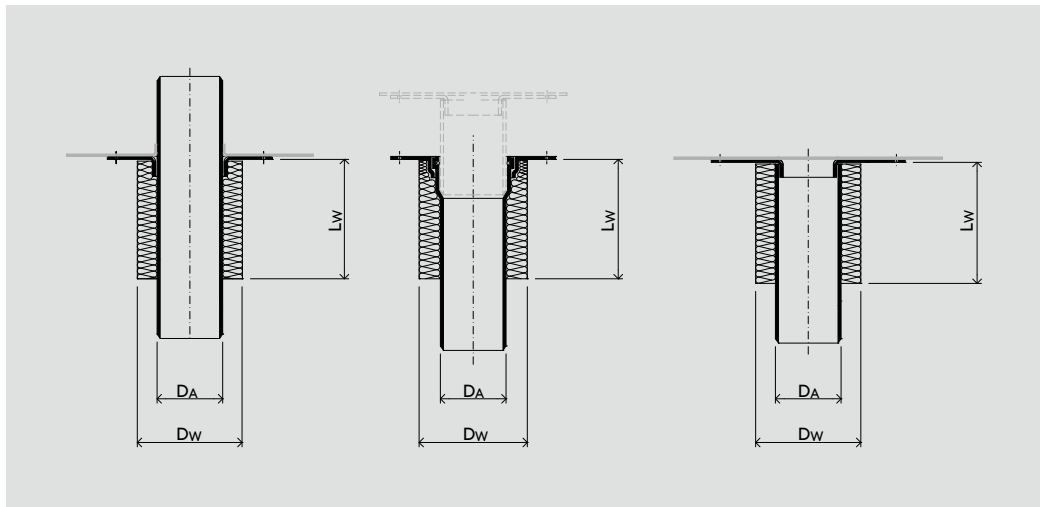
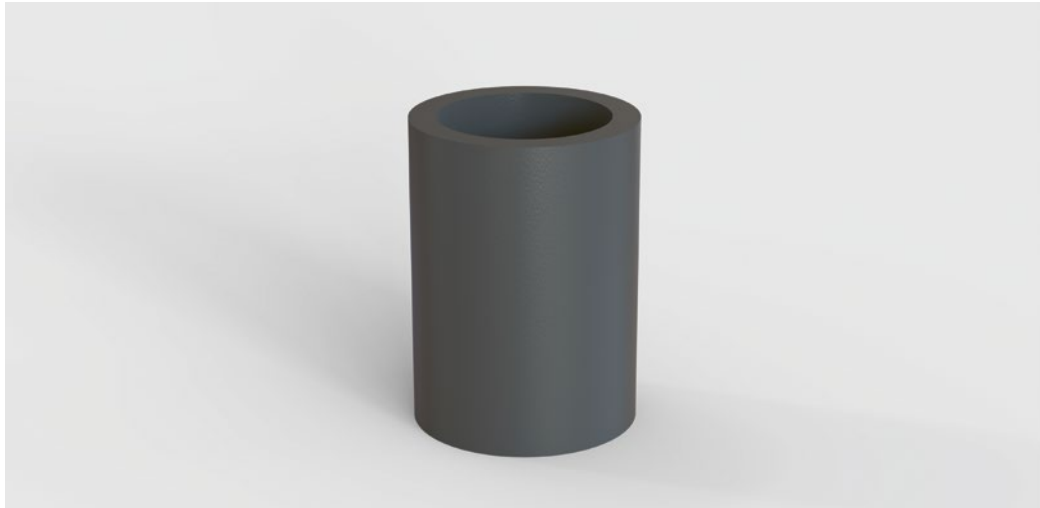
| Nominal Width | Product No. | D_R^{**} Ø [mm] | D_v^{***} Ø [mm] |
|-------------------|-------------|-------------------|--------------------|
| DN 50 (Ø 50 mm) | 210-U050 | 61-77 | 57-75 |
| DN 70 (Ø 75 mm) | 210-U075 | 87-108 | 83-106 |
| DN 80 (Ø 90 mm) | 210-U090 | 105-111 | 101-108 |
| DN 100 (Ø 110 mm) | 210-U110 | 120-135 | 116-131 |
| DN 125 (Ø 125 mm) | 210-U125 | 152-160 | 148-158 |
| DN 150 (Ø 160 mm) | 210-U160 | 194-200 | 190-195 |

b/s/t Thermal Insulation Tube

Specification ← Material
Microcellular rubber*

Length
200 mm

Suitable for
Pipelines with outside diameters
 D_A according to table



WG 4995 ←

| Nominal Width | Product No. | $D_w \text{ } \varnothing$ [mm] | L_w [mm] | $D_A \text{ } \varnothing$ [mm] |
|---------------|-------------|---------------------------------|------------|---------------------------------|
| DN 70 | 210-WD070 | 98 | 200 | 75 |
| DN 100 | 210-WD100 | 145 | 200 | 110 |
| DN 125 | 210-WD125 | 152 | 200 | 125 |
| DN 150 | 210-WD150 | 190 | 200 | 160 |

* Closed-cell foam based on synthetic rubber

Status: 03/22 b/s/t GmbH Koch Kunststofftechnologie reserves the right to make technical modifications.

b/s/t Universal Heater Band

Specification ←

Material

Silicone / glass, polyamide

For universal use on pipes from DN 70 to DN 200. Suitable for retrofitting.

Length

200 mm

230 VAC/8 watts

Certified following

EN 60335-1

EN 55014-1A1

EN 61000-3-2

EN 61000-3-3



WG 4995 ←

Type

DN 70 – 200

Product No.

210-010

b/s/t PVC Weather Cap

Specification ← Material
PVC-U, high impact strength,
UV-stabilised

Suitable for
Pipelines with outside diameters
 D_A according to table



WG 4995 ←

| Nominal Width | Product No. | $D_A \varnothing$ [mm] |
|---------------|-------------|------------------------|
| DN 70 | 113-070 | 75 |
| DN 100 | 113-100 | 110 |
| DN 125 | 113-125 | 125 |
| DN 150 | 113-150 | 160 |
| DN 200* | 113-200 | 289 |

b/s/t PA Weather Cap

Specification ← Material
PA (polyamide), high impact strength,
UV-stabilised

Suitable for
Pipelines with outside diameters
 D_A according to table



WG 4995 ←

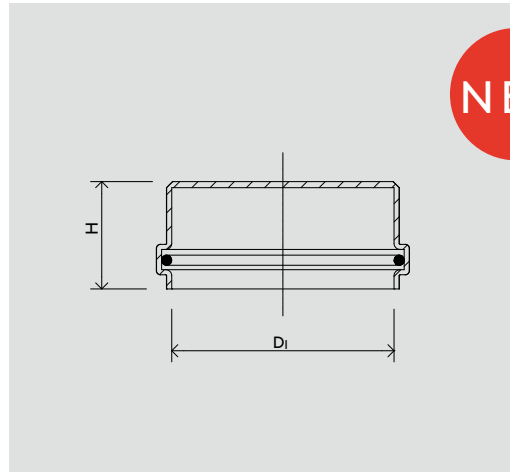
| Nominal Width | Product No. | $D_A \varnothing$ [mm] |
|---------------|-------------|------------------------|
| DN 70 | PA113-070 | 75 |
| DN 100 | PA113-100 | 110 |
| DN 125 | PA113-125 | 125 |
| DN 150 | PA113-150 | 160 |
| DN 200* | PA113-200 | 200 |

* Different material: PC
Status: 03/22 b/s/t GmbH Koch Kunststofftechnologie reserves the right to make technical modifications.

b/s/t PVC Control pipe cap

Specification ← Material
 PVC-U, high impact strength,
 UV-stabilized, varnished
 Including a sealing ring

Colours on request*
 Suitable for
 b/s/t Control pipe

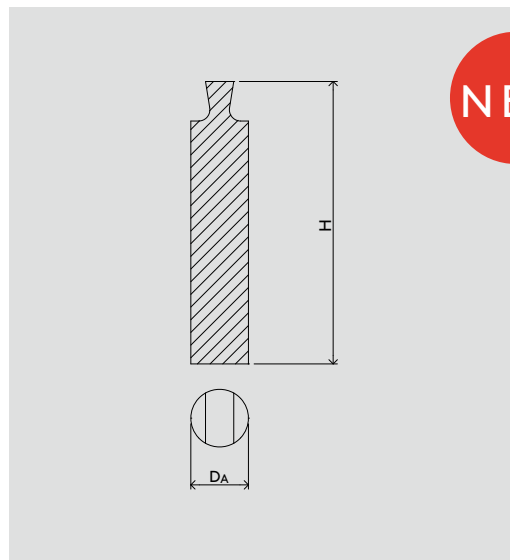


| WG 4995 ← | Nominal Width | Product No. | D ₁ ∅ [mm] | H [mm] |
|-----------|---------------|-------------|-----------------------|--------|
| | DN 100 | 114-100R | 100 | 53 |

b/s/t Pipe Core

Specification ← Material
 EPS rigid foam

Suitable for
 b/s/t Control Pipe



| WG 4995 ← | Nominal Width | Product No. | D _A ∅ [mm] | H [mm] |
|-----------|---------------|-------------|-----------------------|--------|
| | DN 100 | 210-EPSZ100 | 102 | 500 |

* Custom-made products cannot be returned.
 Status: 03.22 b/s/t GmbH Koch Kunststofftechnologie reserves the right to make technical modifications.

b/s/t PVC Renovation cover

Specification ←

Material

PVC-U, high impact strength,
UV-stabilised, incl. sealing ring

Suitable for

Pipelines with outside diameters
 D_A according to table



WG 4995 ←

| Nominal Width | Product No. | $D_A \varnothing$ [mm] |
|---------------|-------------|------------------------|
| DN 70 | 113-S070 | 75 |
| DN 100 | 113-S100 | 110 |
| DN 125 | 113-S125 | 125 |
| DN 150 | 113-S150 | 160 |

b/s/t PVC Elbow Pipe 87°

Specification ← Material
PVC-U, high impact strength,
UV-stabilised, incl. sealing ring

Suitable for
Pipelines with outside diameters
D_A according to table



| WG 4995 ← | Nominal Width | Product No. | D _A ∅ [mm] |
|-----------|---------------|-------------|-----------------------|
| | DN 50 | 199-87050 | 50 |
| | DN 70 | 199-87070 | 75 |
| | DN 100 | 199-87100 | 110 |
| | DN 125 | 199-87125 | 125 |
| | DN 150 | 199-87150 | 160 |
| | DN 200 | 199-87200 | 200 |

b/s/t PVC Elbow Pipe 45°

Specification ← Material
PVC-U, high impact strength,
UV-stabilised, incl. sealing ring

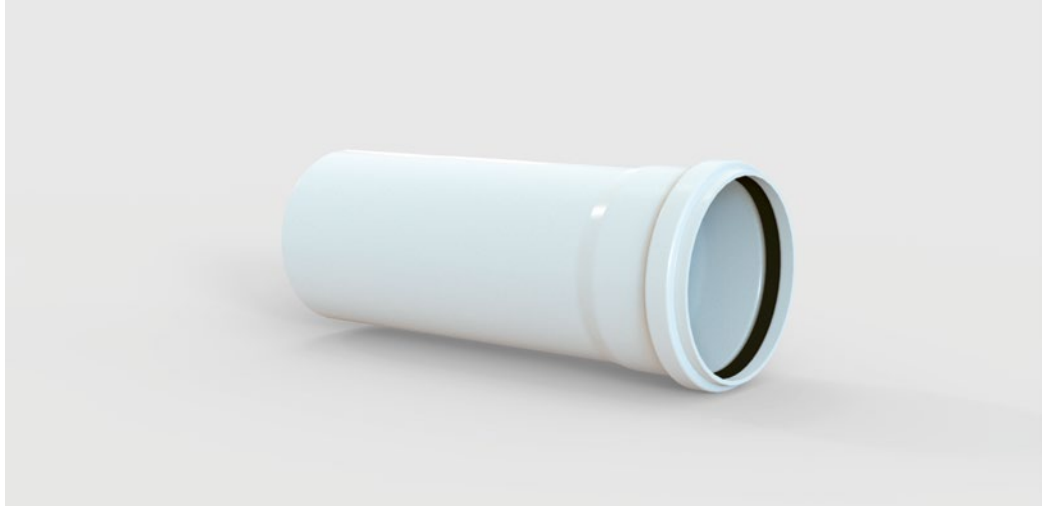
Suitable for
Pipelines with outside diameters
D_A according to table



| WG 4995 ← | Nominal Width | Product No. | D _A ∅ [mm] |
|-----------|---------------|-------------|-----------------------|
| | DN 100 | 199-45100 | 110 |
| | DN 125 | 199-45125 | 125 |
| | DN 150 | 199-45150 | 160 |

b/s/t PVC Socket Pipe (L=300/600)

Specification ←

MaterialPVC-U, high impact strength,
UV-stabilised, incl. sealing ringSuitable forPipelines with outside diameters
D_A according to table

WG 4995 ←

| Nominal Width | Product No. | D _A ∅ [mm] | Length [mm] | Nominal Width | Product No. | D _A ∅ [mm] | Length [mm] |
|---------------|-------------|-----------------------|-------------|---------------|-------------|-----------------------|-------------|
| DN 50 | 199-M050300 | 50 | 300 | DN 50 | 199-M050600 | 50 | 600 |
| DN 70 | 199-M070300 | 75 | 300 | DN 70 | 199-M070600 | 75 | 600 |
| DN 100 | 199-M100300 | 110 | 300 | DN 100 | 199-M100600 | 110 | 600 |
| DN 125 | 199-M125300 | 125 | 300 | DN 125 | 199-M125600 | 125 | 600 |
| DN 150 | 199-M150300 | 160 | 300 | DN 150 | 199-M150600 | 160 | 600 |
| DN 200 | 199-M200300 | 200 | 300 | DN 200 | 199-M200600 | 200 | 600 |
| DN 250 | 199-M250300 | 250 | 300 | DN 250 | 199-M250600 | 250 | 600 |

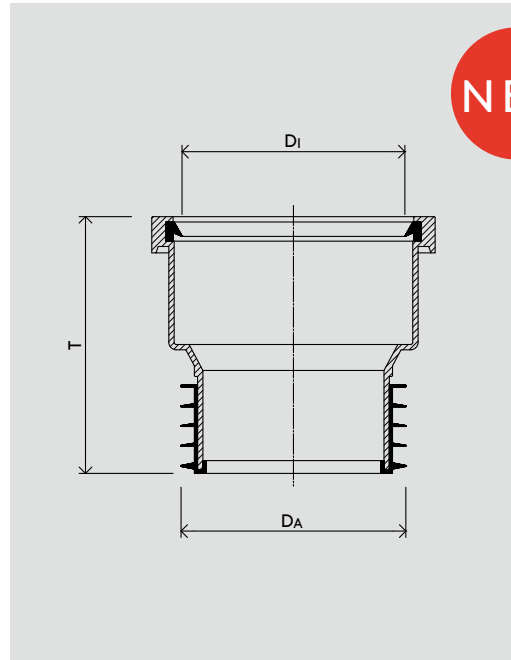
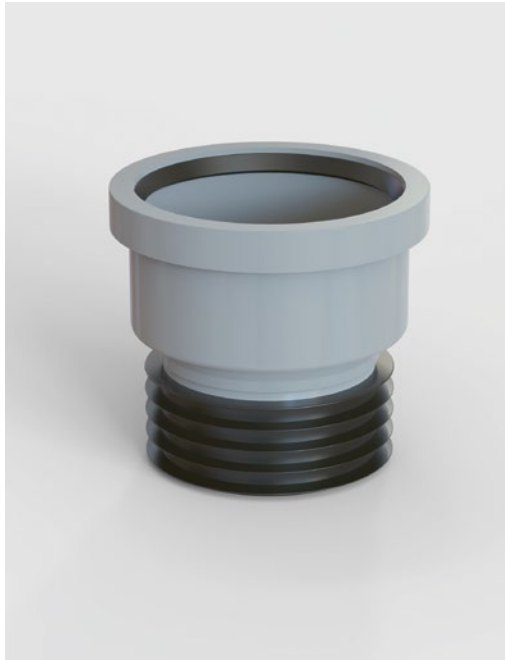
b/s/t Pipe Connector

Pipe coupling with ribbed seal for connecting DN 100 pipe to rainwater downpipe Ø 100 mm

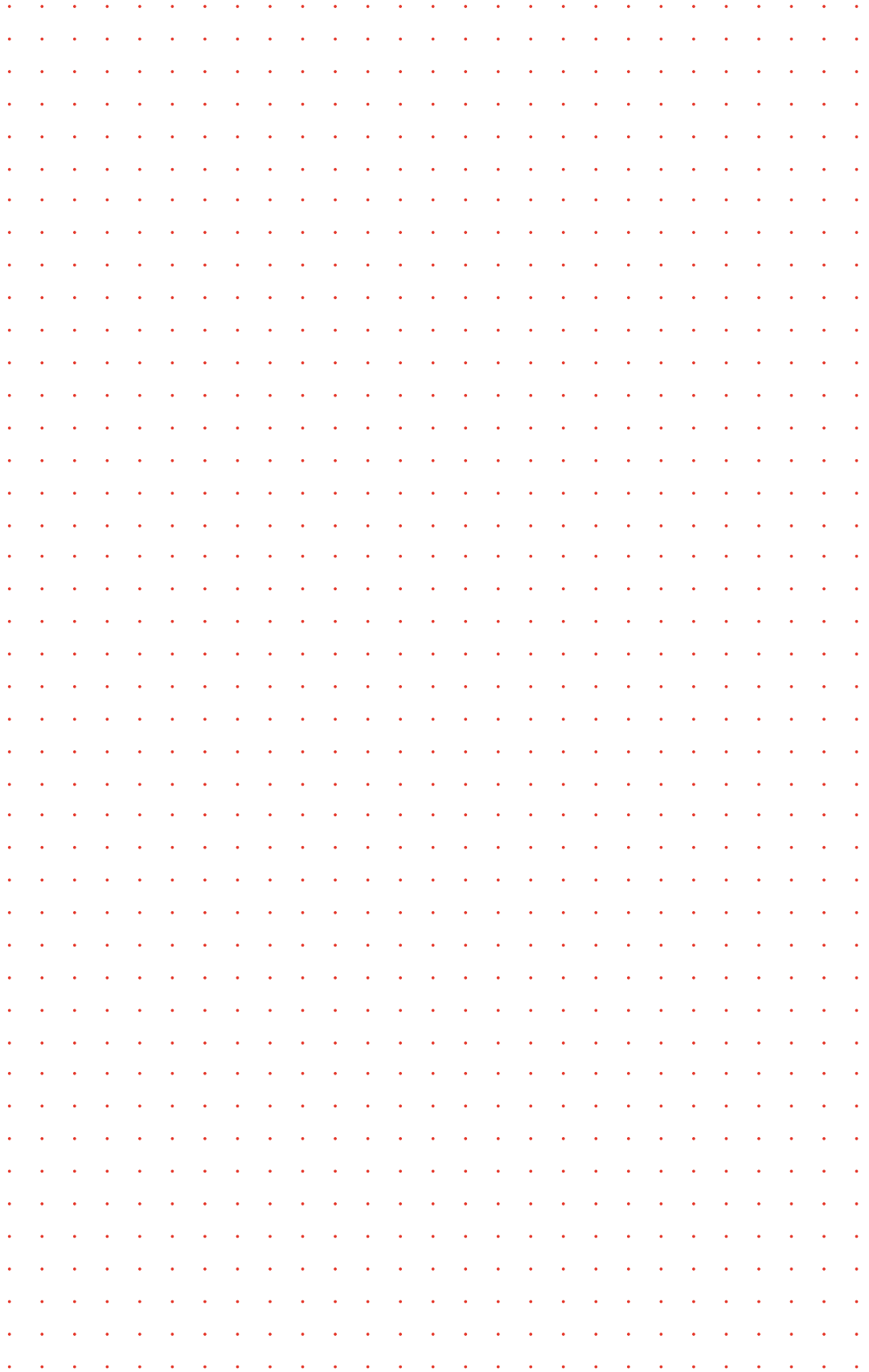
Specification ← Material
PP

Suitable for
Coupling DN100 pipes to Ø 100 mm pipes

Including EPDM sealing ring and EPDM ribbed anti-backflow seal



| WG 4995 ← | Nominal Width | Product No. | $D_A \varnothing$ [mm] | $D_1 \varnothing$ [mm] | T [mm] |
|-----------|---------------|-------------|------------------------|------------------------|--------|
| | DN 100 | 198-100 | 97-103 | 110 | 120.5 |



b/s/t Fastening System
for the safe fixing of roofing membranes

even in extreme wind conditions

b/s/t PVC Disc

for PVC, EVA and VAE roof sheeting

Specification ← **Material**
PVC-U, high impact strength,
UV-stabilised

Special model*
Colours on request

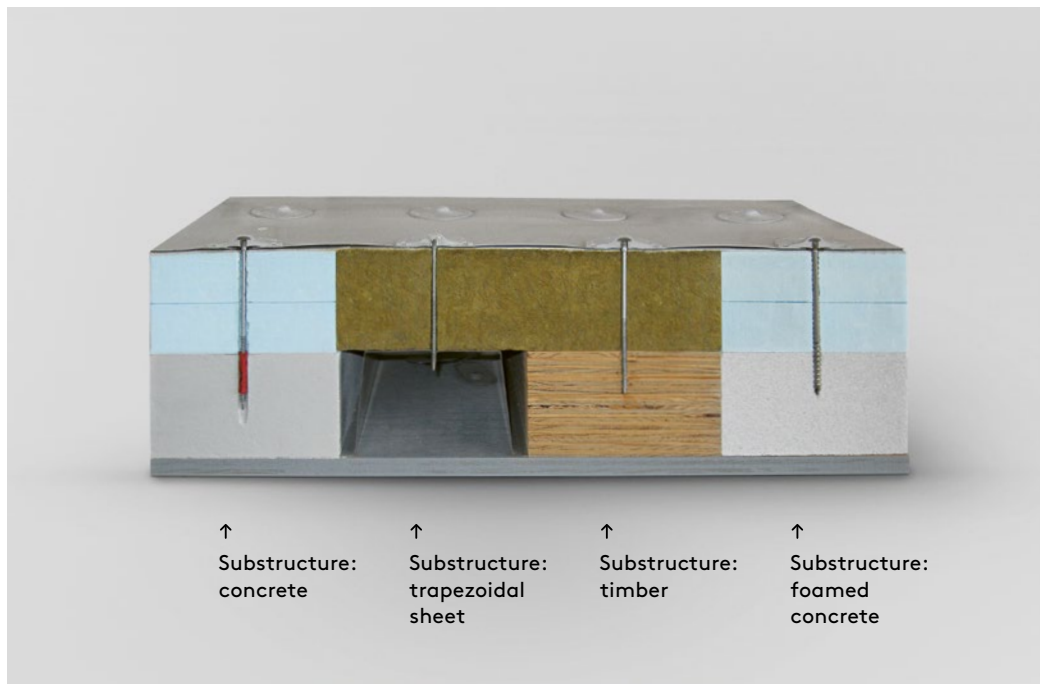
INFO

Free calculation of quantity ← **Minimum order quantity**
100 units

| WG 511 | Type | Product No. |
|--------|---------------|-------------|
| | light grey | 521-GR1 |
| | squirrel grey | 521-GR2 |
| | stone grey | 521-GR3 |
| | slate grey | 521-GR4 |



Installation ← **example**



* Custom-made products cannot be returned.
Status: 03/22 b/s/t GmbH Koch Kunststofftechnologie reserves the right to make technical modifications.

b/s/t Universal Screw BHS

Specification ←

Metal deck

Screw length =

Roof structure + 25 mm screw-in length

Timber deck

Screw length =

Roof structure + 35 mm screw-in length

Concrete deck

Screw length =

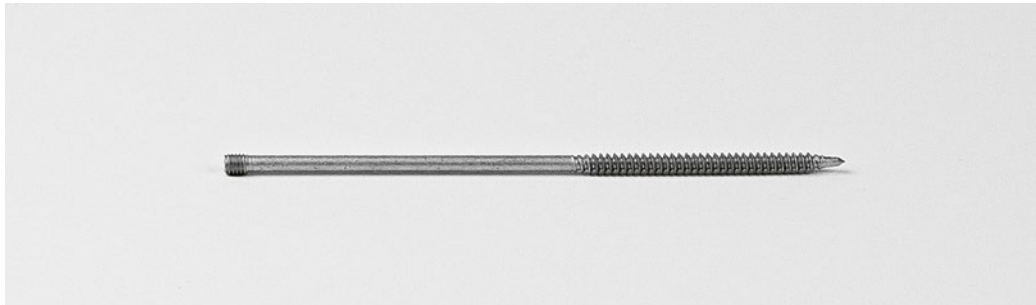
Roof structure + 50 mm screw-in length

Length of thread

70 mm max.

Minimum order quantity

100 units



WG 512 ←

| Type | Product No. | Type | Product No. |
|--------------|-------------|--------------|-------------|
| BHS M6 x 45 | 552-045 | BHS M6 x 165 | 552-165 |
| BHS M6 x 65 | 552-065 | BHS M6 x 185 | 552-185 |
| BHS M6 x 85 | 552-085 | BHS M6 x 205 | 552-205 |
| BHS M6 x 105 | 552-105 | BHS M6 x 225 | 552-225 |
| BHS M6 x 125 | 552-125 | BHS M6 x 245 | 552-245 |
| BHS M6 x 145 | 552-145 | | |

b/s/t Lightweight Concrete Screw Stainless Steel A2

Specification ←

Screw length =

Roof structure + 60 mm screw-in length

Length of thread

GB M6 x 80: 60 mm, GB M6 x 130: 80 mm

Minimum order quantity

100 units



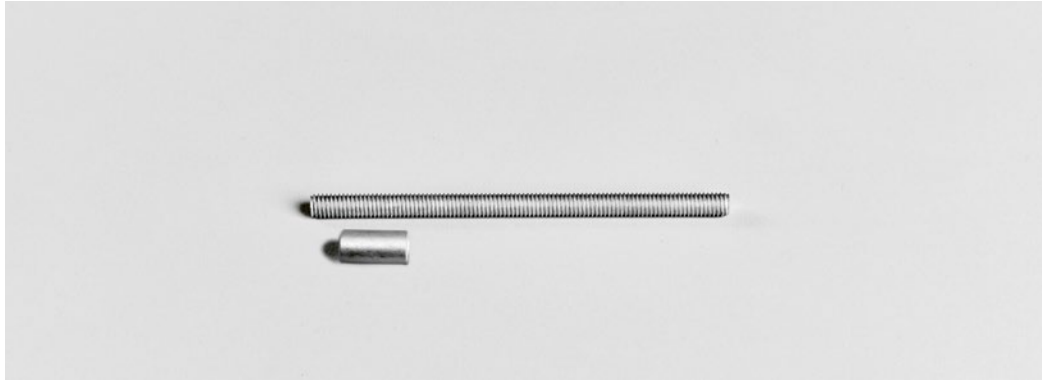
WG 512 ←

| Type | Product No. |
|-------------|-------------|
| GB M6 x 80 | 554-080 |
| GB M6 x 130 | 554-130 |

b/s/t Extension Element, Galvanised

Specification ← Threaded bolt M6 x 100
Threaded sleeve M6 x 20

Minimum order quantity
100 units



WG 512 ←

| Type | Product No. |
|--------------|-------------|
| BHS M6 x 20 | 561-Z020 |
| BHS M6 x 100 | 561-Z100 |

b/s/t Sealing Washer

Specification ← Required for polystyrene thermal insulation

Attention
Screws not supplied

Minimum order quantity
100 units



WG 513 ←

| Product No. |
|-------------|
| 531-100 |

b/s/t Dowel

Specification ← Required for concrete deckMinimum order quantity
100 units**WG 513** ←Type

Dowel 8 x 40

Product No.571-008

b/s/t Installation Adapter for Fastening System

Specification ← Required for installation of b/s/t discs.With hexagonal head bolt, to be used
with power screwdriver**WG 513** ← Product No.511-ES6

b/s/t Lightning Conductor Holder BSH

Specification ←

Material

PVC-U, high impact strength,
UV-stabilised

Colour

Light grey (further colours on request*)

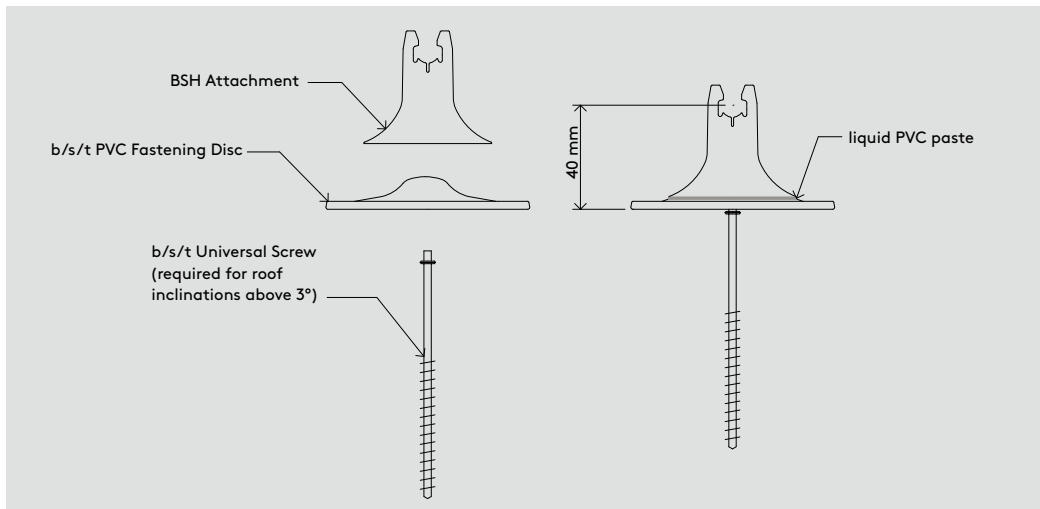
For wire gauge \varnothing 8 mm

Minimum order quantity

100 units

Note

Only in connection with b/s/t PVC fastening disc. The holder can be fixed to the roof deck using the b/s/t disc fastener with additional screw (see page 113).



WG 511 ←

Type

BSH Attachment

b/s/t PVC Fastening Disc

Universal Screw

Product No.

541-GR1

521-GR1

Various lengths and designs

* Custom-made products cannot be returned.

Status: 03/22 b/s/t GmbH Koch Kunststofftechnologie reserves the right to make technical modifications.

b/s/t PVC Lightning Conductor Flashing

Specification ← **Material**
 PVC-U, high impact strength,
 UV-stabilised

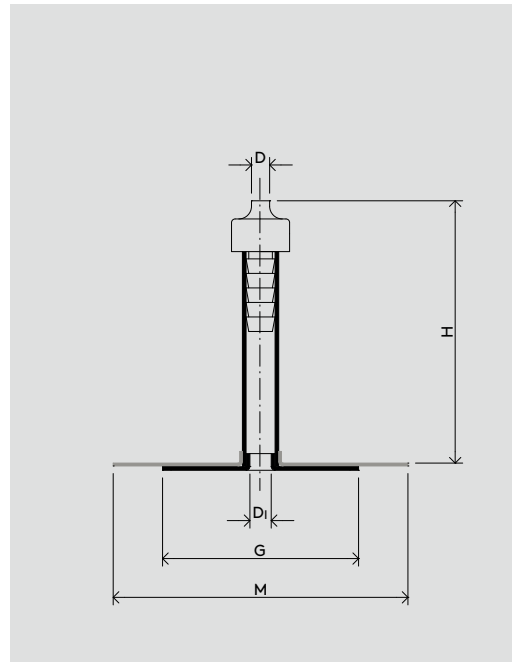
For wire gauge \varnothing 8 – 10 mm

Incl. elastic sealing plug

Membrane flange
 PVC, EVA (see page 158)

INFO Please order ←
 membrane
 flange
 separately

Special models ←
 on request*



| WG 1116 ← | Type | Product No. | D ₁ ∅ [mm] | D∅ [mm] | G∅ [mm] | M∅ [mm] | H [mm] |
|-----------|-----------------|-------------|-----------------------|---------|---------|---------|--------|
| | with base plate | 141-002 | 13 | 8 – 10 | 100 | 195 | 230 |


* Custom-made products cannot be returned.

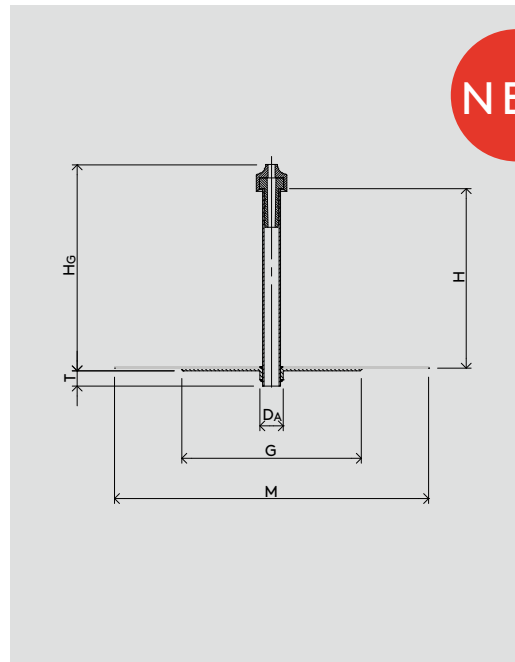
Status: 03/22 b/s/t GmbH Koch Kunststofftechnologie reserves the right to make technical modifications.

b/s/t PP Lightning Conductor Flashing

Specification ← **Material**
 PP, high impact strength, UV-stabilized
 For wire gauge Ø 8–10 mm
 Incl. Elastic sealing plug

Membrane flange
 PP (see page 159)

INFO Please order ←
 membrane
 flange
 separately
 Special models ←
 on request*




WG 2116 ←

| Type | Product No. | DAØ [mm] | G [mm] | M [mm] | H [mm] | H _G [mm] | T [mm] |
|-----------------|-------------|----------|--------|--------|--------|---------------------|--------|
| with base plate | PP141-002 | 26 | 200 | 350 | 200 | 230 | 17 |

* Custom-made products cannot be returned.
 Status: 03.22 b/s/t GmbH Koch Kunststofftechnologie reserves the right to make technical modifications.

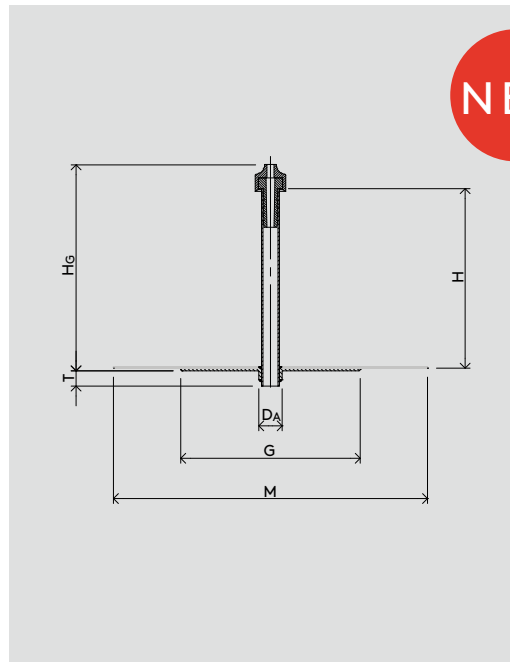
b/s/t PE Lightning Conductor Flashing

Specification ← **Material**
 PE, high impact strength, UV-stabilized
 For wire gauge Ø 8 – 10 mm
 Incl. Elastic sealing plug

Membrane flange
 PE (see page 159)

INFO Please order ←
 membrane
 flange
 separately

Special models ←
 on request*

WG 2116 ←

| Type | Product No. | DAØ [mm] | G [mm] | M [mm] | H [mm] | H _G [mm] | T [mm] |
|-----------------|-------------|----------|--------|--------|--------|---------------------|--------|
| with base plate | PE141-002 | 26 | 200 | 350 | 200 | 230 | 17 |

* Custom-made products cannot be returned.
 Status: 03.22 b/s/t GmbH Koch Kunststofftechnologie reserves the right to make technical modifications.

b/s/t Solar Panel Fastener

Connecting Bracket SB2

Specification ← Components:

b/s/t solar fastener, material
PVC-U, high impact strength,
UV-stabilised

Connecting bracket SB2, material
Aluminium

The b/s/t Solar Fastener has a M8 stainless steel stud on the top, which is used to mount the connecting bracket.

The solar fastener can be used on PVC, EVA or VAE roofing membranes. The solar fastener is fixed to the roof deck using the b/s/t BHS Universal Screw and liquid PVC welding paste.

The connecting bracket SB2 is fixed around the bottom assembly rail of the solar panel support. Two solar fasteners per bracket take the vertical loads caused by wind forces.

INFO

Free ←
of charge
calculation of
quantity



WG 521 ← Product No.
615-SB2

b/s/t Mounting Tool for Solar Panel Fastener

Specification ← With hexagonal head bolt, to be used with power screwdriver



WG 521 ← Product No.
610-S70

b/s/t Universal Screw SA

Specification ←

Material

Steel, galvanised

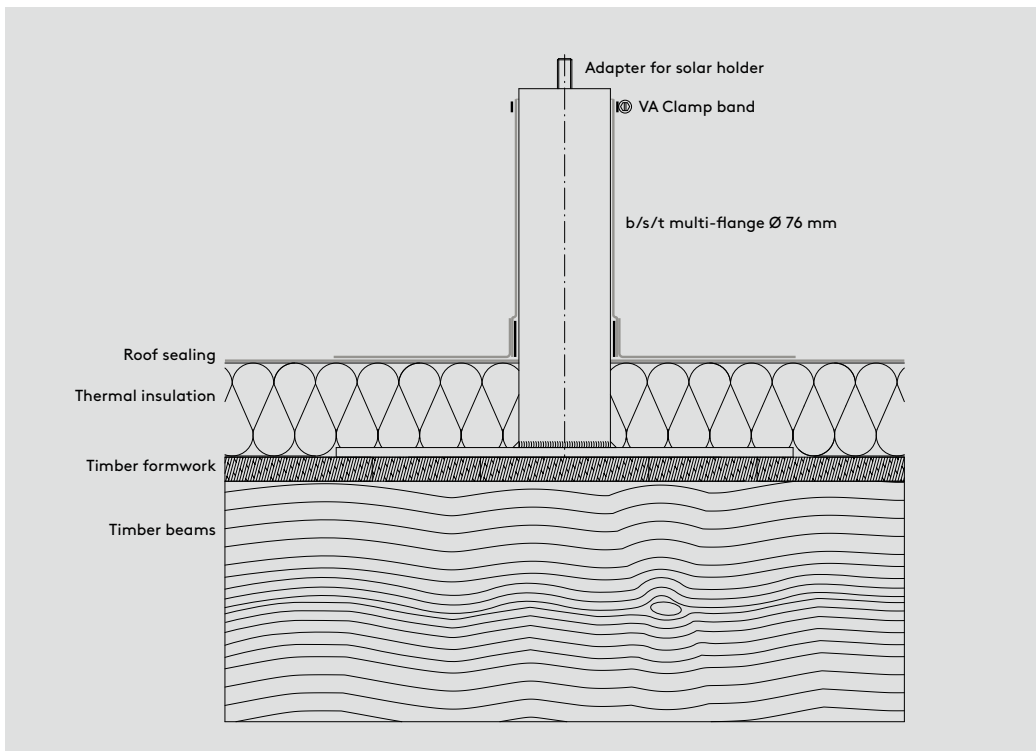
The b/s/t Universal Post SA can be installed directly on concrete decks, steel girders or timber decks. The post height and base plate dimensions are built to individual specifications (custom order*).

The post can be used to mount solar panels, snow retaining systems, air-conditioning elements, advertising hoardings and much more.

A fast and secure water seal can be achieved by using the b/s/t PVC Ø 76 mm Multi-Flange.



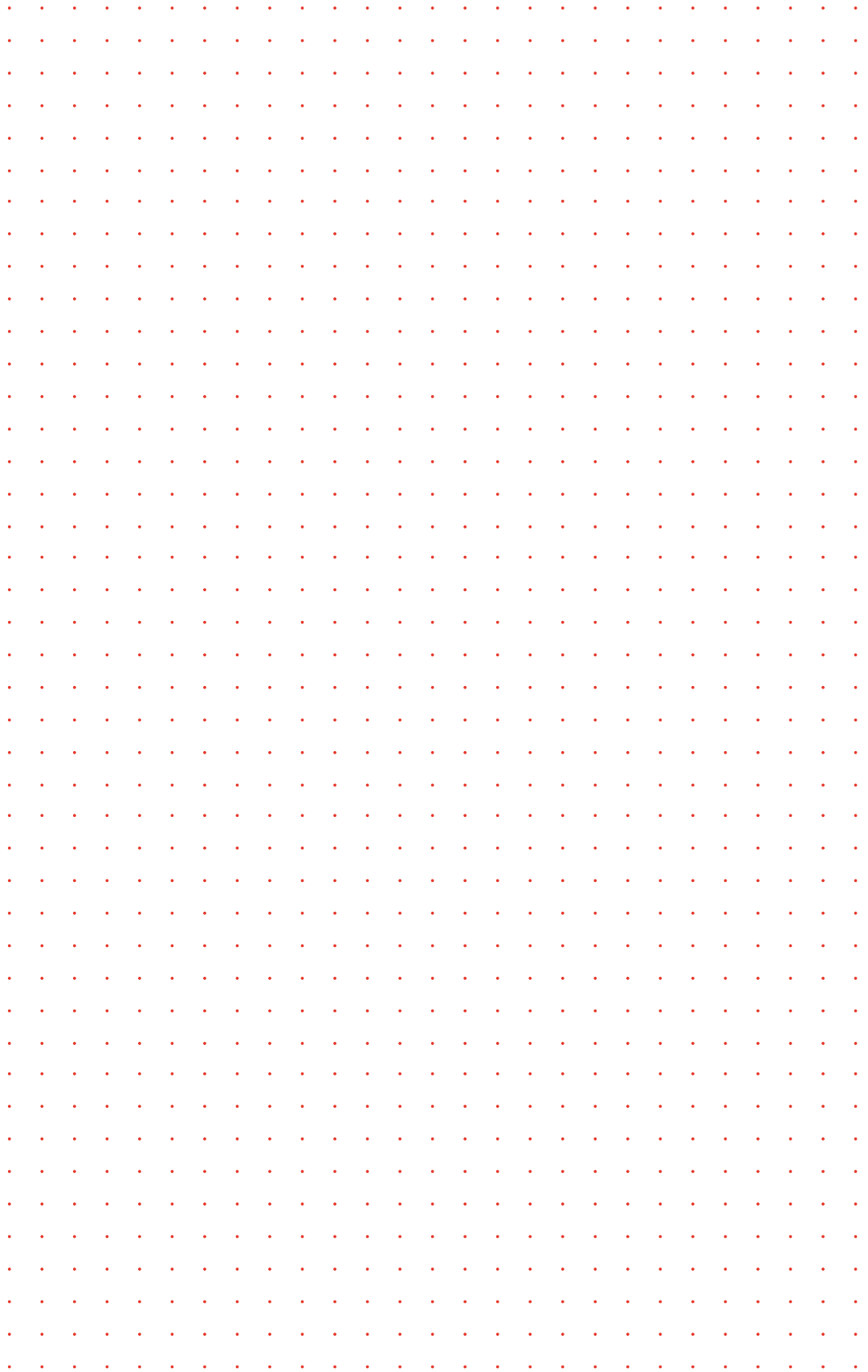
Installation ← example**



WG 1124 ←

| Type | Product No. |
|-------------------|-------------|
| Universal Post SA | 680-002 |

* Custom-made products cannot be returned.
 ** Fastening material is not included in the scope of delivery.
 Status: 03/22 b/s/t GmbH Koch Kunststofftechnologie reserves the right to make technical modifications.



**b/s/t Fall Protection Systems –
for maximum safety on flat roofs**

124–125 **Barrial® Roof Safety Railing System**

126–127 **Panorama® Self Supporting**

128–131 **Primo Anchor Points**

132–134 **Personal Safety Equipment**

Barrial® self-supporting*

Aluminium safety railing system for flat roofs inaccessible to the public



Manufacturer certification according to DIN EN 1090-1

The production control guarantees consistent quality and compliance of the products with applicable standards.

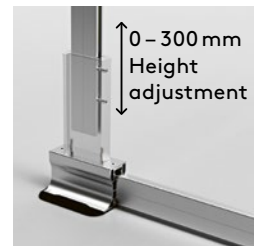
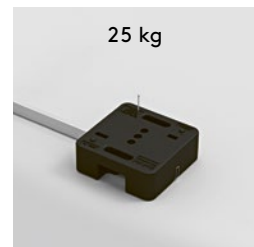
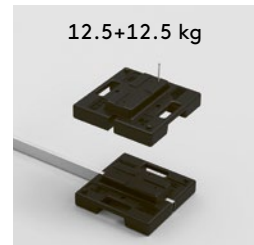


Abb. Barrial® self-supporting standard

Image: premium

| Side protection system according to | Handrail [mm] | Intermediate rail [mm] | Contres [mm] | Skirting [mm] |
|-------------------------------------|---------------|------------------------|--------------|---------------|
| DIN EN ISO 14122-3 | Ø 45 | Ø 35 | max. 1,500 | 100** |
| DIN EN 13374-Klasse A | Ø 35 | Ø 35 | max. 2,000 | 150*** |

Base fitting is compatible with the following railing types



Folding
Image: premium



Straight



Angled
15° / 30° / 45°



Curved

* Fall Protection Systems cannot be returned.

** Skirting is required if the parapet wall is low or absent (< 100 mm).

*** Skirting is required if the parapet wall is low or absent (< 150 mm).

Status: 03/22 b/s/t GmbH Koch Kunststofftechnologie reserves the right to make technical modifications.

Barrial® Corridor escape, rescue and maintenance corridors

A suitable solution for practically any roof design

Tested and ←
certified
DIN 14094-2



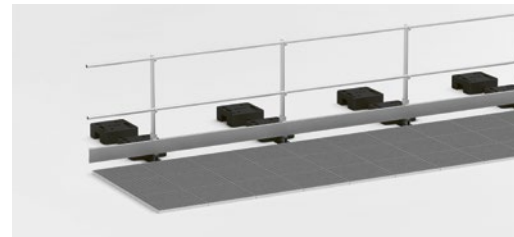
Note

Length and minimum width of escape, rescue and maintenance corridors are defined in workplace health and safety regulations.

Type 1*

Ideal as a escape, rescue or maintenance corridor with railings along one side for embedding in gravel coverings and green roofs. Possible coverings to the walkway (not included in the scope of delivery): open mesh (anti-slip), concrete slabs or rubber granulate slabs.

The version with eaves-sided or (in the absence of an adjoining roof area) double-sided railing is regulated in DIN 14094-2.

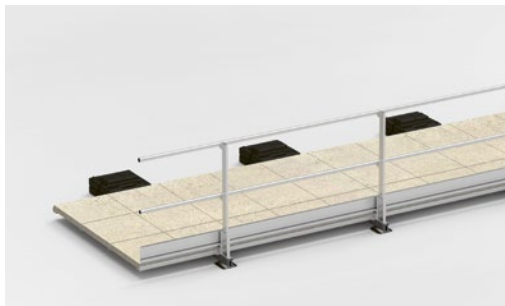


Specification ←

Type 2a und 2b*

Ideal as a rescue or maintenance corridor with railings along one or both sides for embedding in gravel coverings and green roofs. Possible coverings to the walkway

(not included in the scope of delivery): open mesh (anti-slip) or concrete slabs on gravel bed.



Specification ←

Type 3a und 3b*

Rescue or maintenance corridor with floor slabs as superimposed load with railings along one side or both sides. No additional weights are needed as the floor slabs also act as superimposed load. Width of

the walkway and grid pattern are adjusted to common panel sizes.



* Fall Protection Systems cannot be returned.

Status: 03/22 b/s/t GmbH Koch Kunststofftechnologie reserves the right to make technical modifications.

Panorama® self-supporting

We see the flat roof as an economic factor and offer attractive complete solutions for new buildings and existing properties. Flat roof areas designed as living space create additional free space for private and public Use – For terraces. For Urban Gardening. For recreation and relaxation. In short: an increase in value of the property.

- Type statics up to 1.0 kN/m horizontal impact load
- Modular, ballast supported modular system
- No penetration of the seal
- No thermal bridges and sound transmission
- Light, stable, weather and corrosion resistant
- No warranty problems
- Various fillings and colouring in RAL colour
- Additional feel-good rooms for new buildings and renovation



Requirements for the railing system

INFO

Flat roof ← areas are divided into different categories according to DIN 1991-1 Eurocode 1 and other country-specific standards. Depending on the category of use, the specified impact loads must be observed and fulfilled.

The Panorama self-supporting railing system allows installation without penetrating the sealing of a flat roof surface. Stability and tilt resistance is guaranteed by external ballast.

A covering structure is applied to the substructure of the railing system (cantilever rail + load-bearing plates), taking into account the required ballast per m².

The requirements for the railing system are directly influenced by various factors. A categorisation is made on the basis of the following parameters:

- Usage category of the flat roof surface (private/public) and required impact load
- selected covering (type) and construction height (weight) – e.g. gravel, greenery or floor slabs
- Required height of the railing from the level of the flooring (according to building regulations)
- freely available installation area for positioning the load support plates
- Height of the building and geographical location (wind load zone & overlay)

Verification by type statics

The Panorama self-supporting railing system is covered by a type statics. With the construction of this type statics on the basis of European standards and additional, country-specific requirements,

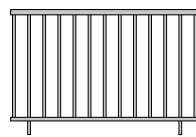
the stability can be verified by calculation – an individual verification per construction project is no longer necessary! The proven performance of the system is made up as follows:

INFO

The ← Panorama self-supporting railing system is available in Classic and Premium versions according to performance requirements



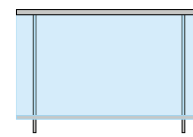
Panorama C-ST



Basic requirements

- Initial configuration with optimum requirements
- horizontal impact load up to 0.5 kN/m
 - Version with lattice bar filling
 - geographical position up to wind zone 3 with wind speeds up to 27.5 m/s
 - Required load in the area of the load support plates: 120 kg/m²

Panorama P-ST



Maximum requirement

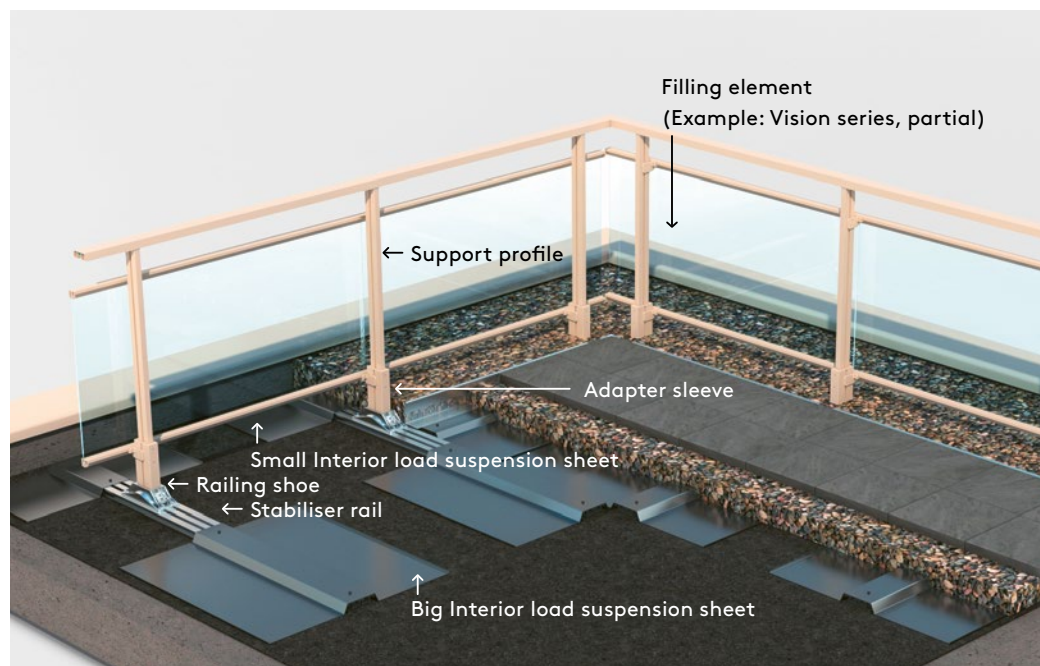
- Static complete utilization of the system
- horizontal impact load up to 1.0 kN/m
 - Design with lattice bar filling as well as partial and full glass filling
 - geographical location up to wind zone 3 with wind speeds up to 27.5 m/s. (others on request)
 - Required load in the area of the load support plates: 160 kg/m²

The components of the system

INFO

If you are ← interested, please order our detailed checklist giving further type options and a survey of the necessary parameters to ensure safety in your specific situation.

The freely ← available installation area for the substructure should be 2 m.



Fall Protection Primo 6 AD*

Single Attachment Anchor Point for concrete deck

- Specification** ←
- Stainless steel stop device
 - For dowelling onto min. C20/25 - concrete
 - concrete min. 140 mm
 - Single hole mounting
 - Mounting with heavy-duty dowels (included in delivery)
 - Load capacity: 3 persons per anchor point

The anchor point is approved and CE-tested according to DIN EN 795 Class A/B and has DIBt general building certification. Safe and fast lining with the b/s/t PVC multi-flange Ø 22 mm possible.

A fast and secure water seal can be achieved by using the b/s/t Multi-Flange Ø 22 mm.



WG 1121 ←

| Product No. | Height [mm] | Extending upwards [mm] |
|---------------|-------------|------------------------|
| 760-BS6AD-400 | 400 | 100 – 200 |
| 760-BS6AD-500 | 500 | 200 – 300 |
| 760-BS6AD-600 | 600 | 300 – 400 |

Fall Protection Primo 2 AD*

Single Attachment Anchor Point for concrete deck

- Specification** ←
- Stainless steel stop device
 - For dowelling onto min. C20/C25 - concrete
 - concrete min. 120 mm
 - Fastening with 2 concrete dowels (Included)
 - Base plate 100 mm x 200 mm
 - Load capacity: 3 persons per anchor point

The anchor point is approved and CE-tested according to DIN EN 795 Class A/B and has DIBt general building certification.

A fast and secure water seal can be achieved by using the b/s/t Multi-Flange Ø 22 mm.



WG 1121 ←

| Product No. | Height [mm] | Extending upwards [mm] |
|---------------|-------------|------------------------|
| 760-BS2AD-400 | 400 | 100 – 200 |
| 760-BS2AD-500 | 500 | 200 – 300 |
| 760-BS2AD-600 | 600 | 300 – 400 |

* Fall Protection Systems cannot be returned.

Status: 03/22 b/s/t GmbH Koch Kunststofftechnologie reserves the right to make technical modifications.

Fall Protection Primo 2 AH*

Single Attachment Anchor Point for timber deck

- Specification ←
- Stainless steel stop device
 - For screwing onto wooden beams (strength class C24)
 - Beam dimensions min. 120 mm x 120 mm
 - Fastening by means of disc head wood screw 8 x 100/80 T40 A2
 - Base plate 100 mm x 200 mm
 - Load capacity: 3 persons per anchor point

The anchor point is approved and CE-tested according to DIN EN 795 Class A/B and has DIBt general building certification.

A fast and secure water seal can be achieved by using the b/s/t Multi-Flange Ø 22 mm.



WG 1121 ←

| Product No. | Height [mm] | Extending upwards [mm] |
|---------------|-------------|------------------------|
| 760-BS2AH-400 | 400 | 100 – 200 |
| 760-BS2AH-500 | 500 | 200 – 300 |
| 760-BS2AH-600 | 600 | 300 – 400 |

Fall Protection Primo 7 OSB*

Single Attachment Anchor Point for timber deck

- Specification ←
- Stainless steel stop device
 - For screwing onto OSB board (min. 22 mm thick, strength class min. C24)
 - Fastening by means of 12 x round-head wood screws 6.0 x 100 mm TX25 A2
 - Beam dimensions min. 80 mm x 100 mm
 - Base plate 300 mm x 120 mm
 - Load capacity: 3 persons per anchor point

The anchor point is approved and CE-tested according to DIN EN 795 Class A/B and has DIBt general building certification.

A fast and secure water seal can be achieved by using the b/s/t Multi-Flange Ø 22 mm.



WG 1121 ←

| Product No. | Height [mm] | Extending upwards [mm] |
|----------------|-------------|------------------------|
| 760-BS7OSB-400 | 400 | 100 – 200 |
| 760-BS7OSB-500 | 500 | 200 – 300 |
| 760-BS7OSB-600 | 600 | 300 – 400 |

* Fall Protection Systems cannot be returned.

Status: 03/22 b/s/t GmbH Koch Kunststofftechnologie reserves the right to make technical modifications.

Fall Protection Primo 7 HS*

Single Attachment Anchor Point for timber

- Stop device made of stainless steel (Ø 20 mm)
- For screwing onto wooden formwork min. 24 mm (strength class min. C24)
- Beam dimensions min. 60 mm x 120 mm
- Mounting with 20 x round-head wood screw 6.0 x 100 mm TX25 A2
- Base plate 200 mm x 200 mm
- Load capacity: 3 persons per anchor point



The anchor point is approved and CE-tested according to DIN EN 795, Class A/B and has a general building approval from the DIBt.

Safe and fast lining with the b/s/t PVC multi-flange Ø 22 mm possible.

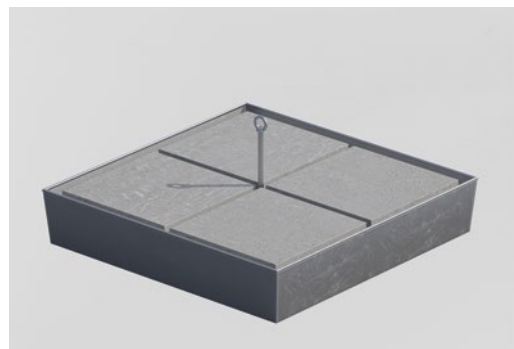
| WG 1121 ← | Product No. | Height [mm] | Extending upwards [mm] |
|-----------|---------------|-------------|------------------------|
| | 760-BS7HS-400 | 400 | 100 – 200 |
| | 760-BS7HS-500 | 500 | 200 – 300 |
| | 760-BS7HS-600 | 600 | 300 – 400 |

Fall Protection Primo 17 AG 1*

Load retained Anchor Point

- Load retained anchor points stainless steel
- Weighting with concrete plates depending on version (not included in delivery)
- Resilience: 1 person

Tested on bitumen and PVC as well as on concrete, wood, sheet metal. Attachment point is tested according to DIN EN 795, Class A/B.



| WG 1121 ← | Product No. | Height [mm] | Extending upwards [mm] |
|-----------|-------------|-------------|------------------------|
| | 760-BS17AG | 400 | 100 – 200 |

* Fall Protection Systems cannot be returned.

Status: 03/22 b/s/t GmbH Koch Kunststofftechnologie reserves the right to make technical modifications.

Fall Protection Primo 4 TP 2 Trapezoid*

Single Attachment Anchor Point for trapezoid

- Stop device made of stainless steel (Ø 20 mm)
- For screwing onto trapezoidal sheet metal (min. 0.75 mm)
- Mounting by means of 4 tilt dowels (Included)
- Base plate 214 mm x 300 mm
- Load capacity: 3 persons per anchor point

The anchor point is approved and CE-tested according to DIN EN 795 Class A/B and has DIBt general building certification.

A fast and secure water seal can be achieved by using the b/s/t Multi-Flange Ø 22 mm.



| WG 1121 ← | Product No. | Height [mm] | Extending upwards [mm] |
|-----------|----------------|-------------|------------------------|
| | 760-BS4TP2-400 | 400 | 100 - 200 |
| | 760-BS4TP2-500 | 500 | 200 - 300 |
| | 760-BS4TP2-600 | 600 | 300 - 400 |

Primo Thermal Insulation Hood*

Specification ←

For 3 or Single Attachment Anchor Points made of stainless steel

Height
400 mm



| WG 1121 ← | Type | Product No. |
|-----------|-------------------------------|-------------|
| | Primo Thermal Insulation Hood | 760-BSWDH |

* Fall Protection Systems cannot be returned.

Status: 03/22 b/s/t GmbH Koch Kunststofftechnologie reserves the right to make technical modifications.

Self-Retracting Lifeline*

To DIN EN 360:2002

Specification ←



The retractable lifeline offers a high degree of mobility and flexibility of use. The quick-action braking system works similar to a car safety belt. The mechanism keeps the cable, connected to the anchor point, under tension and guarantees an immediate stop function when necessary.

- Durable and low-maintenance retractable lifeline with galvanised steel cable
- Rotary swivel prevents twisting of the cable
- Lightweight and durable high-impact plastic housing
- Including karabiner double action hook and Ø 16 mm swivel eye, to connect the unit to the anchor post or anchorage line with a karabiner to DIN EN 362
- Approved for vertical or horizontal use, tested for fall over edge



| WG 1122 ← | Type | Cable Length | Housing | Weight | Dimensions [mm] | Product No. |
|-----------|-------------------------------|--------------|---------|--------|-----------------|--------------|
| | Retractable Lifeline HWPS 4,5 | 4.5 m cable | Plastic | 2.1 kg | 400 x 130 x 78 | 768-IKHWPS45 |
| | Retractable Lifeline HWPS 6 | 6.0 m cable | Plastic | 2.5 kg | 420 x 145 x 80 | 768-IKHWPS6 |
| | Retractable Lifeline HWPS 12 | 12.0 m cable | Plastic | 4.9 kg | 500 x 195 x 95 | 768-IKHWPS12 |

Equipment Bag*

Specification ←

For the safe storage and transport of safety equipment, ropes, lanyards and harnesses. Made of sturdy fabric.

Dimensions: Ø 30 cm, height 60 cm



Equipment Cabinet*

For the safe storage of safety equipment.

- Made of steel sheet metal
- For wall fastening, two mounting rods included
- Lockable
- Dimensions: 50 x 35 x 22 cm



| WG 1122 ← | Type | Product No. | Type | Product No. |
|-----------|---------------|-------------|-------------------|-------------|
| | Equipment Bag | 768-IKBG | Equipment Cabinet | 768-ARGS |

* Fall Protection Systems cannot be returned.
 Status: 03/22 b/s/t GmbH Koch Kunststofftechnologie reserves the right to make technical modifications.

Rescue Kit*

Specification ← Controlled descent rescue system with casualty lifting and remote reach capabilities; tested and certified in Germany to conform to the relevant European Standards. Designed for workers using full body fall arrest harnesses in conjunction with energy-absorbing lanyards or retractable-type devices. The Rescue Kit offers a compact, fully assembled and easily transported rescue unit. Using a lifting and releasing rescue action, the ABS3WH Rescue Kits are “NO CUT” rescue systems.

The kit contains

– ABS3WH controlled descent device with rescue lifting facility or automatic speed regulation for lowering off

- 1.0 m webbing anchorage sling
- Steel IKV 13 screw-gate karabiner a connection device
- Remote reach pole – 307 x 2.5 x 2.5 cm (extended), 81 x 2.5 x 2.5 cm (retracted), with clamp to keep the rope karabiner hook in open position
- 10 mm diameter kernmantle rope with small double-action hooks at each end
- Available in two lengths of rope: 20.0 m or 40.0 m
- Edge rope protection plate for rescue application over roof edge
- Purpose-made rescue tackle bag
- Detailed information/instruction card
- Weight only 6.2 kg

Rescue distance up to 5.0 m



| WG 1122 ← Type | Product No. |
|-----------------|-------------|
| Rescue Kit 20 m | 768-IKRS20 |
| Rescue Kit 40 m | 768-IKRS40 |

* Fall Protection Systems cannot be returned.

Status: 03/22 b/s/t GmbH Koch Kunststofftechnologie reserves the right to make technical modifications.

Safety Bundles*

Specification ←

Set 1* to DIN EN 363:2008

The bundle contains

- Safety Harness IK G1
- Adjustable Fall Arrest Lanyard AG01
- 12 mm diameter kernmantle horizontal safety rope, length 10.0 m
- Small equipment bag

Set 2* to DIN EN 363:2008

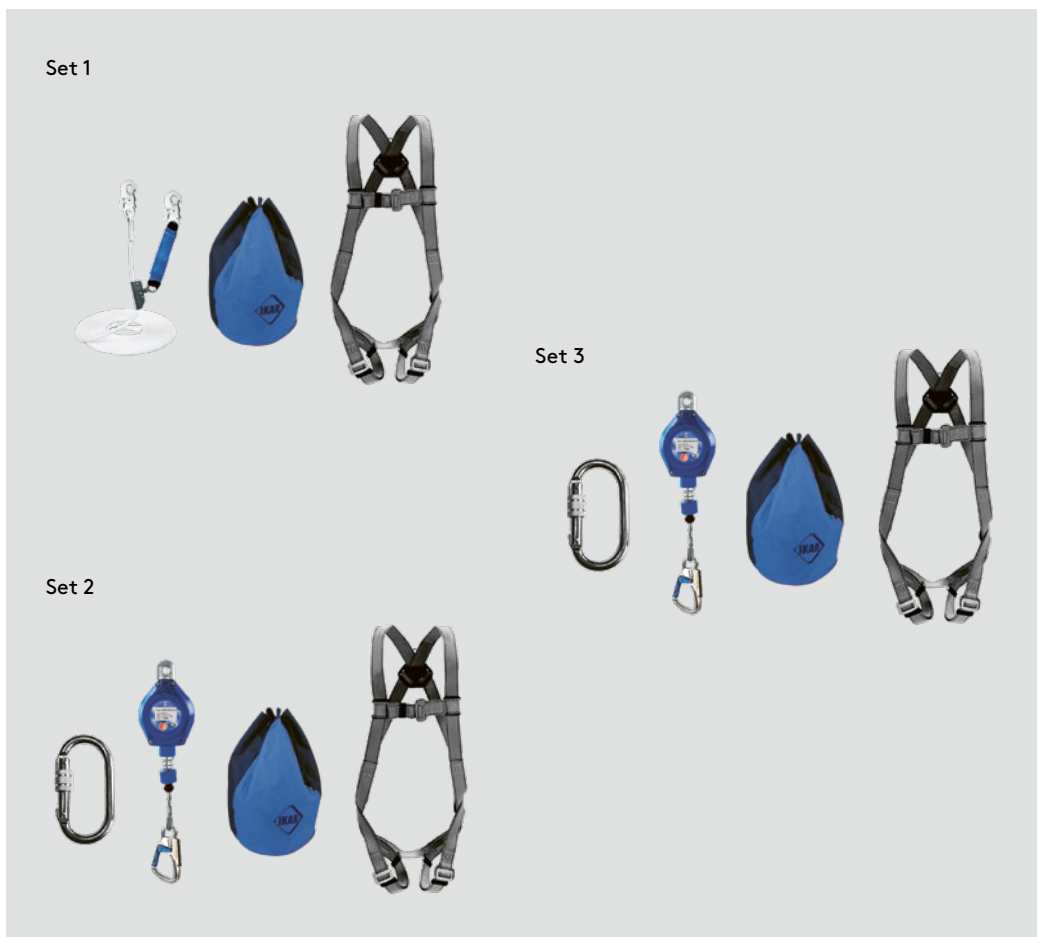
The bundle contains

- Safety Harness IK G1
- Retractable Lifeline HWPS 4.5, length of steel cable 4.5 m
- Standard karabiner hook IKV 13
- Small equipment bag

Set 3* to DIN EN 363:2008

The bundle contains

- Safety Harness IK G1
- Retractable Lifeline HWPS 6, length of steel cable 6.0 m
- Standard karabiner hook IKV 13
- Small equipment bag



WG 1122 ←

| Type | Product No. |
|-------|-------------|
| Set 1 | 768-IKSS1 |
| Set 2 | 768-IKSS2 |
| Set 3 | 768-IKSS3 |

* Fall Protection Systems cannot be returned.

Status: 03/22 b/s/t GmbH Koch Kunststofftechnologie reserves the right to make technical modifications.

b/s/t PVC Multi-Flange

Specification ← Material
PVC-P

Standard construction height
150 mm

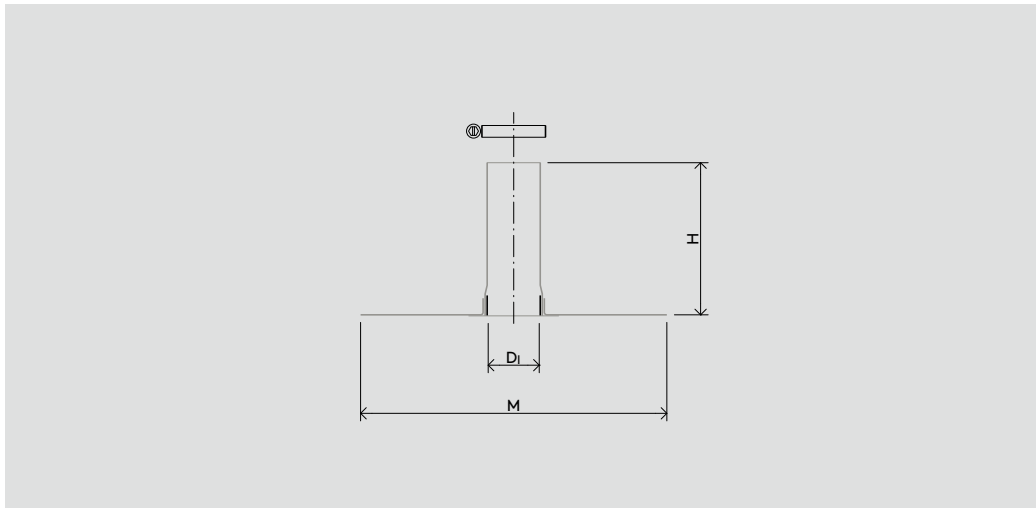
Pre-fabricated flashing for fall arrest posts or cylindrical pipes, including stainless steel hose clamp. For available diameters see table below.

Except Multi-Flange 12 mm and 50 mm
Standard construction height 200 mm

Membrane flange
PVC, EVA (see page 158)

INFO Please order ←
membrane
flange
separately

Special models ←
on request*



WG 1116 ←

| Type | Product No. | DlØ [mm] | M [mm] | H [mm] |
|---------------------|-------------|----------|-----------|--------|
| Multi-Flange 12 mm | 171-MF012 | 10-12 | Ø 200 | 200 |
| Multi-Flange 18 mm | 171-MF018 | 18 | Ø 200 | 150 |
| Multi-Flange 22 mm | 171-MF022 | 22 | Ø 200 | 150 |
| Multi-Flange 25 mm | 171-MF025 | 25 | Ø 200 | 150 |
| Multi-Flange 50 mm | 171-MF050 | 50 | 300 x 300 | 200 |
| Multi-Flange 76 mm | 171-MF076 | 76 | 350 x 350 | 150 |
| Multi-Flange 90 mm | 171-MF090 | 90 | 350 x 350 | 150 |
| Multi-Flange 102 mm | 171-MF102 | 102 | 350 x 350 | 150 |
| Multi-Flange 115 mm | 171-MF115 | 115 | 350 x 350 | 150 |

* Custom-made products cannot be returned.
Status: 03/22 b/s/t GmbH Koch Kunststofftechnologie reserves the right to make technical modifications.

b/s/t Multi-Flange

Special Custom Built Solution

Specification ← b/s/t also offers custom made* pipe flashings.
The flashings can be made of flexible PVC-P, EVA or FPO material.

Please contact ←
us for further
information
Phone:
+49 8051 69 09 70



| Type | Product No. |
|-----------------------|-------------|
| PVC-Special Solutions | 2912 |
| PE-Special Solutions | 2913 |
| PP-Special Solutions | 2914 |

* Custom-made products cannot be returned.
Status: 03/22 b/s/t GmbH Koch Kunststofftechnologie reserves the right to make technical modifications.

b/s/t Snow Guard System

Specification ← **Material**

The b/s/t Snow Guard System consists of the following components: galvanised base plate with fixing material (optional) and bracket for snow guard pipes (stainless steel A 1.4301). The snow guard pipes are not included in scope of delivery. A standard galvanised steel pipe (Ø 33.7 mm, gauge 2.0 mm) – in combination with pipe connectors can be used as a snow guard pipe.

The specific alignment of the snow guard system is calculated by b/s/t for every single project.

The forces on the roof substructure caused by the Snow Guard System must be verified by the responsible structural designer of the building project.

INFO The b/s/t ← Snow Guard System can be set directly on the roofing membrane and is fixed to the deck of the roof (trapezoidal metal, timber or concrete).

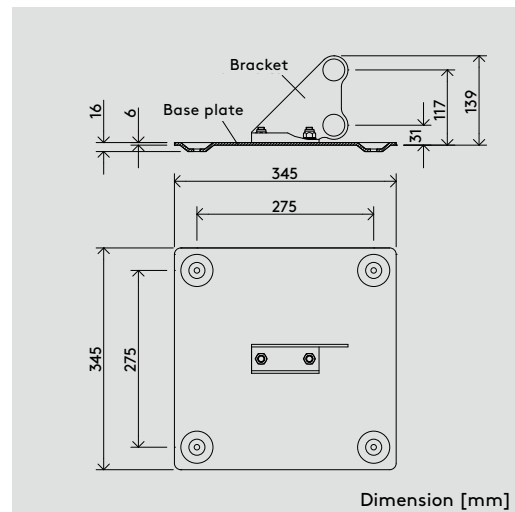
The Type 1 system is independent of the position and existence of girders or binders.

Free calculation ← of quantity

Please ask ← for prices and delivery times!



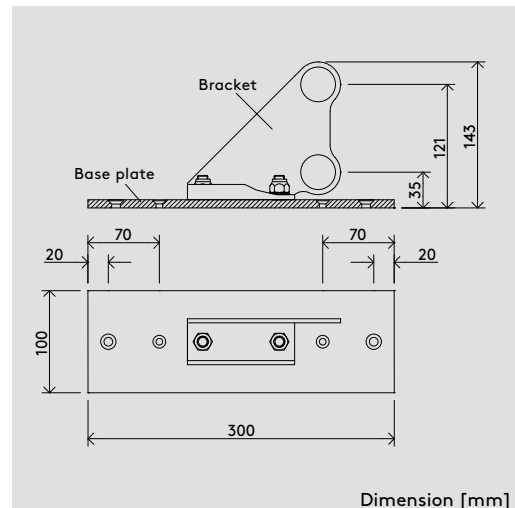
Type 1 for trapezoidal metal decks



Dimension [mm]



Type 2 for timber decks



Dimension [mm]

WG 1125 ← **Type**

Product No.

| | |
|--------------------------|---------|
| Snow guard system Type 1 | 821-000 |
| Snow guard system Type 2 | 822-000 |

* Custom-made products cannot be returned.
 Status: 03/22 b/s/t GmbH Koch Kunststofftechnologie reserves the right to make technical modifications.

b/s/t Snow Stop Device

Specification ← Material
PVC-U, high impact strength,
UV-stabilised

Height
30 mm

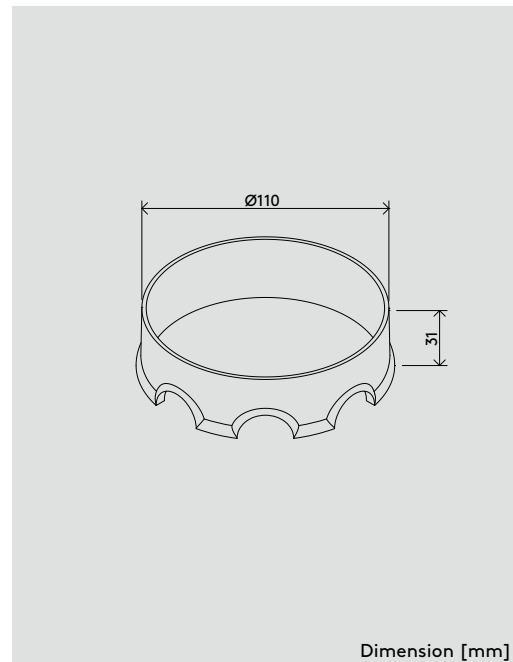
For welding onto the roof membrane using
liquid PVC paste

Colour
Light grey

Special model*
Special colours on request

INFO

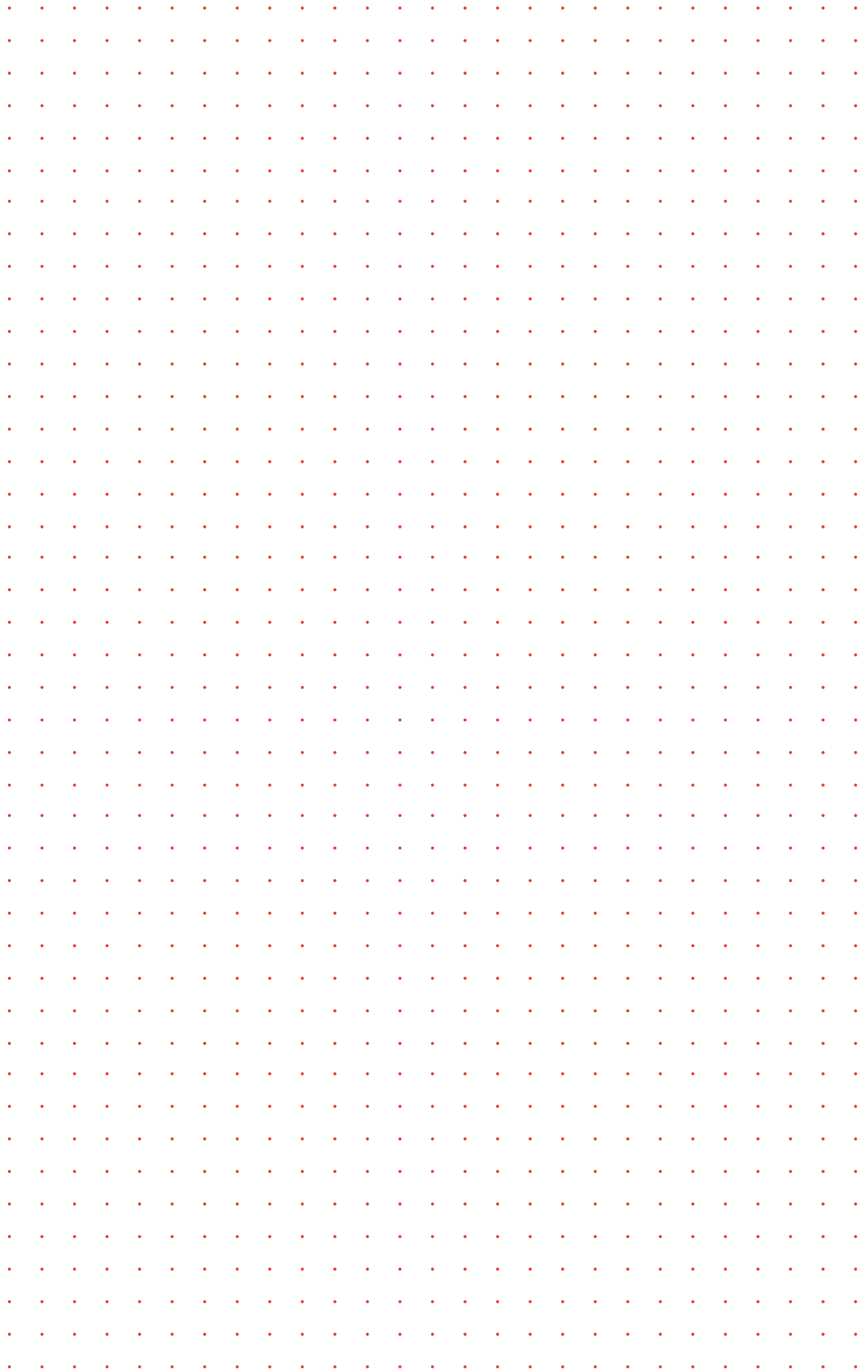
Free ←
of charge
calculation of
quantity



WG 1125 ← Type
Ø 110 mm light grey

Product No.
850-GR1

* Custom-made products cannot be returned.
Status: 03/22 b/s/t GmbH Koch Kunststofftechnologie reserves the right to make technical modifications.



b/s/t Metal Sheet (table ware)

Specification ← Material
PVC-P, Metal Sheet

Thickness
1.4 mm (coating: 0.8 mm)



| WG 311 ← | Type | Product No. | Colour |
|----------|---------------------|-------------|------------|
| | 50 panels 1 m x 2 m | 311-050 | light grey |
| | 30 panels 1 m x 3 m | 311-030 | light grey |

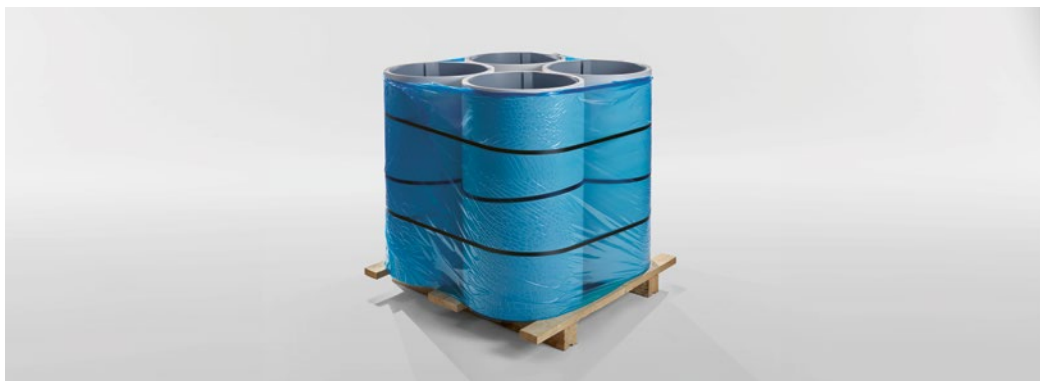
b/s/t Metal Sheet Baby Coils

Specification ← Material
PVC-P, Metal Sheet

Width
1.0 m

Thickness
1.4 mm (coating: 0.8 mm)

Pack size
4 coils at 30 running metres per pallet



| WG 311 ← | Type | Product No. | Colour |
|----------|---------------------|-------------|------------|
| | 4 Coils, 30 m x 1 m | 3114 | light grey |
| | 4 Coils, 30 m x 1 m | 3114-S | anthracite |

b/s/t Metal Sheet Jumbo Coil

| | | |
|-----------------|--------------------------|---|
| Specification ← | <u>Material</u> | <u>Width</u> |
| | PVC-P, Metal Sheet | 1.0 m |
| | <u>Thickness</u> | <u>Pack size</u> |
| | 1.4 mm (coating: 0.8 mm) | 1 coil at 225 running metres per pallet |



| | | | |
|----------|---------------------|--------------------|---------------|
| WG 311 ← | <u>Type</u> | <u>Product No.</u> | <u>Colour</u> |
| | 1 coil, 225 m x 1 m | 3114.1 | light grey |

b/s/t Aluminium Gravel Stop Rail

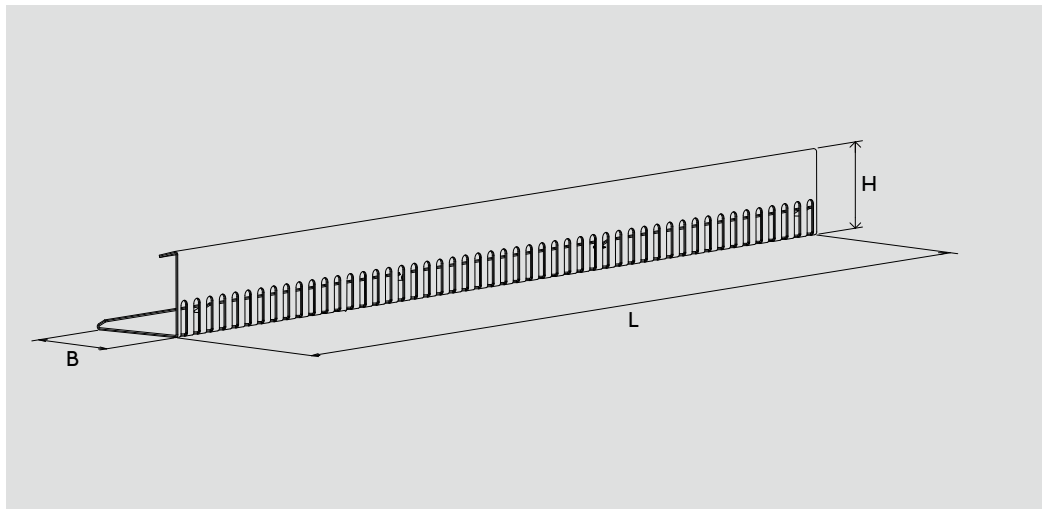
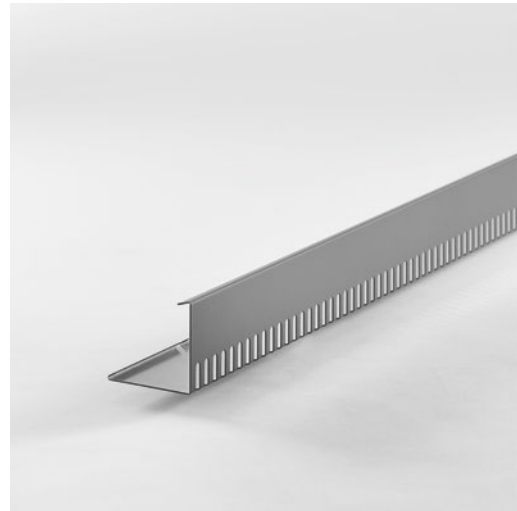
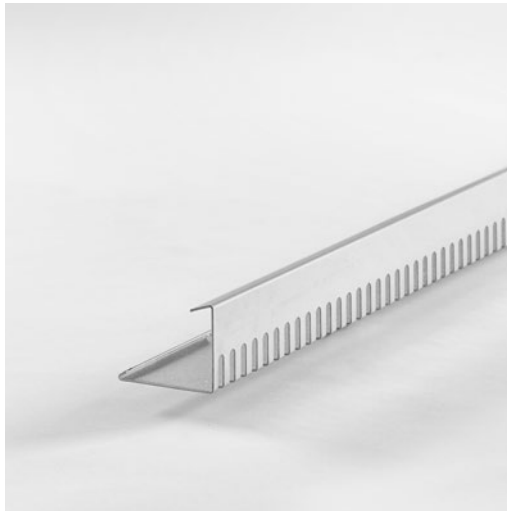
Specification ← Material
Aluminium,
PVC light grey or PVC anthracite

Thickness
1.8 mm (coated: 0,8 mm)

Top coat
PVC light grey or PVC anthracite

Length
2 running metres/unit, including sheet
metal connector

To be welded to roofing membranes using
liquid PVC paste.



WG 317 ← b/s/t Aluminium Gravel Stop Rail
PVC light grey

| | Product No. | L [mm] | B [mm] | H [mm] |
|---------------|-------------|--------|--------|--------|
| Height: 65 mm | 321-V06 | 2000 | 80 | 65 |
| Height: 90 mm | 321-V09 | 2000 | 90 | 90 |

WG 317 ← b/s/t Aluminium Gravel Stop Rail
PVC anthracite

| | Product No. | L [mm] | B [mm] | H [mm] |
|---------------|-------------|--------|--------|--------|
| Height: 65 mm | 321-V06.1 | 2000 | 80 | 65 |
| Height: 90 mm | 321-V09.1 | 2000 | 90 | 90 |

b/s/t Universal Gravel Stop Rail

Specification ←

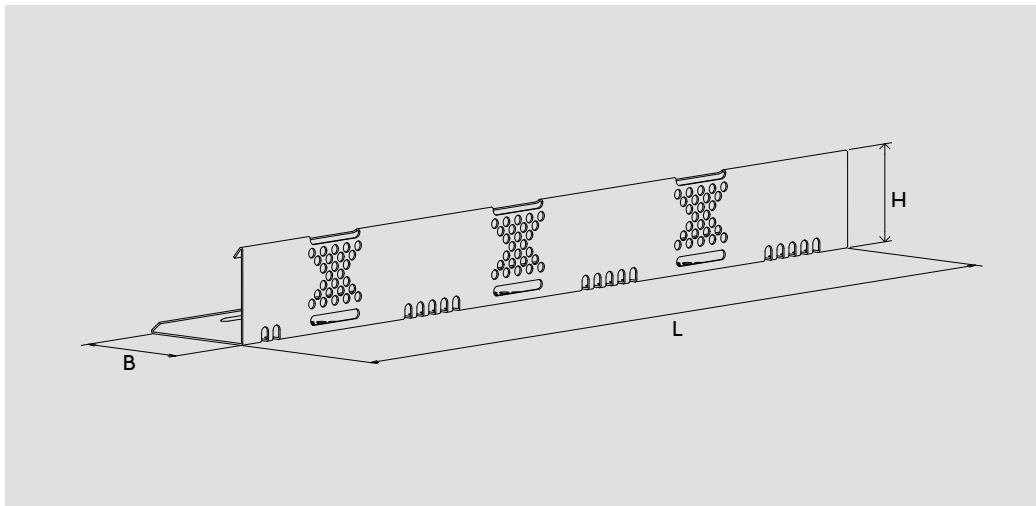
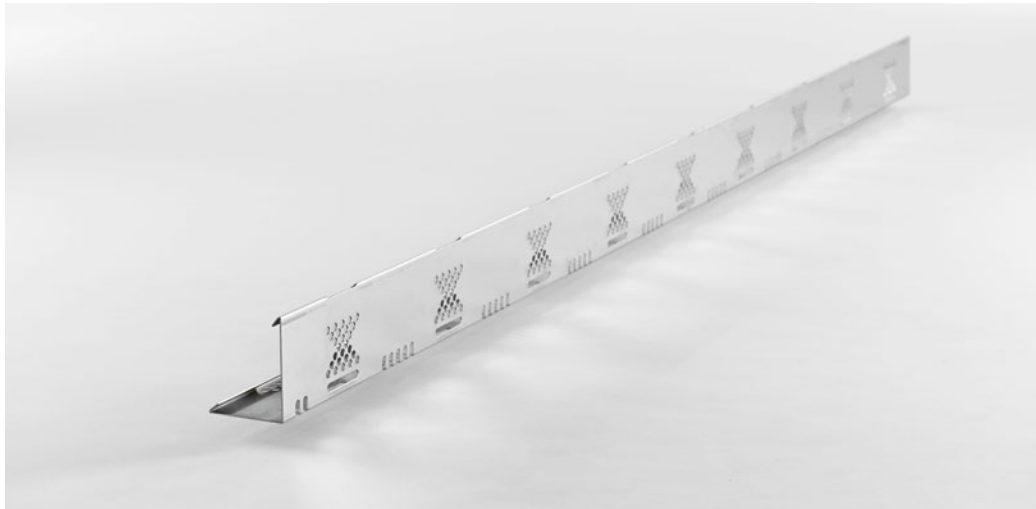
Material
Aluminium

Thickness
1.5 mm

Length
2 running metres/unit, including sheet metal connector

Can be used with single-ply membranes or bitumen sheeting. The rail is fixed with membrane strips or hot air/gas torch (with bitumen).

Two different side lengths (100 mm and 80 mm) allow for profiles of variable height.



WG 318 ←

Type
Universal Gravel Stop Rail

Product No.
321-V80-100

b/s/t Stainless Steel Paving Border Rail 90 PVC light grey

Specification ←

Material

Stainless steel 1.4404
PVC-P light grey

Height of profile

90 mm

Thickness

1.4 mm (coated: 0.8 mm)

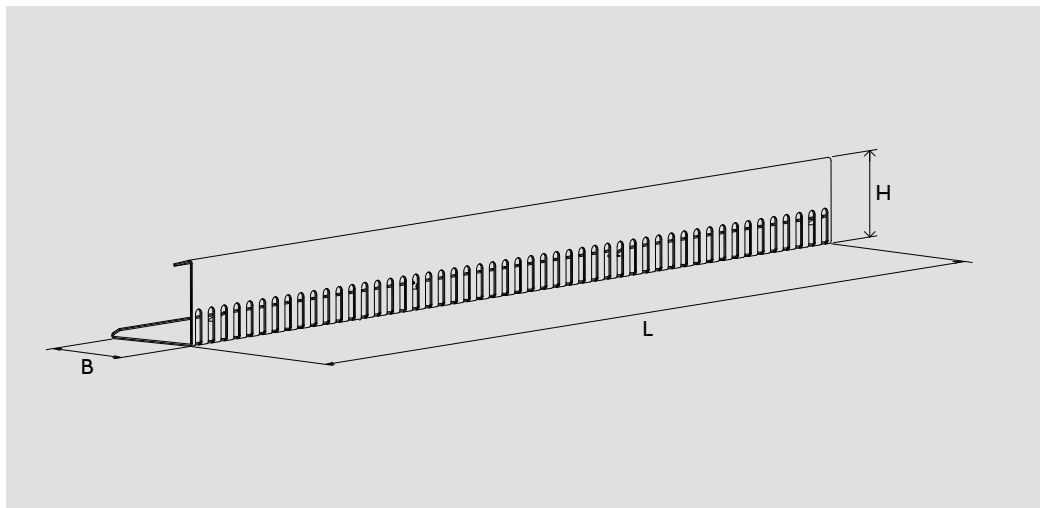
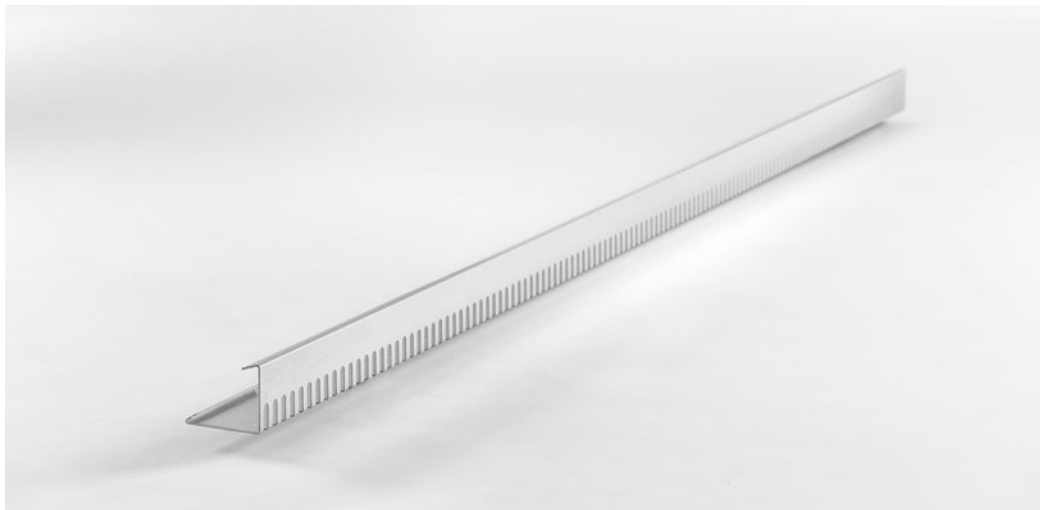
Surface

PVC light grey

Length

2 running metres/unit, including stainless steel rail connector

To be welded to roofing membranes using liquid PVC past



WG 315 ←

Type

Paving Border Rail

Product No.

324-GR09

b/s/t Universal Stainless Steel Paving Border Rail 80/100

Specification ←

Material

Stainless steel 1.4404

Height of profile

80/100 mm

Two different side lengths (100 mm and 80 mm) allow for profiles of variable height.

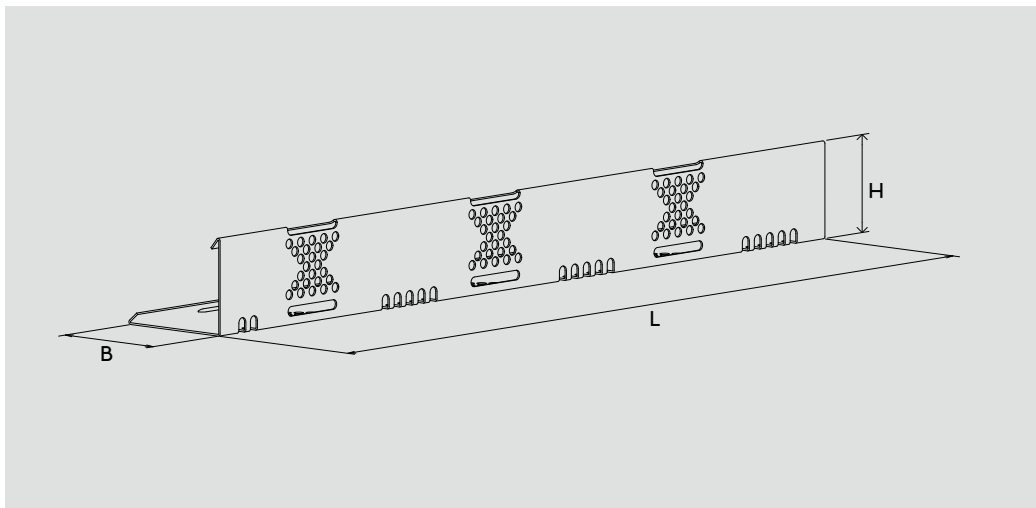
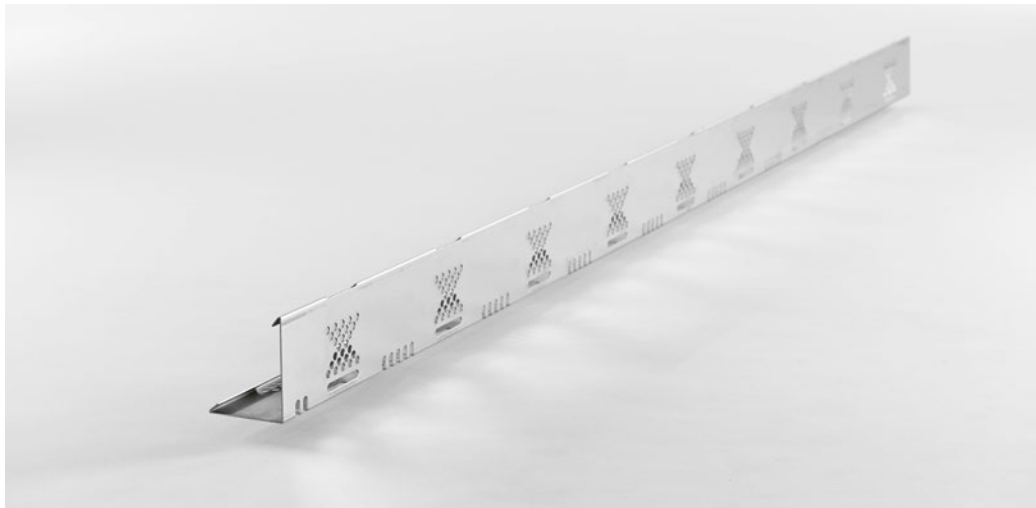
Thickness

0.8 mm

Length

2 running metres/unit, including stainlesssteel rail connector

Can be used with single-ply membranes or bitumen sheeting. The rail is fixed with membrane strips or hot air/gas torch (with bitumen).



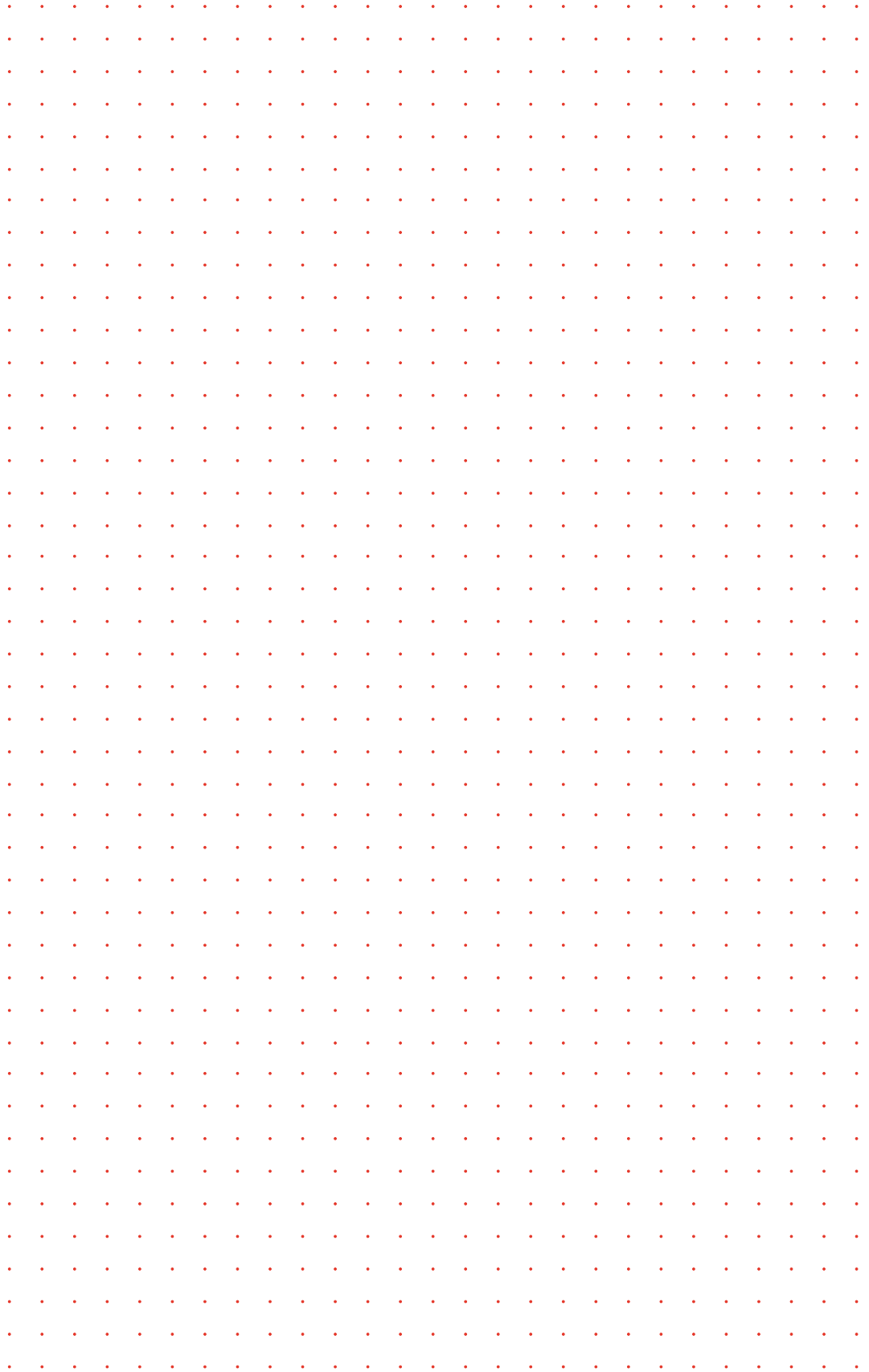
WG 315 ←

Type

Universal Paving Border Rail

Product No.

324-V80-100



b/s/t PVC Liquid PVC Paste

Specification ← Dangerous good*
UN 2056, tetrahydrofuran stabilised,
class 3, II, (D/E)

Please pay attention to the safety instructions on the product sticker and in the product safety document.

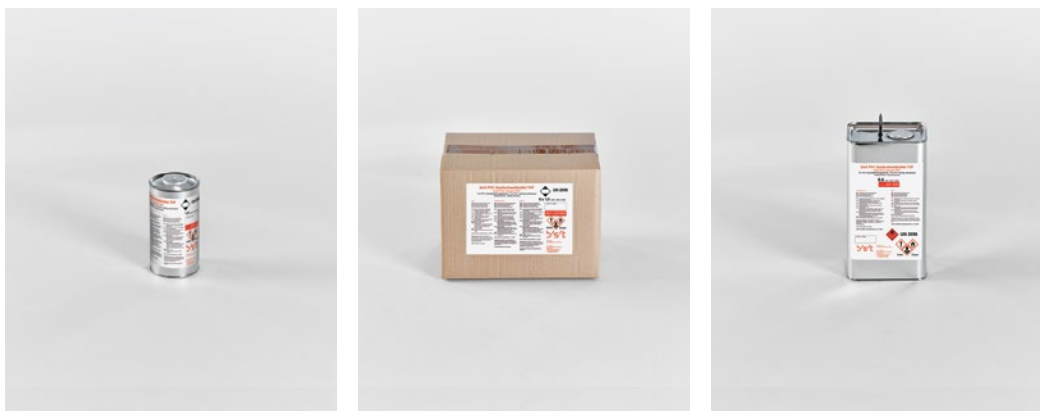


| WG 411 ← Type | Product No. | Colour |
|-----------------|--------------|------------|
| 1 l can | 411-LQ1 | light grey |
| 6 x 1 l can/box | 411-LQ1VE6 | light grey |
| 5 l canister | 411-K05 | light grey |
| 1 l can | 411-LQ1.2 | anthracite |
| 6 x 1 l can/box | 411-LQ1VE6.2 | anthracite |
| 5 l canister | 411-K05.2 | anthracite |

b/s/t Welding Solvent THF

Specification ← Dangerous good*
UN 2056, tetrahydrofuran stabilised,
class 3, II, (D/E)

Please pay attention to the safety instructions on the product sticker and in the product safety document.



| WG 414 ← Type | Product No. |
|-----------------|-------------|
| 1 l can | 421-LQ1 |
| 6 x 1 l can/box | 421-LQ1VE6 |
| 5 l canister | 421-K05 |
| 200 l barrel | 421-200 |

* Dangerous goods and Gravel Bonding Adhesive cannot be returned.
Status: 03/22 b/s/t GmbH Koch Kunststofftechnologie reserves the right to make technical modifications.

b/s/t Gravel Bonding Adhesive

Specification ← Dispersion basis, colourless

Protect against frost!*

Please use product data sheet for handling instructions.



| WG 4992 ← Type | Product No. |
|----------------|-------------|
| 5 kg canister | 232-K05 |
| 33 kg canister | 232-K33 |

b/s/t PVC Cleaner

For PVC roofing membranes

Dangerous good*
UN 1993, flammable liquid, N.A.G.,
class 3, II (D/E)

Please follow the safety instructions on the product sticker and on the safety data sheet.



| WG 413 ← Type | Product No. |
|---------------|-------------|
| 5 l canister | 223-K05 |

* Dangerous goods and Gravel Bonding Adhesive cannot be returned.
Status: 03/22 b/s/t GmbH Koch Kunststofftechnologie reserves the right to make technical modifications.

b/s/t Welding Brush

Specification ← Width
40 mm

With PE 500 ml bottle



| | | |
|-----------|--------|-------------|
| WG 4993 ← | Type | Product No. |
| | 500 ml | 252-F50 |

b/s/t Wash Bottle PE

Specification ← For liquid PVC paste

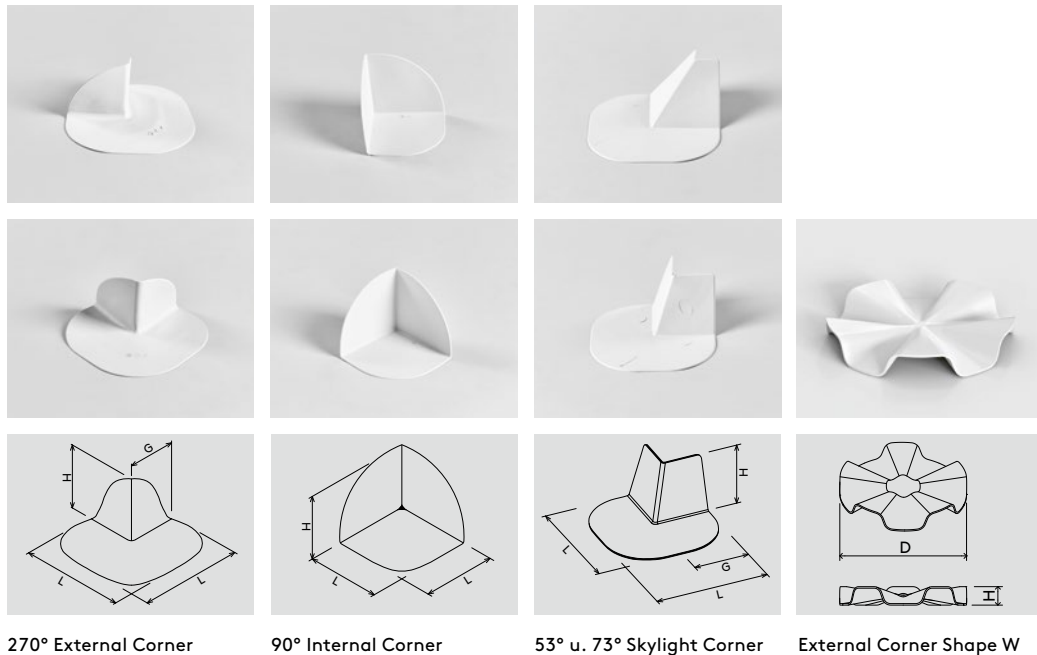


| | | |
|-----------|--------|-------------|
| WG 4993 ← | Type | Product No. |
| | 500 ml | 251-500 |

b/s/t PVC Internal Corner 90°
 b/s/t PVC External Corner 270°
 b/s/t PVC Skylight Corner 53°/73°
 b/s/t PVC External Corner Shape W

Specification ← Material
 PVC-P, UV-stabilised

Pack size
 25 units/box



270° External Corner

90° Internal Corner

53° u. 73° Skylight Corner

External Corner Shape W

WG 4991 ←

| Type | Product No. | Material Thickness [mm] | L [mm] | H [mm] | G [mm] | Inclination | D Ø [mm] | Colour |
|-----------------------------|--------------|-------------------------|--------|--------|--------|-------------|----------|------------|
| PVC Internal Corner 90° | 241-101001 | 1.50 | 90.0 | 80 | - | - | - | light grey |
| PVC External Corner 270° | 242-101001 | 1.50 | 155.0 | 75 | 75 | - | - | light grey |
| PVC Skylight Corner 53° | 242-201001 | 2.00 | 167.5 | 75 | 90 | 53° | - | light grey |
| PVC Skylight Corner 73° | 242-201002 | 2.00 | 155.0 | 75 | 77.5 | 73° | - | light grey |
| PVC External Corner Shape W | 243-101001 | 1.8 | - | 20 | - | - | 150 | light grey |
| PVC Internal Corner 90° | 241-101001.2 | 1.50 | 90.0 | 80 | - | - | - | anthracite |
| PVC External Corner 270° | 242-101001.2 | 1.50 | 155.0 | 75 | 75 | - | - | anthracite |
| PVC Skylight Corner 53° | 242-201001.2 | 2.00 | 167.5 | 75 | 90 | 53° | - | anthracite |
| PVC Skylight Corner 73° | 242-201002.2 | 2.00 | 155.0 | 75 | 77.5 | 73° | - | anthracite |
| PVC External Corner Shape W | 243-101001.2 | 1.8 | - | 20 | - | - | 150 | anthracite |

b/s/t Butyl Tape DS

Specification ← Material
 Double-sided adhesive tape
 For PE foils, moisture barriers etc.

Colour black
Thickness 1.5 mm
Roll length 30 running metres
Pack size 18 rolls / box

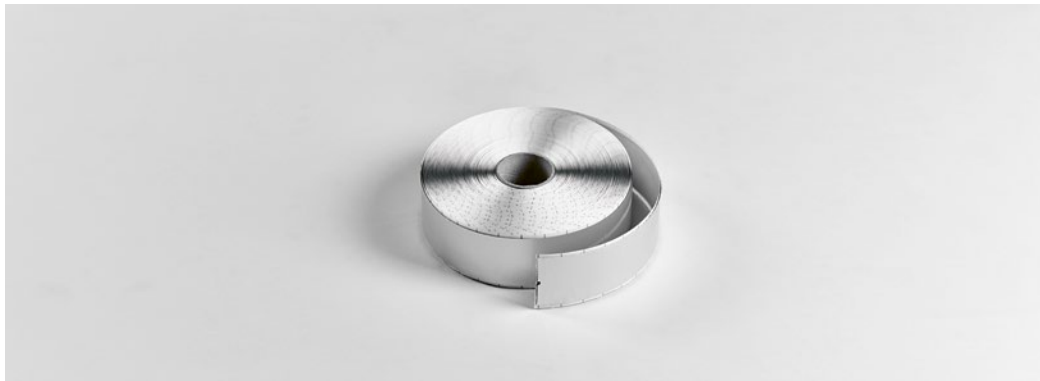


| WG 4994 ← | Type | Product No. |
|-----------|-------|-------------|
| | 15 mm | 261-015 |

b/s/t Aluminium / Butyl Tape

Specification ← Material
 Universal sealing tape coated with aluminium foil
 High adhesive strength, tearproof
Thickness 0.8 mm

Roll length 10 running metres
Pack size
 50 mm: 20 rolls / box
 75/100 mm: 10 rolls / box
 (further types on request*)



| WG 4994 ← | Type | Product No. |
|-----------|--------|-------------|
| | 50 mm | 262-050 |
| | 75 mm | 262-075 |
| | 100 mm | 262-100 |

* Custom-made products cannot be returned.
 Status: 03/22 b/s/t GmbH Koch Kunststofftechnologie reserves the right to make technical modifications.

b/s/t Fax Form if required please copy
No.: +49 (0)8051 69 09 79

o Order

o Enquiry

| | |
|---|--|
| Sender _____ | Customer No. _____ |
| _____ | Contact Person _____ |
| _____ | Phone No. _____ |
| _____ | Order No. _____ |
| Delivery Address _____ (if differing from billing address) | Order Date _____ |
| _____ | Contact Person _____ (Delivery Address) |
| _____ | Phone No. _____ (Delivery Address) |
| _____ | E-Mail _____ |

Order _____

Please choose the required membrane flange for mounting parts (see page 158 – 159).

| Number | Product No. | Description/Type | Membrane Flange | Price (net) |
|--------|-------------|------------------|-----------------|-------------|
| | | | | |
| | | | | |
| | | | | |
| | | | | |
| | | | | |
| | | | | |
| | | | | |
| | | | | |
| | | | | |
| | | | | |

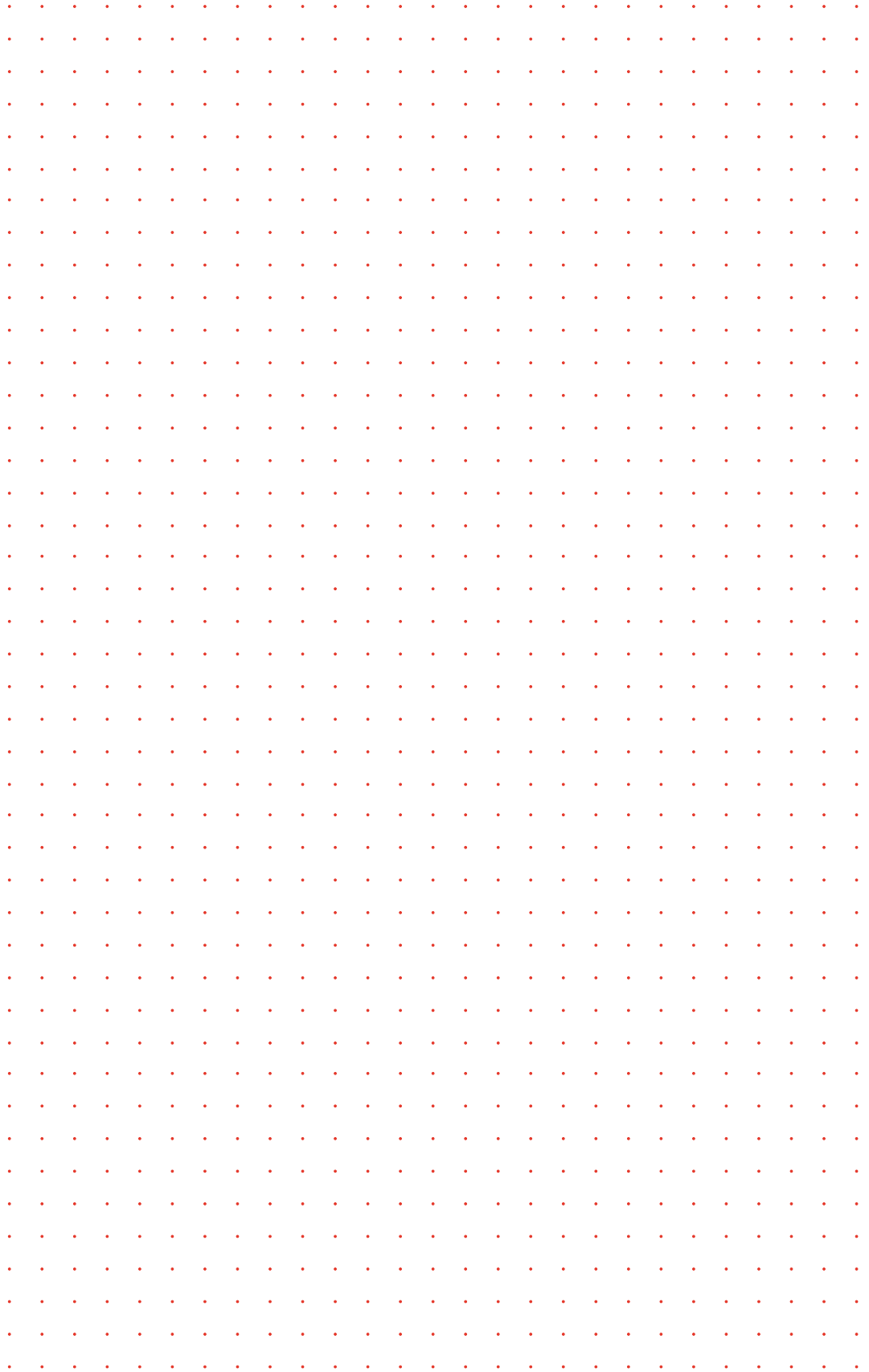
Total amount (net) _____
For order value below €300.00: Minimum quantity surcharge of €25.00 for small orders

Fixed date delivery on* _____
(only with freight carrier) Extra freight charges are brought to account

| | |
|---|---|
| Express options* Express surcharges will be invoiced and on the invoice shown separately. | o to 12.00 noon o in the course of the day |
|---|---|

Our terms of sale, delivery and payment apply in the latest version. No right of return for custom-made products.

Date, Name of buyer in block letters, signature



Membrane Flanges for b/s/t PVC and ALIT Mounting Parts

| Manufacturer | Product | Basic | Material thickness |
|--|----------------------------|-------|--------------------|
| Alwitra GmbH & Co. | Evalon grey | EVA | 1.5 mm |
| | Evalon white* | EVA | 1.5 mm |
| | Evalon slate grey* | EVA | 1.5 mm |
| Bauder GmbH & Co. KG | Thermofol D light grey | PVC | 1.8 mm |
| | Thermofol D anthracite* | PVC | 1.8 mm |
| | Thermofol D blue grey* | PVC | 1.8 mm |
| BMI Wolfen Bautechnik GmbH | Cosmofin D light grey* | PVC | 1.5 mm |
| | Tectofin R grey* | PVC | 1.5 mm |
| | Tectofin R titanium grey* | PVC | 1.5 mm |
| | Wolfen IB black* | PVC | 1.5 mm |
| FDT Flachdachtechnologie GmbH & Co. KG | Rhenofol C light grey | PVC | 1.5 mm |
| | Rhenofol C anthracite* | PVC | 1.5 mm |
| Georg Börner GmbH & Co. KG | Logicroof V-SR light grey* | PVC | 1.5 mm |
| Icopal Synthetic Membranes | Monarplan D silvergry* | PVC | 1.5 mm |
| | Monarplan D anthracite* | PVC | 1.5 mm |
| Renolit AG | Alkorplan D light grey* | PVC | 1.5 mm |
| | Alkortec D slate grey* | EVA | 1.5 mm |
| Sika Deutschland GmbH | Sikaplan S light grey | PVC | 1.5 mm |
| | Sikaplan S anthracite* | PVC | 1.5 mm |
| | Sikaplan SgmA beige* | PVC | 1.5 mm |
| Soprema GmbH | Flagon S light grey* | PVC | 1.5 mm |
| VAEplan GmbH | VAEplan Typ F grey | VAE | 1.5 mm |
| | VAEplan Typ F white* | VAE | 1.5 mm |

* Custom-made products cannot be returned.

Status: 03/22 b/s/t GmbH Koch Kunststofftechnologie reserves the right to make technical modifications.

Membrane Flanges for b/s/t PP/PE and ALIT Mounting Parts

| Manufacturer | Product | Basic | Material thickness |
|--|---|-------|--------------------|
| Alwitra GmbH & Co. | Evalastic grey* | EPDM | 1.5 mm |
| | Evalastic silvergrey* | EPDM | 1.5 mm |
| Bauder GmbH & Co. KG | Thermoplan TL silvergrey* / FPO | PP | 1.8 mm |
| | Thermoplan TL pearl white* / FPO | PP | 1.8 mm |
| BMI Wolfen Bautechnik GmbH | TPO Everguard light grey* | PP | 1.5 mm |
| Carlisle Construction Materials GmbH | Resitrix SK W black* | EPDM | 2.5 mm |
| | Hertalan Easy Weld black* | EPDM | 1.7 mm |
| Saar Gummi Construction GmbH | Novoproof black with full thermofast coating* | EPDM | 1.3 mm |
| FDT Flachdachtechnologie GmbH & Co. KG | Rhepanol HG 15 grey* | PIB | 1.5 mm |
| Firestone Building Products | UltraPly grey* / FPO | PP | 1.5 mm |
| | FS Quickseam SA Flashing black* | EPDM | 1.5 mm |
| Imper Italia Srl | Sintofoil RG light grey* | PP | 1.5 mm |
| Köster Bauchemie AG | Köster TPO 2.0 U light grey* | PE | 2.0 mm |
| Mapei GmbH | Mapeplan TD 15 traffic white* / FPO | PP | 1.5 mm |
| Polyfin AG | Polyfin 1020 light grey* / FPO | PE | 2.0 mm |
| Renolit AG | Alkortop D light grey* / FPO | PP | 1.5 mm |
| Schedetal Folien GmbH | ExtruPol M light grey* / FPO | PE | 2.0 mm |
| Sika Deutschland GmbH | Sarnafil T 66 D beige* / FPO | PP | 1.5 mm |
| | Sarnafil T 66 D window grey* / FPO | PP | 1.5 mm |
| Soprema GmbH | Flagon EP-S sandgrau* / FPO | PP | 1.5 mm |

* Custom-made products cannot be returned.

Status: 03/22 b/s/t GmbH Koch Kunststofftechnologie reserves the right to make technical modifications.

1. GENERAL SCOPE OF APPLICATION

- a) The present general terms and conditions of sale and delivery shall apply to all our business relations with our customers (hereinafter referred to as "purchasers" or "purchaser"). The terms and conditions of sale and delivery shall apply only to a purchaser, being an official businessman/contractor/entrepreneur (§ 14 of the German Civil Code, hereinafter referred to as "BGB") or a corporate body of public law or a separate estate under public law.
- b) Our terms and conditions of sale and delivery shall be applicable exclusively. We do not acknowledge contradictory conditions or conditions deviating from our terms and conditions of sale and delivery unless we explicitly agree to their validity in writing. The terms and conditions of sale and delivery shall also be applicable if we deliver goods to the purchaser knowing the contradictory or deviating conditions.
- c) The terms and conditions of sale and delivery shall also be applicable to all future transactions with the purchaser.

2. CONCLUSION OF A CONTRACT

- a) If the order qualifies as an offer as defined under § 145 BGB, we can accept this offer within 14 days with a confirmation as defined under lit. b).
- b) The sales contract shall come about only through our written confirmation of the order. Our invoice shall also be applicable as order confirmation if no written order confirmation has been submitted previously.

3. OFFERS AND PRICES

- a) Unless otherwise explicitly agreed upon for individual cases in writing, our offers are provisional and not binding. Our prices, valid on the day of delivery, shall be applicable if prices have not been agreed upon while concluding the contract.
- b) Documents like figures, drawings, weight and dimension specifications relevant to our offer must be considered only as approximate. They do not represent any agreed characteristics, guarantees or agreed qualities within the meaning of §§ 434(1) 1, 633(2) 1 BGB.
- c) We reserve all rights to property and copyright of cost estimates, drawings and other documents. These should not be accessible to any third party. These must be returned immediately at the cost of the purchaser if a contract is not formed.
- d) Our prices shall be applicable ex works, exclusive of customs duty, additional import duty plus the statutory turnover tax.
- e) A minimum quantity surcharge of €25.00 shall be calculated for orders of goods below €300.00 (exclusive of the statutory turnover tax).
- f) If a delivery takes place only four months after contract conclusion for reasons within the purchaser's control, we shall reserve the right to an increase in price in case our purchase prices increase or the fabrication or the sales and marketing costs increase due to circumstances that are not under our control.

4. DELIVERY, DELAYED DELIVERY OR ACCEPTANCE, PASSING THE RISK

- a) Delivery time or deadlines shall be binding to us only if we have confirmed it in writing and if the necessary approvals or documents are available and all technical queries have been clarified. The time is extended by an appropriate period if this is not done. The delivery deadline is considered as met if the delivery goods have left the warehouse before the expiry of this date or if the purchaser has been informed of its readiness for shipment status. Contracts where time is of the essence shall not be concluded.
- b) We shall always and without specifying any reasons be authorised to demand payment for a delivery step by step or make the delivery dependent on advance payment, irrespective of other rights.
- c) In case of force majeure, we shall be entitled to postpone the delivery for the duration of the hindrance and an appropriate start-up period or withdraw entirely or partially due to the unfulfilled part of the contract. Force majeure acts could also be strikes, lockouts or unforeseeable and unavoidable circumstances that do not allow us to meet delivery deadlines despite efforts within reason. We must give proof for the same.
- d) If we have agreed upon with the purchaser in writing that we shall deliver the goods on his/her call, the purchaser must call the total goods within 6 months after contract conclusion.
- e) If the purchaser causes default in acceptance or culpably violates other cooperation obligations, for instance the recalling obligation as per lit. d), then we shall be entitled to demand reimbursement for the damages occurred as far as that is concerned, including any extra costs. The due date for demanding the purchase price in this case is the date on which the ready for shipment status is informed. Further claims shall remain unaffected.
- f) The risk of incidental downfall or incidental deterioration of the purchased product shall be passed over to the purchaser, when he or she is subject to acceptance or debtor's default, provided that the conditions in lit. e) exist.
- g) The risk shall be passed to the purchaser at the latest with the transfer of goods to the forwarding agent or carrier and also if the goods are being transported by our employees or in case of part deliveries.
- h) Part deliveries are permissible, provided that they are reasonable for the receiver. Part deliveries shall be reasonable if they amount to 30 % or more of the respective total delivery.

5. PAYMENT AND DELAY IN PAYMENT

- a) Payments should be made within 10 days with 3 % cash discount or within 30 days without any deduction, in each case after issuing the invoice, unless otherwise agreed upon in writing.
- b) We shall be entitled to calculate the amount for interest on arrears at the statutory rate if the payment deadline is exceeded. All granted cash discounts shall be inapplicable in this case.
- c) We shall be entitled to demand immediate payment of all pending invoices and cancel the granted credit period if the purchaser delays the payment of the invoice amount or the purchaser's ability to pay becomes doubtful or his or her inability to pay becomes known.
- d) In case of bank credits, the purchaser shall bear all the arising expenses and costs excluding the credit operation fees charged by the German banks.
- e) The purchaser may only set off with claims that are undisputed or have been established as final or absolute. Offsetting with claims other than undisputed claims or claims that have been established as final or absolute shall only be possible with our consent. This shall also be applicable for the assertion of a right of retention.
- f) In case of non-acceptance of ordered goods, we shall be entitled to demand 15% of the goods value for costs already incurred by us. We shall allow the purchaser to prove that the damage caused to us is lesser than this lump sum amount or no damage has been caused.

6. RETENTION OF TITLE

- a) The delivered goods shall continue to be our property until complete payment of all our present and future claims which are made during the contractual relationship with the purchaser.
- b) The purchaser must immediately inform us about any seizures or other interventions by a third party in writing, so that we can file a suit as per § 771 of the German Code of Civil Procedure (hereinafter referred to as "ZPO"). The purchaser shall be responsible for the loss incurred by us if the third party is not in a position to reimburse the legal and out-of-court expenses for the suit as per § 771 ZPO.
- c) The purchaser shall be entitled to resell the purchased product in the ordinary course of business. However, he/she shall assign to us already now all claims in the amount of the final invoice amount (including statutory turnover tax) of our

claim which accrue to him/her from the resale to his/her customer or a third party, irrespective of whether the purchased product has been resold without or after processing. The purchaser shall be authorised to collect this payment claim even after cession. Our authority to collect the payment remains unaffected by this. We shall however commit ourselves not to collect the payment as long as the purchaser fulfils his/her payment liabilities, does not delay the payment and particularly if no application for adjudication of insolvency proceedings has been filed or payments have not been ceded. In such a case, we can demand that the purchaser discloses the assigned claims and the respective debtors provides us with all information necessary for collection, hands over the relevant documents and informs the debtors (third parties) of the assignment.

- d) The processing or remodelling of the purchased product shall always be carried out by the purchaser on our behalf. If the purchased product is processed using articles that do not belong to us, then we shall acquire joint ownership of the new product in the ratio of the purchased product value (final invoicing amount, including statutory turnover tax) to the other processed articles at the time of processing. Apart from this, for the product being created through processing the same shall apply as for the goods subject to retention of title.
- e) If the purchased product is mixed inseparably with other articles that do not belong to us, then we shall acquire joint ownership of the new product in the ratio of the purchased part value (final invoice amount, including statutory turnover tax) to the other mixed articles at the time of mixing. If it is mixed in such a manner that the product of the purchaser is to be considered as the main product, then it is agreed upon that the purchaser shall transfer the joint ownership rights to us on a pro rata basis. The purchaser shall safeguard such sole or joint ownership for us.
- f) We shall commit ourselves to release our securities on the demand of the purchaser insofar as the realisable value of our securities exceeds the claims to be secured by more than 10 %; the selection of the securities to be released is incumbent on us.

7. EXCHANGE

Standard products may be exchanged within 10 working days after their receipt, provided that they are unused and free of defects, we have been informed about the exchange in writing along with the reasons and the return is reasonable to us. The purchase price is credited to the purchaser against the return of the undamaged goods after deducting the incurred freight charges and 15 % of the list price as processing fees. The purchaser shall bear the cost and risk of return transport. Custom-made products cannot be exchanged.

8. LIABILITY

- a) Defect claims of the purchaser assume that the purchase has fulfilled his/her obligations of examination and notification of defects as per § 377 of the German Commercial Code (hereinafter referred to as "HGB") within seven days of receipt of the goods. This shall only be applicable if the transaction is a commercial transaction for the purchaser. The timely dispatch shall be sufficient for observance of the deadline. The same shall apply to later detected hidden defects as of the time of their discovery. In the event the obligation to inspect and give notice of defects is violated, the assertion of any warranty claims shall be excluded.
- b) If there is a material defect in the product, we shall be entitled to choose whether to remedy the defect or to supply a defect-free product (supplementary performance). If one of the types of this supplementary performance is impossible or unreasonable, we shall be entitled to refuse it. We may also refuse subsequent performance as long as the purchaser does not fulfil his/her payment obligation for the defect-free part towards us.
- c) If supplementary performance is not possible or fails, then the purchaser shall have the option to either reduce the purchase price or withdraw from the contract pursuant to the statutory provisions.
- d) Unless otherwise specified under lit. e), other purchaser claims – irrespective of what legal reasons – are excluded. This is in particular applicable for claims for damages beyond the purchased product as well as for lost profits and for claims that are not related to defective goods.
- e) The exclusion of liability under lit. d) is inapplicable, provided that an exclusion or a restriction of the liability for damages due to loss of life, physical or health injuries has been agreed upon based on deliberate or negligent breach of duty of a legal representative or vicarious agent of the user. The exclusion of liability shall also be inapplicable, provided that exclusion or restriction of liability for other damages has been agreed upon based on a deliberate or grossly negligent breach of duty by the user or a deliberate or grossly negligent breach of duty by the legal representative or vicarious agent of the user. If we violate a material contractual obligation culpably, the liability shall not be excluded, but restricted to the predictable damages typical for the contract. It is otherwise excluded as per the provisions specified under lit. d). The exclusion of liability is also inapplicable in case of a guarantee and warranted quality if a defect covered thereby gives rise to our liability. The above conditions are applicable, mutatis mutandis, in case of cost reimbursement.
- f) To the extent permissible, the limitation period for defect claims shall be one year and shall commence with the delivery of the goods to the purchaser. The one-year warranty period shall not be applicable to damages culpably caused and attributable to us arising from any injury to the life, body or health of an individual, and/or damages caused intentionally or with gross negligence or malice on our part, or rights of recourse in accordance with §§ 478, 479 BGB. For the rest, the statutory warranty periods shall apply.
- g) As long as we advise our customers as regards the technical application, we do so to the best of our knowledge and belief, however we shall not undertake any liability for the same. The advice does not exempt the purchaser from the obligation to check our products for their suitability for the intended use at his/her own risk.

9. PROTECTION RIGHTS OF A THIRD PARTY

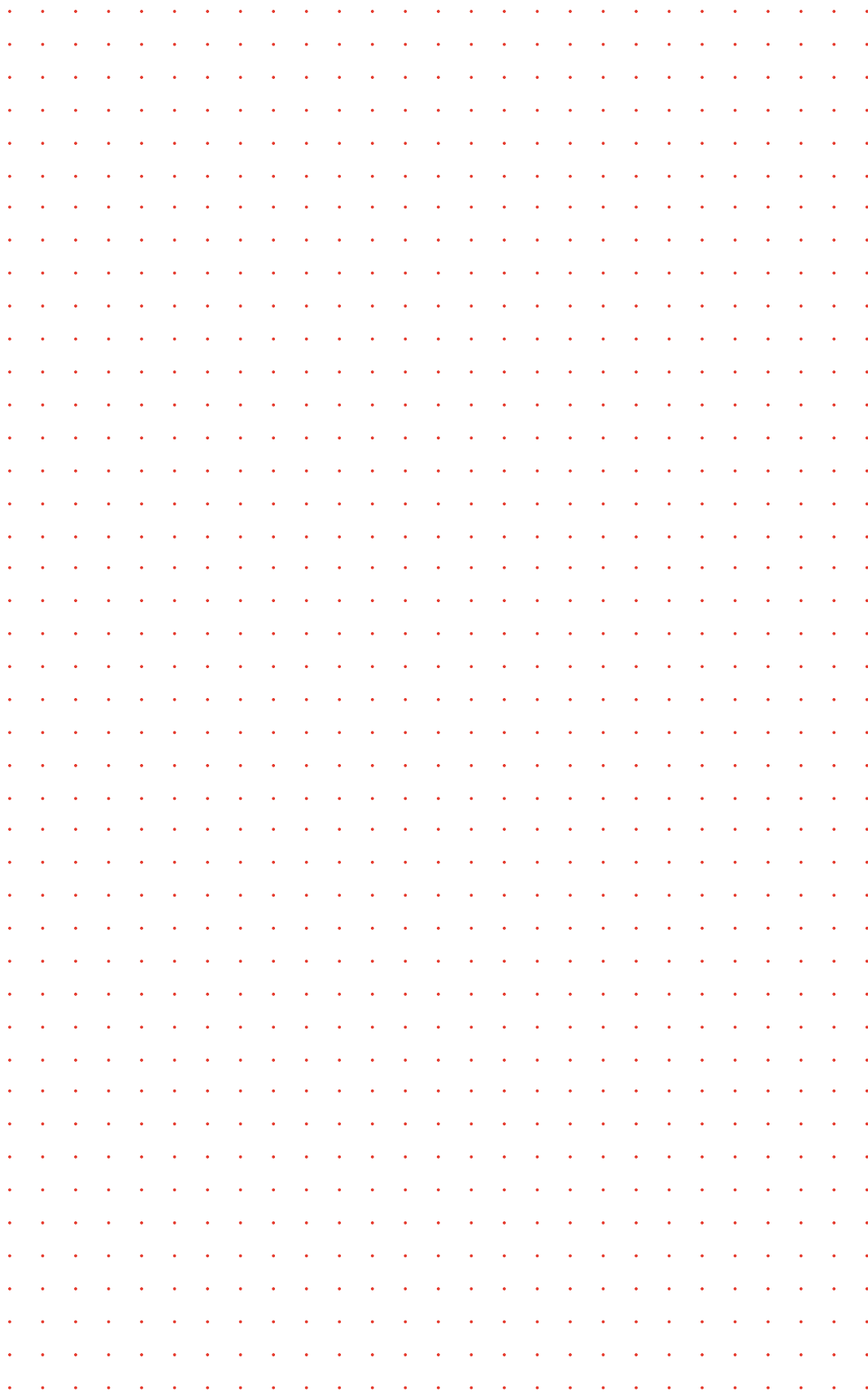
In case of custom-made products as per the requests or specifications of the purchaser, the purchaser shall be responsible for the fact that the working drawings provided by him/her do not infringe the rights of third parties and the implementation does not violate any copyrights, industrial property rights or other rights of a third party. If claims are made against us due to any violation of such rights, the purchaser must indemnify us from any and all claims in this respect.

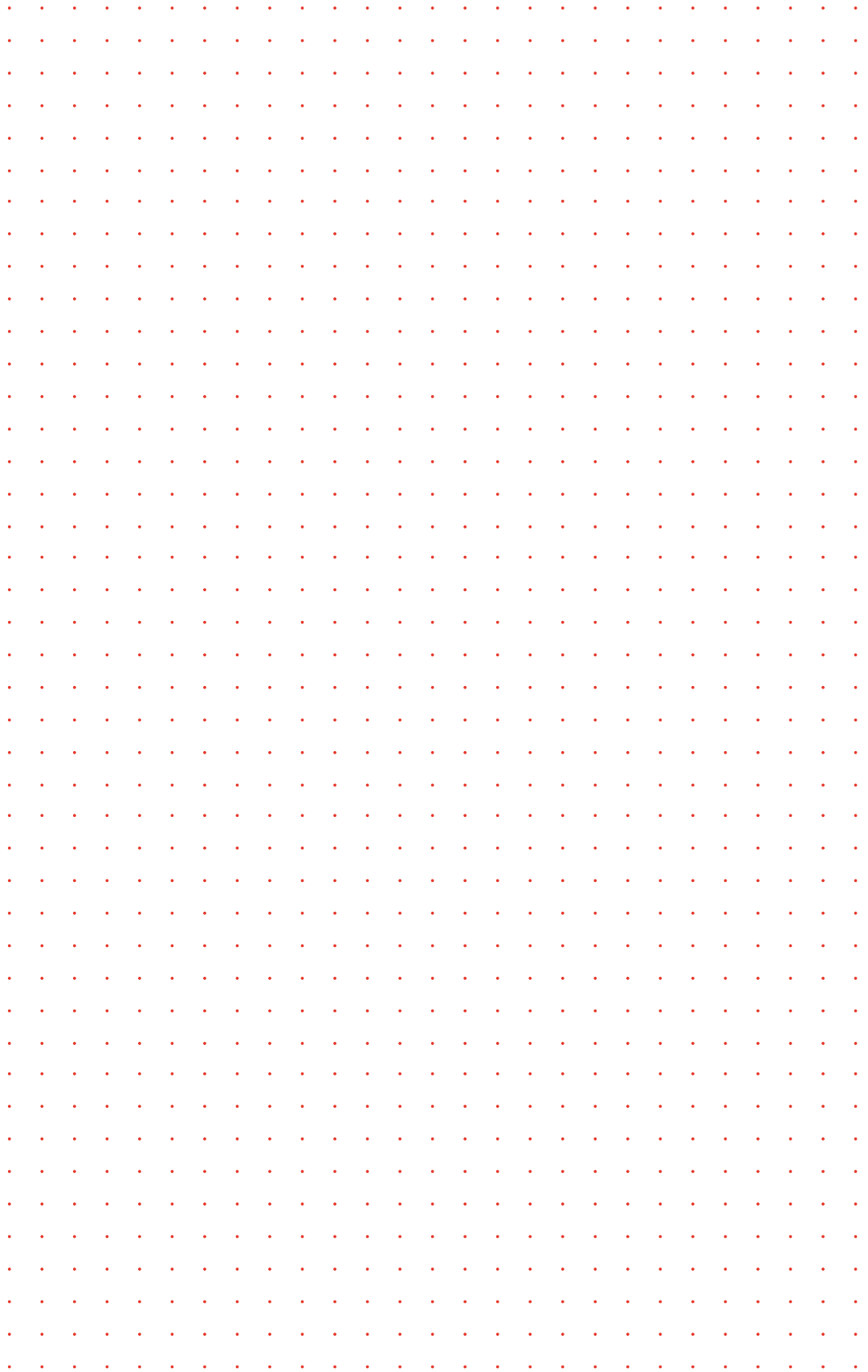
10. PLACE OF PERFORMANCE, JURISDICTION AND GOVERNING LAW

- a) The place of performance is Rimsting.
- b) If the purchaser is an entrepreneur, then the place of jurisdiction for all, present and future, claims from the business relationship including currency exchange and cheques shall be Rosenheim as per our choice or the registered office of the purchaser.
- c) The same place of jurisdiction is applicable for an entrepreneur if the purchaser does not have a general domestic jurisdiction or has shifted his/her domicile or usual place of residence out of the country after conclusion of the contract.

11. MISCELLANEOUS

Should individual provisions of this agreement be or become invalid, the validity of the remaining provisions shall not be affected thereby. The invalid provision shall be replaced with a valid provision coming closest to the economic intent of the invalid or impracticable provision. The foregoing provision shall apply, mutatis mutandis, in the event of any contractual gaps.





Contact

b/s/t

b/s/t GmbH
Koch Kunststofftechnologie
Nordstraße 1
83253 Rimsting/Chiemsee
Germany

Phone +49 (0)8051 69 09 70
Fax +49 (0)8051 69 09 79
Web www.bst-gmbh.de
E-Mail info@bst-gmbh.de