

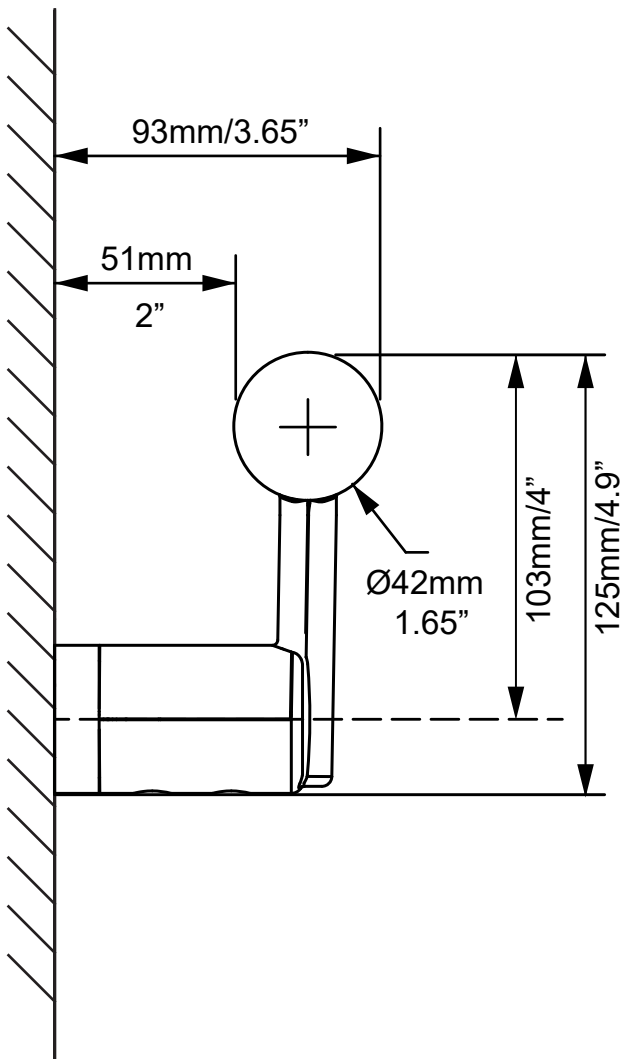
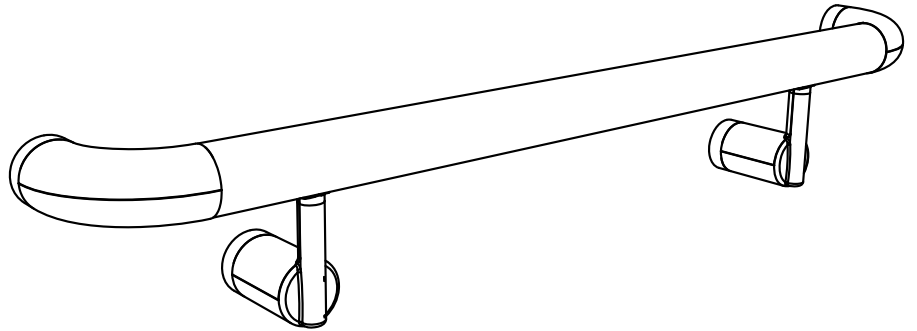
## Specifications

### Code compliance

ICC (International Code Council) AC273  
 IBC (International Building Code)  
 IRC (International Residential Code)  
 ADA (Americans with Disabilities Act)  
 National Building Code of Canada

### Load bearing per ICC AC273

Uniform load: 227 kg / 500 lbs  
 Concentrated load: 227 kg / 500 lbs



### Railing

Extruded aluminum, rib reinforced  
 Diameter: 42mm/1.65"  
 Nominal wall thickness: 2mm/0.08"  
 Anodized finish: 18 microns  
 Wood-wrapped finish: Real wood, 0.4mm/0.015",  
 with UV-cured polyurethane coating.

### Brackets

Die cast zinc with rounded corners and polyester or polyester-urethane powder-coated finish.

### Endcaps

Die cast zinc with rounded corners and polyester or polyester-urethane powder-coated finish. Flush-fit or 90-degree ADA wall return.

### Vinyl insert

Flexible PVC  
 Anti-slip and anti-bacterial.  
 Black or champagne colour.

### Maintenance

Cleaning: Use soap and water. Mild abrasives may be employed on anodized handrail finish to remove scuff marks.

Disinfection: Use bleach or hydrogen peroxide with maximum concentration 0.6%.