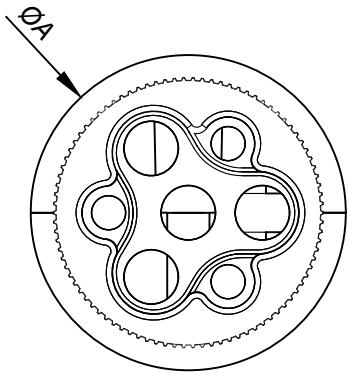
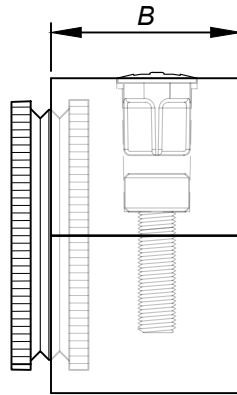


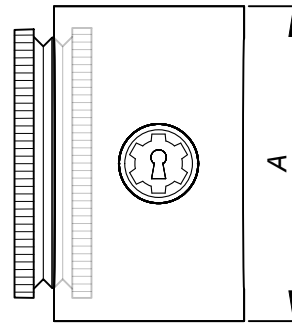
C00 - Collar, Sprocketlock



Front View



Side View



Top View



Assembled View

Parts Table		
Qty	Code	Name
1	813	Collar 1
1	814	Collar 2
1	A04	Plug, Sprocketlock
1	F05Z	M5 0.8 x 16mm Socket, Cap Screw
1	T80	Sprocket

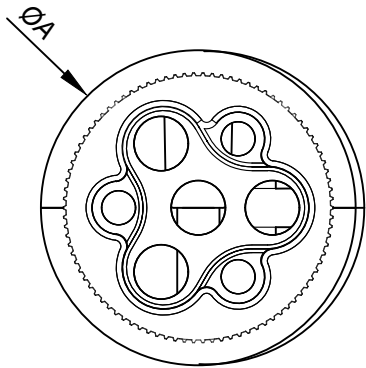
Dimension Table		
Dimension	A	B
Inches	1.65	0.98
Millimetres	42	25



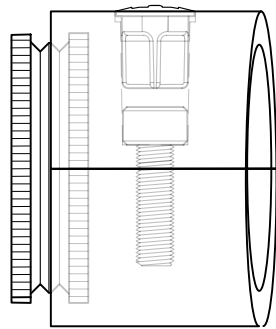
Disassembled View

Note: All scales at 1:1 when printed on 8.5 x 11" unless otherwise stated

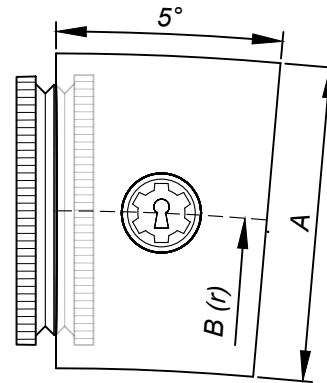
C05 - Bend, Sprocketlock, 5-Degree



Front View



Side View



Top View



Assembled View

Parts Table		
Qty	Code	Name
1	815	5-Degree Bend 1
1	817	5-Degree Bend 2
1	A04	Plug, Sprocketlock
1	F05Z	M5 0.8 x 16mm Socket, Cap Screw
1	T80	Sprocket

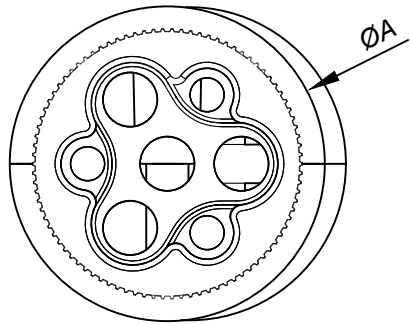
Dimension Table		
Dimension	A	B
Inches	1.65	12.72
Millimetres	42	323



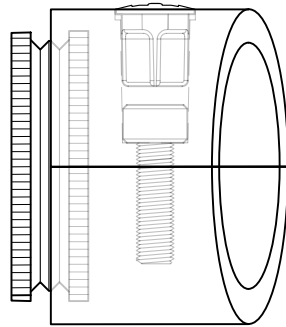
Disassembled View

Note: All scales at 1:1 when printed on 8.5 x 11" unless otherwise stated

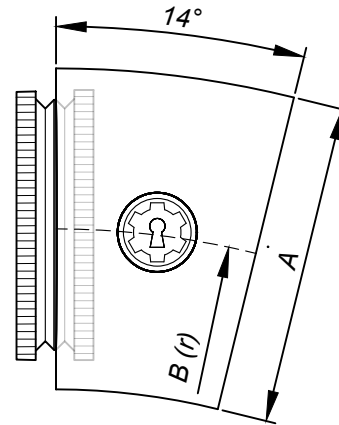
C14 - Bend, Sprocketlock, 14-Degree



Front View



Side View



Top View



Assembled View

Parts Table		
Qty	Code	Name
1	817	14-Degree Bend 1
1	818	14-Degree Bend 2
1	A04	Plug, Sprocketlock
1	F05Z	M5 0.8 x 16mm Socket, Cap Screw
1	T80	Sprocket

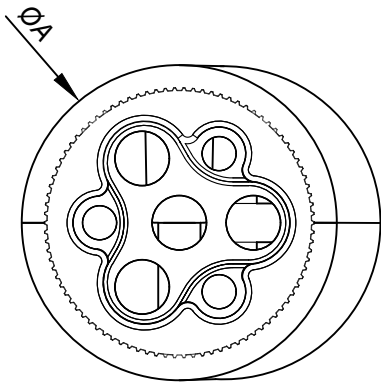
Dimension Table		
Dimension	A	B
Inches	1.65	4.37
Millimetres	42	111



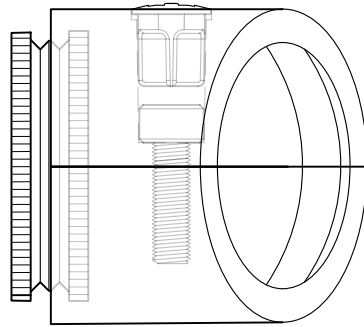
Disassembled View

Note: All scales at 1:1 when printed on 8.5 x 11" unless otherwise stated

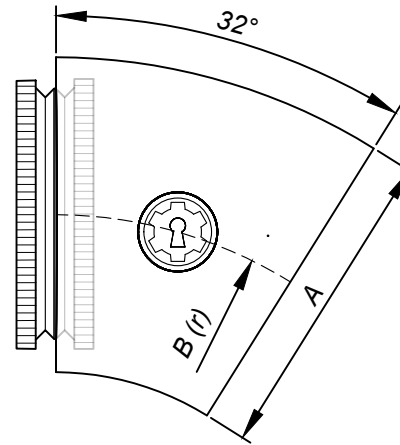
C32 - Bend, Sprocketlock, 32-Degree



Front View



Side View



Top View



Assembled View

Parts Table		
Qty	Code	Name
1	819	32-Degree Bend 1
1	820	32-Degree Bend 2
1	A04	Plug, Sprocketlock
1	F05Z	M5 0.8 x 16mm Socket, Cap Screw
1	T80	Sprocket

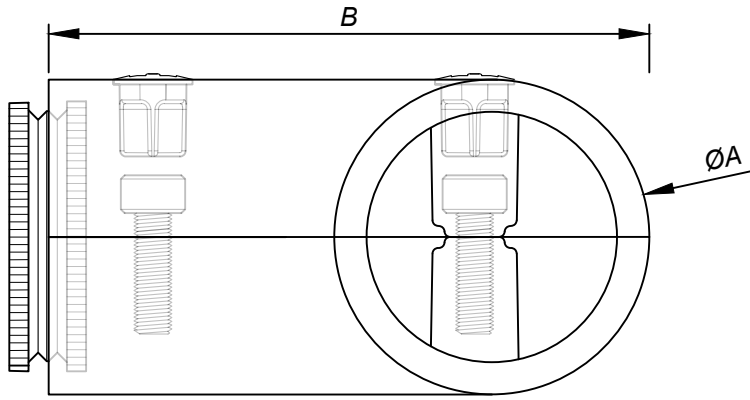
Dimension Table		
Dimension	A	B
Inches	1.65	2.32
Millimetres	42	59



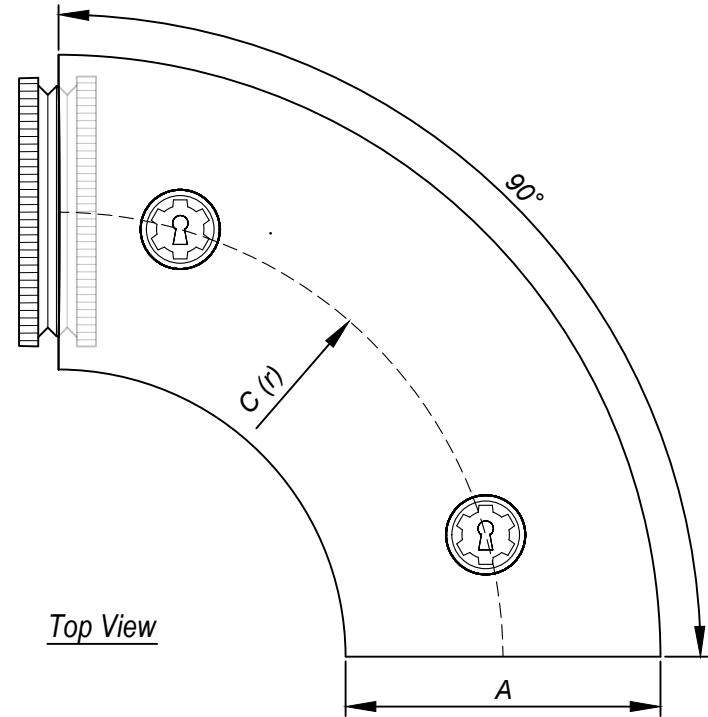
Disassembled View

Note: All scales at 1:1 when printed on 8.5 x 11" unless otherwise stated

C90 - Bend, Sprocketlock, 90-Degree



Front View



Top View



Disassembled View



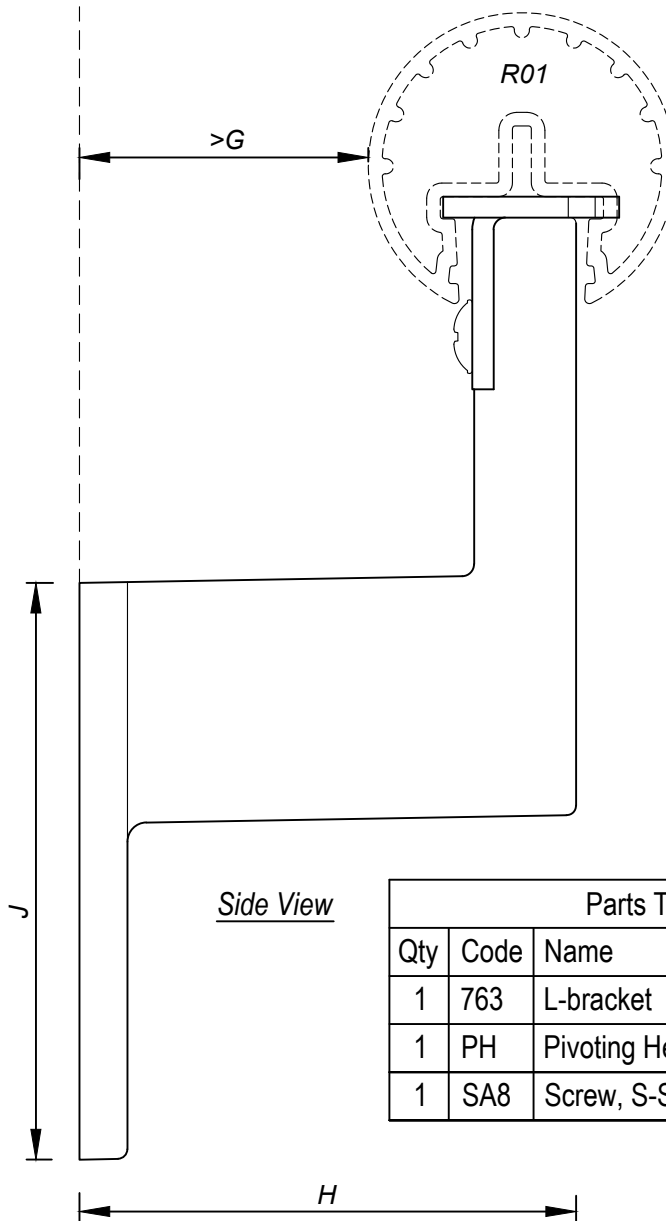
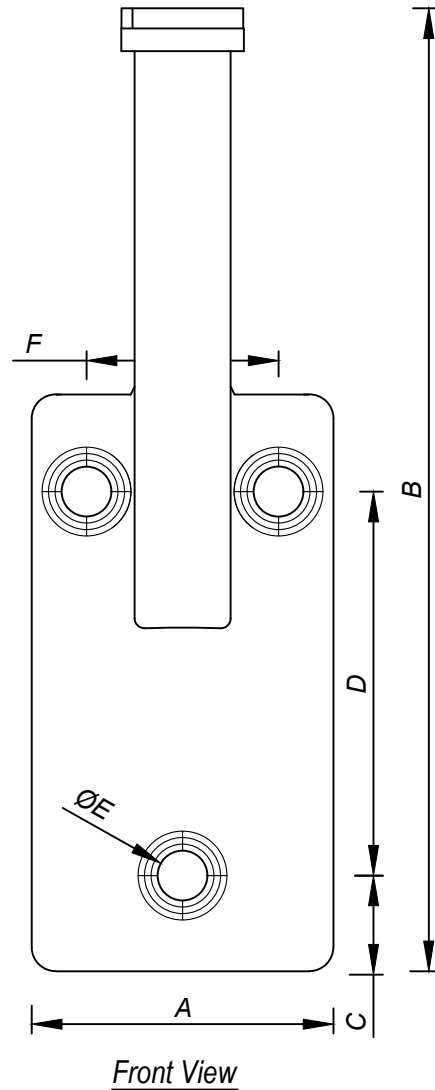
Assembled View

Dimension	A	B	C
Inches	1.65	3.15	2.32
Millimetres	42	80	59

Qty	Code	Name
1	821	90-Degree Bend 1
1	822	90-Degree Bend 2
2	A04	Plug, Sprocketlock
2	F05Z	M5 0.8 x 16mm Socket, Cap Screw
1	T80	Sprocket

Note: All scales at 1:1 when printed on 8.5 x 11" unless otherwise stated

B01 - L-Bracket, Pivoting Channelgrip



Parts Table		
Qty	Code	Name
1	763	L-bracket
1	PH	Pivoting Head
1	SA8	Screw, S-S, 8 x 3/8" Truss Phil



Dimensions Table									
Dimension	A	B	C	D	E	F	G	H	J
Inches	1.57	5.00	0.55	2.00	0.28	0.98	1.5	2.60	3.00
Millimetres	40	127	14	51	7	25	38	66	76

Note: All scales at 1:1 when printed on 8.5 x 11" unless otherwise stated

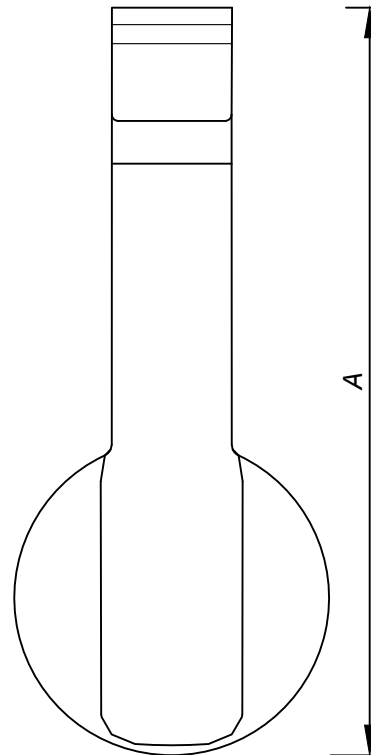
promenaid[®]
For All Walks of Life

Promenaid
(888) 992-4942
customerservice@promenaid.com
<https://promenaid.com>

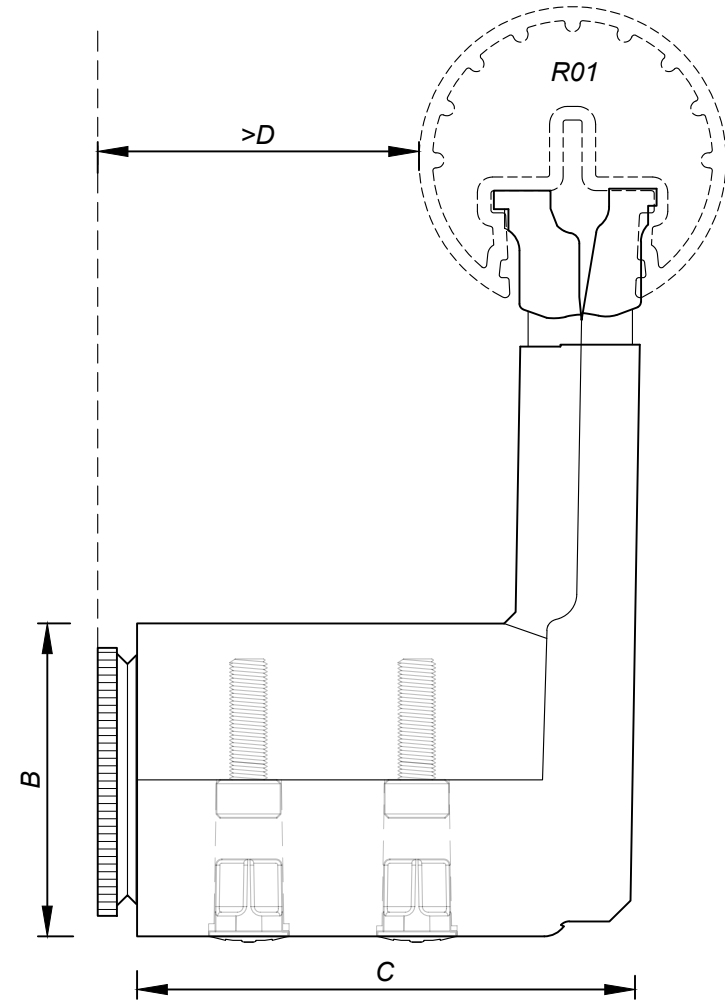
B02 - L-Bracket, Sprocketlock, Channelgrip



Assembled View



Front View



Side View

Parts Table		
Qty	Code	Name
1	8231	L-bracket, Bottom
1	8241	L-bracket, Top
1	A04	Plug, Sprocketlock
1	F05Z	M5 0.8 x 16mm Socket, Cap Screw
1	T80	Sprocket

Dimensions Table				
Dimension	A	B	C	D
Inches	3.90	1.65	2.60	1.50
Millimetres	99	42	66	38

Note: All scales at 1:1 when printed on 8.5 x 11" unless otherwise stated

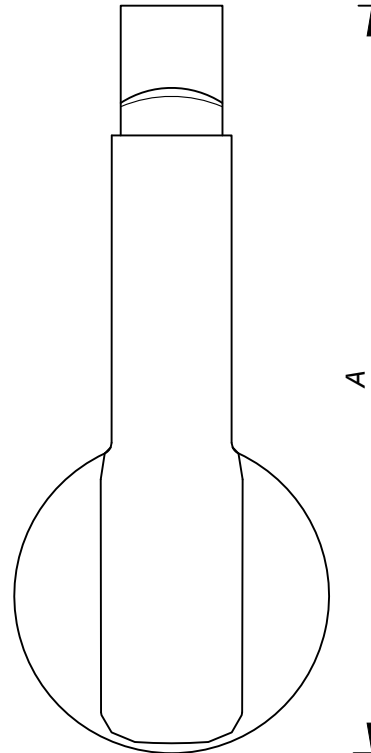
promenaid[®]
For All Walks of Life

Promenaid
(888) 992-4942
customerservice@promenaid.com
<https://promenaid.com>

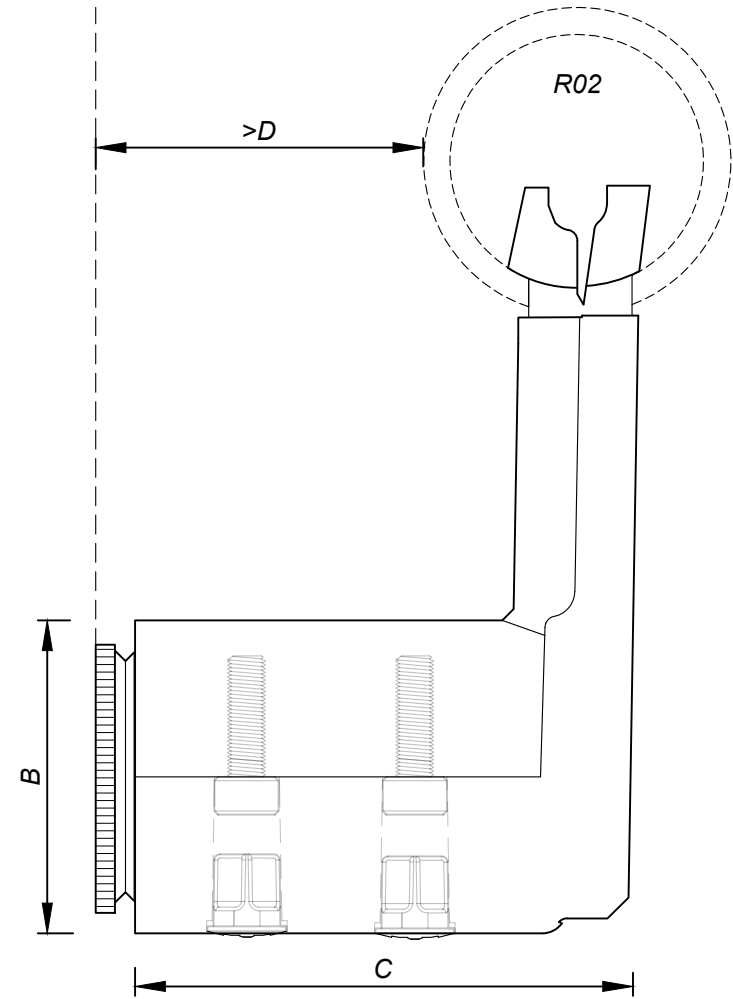
B03 - L-Bracket, Sprocketlock, S40



Assembled View



Front View



Side View

Parts Table		
Qty	Code	Name
1	8232	L-bracket, Bottom, S40
1	8242	L-bracket, Top, S40
1	A04	Plug, Sprocketlock
1	F05Z	M5 0.8 x 16mm Socket, Cap Screw
1	T80	Sprocket

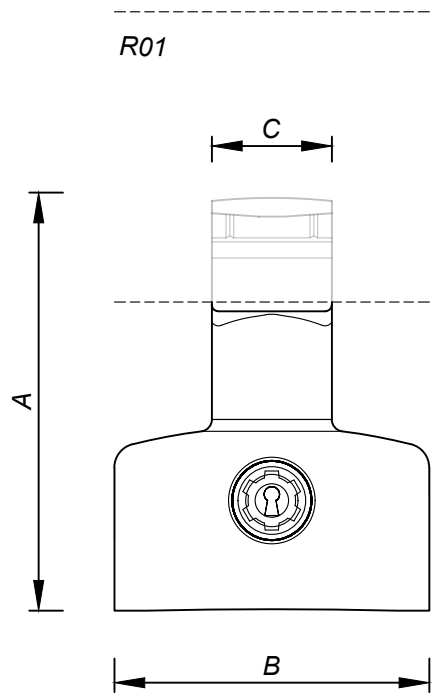
Dimensions Table				
Dimension	A	B	C	D
Inches	3.90	1.65	2.60	1.50
Millimetres	99	42	66	38

Note: All scales at 1:1 when printed on 8.5 x 11" unless otherwise stated

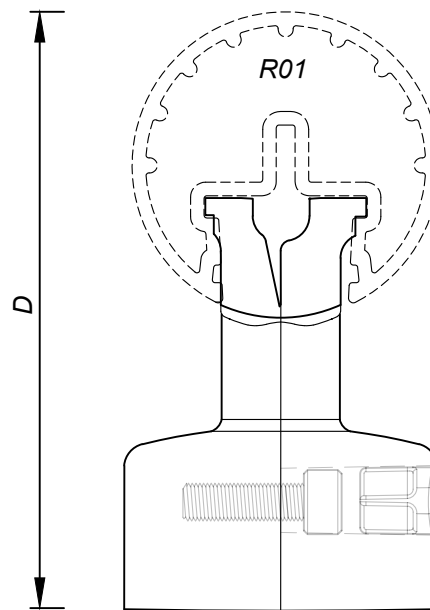
promenaid[®]
For All Walks of Life

Promenaid
(888) 992-4942
customerservice@promenaid.com
<https://promenaid.com>

B04 - T-Bracket, Sprocketlock, Channelgrip



Front View



Side View



Assembled View

Parts Table		
Qty	Code	Name
1	8251	T-bracket, Female
1	8261	T-bracket, Male
1	A04	Plug, Sprocketlock
1	F05Z	M5 0.8 x 16mm Socket, Cap Screw
1	T80	Sprocket

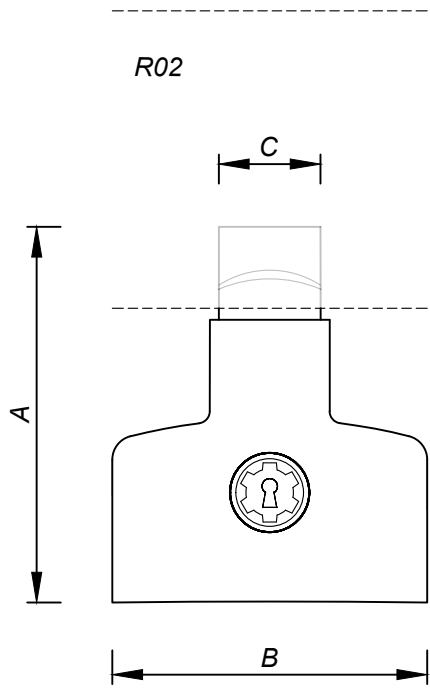
Dimensions Table				
Dimension	A	B	C	D
Inches	2.17	1.65	0.63	3.11
Millimetres	55	42	16	79

Note: All scales at 1:1 when printed on 8.5 x 11" unless otherwise stated

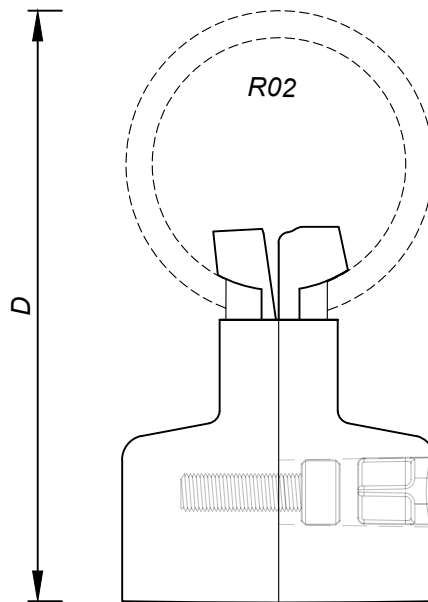
promenaid[®]
For All Walks of Life

Promenaid
(888) 992-4942
customerservice@promenaid.com
<https://promenaid.com>

B05 - T-Bracket, Sprocketlock, S40



Front View



Side View



Assembled View

Parts Table		
Qty	Code	Name
1	8252	T-bracket, Female, S40
1	8262	T-bracket, Male, S40
1	A04	Plug, Sprocketlock
1	F05Z	M5 0.8 x 16mm Socket, Cap Screw
1	T80	Sprocket

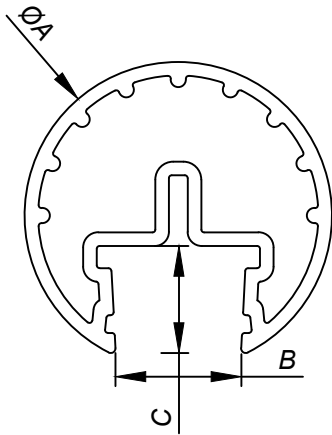
Dimensions Table				
Dimension	A	B	C	D
Inches	1.97	1.65	0.51	3.11
Millimetres	50	42	13	79

Note: All scales at 1:1 when printed on 8.5 x 11" unless otherwise stated

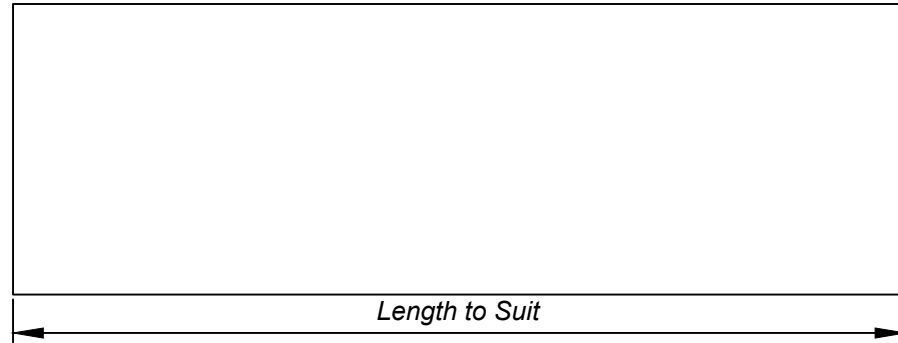
promenaid[®]
For All Walks of Life

Promenaid
(888) 992-4942
customerservice@promenaid.com
<https://promenaid.com>

R01 - Railing

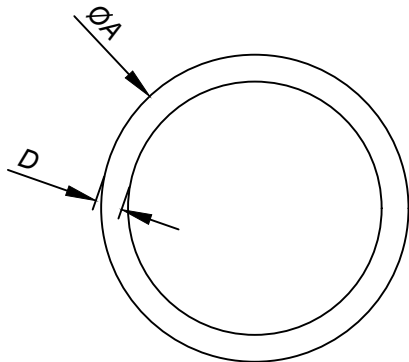


Profile

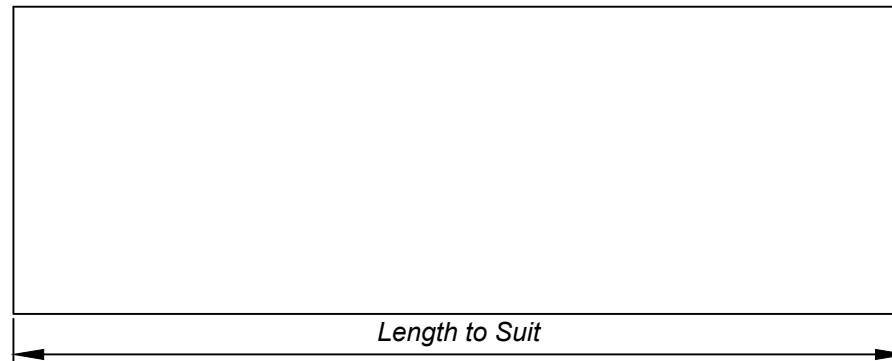


Side View

R02 - Pipe, Schedule 40, 1.66 OD



Profile



Side View



Rendered Views

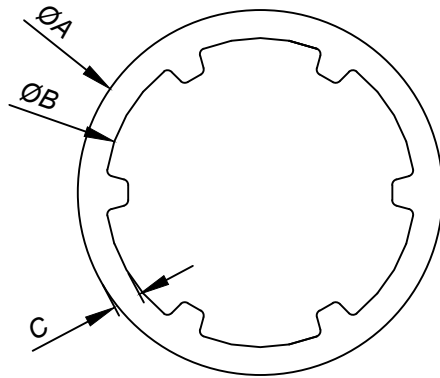
Dimension Table				
Dimension	A	B	C	D
Inches	1.65	0.67	0.57	0.13
Millimetres	42	17	14	4

Note: All scales at 1:1 when printed on 8.5 x 11" unless otherwise stated

promenaid[®]
For All Walks of Life

Promenaid
(888) 992-4942
customerservice@promenaid.com
<https://promenaid.com>

R03 - Railing



Profile



Side View



Rendered View

Dimension Table			
Dimension	A	B	C
Inches	1.90	1.61	0.145
Millimetres	48	41	4

Note: All scales at 1:1 when printed on 8.5 x 11" unless otherwise stated

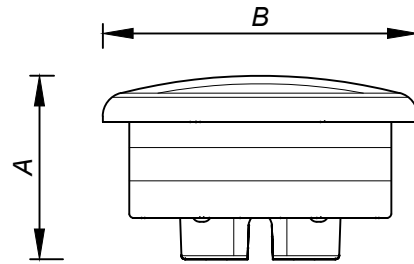
promenaid[®]
For All Walks of Life

Promenaid
(888) 992-4942
customerservice@promenaid.com
<https://promenaid.com>

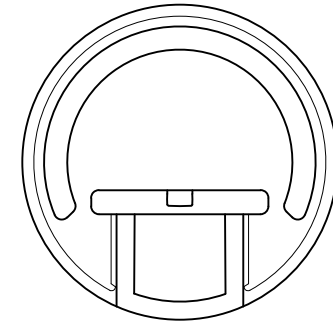
T01 - Endcap, Channelgrip, Flush



Rendered Views

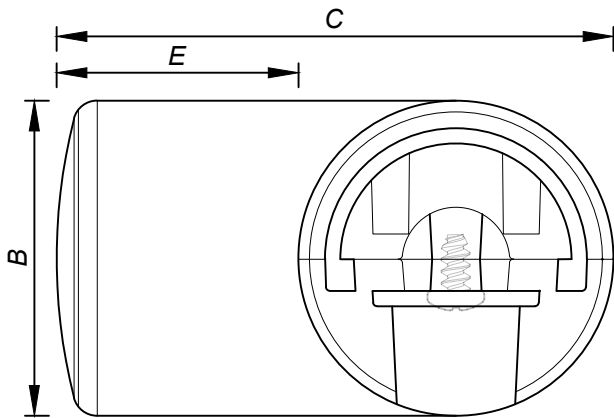


Side View

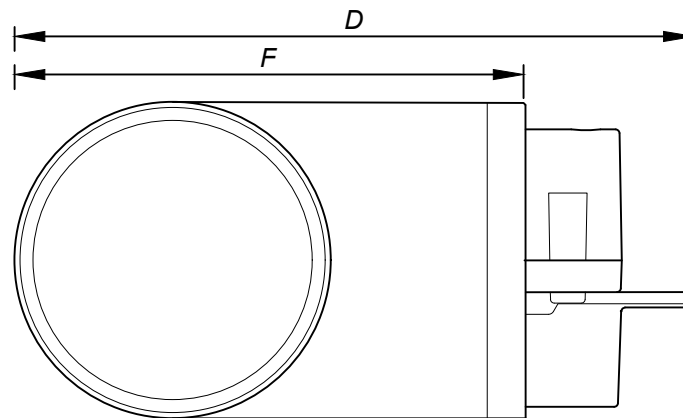


Back View

T02 - ADA Return, Channelgrip

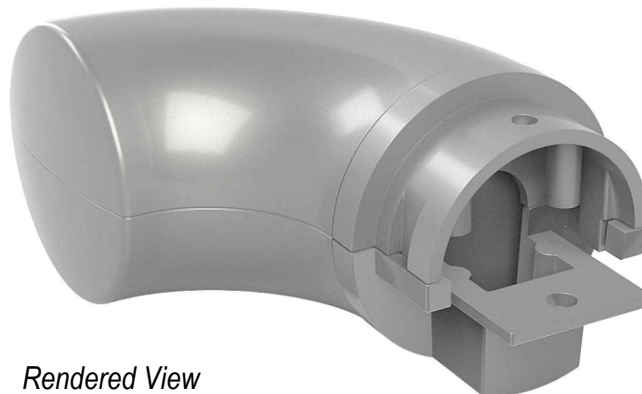


Front View



Side View

Parts Table (T02)		
Qty	Code	Name
1	768	ADA Return 1
1	769	ADA Return 2
1	770	Endpiece 1
1	771	Endpiece 2
1	SA7	Screw, ZN, 7 x 3/8 Pan Phil "B", Blunt End



Rendered View

Dimension Table						
Dimension	A	B	C	D	E	F
Inches	1.38	1.42	2.90	3.53	1.26	2.65
Millimetres	35	36	74	90	32	67

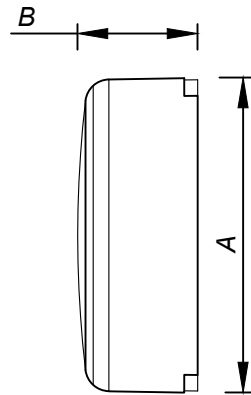
promenaid[®]
For All Walks of Life

Promenaid
(888) 992-4942
customerservice@promenaid.com
<https://promenaid.com>

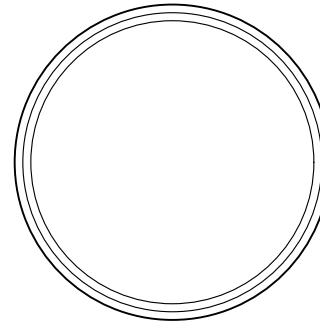
T03 - Cap, Sprocketlock



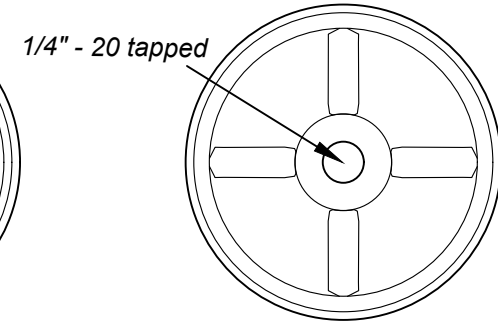
Rendered View



Side View

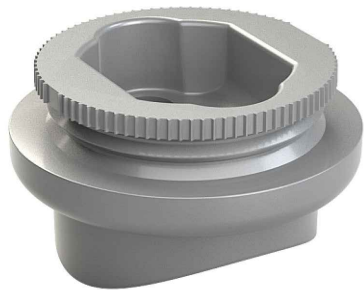


Front View

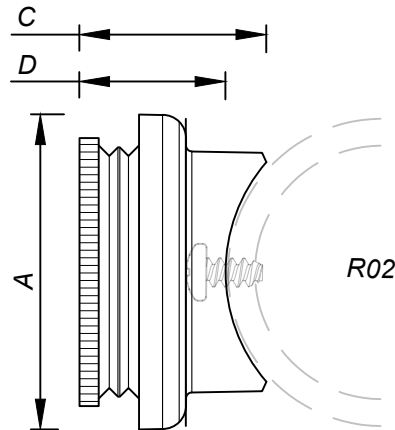


Back View

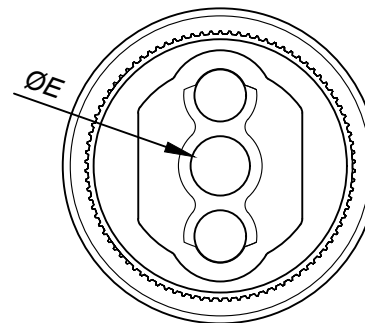
T04 - T-Connector, Sprocketlock



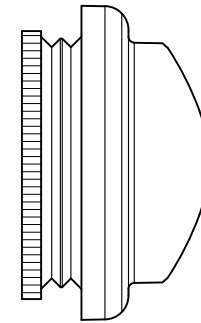
Rendered View



Side View



Front View



Back View

Dimension Table					
Dimension	A	B	C	D	E
Inches	1.65	0.67	0.57	0.13	0.28
Millimetres	42	17	14	4	7

Parts Table (T04)		
Qty	Code	Name
1	830	T Connector
1	F09Z	Screw, Self-drilling, 1/4" x 1"

Note: All scales at 1:1 when printed on 8.5 x 11" unless otherwise stated

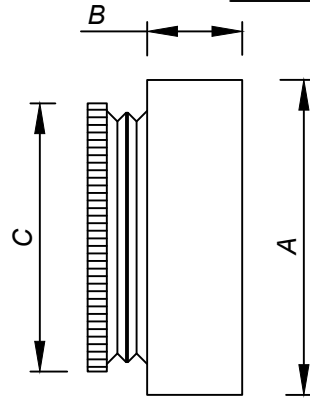
promenaid[®]
For All Walks of Life

Promenaid
(888) 992-4942
customerservice@promenaid.com
<https://promenaid.com>

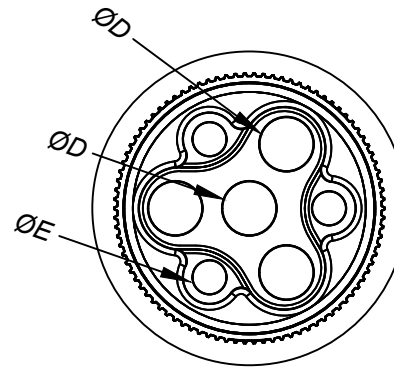
T05 - 1/2" Spacer



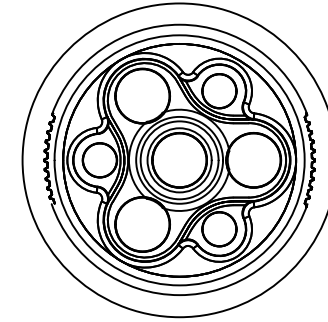
Rendered View



Side View

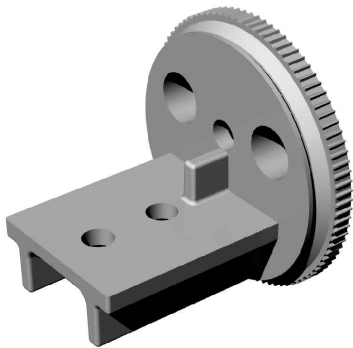


Front View

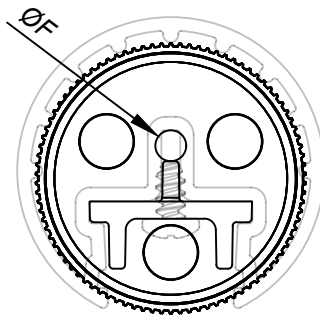


Back View

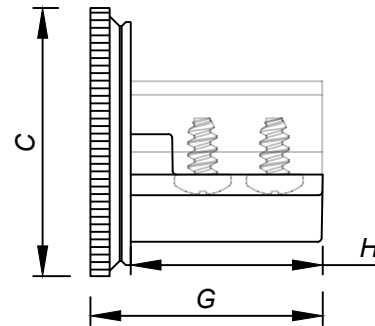
T06 - Channelgrip Connector



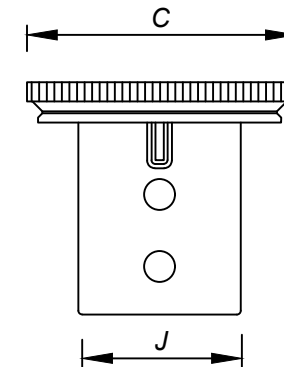
Rendered View



Front View



Side View



Top View

Dimension Table

Dimension	A	B	C	D	E	F	G	H	J
Inches	1.65	0.51	1.38	0.28	0.20	0.16	1.22	0.98	0.83
Millimetres	42	13	35	7	5	4	31	25	21

Parts Table (T06)

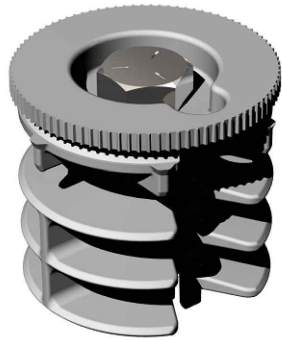
Qty	Code	Name
1	829	Channelgrip Connector
1	F06Z	Screw, ZN, 7 x 3/8 Pan Phil "B", Blunt End

Note: All scales at 1:1 when printed on 8.5 x 11" unless otherwise stated

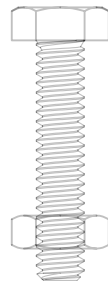
promenaid[®]
For All Walks of Life

Promenaid
(888) 992-4942
customerservice@promenaid.com
<https://promenaid.com>

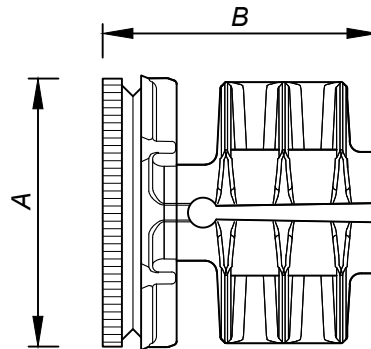
T07 - Pipe Connector



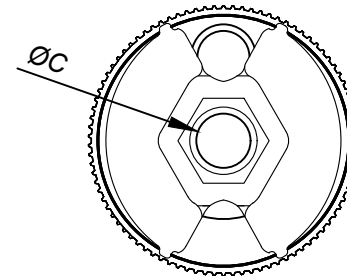
Rendered View



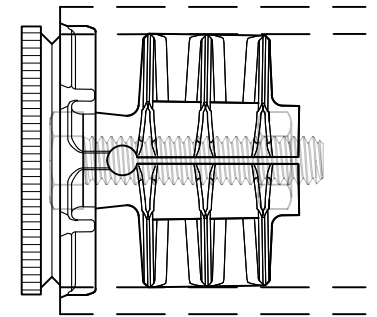
1/4" Thread,
1-1/4" Long Hex Bolt



Side View



Back View

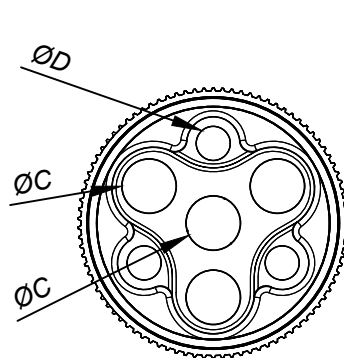


Assembled View

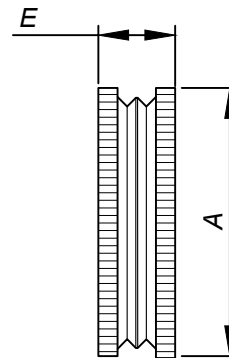
T80 - Sprocket



Rendered View



Front View



Side View

Parts Table (T07)

Qty	Code	Name
1	829	S40 Connector
1	F06Z	Screw, Hex, 1/4-20 x 1-1/4"
1	F07Z	Nut, 1/4-20

Dimension Table

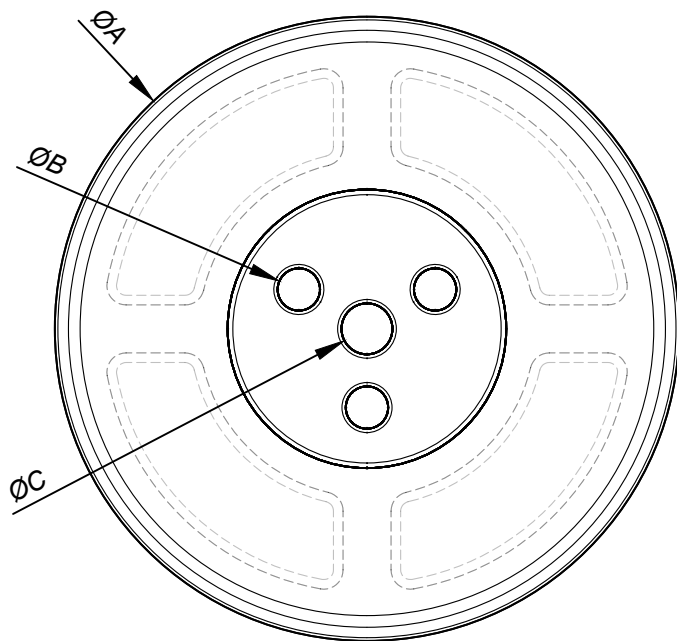
Dimension	A	B	C	D	E
Inches	1.38	1.42	0.28	0.2	0.39
Millimetres	35	36	7	5	10

Note: All scales at 1:1 when printed on 8.5 x 11" unless otherwise stated

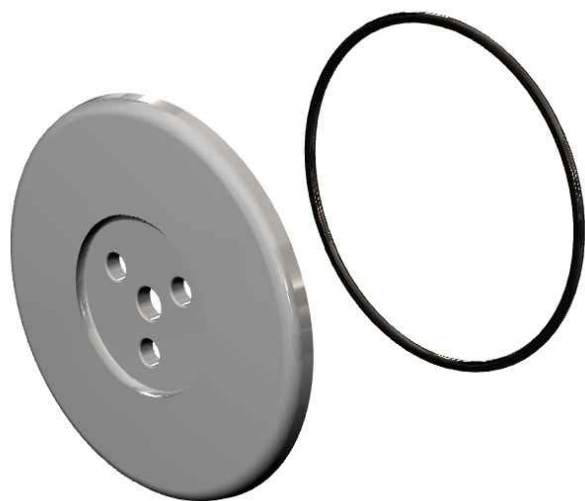
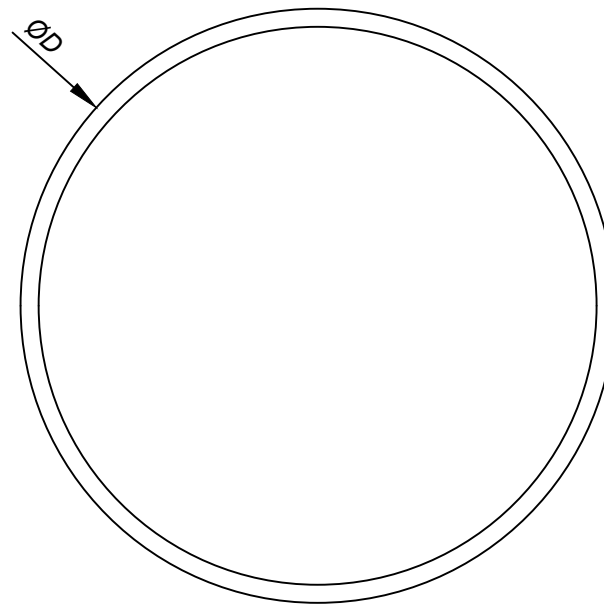
promenaid[®]
For All Walks of Life

Promenaid
(888) 992-4942
customerservice@promenaid.com
<https://promenaid.com>

A05 - Rosette



A11 - O-Ring



Rendered View

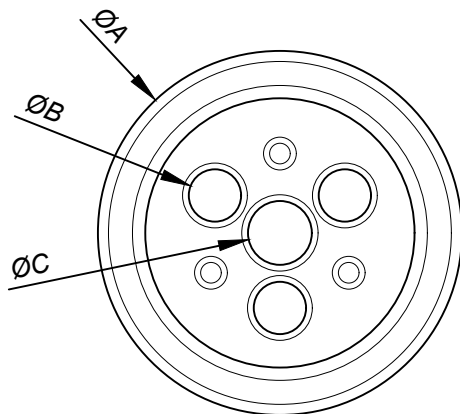
Note: All scales at 1:1 when printed on 8.5 x 11" unless otherwise stated

Dimension Table				
Dimension	A	B	C	D
Inches	3.27	0.24	0.28	3.11
Millimetres	83	6	7	79

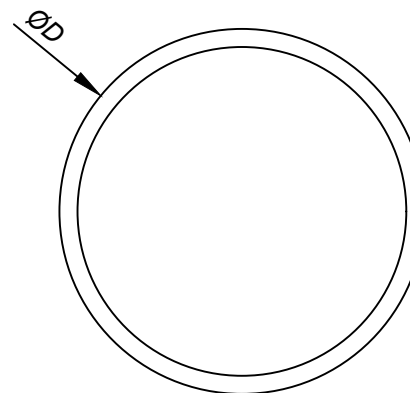
promenaid[®]
For All Walks of Life

Promenaid
(888) 992-4942
customerservice@promenaid.com
<https://promenaid.com>

A14 - 1.9in Rosette



A15 - O-Ring



Rendered View

Dimension Table				
Dimension	A	B	C	D
Inches	1.90	0.27	0.35	1.90
Millimetres	48	7	9	48

Note: All scales at 1:1 when printed on 8.5 x 11" unless otherwise stated

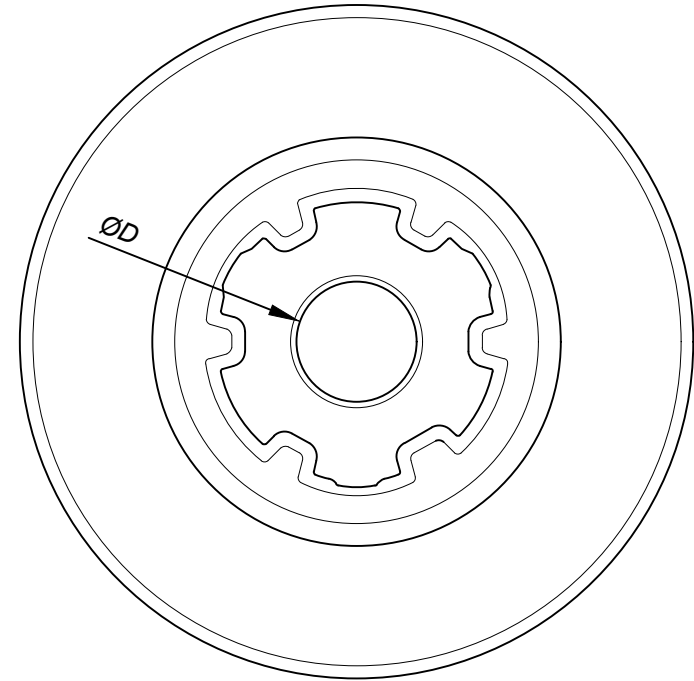
promenaid[®]
For All Walks of Life

Promenaid
(888) 992-4942
customerservice@promenaid.com
<https://promenaid.com>

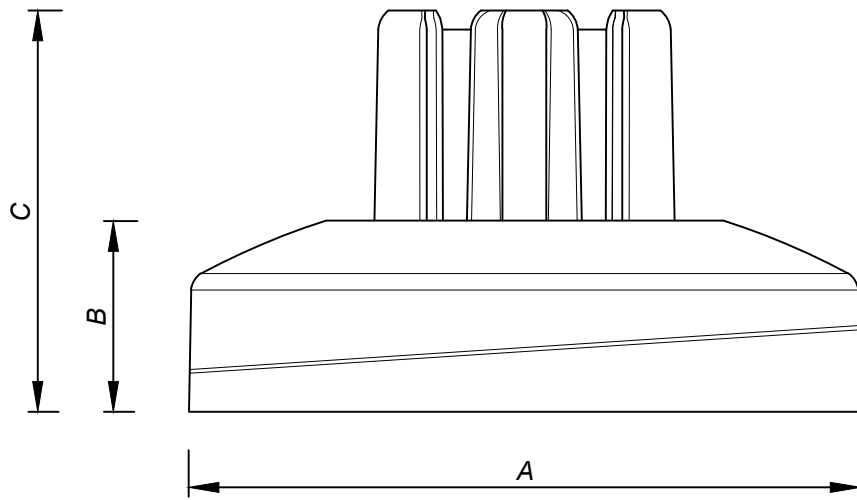
T11 - Post Base



Rendered View



Plan View



Elevation View

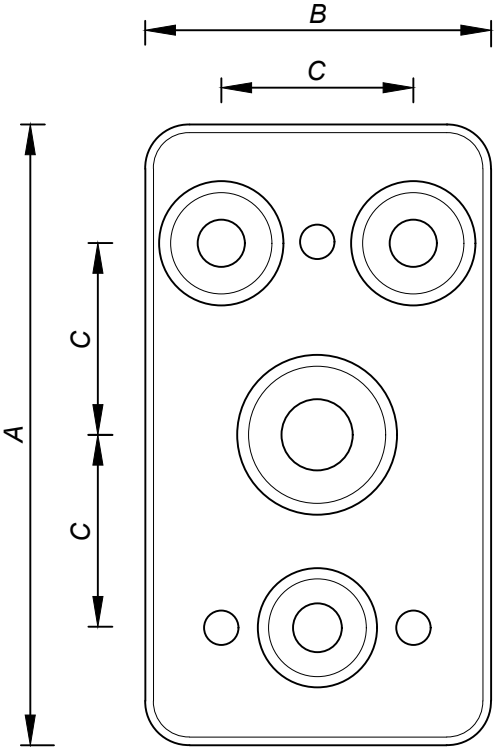
Dimension Table				
Dimension	A	B	C	D
Inches	3.5	1.0	2.1	0.3
Millimetres	89	25	53	8

Note: All scales at 1:1 when printed on 8.5 x 11" unless otherwise stated

promenaid[®]
For All Walks of Life

Promenaid
(888) 992-4942
customerservice@promenaid.com
<https://promenaid.com>

WA - Wall Adapters



Front View



Side View



Rendered View

Dimension Table			
Dimension	A	B	C
Inches	3.23	1.80	1.00
Millimetres	82	46	25

Note: All scales at 1:1 when printed on 8.5 x 11" unless otherwise stated

promenaid[®]
For All Walks of Life

Promenaid
(888) 992-4942
customerservice@promenaid.com
<https://promenaid.com>