

forster  
thermfix  
vario

# forster thermfix vario

## Transparency and maximum safety

The mullion-transom curtain walls forster thermfix vario meet all requirements for high heat insulation to Passive House level and safety with fire protection, burglary, bullet and explosion resistance. Profiles in steel or stainless steel positioned in the room are used for load bearing. Thanks to the outstanding static properties, impressive field sizes are possible with very slim profile face widths of just 45 mm.

Suitable insert elements from the standard range from Forster such as doors with high thermal insulation and windows and elements with safety functions such as fire and smoke protection can be easily combined with the forster thermfix vario curtain wall. In addition, sophisticated processing tools save time during production and installation. Seals printed with position markings allow for safe, precise processing on site.









# forster thermfix vario HI

## Highly thermally insulated curtain walls

An aesthetic masterpiece designed to meet the Passive House standard, the forster thermfix vario HI curtain wall meets the highest Passive House efficiency class phA and therefore offers excellent heat insulation. The steel profile system can be used to create impressive field sizes – even for very slim profiles with a width of 45 or 60 mm. Since the Passive House-certified system is based on the forster thermfix vario standard mullion/transom construction, many components can be used across systems. Burglary resistance and fire protection can be taken into account while retaining the same appearance across the entire curtain wall. To ensure similarly high insulation properties on the window and door components, the curtain wall system can be ideally combined with the forster unico, unico xs and omnia profile systems.

### Your benefits

- Heat insulating to Passive House level
- Narrow face widths
- Made of steel or stainless steel

### Technical specifications

#### Material variants

Available as CO<sub>2</sub>-reduced low carbon emission steel  
Steel zinc magnesium standard  
Brushed stainless steel\*\*

#### Face widths

Mullion-transom profile in 45 and 60 mm

#### Dimensions

Fixed glazing (W×H):  
Unlimited × across floors, depending on static requirements

#### System features

Design variants:  
Curtain wall or inner partition

---

Easy installation thanks to mechanical T-joints

---

Cover strips in aluminium and stainless steel

---

Structural depth 50 – 250 mm

---

Max. filling element thickness 70 mm

---

Max. filling weight 500 kg

---

Dry glazing

#### Performance characteristics\*

CE/UKCA marking according to EN 13830

---

Environmental Product Declaration (EPD) according to ISO 14025 and EN 15804

---

Heat insulation on mullion/transom:  
U<sub>f</sub> value up to 0.49 W/(m<sup>2</sup> K), U<sub>ew</sub> value up to 0.6 W/(m<sup>2</sup> K)

---

Resistance to wind loads:  
3 kN/m<sup>2</sup> according to EN 12179, safety load 4.5 kN/m<sup>2</sup>

---

Watertightness: Class RE1350 according to EN 12155

---

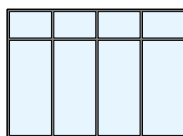
Air permeability: Class AE (>600) according to EN 12153

---

Impact resistance: Class I5/E5 according to EN 14019

---

Sound insulation up to R<sub>w</sub> = 45 dB according to EN ISO 140-3



\* Take note of the country-specific approvals and requirements

\*\* On request





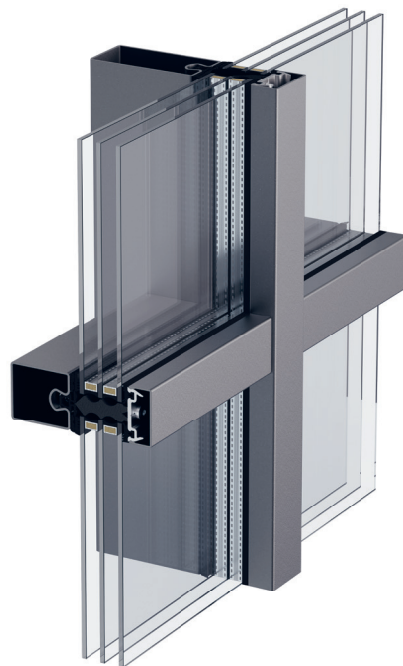
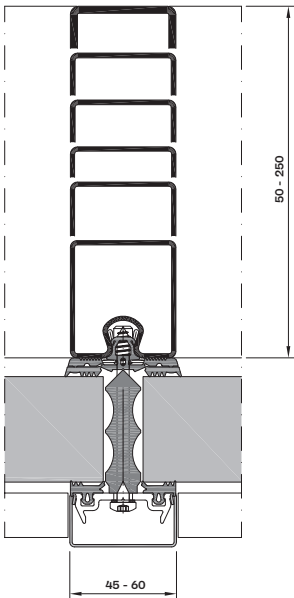
  
 Low carbon  
 emission steel

  
 EPD

  
 Insulation

  
 Water-  
 tightness

  
 Acoustic  
 performance



Transom

# forster thermfix vario

## Curtain walls for safety applications

Impressive dimensions for maximum safety: The forster thermfix vario vertical curtain walls for outdoor use or inner partition for safety applications meet all requirements in burglary resistance and in fire protection and also as a customised solution for bullet and explosion resistance. The corner constructions and glass-bonded panels with a size of up to 1500 × 3000 mm have been tested for fire protection and facilitate wide-ranging design and application possibilities with a consistently high level of safety. Profiles in steel or stainless steel positioned in the room are used for load bearing. Thanks to the outstanding static properties, impressive field sizes are possible despite the discreet profile face widths of just 45 mm. The particularly safe and multifunctional curtain wall can also be easily combined with fire and burglar-resistant side-hung and sliding doors forster fuego light, unico and omnia.

### Technical specifications

#### Material variants

Available as CO<sub>2</sub>-reduced low carbon emission steel  
Steel zinc magnesium standard  
Brushed stainless steel\*\*

#### Face widths

Mullion-transom profile in 45 and 60 mm

#### Dimensions

Fixed glazing (W×H):  
unlimited × max. 5000 mm across floors

#### System features

Design variants:  
Curtain wall or inner partition  
Corner designs in classes EI30 and EI60 to 5000 mm

---

Floor-to-ceiling panels up to max. 1500 × 3000 mm with glass bonding possible

---

Easy installation thanks to mechanical T-joints

---

Cover strips in aluminium and stainless steel

---

Structural depth 50 – 150 mm

---

Max. filling element thickness 70 mm

---

Max. filling weight 500 kg

---

Dry glazing

#### Performance characteristics\*

CE/UKCA marking according to EN 13830

---

Environmental Product Declaration (EPD) according to ISO 14025 and EN 15804

---

Heat insulation: U<sub>f</sub> value up to 1.2 W/(m<sup>2</sup> K)

---

Fire protection:  
EI30/EI60/EI90/E30/E60/E90/EW30/EW60 according to EN 1634-1

---

Fire protection: 60/90/120 minutes according to UL 263 & ULC-S101

---

Burglary resistance: RC2-4 according to EN 1627

---

Bullet resistance: FB4 NS according to EN 1522 as customised solution

---

Explosion resistance:  
EPR1 (S) according to EN 13123-1 as customised solution

---

Resistance to wind loads:  
3 kN/m<sup>2</sup> according to EN 12179, safety load 4.5 kN/m<sup>2</sup>

---

Watertightness: Class RE1200 according to EN 12155

---

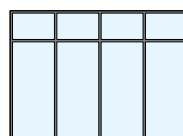
Air permeability: Class AE (>600) according to EN 12153

---

Impact resistance: Class I5/E5 according to EN 14019

---

Sound insulation up to R<sub>w</sub> = 45 dB according to EN ISO 140-3



\* Take note of the country-specific approvals and requirements

\*\* On request





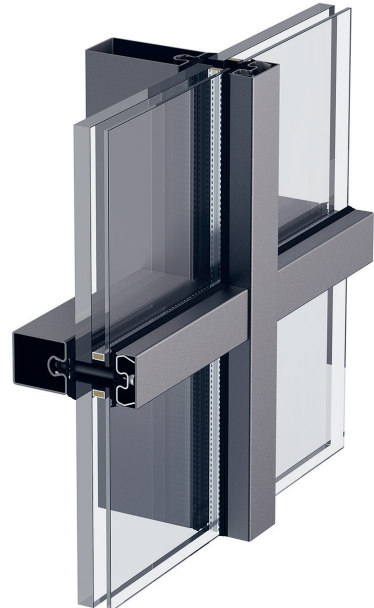
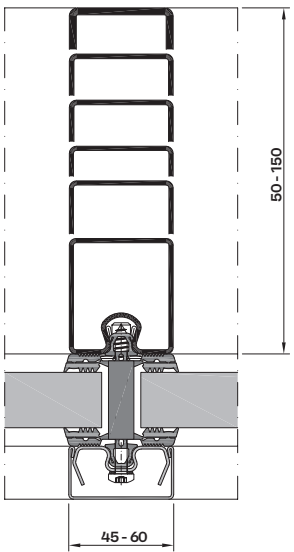
Low carbon  
emission steel

EPD  
PDF  
EPD

HI  
HI

Slim  
profiles

Fire  
resistance



Transom

# Steel is our nature.

938367/60001436/12-24

**For us, steel is a matter of the heart. We develop long-lasting systems for attractive and energy-efficient architecture.**

Forster Profile Systems develops and manufactures safe, energy-efficient solutions in steel and stainless steel for doors, windows and facades in Switzerland. Forster works with its own branches in over 20 countries – and exclusive sales partners in around 10 more. In-house consultants are on hand to assist our customers at sites ranging from Europe and the Middle East to Asia and North America. Forster systems are used for building shells and interiors. This includes market-leading solutions that meet

the strictest requirements and standards in terms of thermal insulation, plus safety applications such as fire protection, burglar resistance and bullet resistance. The product range is rounded off by matching accessories. Our customers and business partners in architecture, planning and construction can also count on comprehensive services for their respective industry.

Forster Profilsysteme AG | CH-8590 Romanshorn  
info@forstersystems.com | forstersystems.com

**forster**