



Securing entrance doors in nurseries

ASSA ABLOY

The global leader in
door opening solutions

The situation

Lock children inside or leave the door open?



Nurseries must ensure that children do not leave their building unnoticed.

At the same time, escape routes to the outside must also be free in the event of an emergency.



The solution

Greater security for nurseries

It is important for children to be provided with a safe environment where they have room to develop as individuals.



The following requirements are set out for main entrance doors to nurseries and day-care centers:

- Parents are able to open the door during drop-off and pick-up times, but it is always closed for children on the inside.
- Adults can open the door easily from the inside at any time.
- In the event of an emergency, such as a fire or another panic situation, everybody can use the door to escape.

In addition to these functions, mandatory building codes for electrical locking devices on doors along escape routes must also be fulfilled. effeff offers a tested and certified escape door locking system for such cases.

Our experience – your benefit

From standard systems to individual solutions

effeff provides different solutions to secure nurseries which meet operators' requirements and adapts to the respective building structure:

FTT013 Escape door locking device for nursery schools with electric strike

FTT017 Escape door locking device for nursery schools with MEDIATOR® panic lock and authorized access via access control system

FTT010 Escape door locking device for nursery schools with MEDIATOR® panic lock and authorized access via access control system SCALA web/DoC

You will find other system solutions in our escape route technology catalog.

Performance characteristics	FTT013	FTT017	FTT010
Locking device in direction of escape	•	•	•
Authorized access from the inside using a release button at a height of around 1.80 cm	•	•	•
Monitoring of door release interval	•	•	•
Automatic release via fire alarm system possible	•	•	•
Blocking of the door possible when the burglar alarm system is activated	•	•	•
Burglary protection (locking of the door)	Manual	Automatically secured	Automatically secured
Access control system and contactless ID carrier to prevent unauthorized access		•	•
Authorizations configured using a web interface			•
Logging of entry data			•



We assist you with words and deeds!

Do you have any technical questions or do you need help with planning and system implementation in your building?

If you need technical advice, we will provide you with support from professionals who will help you with all technical issues. Of course, we can also put you in contact with specialists for detailed questions on technical projects or key accounts.

Technical support hotline +49 7431 123-381

Innovative technology

The ASSA ABLOY security door closer DC700G-FT

The ASSA ABLOY security door closer, the retrofit escape route locking system for nursery schools

The new ASSA ABLOY security door closer for installation on the non-hinge side is a retrofit escape route locking system solution for outwards opening facade doors, for example. It comprises a guide rail door closer according to DIN EN 1154 with an extended mounting plate and extended guide rail. The escape door electric strike model 332 is mounted in the extended guide rail, the latch bolt lock 807 is mounted on the extended door closer mounting plate. This means that there are not two different components (door closer and locking element) visible as on conventional surface-mounted escape route locking systems.

The ASSA ABLOY security door closer is visually appealing thanks to the end-to-end cover.

The ASSA ABLOY security door closer is secure, easy to install and offers several adjustment options to compensate installation tolerances.

It also has another distinct advantage compared with conventional solutions like electric holding magnets or other surface-mounted escape route locking systems: There are no significant clearance height restrictions.



1 Before:

The facade door is fitted with a conventional door closer.



2 After:

Without major assembly work, the facade door is fitted with an electromechanical locking device.



FTT013

Escape door locking device for nursery schools with electric strike

System overview:

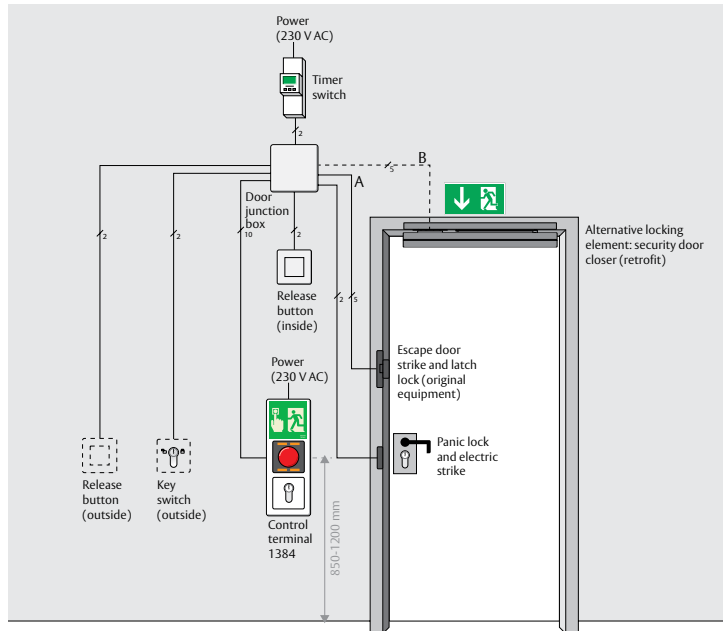


Fig. shows stand-alone model in FT Basic version

Function:

Security in direction of escape

For securing doors the door is additionally blocked by an electric locking component (escape door strike/security door closer). The locking component is powered and controlled via the escape door control terminal. The door can be released at any time using the emergency button, even by children. An audible and optical alarm is also triggered at the same time. After the alarm interval has elapsed, a continual guidance signal is emitted to make it easier to find the exit if there is thick smoke, for example.

Authorized access

The door is authorized for use from the inside using a release button, which is installed at a height of about 1.80 m and therefore cannot be reached by children. A release button which disengages the escape door locking device while unlocking the door strike in the main door at the same time is also installed to gain authorized entry from the outside. This button is activated by a timer switch during drop-off and pick-up times only.

Outside these hours, entry can be gained using the outside key switch.

Monitoring of the door release interval

The time that the door is open is monitored when it is released temporarily using a button or key switch. A reminder signal (pre-alarm) is emitted once the permitted interval is exceeded. If this signal is ignored,

the door alarm will sound and remain active until the alarm is reset. This prevents the door from being open for a long period of time and ensures that children are not able to leave the premises unnoticed.

The time intervals for temporary release, pre-alarm and door alarm can be set as required. If the door is closed again before the temporary release interval comes to an end, it is then automatically re-locked or secured.

Connection with fire alarm system or burglar alarm system

Several inputs and outputs are available for connecting a fire alarm system or burglar alarm system in the FT Plus version. If the fire alarm system is activated, the escape door locking device is released in emergency mode and an alarm sounds. The alarm is automatically switched off and the door is locked again by resetting the fire alarm system. If the burglar alarm is set off, the escape door locking device is secured and all local release mechanisms, such as buttons and access control units, are deactivated. The emergency button function, however, remains active at all times.

It is also possible to retransmit the escape door locking device system status - 'locked' or 'unlocked' - via a relay output.

FTT013

Escape door locking device for nursery schools with electric strike

System components/variations

FT plus systems offer more inputs and outputs compared to FT basic and can be parameterized using the FT Manager software

The ASSA ABLOY security door closer is particularly suited for retrofitting on existing doors. This removes the need for time-consuming reworking when integrating the escape door strike in the door element.

Performance characteristics	STAND-ALONE	
	FT Basic	FT Plus
Control inputs (e.g. fire alarm system, burglar alarm system etc.)	None	8x
Relay outputs (e.g. alarm or system status)	None	2x
Locking elements	Max. 2 x EDS	Max. 2 x EDS
Parameterization by FT Manager software		Yes

System components	STAND-ALONE	
	FT Basic	FT Plus
Control terminal 1384-11N (with power supply unit)	X	
Control terminal 1385-11 (without power supply unit, networked /TS-BUS)		X
I/O module 901-20		X
External power supply unit 1003-24-1		X
Escape door strike 332.80 (24V) (version A)	X	X
Latch lock 807	X	X
Internal release button 1011-----20	X	X
External release button external 1012-----20	X	X
Alternative specially for retrofitting		
Security door closer DC700G-FT BGS (24 V) (version B)	•	•
Mounting plate DCFA08 or DCFA09 (according to the door situation)	•	•
Electric strike 11805 (24V) coil version	X	X
External key switch 1140-1X	X	X
Timer switch (weekly schedule) 2032-10	X	X
ASSA ABLOY solution code	FTT013SB1	FTT013SE1

x = required system components, • = can be used as an alternative, EDS = escape door strike, HM = holding magnet

Planning documents

We are happy to provide assistance. Please indicate the corresponding ASSA ABLOY solution code, so that we can help you.

FTT017

Escape door locking device for nursery schools with MEDIATOR® panic lock and authorized access via access control system

System overview:

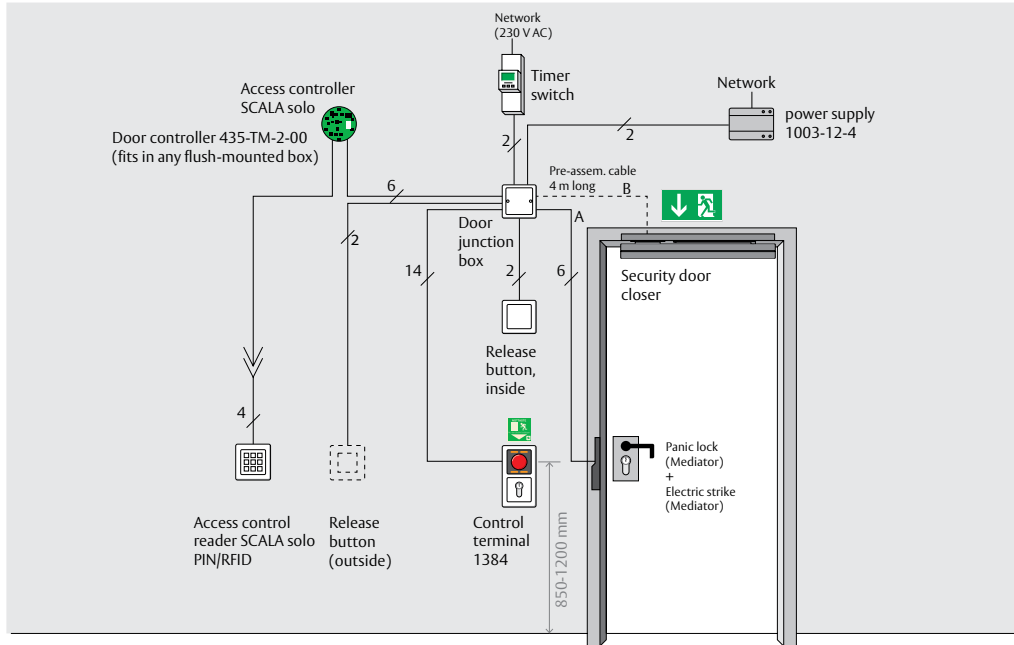


Fig. shows stand-alone model in FT Plus version

Function:

Security in direction of escape

For securing doors the door is additionally blocked by an electric locking component (escape door strike/security door closer). The locking component is powered and controlled via the escape door control terminal. The door can be released at any time using the emergency button, even by children. An audible and optical alarm is also triggered at the same time. After the alarm interval has elapsed, a continual guidance signal is emitted to make it easier to find the exit if there is thick smoke, for example.

Authorized access

The door is authorized for use from the inside using a release button, which is installed at a height of about 1.80 m and therefore cannot be reached by children. A release button which disengages the escape door locking device while unlocking the door strike in the main door at the same time is also installed to gain authorized entry from the outside. This button is activated by a timer switch during drop-off and pick-up times only. An electric access control system (card reader/PIN), which releases the escape door locking device while unlocking the panic lock at the same time, is installed to gain authorized entry (personnel) from the outside.

Burglary protection and panic function

The exit device offers burglary protection and controlled access from the outside. The lock is released using a special electric strike (MEDIATOR®). The door can be used in the direction of escape at any time using the lock's panic function. When the door is closed, the bolt extends again automatically (self-locking).

Monitoring of door release interval

The time that the door is open is monitored when it is released temporarily using a button or card reader. A reminder signal (pre-alarm) is emitted once the permitted interval is exceeded. If this signal is ignored, the door alarm will sound and remain active until the alarm is reset. This prevents the door from being open for a long period of time and ensures that children are not able to leave the premises unnoticed.

The time intervals for temporary release, pre-alarm and door alarm can be set as required. If the door is closed again before the temporary release interval comes to an end, it is then automatically re-locked or secured.

Connection with fire alarm system or burglar alarm system

Several inputs and outputs are available for connecting a fire alarm system or burglar alarm system in the FT Plus version. If the fire alarm system is activated, the escape door locking device is released in emergency mode and an alarm sounds. The alarm is automatically switched off and the door is locked again by resetting the fire alarm system. If the burglar alarm is set off, the escape door locking device is locked and all local release mechanisms, such as buttons and access control units, are deactivated. The emergency button function, however, remains active at all times.

It is also possible to retransmit the escape door locking device system status - 'locked' or 'unlocked' - via a relay output.

FTT017

Escape door locking device for nursery schools with MEDIATOR® panic lock and authorized access via access control system

System components/variations

FT plus systems offer more inputs and outputs compared to FT basic and can be parameterized using the FT Manager software

The ASSA ABLOY security door closer is particularly suited for retrofitting on existing doors. This removes the need for time-consuming reworking when integrating the escape door strike in the door element.

Performance characteristics	STAND-ALONE	
	FT Basic	FT Plus
Control inputs (e.g. fire alarm system, access control etc)	None	8 x
Relay outputs (e.g. alarm or system status)	None	2 x
Parameterization by FT Manager software		Yes
MEDIATOR® available as a mechanical multi-point lock	Yes	Yes
Max. no. of persons to be managed	99	99

System components	STAND-ALONE	
	FT Basic	FT Plus
Control terminal 1384-11 (without power supply unit)	X	
Control terminal 1385-11 (without power supply unit)		X
I/O module 901-20		X
Power supply unit 1003-12-4	X	X
Security door closer DC700G-FT BGS (12 V) (version B)	X	X
Mounting plate DCFA08 or DCFA09 (according to the door situation)	•	•
MEDIATOR® lock 609	X	X
MEDIATOR® 65 (12V) electric strike (version A)	X	X
Fitting in compliance with EN 179 (front door furniture)	X	X
Fitting in compliance with EN 1125 (panic bar)	•	•
Internal release button internal 1011-----20	X	X
External release button external 1012-----20	X	X
Timer switch (weekly schedule) 2032-10	X	X
SCALA solo set 435S1121--1--00	X	X
Identification card MIFARE DESFIRE 435-8-1-MD41200	X	X
Key tag MIFARE DESFIRE 435-8-2-MD4	•	•
ASSA ABLOY solution code	FTT017SB1	FTT017SE1

x = required system components, • = can be used as an alternative, EDS = escape door strike, HM = holding magnet

Planning documents

We are happy to provide assistance. Please indicate the corresponding ASSA ABLOY solution code, so that we can help you.

FTT010

Escape door locking device for nursery schools with MEDIATOR® panic lock and authorized access via access control system SCALA web/Data on Card

System overview:

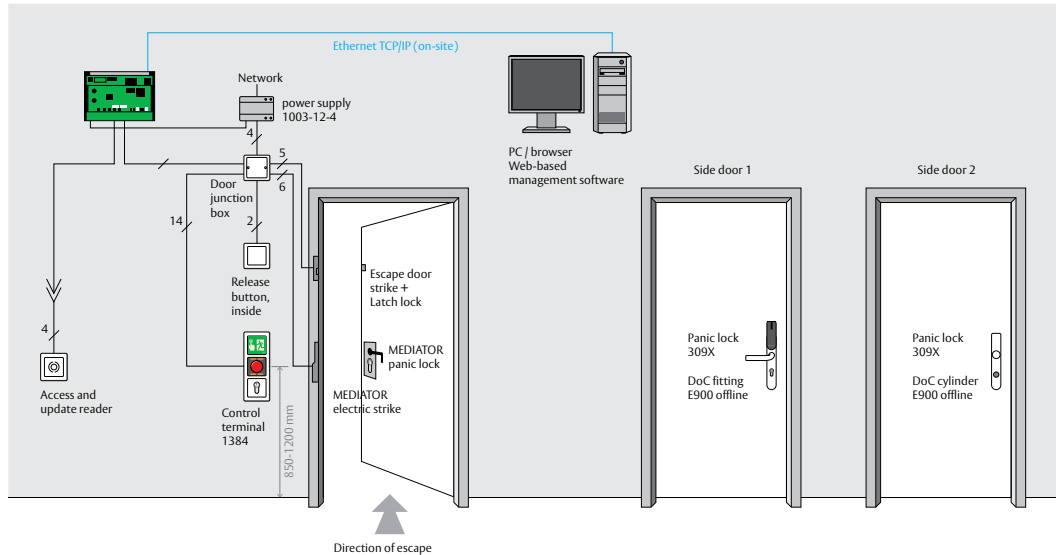


Fig. shows stand-alone model in FT Basic version

Function:

Locking device in direction of escape

Text s. solution FTT017/FTT013

Authorized access

Text s. solution FTT017/FTT013

Burglar protection and panic function

The MEDIATOR® panic lock offers burglar protection and controlled access from the outside. The lock is released by a special electric strike (MEDIATOR®). The door can be used in the direction of escape at any time using the lock's panic function. When the door is closed, the bolt extends again automatically (self-locking).

Monitoring of door release interval

The time that the door is open is monitored when it is released temporarily using a button or card reader. After reminder signal (pre-alarm) is emitted once the permitted interval is exceeded. If this signal is ignored, the door alarm will sound and remain active until the alarm is reset. This prevents the door from being open for a long period of time and ensures that children are not able to leave the premises unnoticed. The time intervals for temporary release, pre-alarm and door alarm can be set as required. If the door is closed again before the temporary release interval comes to an end, it is then automatically re-locked or secured.

Connection with fire alarm system or burglar alarm system

Several inputs and outputs are available for connecting a fire alarm system or burglar alarm system in the FT

Plus version. If the fire alarm system is activated, the escape door locking device is released in emergency mode and an alarm sounds. The alarm is automatically switched off and the door is locked again by resetting the fire alarm system. If the burglar alarm is set off, the escape door locking device is secured and all local release mechanisms, such as buttons and access control units, are deactivated. The emergency button function, however, remains active at all times. It is also possible to retransmit the escape door locking device system status - 'locked' or 'unlocked' - via a relay output.

Access control management:

With SCALA web, access authorizations and schedules, booking logs etc. are configured easily via a web-based management system and with no need for software installation. The intuitive operation takes place via a standard internet browser on a PC, laptop etc. The controller enables a Plug-&-Play connection via the Ethernet connection. The controller can control 2 online doors (reader), 8 Aperio online doors (hub and fitting/cylinder) and up to 95 Aperio offline doors (fitting/cylinder). This means that up to 200 users can be managed. Doors with no wiring or locking system can be secured with Aperio® offline components. A fitting or cylinder can be retrofitted easily without major hassle. Only the access reader on the main entrance has to be wired and acts as an update reader. With the correct authorization, this reader can grant access through the main entrance door. The reader also writes all authorizations for the offline doors on the identification presented (Data-On-Card function (DoC)).

FTT010

Escape door locking device for nursery schools with MEDIATOR® panic lock and authorized access via access control system SCALA web/Data on Card

System components/variations

FT Plus systems feature more inputs and outputs than the FT Basic version and can be parameterized using the FT Manager

Performance characteristics	STAND-ALONE	
	FT Basic	FT Plus
Control terminal with integrated control and power supply	Yes	Yes
Remote controls/power supply		
Control inputs (e.g. fire alarm system, access control etc)	0	8 x
Relay outputs (e.g. alarm or system status)	0	2 x
Locking elements	Max. 2 x EDS	Max. 2 x EDS
Connection to control panel/visual display/OPC		Yes
Max. no. of persons to be managed	200	200

System components	STAND-ALONE	
	FT Basic	FT Plus
Control terminal 1384-11 (without power supply unit)	X	
Control terminal 1385-11 (without power supply unit)		X
I/O module 901-20		X
Power supply unit 1003-12-4	X	X
Escape door strike 332.80 12V	X	X
Latch lock 807	X	X
Alternative specially for retrofitting		
Security door closer DC700G-FT BGS (12 V)	•	•
Mounting plate DCFAxx	•	•
Release button internal 1011-----20	X	X
Release button external 1012-----20	X	X
Access control:		
SCALA web controller for top hat rail installation 435-123--1--00	X	X
SCALA web controller for wall mounting 435-123--2--00	•	•
SCALA reader 435-4211204MD00	X	X
SCALA PIN reader 435-52122--MD00	•	•
Identification card MIFARE DESFIRE 435-8-1-MD41200	•	•
Key tag MIFARE DESFIRE 435-8-2-MD4	•	•
MEDIATOR® lock 609	X	X
MEDIATOR® 65 (12V) electric strike	X	X
Fitting in compliance with EN 179 (front door furniture)	X	X
Fitting in compliance with EN 1125 (panic bar)	•	•
ASSA ABLOY solution code	FTT010SB1	FTT010SE1

x = required system components, • = can be used as an alternative, EDS = escape door strike

Planning documents

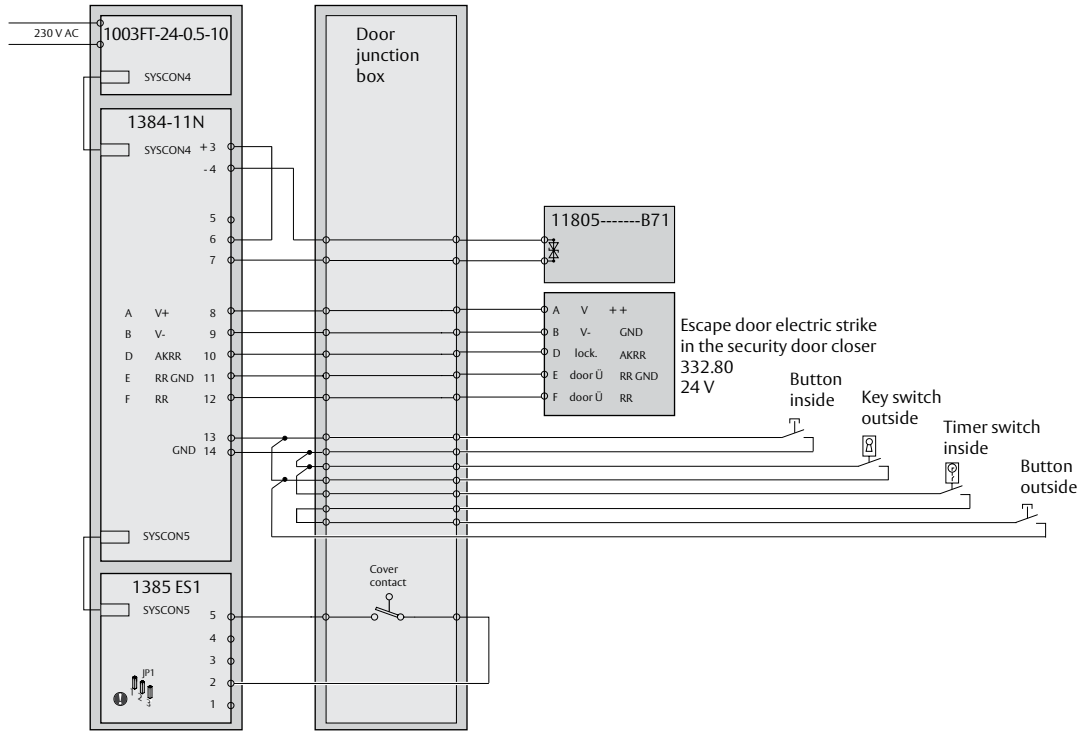
We are happy to provide assistance. Please indicate the corresponding ASSA ABLOY solution code, so that we can help you.

FTT013

Escape door locking device for nursery schools with electric strike in the FT Basis version

We have provided a connection plan for the system (see p. 6-7) here to make planning and installation easier for you to visualize.

Possible profile: Profile 0

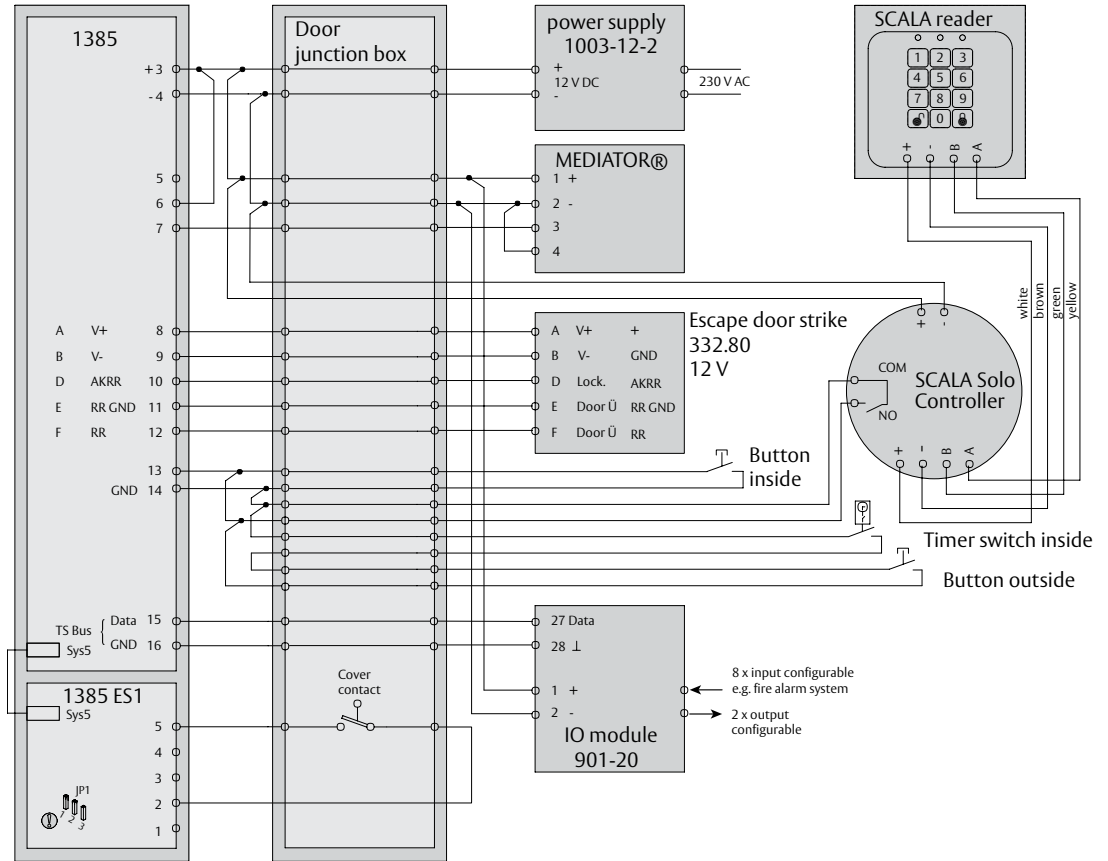


FTT017

Escape door locking device for nursery schools with MEDIATOR® panic lock and authorized access via access control system in the FT Plus version

The connection diagram for the system (see page 8 – 9) is designed to make planning and installation easier. Our support team will be happy to help you with any further questions you may have.

Possible profile: Profile 0

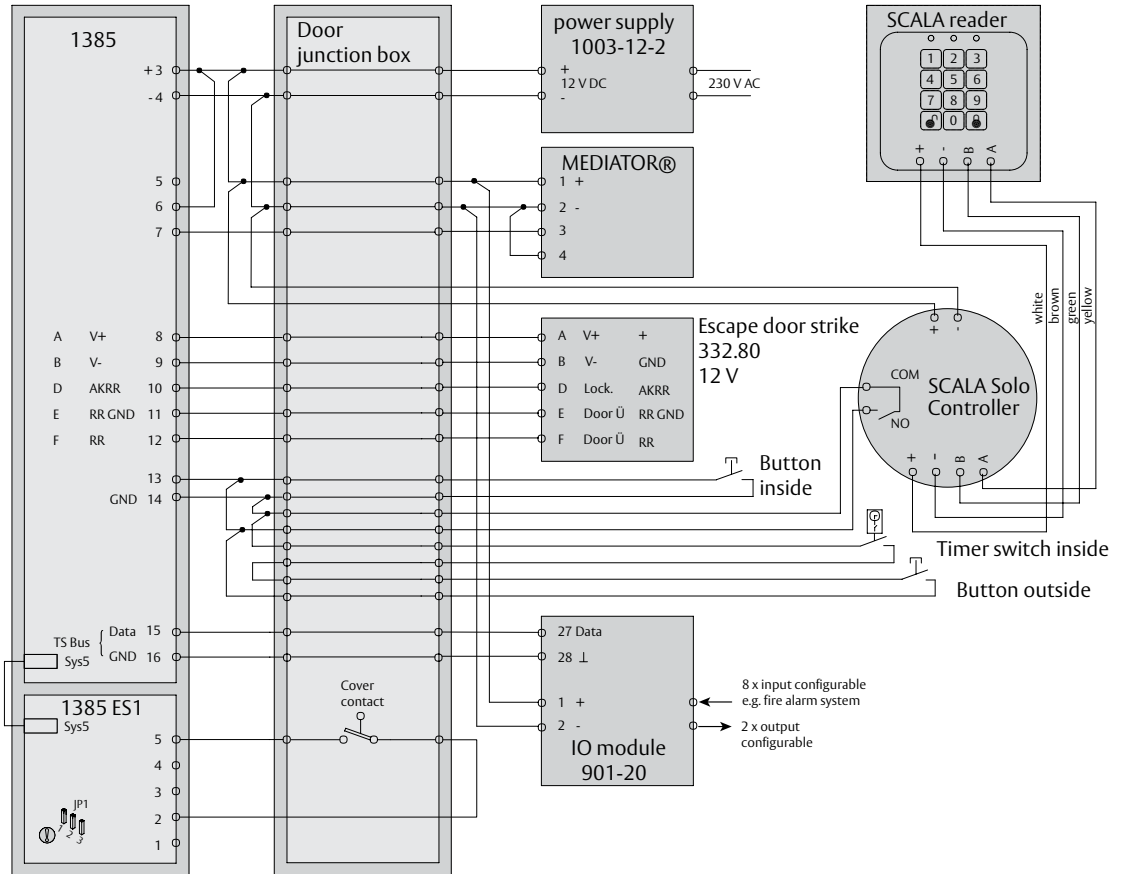


FTT010

Escape door locking device for nursery schools with MEDIATOR® panic lock and authorized access via access control system SCALA web/Data on Card in the FT Plus version

The connection diagram for the system (see page 10 – 11) is designed to make planning and installation easier. Our support team will be happy to help you with any further questions you may have.

Possible profile: Profile 0



ASSA ABLOY is the global
leader in door opening solutions,
dedicated to satisfying
end-user needs for security,
safety and convenience

ASSA ABLOY

ASSA ABLOY
Sicherheitstechnik GmbH

Bildstockstraße 20
72458 Albstadt
GERMANY
Tel. +49 7431 123-700
Fax +49 7431 123-258
albstadt@assaabloy.com

www.assaabloy.de

Subject to technical changes.
2.1901-146.0C0.00 0.5_09/16